



US00D854152S

(12) **United States Design Patent**
Miller et al.

(10) **Patent No.:** **US D854,152 S**
(45) **Date of Patent:** **** Jul. 16, 2019**

- (54) **SURGICAL STAPLER**
- (71) Applicant: **Ethicon LLC**, Guaynabo, PR (US)
- (72) Inventors: **Christopher C. Miller**, Loveland, OH (US); **Frederick E. Shelton, IV**, Hillsboro, OH (US)
- (73) Assignee: **Ethicon LLC**, Guaynabo, PR (US)
- (**) Term: **15 Years**
- (21) Appl. No.: **29/660,436**
- (22) Filed: **Aug. 21, 2018**

Related U.S. Application Data

- (62) Division of application No. 29/584,327, filed on Nov. 14, 2016, now Pat. No. Des. 830,550.
- (51) **LOC (11) Cl.** **24-02**
- (52) **U.S. Cl.**
USPC **D24/145**
- (58) **Field of Classification Search**
USPC D24/145
CPC . A61B 17/068; A61B 17/105; A61B 17/1155;
A61B 17/115
See application file for complete search history.

References Cited

U.S. PATENT DOCUMENTS

- 7,168,604 B2 * 1/2007 Milliman A61B 17/115
227/175.1
- 7,364,060 B2 * 4/2008 Milliman A61B 17/068
227/175.1
- 8,453,906 B2 * 6/2013 Huang A61B 17/1155
227/175.2
- D700,325 S * 2/2014 Nalagatla D24/145
- 9,757,133 B2 * 9/2017 Latimer A61B 17/105
- 2015/0366562 A1 * 12/2015 Williams A61B 17/1155
227/175.1

- 2016/0242785 A1 * 8/2016 Prior A61B 17/115
- 2016/0374665 A1 * 12/2016 DiNardo A61B 17/068
227/175.2
- 2016/0374669 A1 * 12/2016 Overmyer A61B 17/068
227/176.1

(Continued)

Primary Examiner — Wan Laymon

(74) *Attorney, Agent, or Firm* — Frost Brown Todd LLC

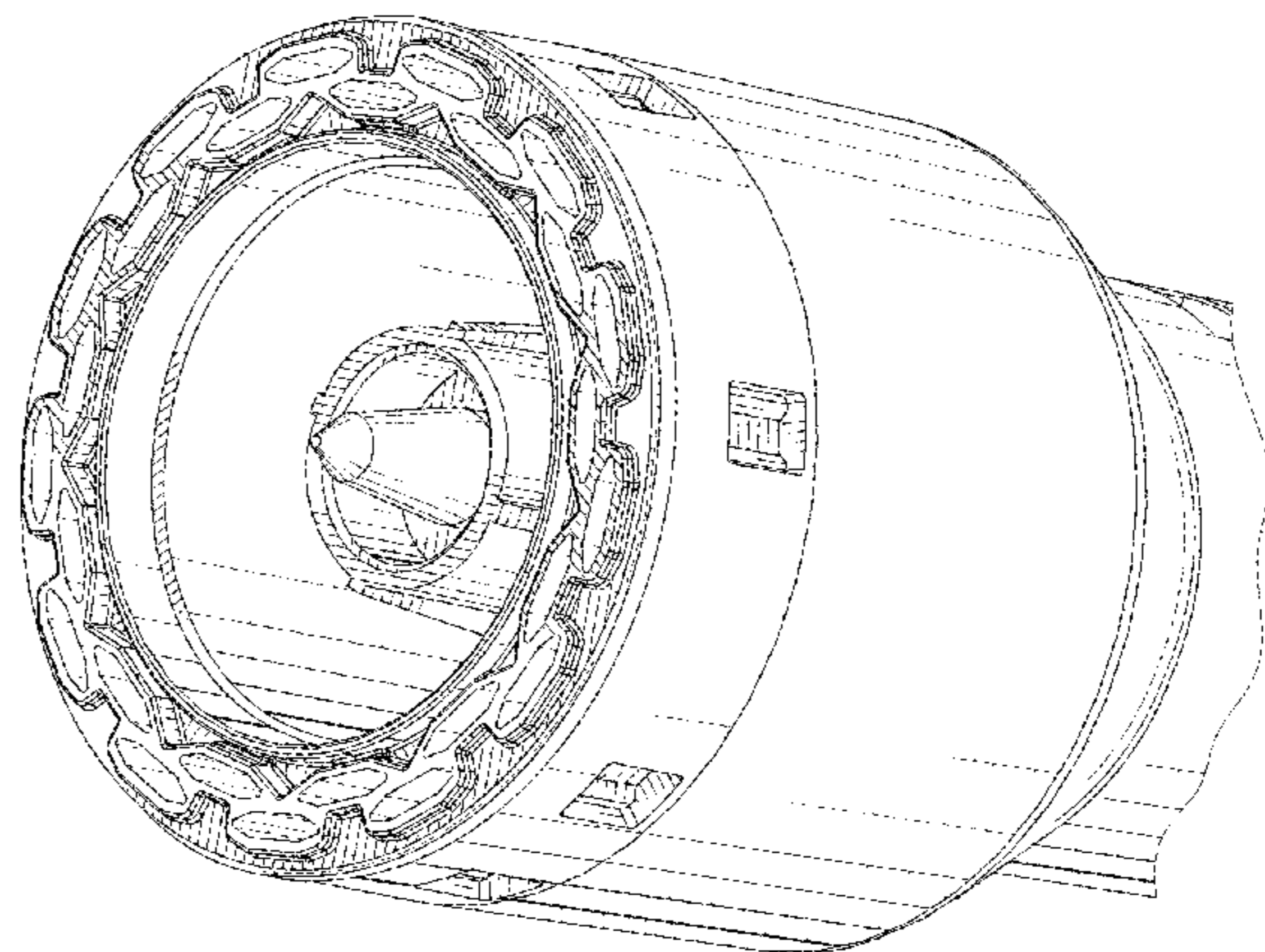
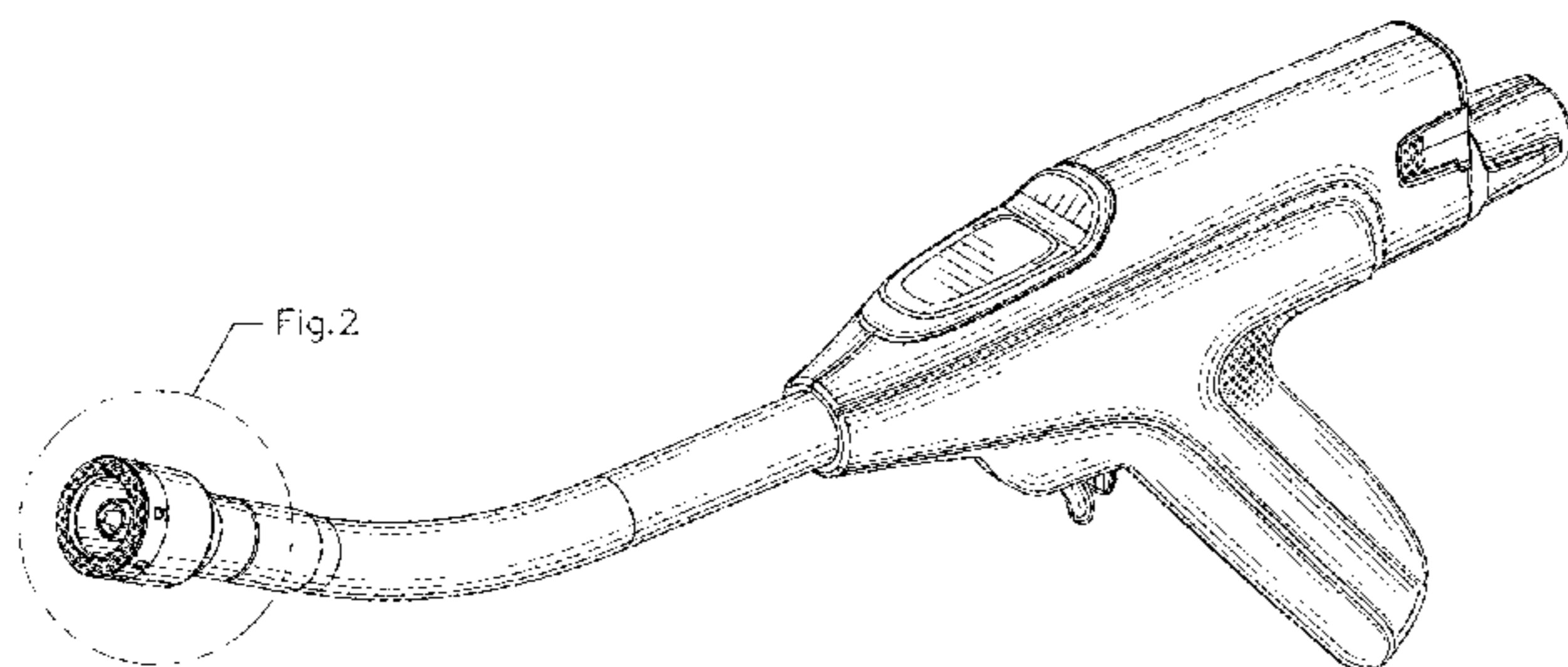
(57) **CLAIM**

The ornamental design for a surgical stapler, as shown and described.

DESCRIPTION

FIG. 1 is a top perspective view of a surgical stapler, showing our new design;
 FIG. 2 is an enlarged perspective view of a distal portion of the surgical stapler of FIG. 1;
 FIG. 3 is a rear perspective view of the surgical stapler of FIG. 1;
 FIG. 4 is a right elevational view of the surgical stapler of FIG. 1;
 FIG. 5 is an enlarged plan view of a distal portion of the surgical stapler of FIG. 1, viewed from the plane 5-5 of FIG. 4;
 FIG. 6 is an enlarged right elevational view of a distal portion of the surgical stapler of FIG. 1;
 FIG. 7 is a left elevational view of the surgical stapler of FIG. 1;
 FIG. 8 is a front elevational view of the surgical stapler of FIG. 1;
 FIG. 9 is a rear elevational view of the surgical stapler of FIG. 1;
 FIG. 10 is a top plan view of the surgical stapler of FIG. 1; and,
 FIG. 11 is a bottom plan view of the surgical stapler of FIG. 1.
 The broken lines shown in the figures are included for the purpose of illustrating portions of the surgical stapler and form no part of the claimed design.

1 Claim, 10 Drawing Sheets



(56)

References Cited

U.S. PATENT DOCUMENTS

2017/0086822 A1* 3/2017 Scheib A61B 17/1155
2017/0258471 A1* 9/2017 DiNardo A61B 17/068
2018/0132848 A1* 5/2018 Miller A61B 17/1155

* cited by examiner

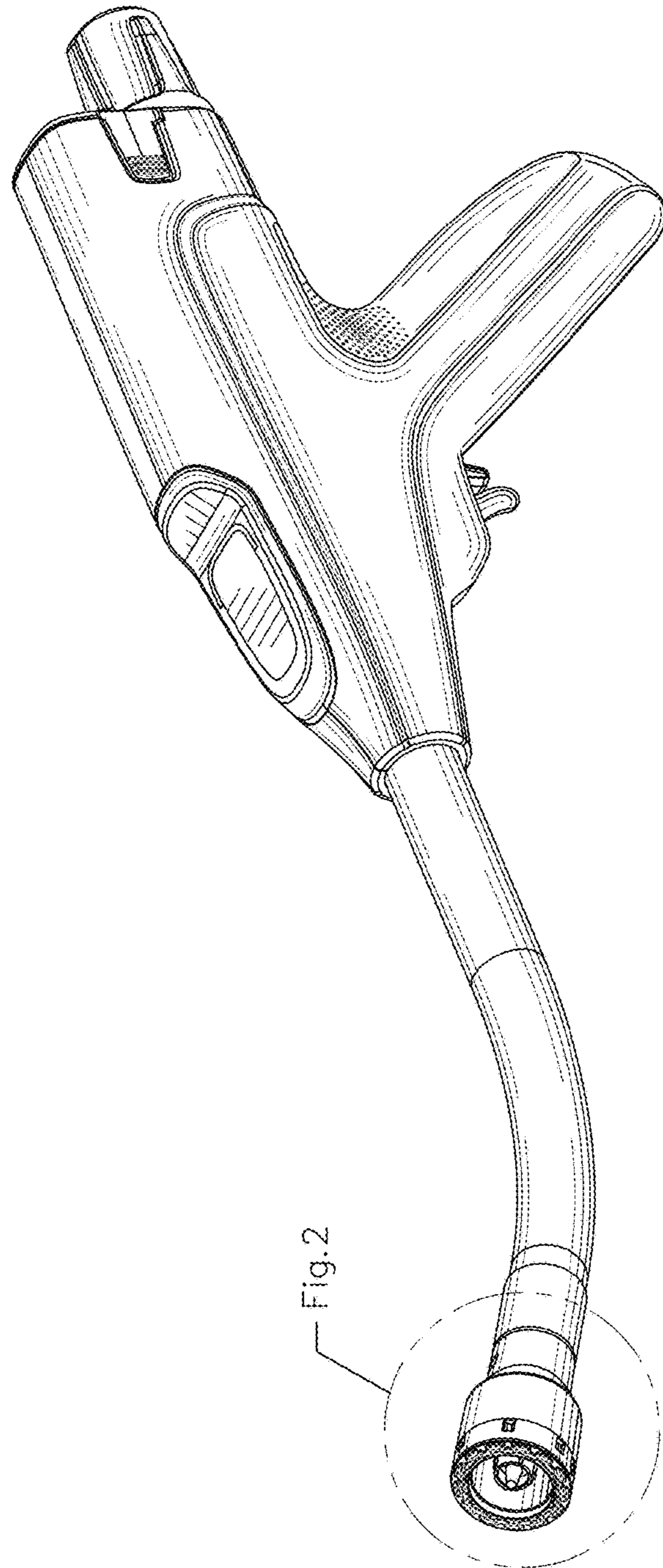


Fig. 1

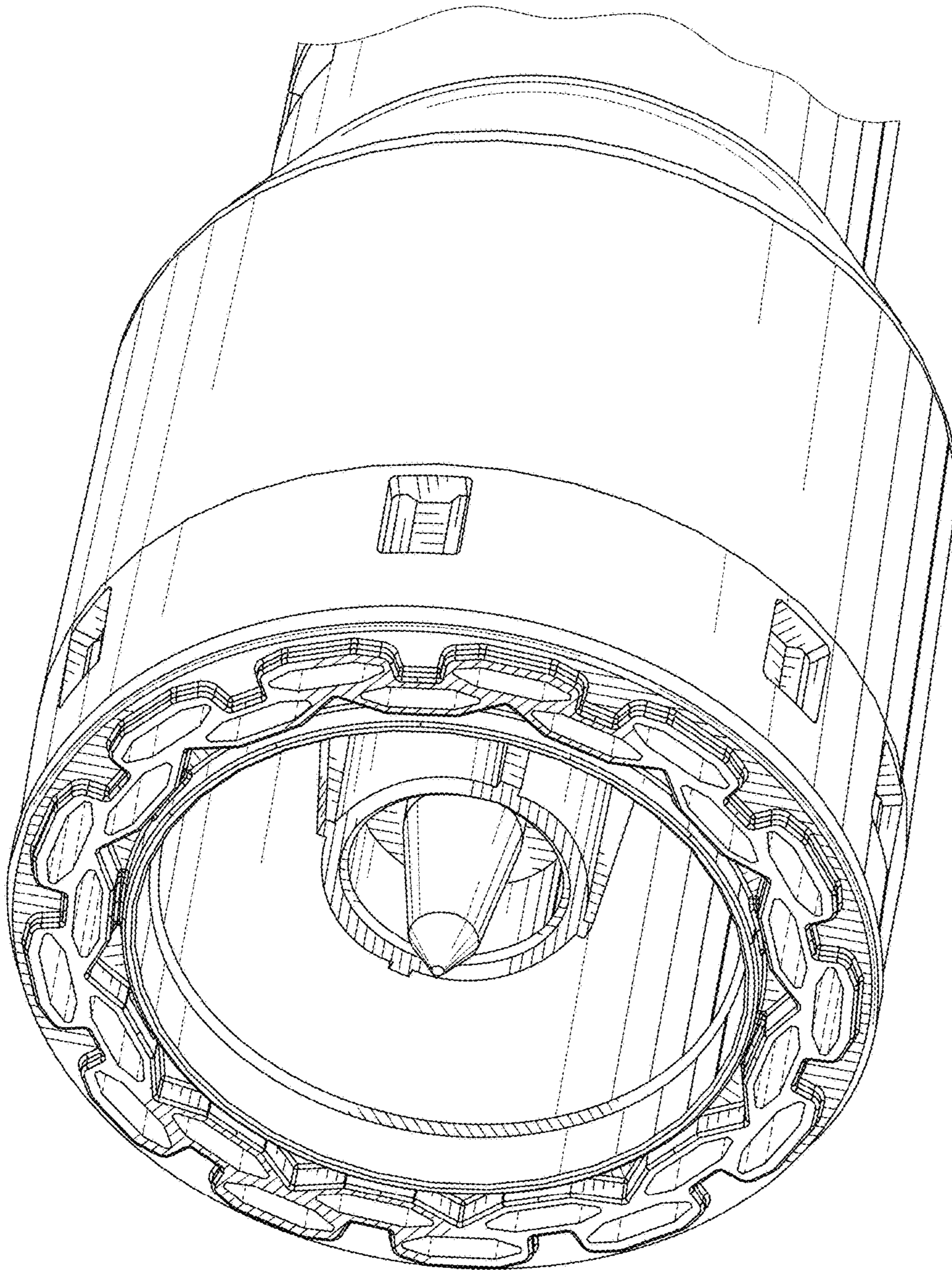


Fig. 2

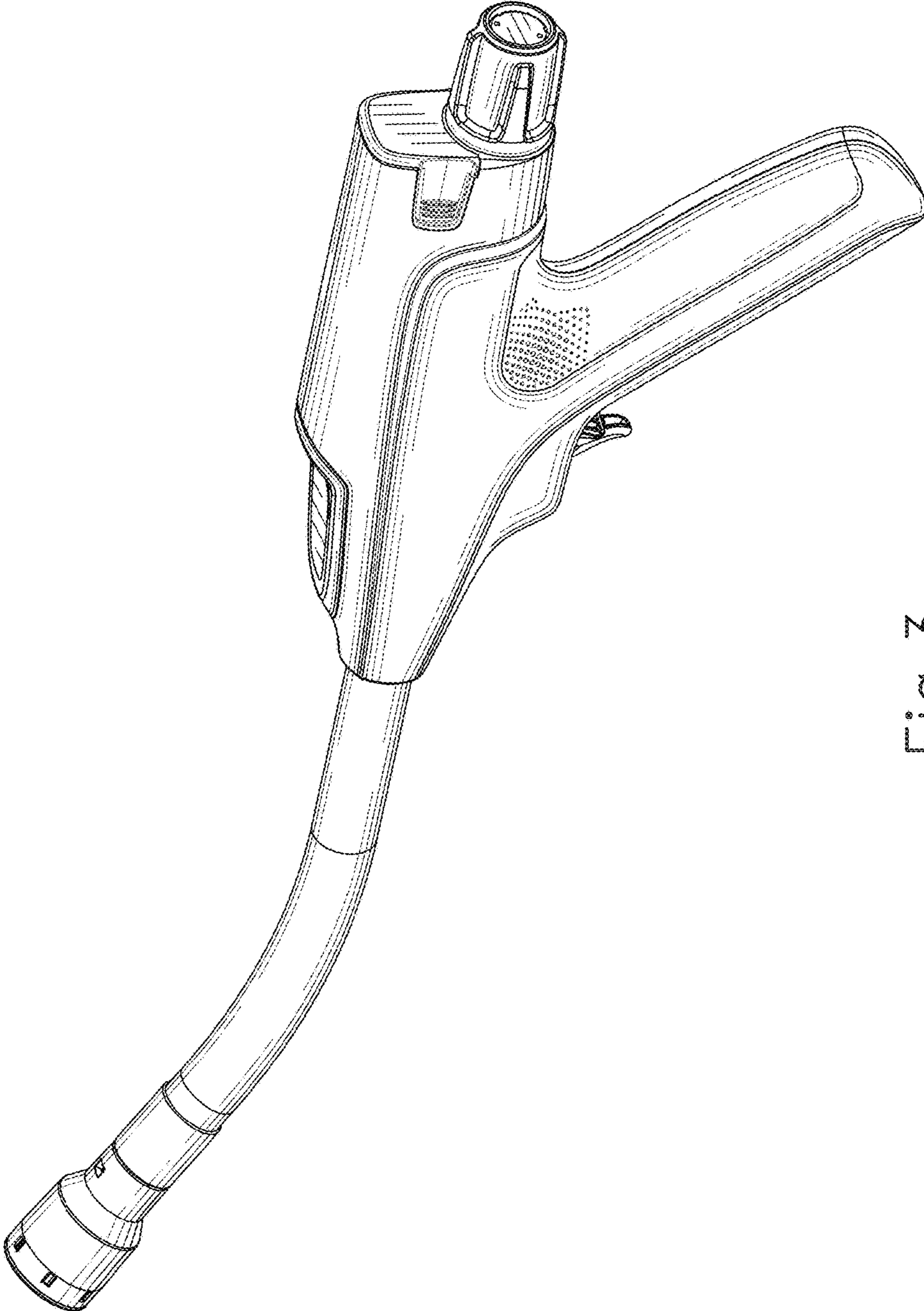


Fig. 3

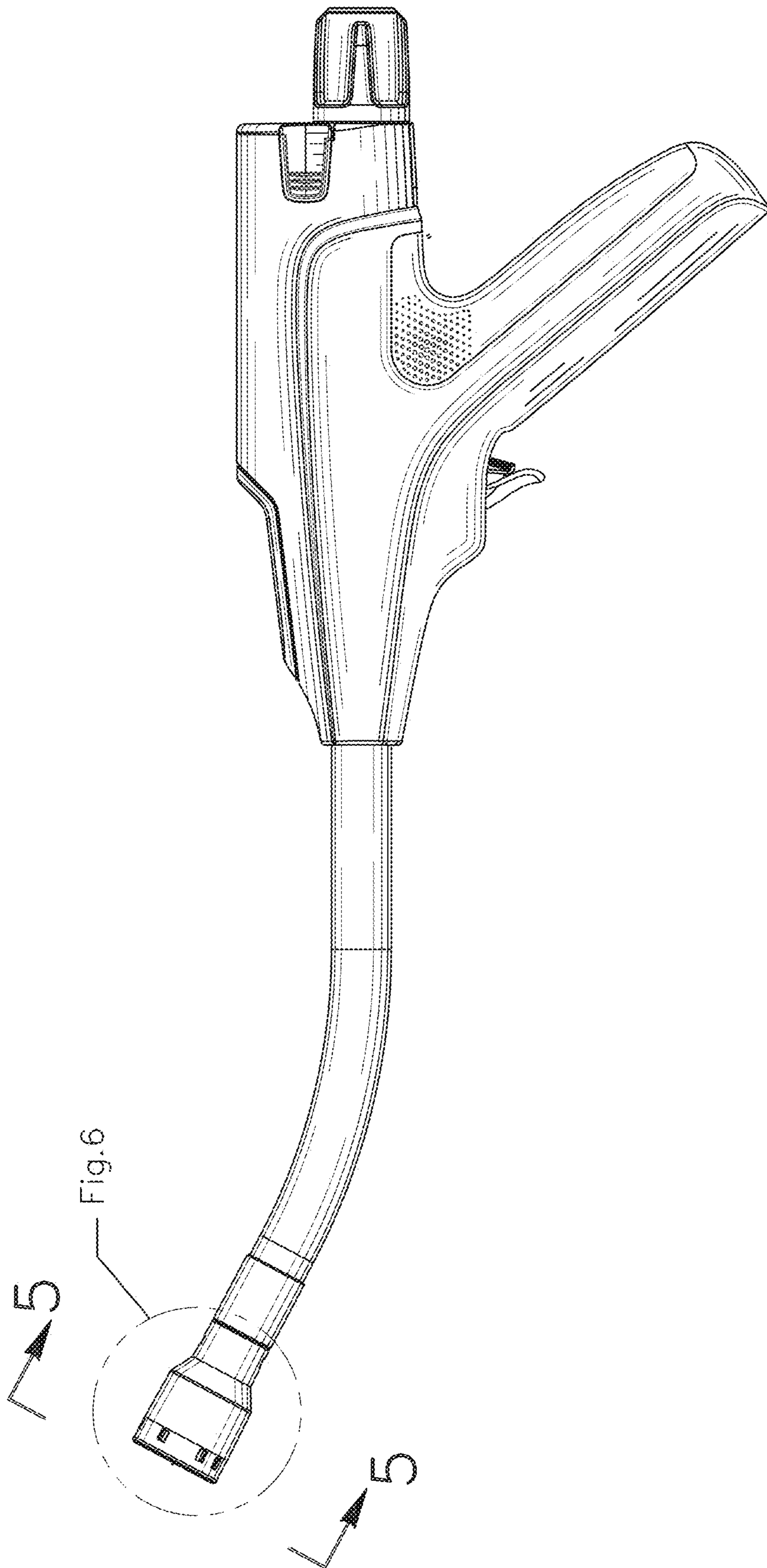


Fig. 4

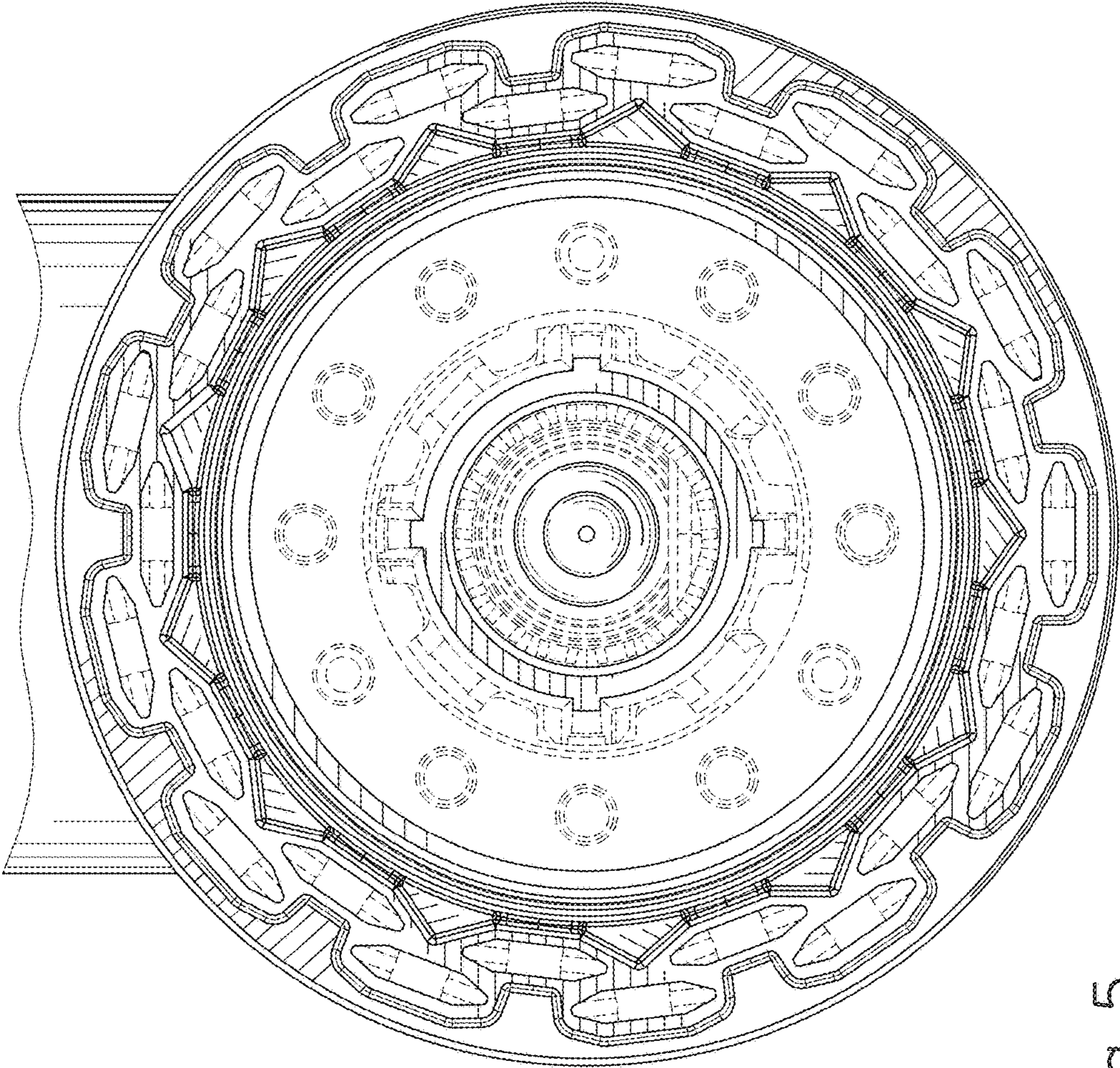


Fig. 5

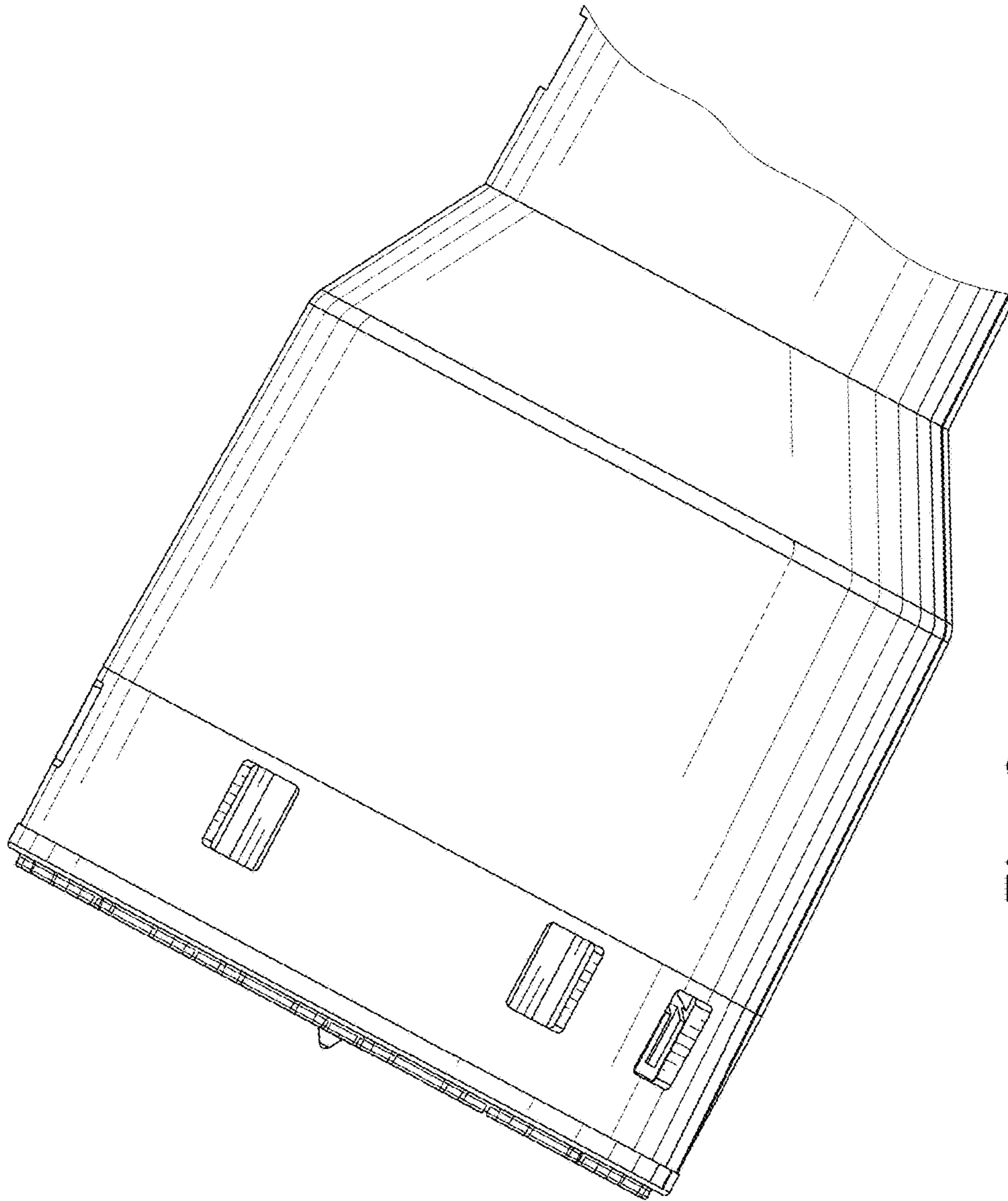


Fig.6

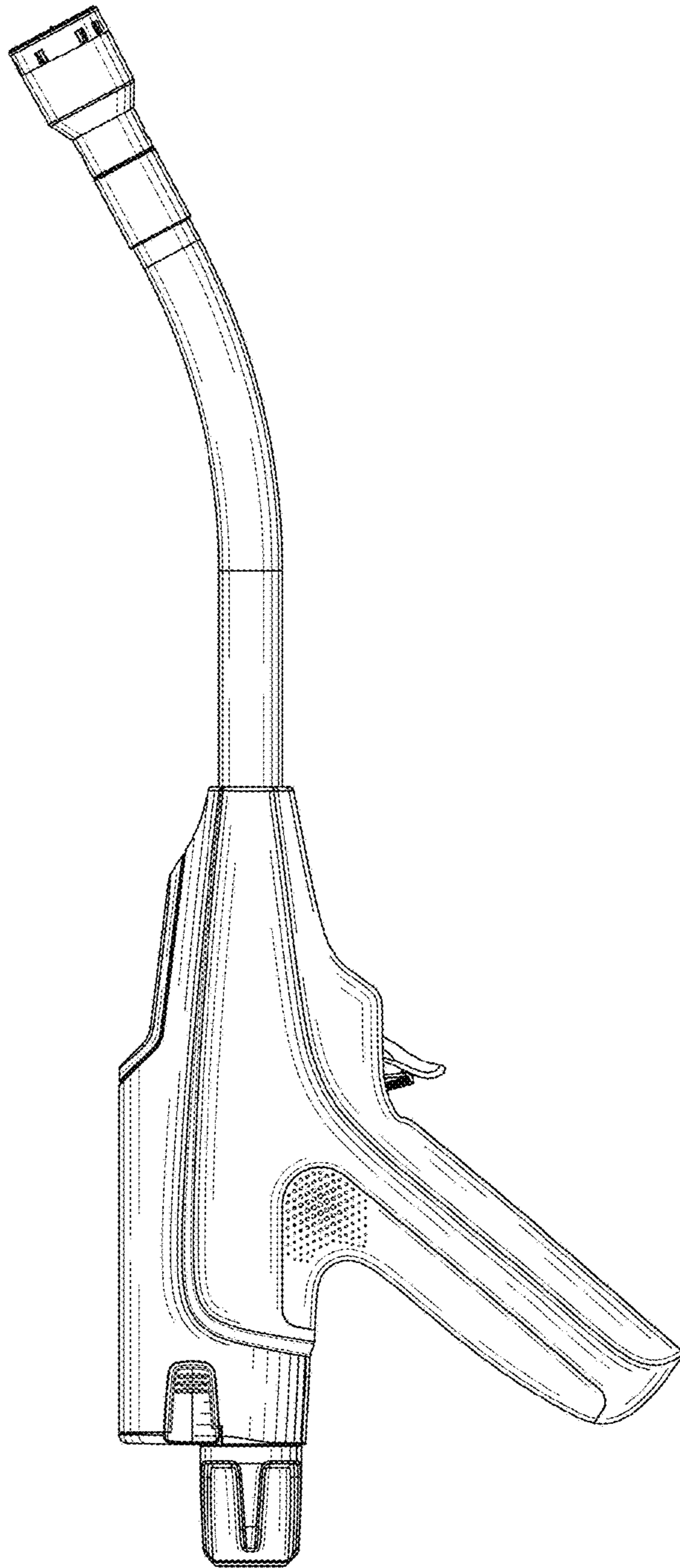


Fig. 7

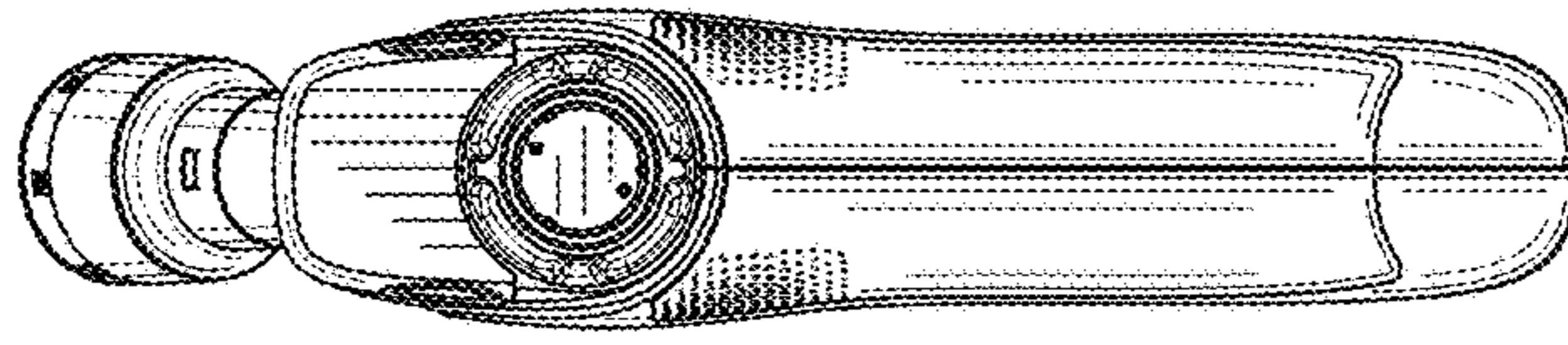


Fig. 9

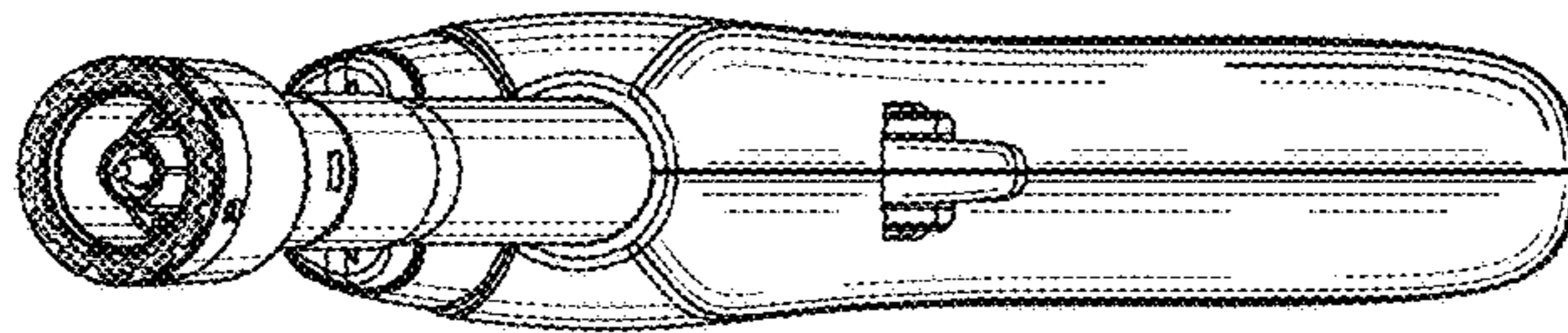


Fig. 8

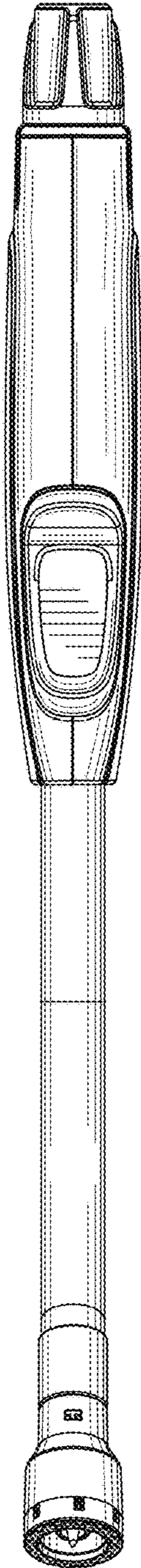


Fig. 10

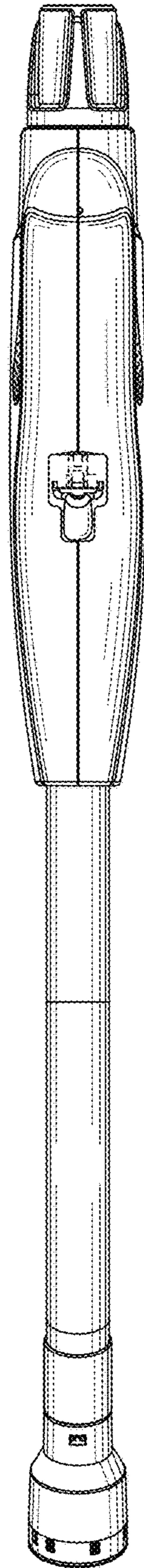


Fig. 11