



US00D854150S

(12) **United States Design Patent**
Carter et al.

(10) **Patent No.:** **US D854,150 S**
(45) **Date of Patent:** **** Jul. 16, 2019**

(54) **SURGICAL PORTAL DRIVER**

FOREIGN PATENT DOCUMENTS

- (71) Applicant: **Medovex Corp.**, Cumming, GA (US)
- (72) Inventors: **Robert D. Carter**, Apple Valley, MN (US); **Jacob Blank**, Minneapolis, MN (US); **Scott M. W. Haufe**, Niceville, FL (US)
- (73) Assignee: **Medovex Corp.**, Cumming, GA (US)
- (**) Term: **15 Years**
- (21) Appl. No.: **29/631,173**
- (22) Filed: **Dec. 28, 2017**

CN	2064221	10/1990
CN	102641152	8/2012
CN	202637105	1/2013

OTHER PUBLICATIONS

International Search Report and the Written Opinion of the International Searching Authority corresponding to International Patent Application No. PCT/US2015/040867 (24 pages) (dated Jan. 4, 2015).

Primary Examiner — Wan Laymon
(74) *Attorney, Agent, or Firm* — Myers Bigel, P.A.

Related U.S. Application Data

- (62) Division of application No. 29/553,207, filed on Jan. 29, 2016, now Pat. No. Des. 810,290.
- (51) **LOC (11) Cl.** **24-02**
- (52) **U.S. Cl.**
USPC **D24/144**
- (58) **Field of Classification Search**
USPC D24/144, 170, 146, 133, 127-128
CPC A61B 17/1684
See application file for complete search history.

(57) **CLAIM**

The ornamental design for a surgical portal driver, as shown and described.

DESCRIPTION

FIG. 1 is a front perspective view of a surgical portal driver showing our design;
 FIG. 2 is a bottom perspective view thereof;
 FIG. 3 is a top view thereof;
 FIG. 4 is a first side view thereof;
 FIG. 5 is a bottom view thereof;
 FIG. 6 is a side view thereof, opposite that shown in FIG. 4;
 FIG. 7 is another side view thereof, 90 degrees offset from that shown in FIG. 6;
 FIG. 8 is another side view thereof, opposite that shown in FIG. 7; and,
 FIG. 9 is an exemplary environmental view illustrating the surgical portal driver engaged with a working portal (also known as a guide cannula) according to the present invention.
 In the drawings, the broken lines depict environmental subject matter only and form no part of the claimed design.

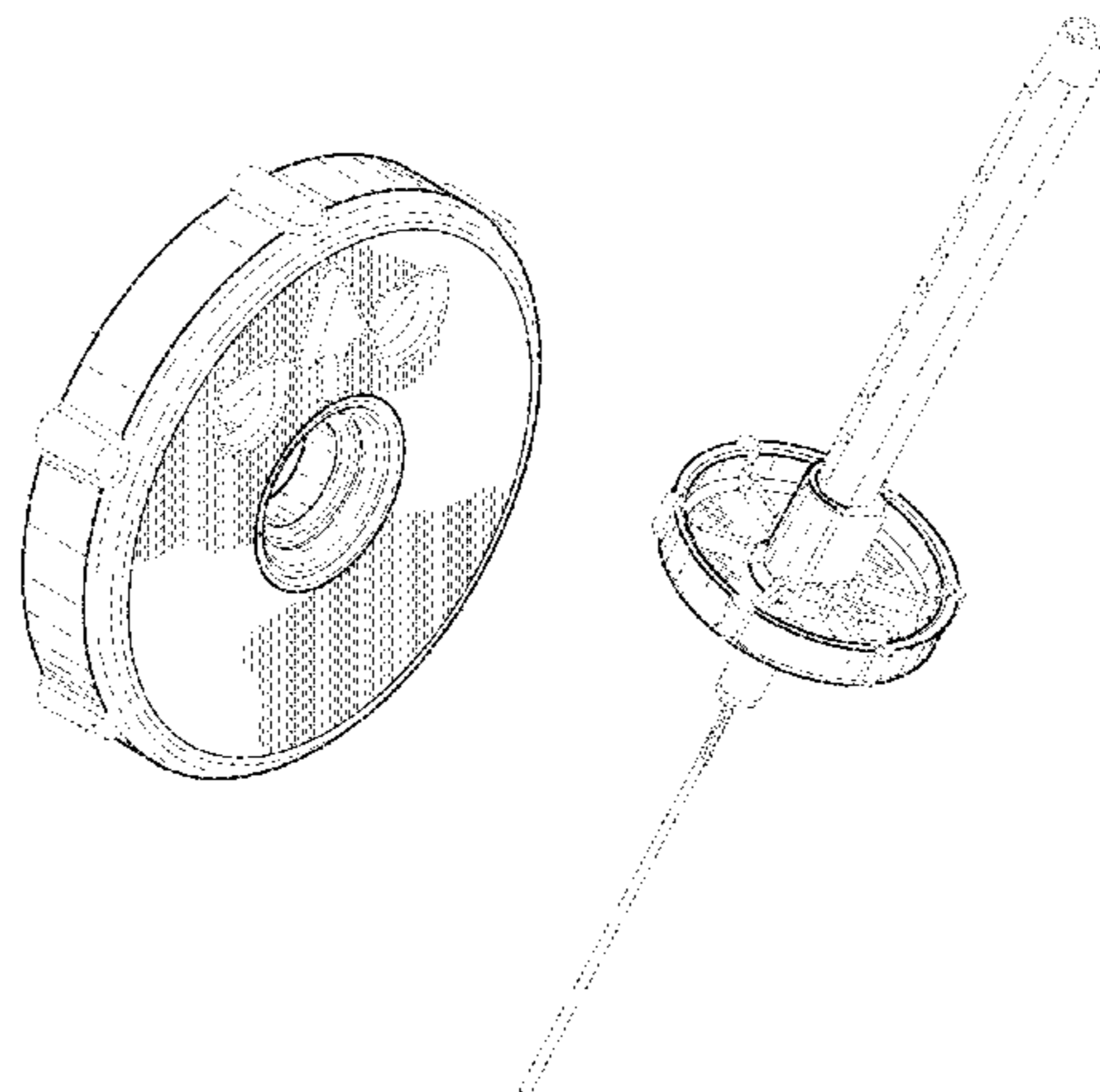
(56) **References Cited**

U.S. PATENT DOCUMENTS

2,001,638	A	5/1935	Tornsjo
2,012,362	A	8/1935	Vogel
4,002,169	A	1/1977	Cupler, II
4,314,568	A	2/1982	Loving
4,658,819	A	4/1987	Harris et al.
4,969,885	A	11/1990	Farin
4,983,179	A	1/1991	Sjostrom
4,991,578	A	2/1991	Cohen
5,364,395	A	11/1994	West, Jr.
5,545,195	A	8/1996	Lennox et al.
5,569,290	A	10/1996	McAfee

(Continued)

1 Claim, 5 Drawing Sheets



(56)

References Cited

U.S. PATENT DOCUMENTS

5,573,533 A	11/1996	Strul	8,012,153 B2	9/2011	Woloszko et al.
5,584,843 A	12/1996	Wulfman et al.	8,137,266 B2	3/2012	Judson et al.
5,618,296 A	4/1997	Sorensen et al.	8,167,879 B2	5/2012	Haufe
5,633,578 A	5/1997	Eggers et al.	8,500,727 B2	8/2013	Aramayo
5,693,045 A	12/1997	Eggers	9,883,882 B2 *	2/2018	Haufe A61B 17/3421
5,807,395 A	9/1998	Mulier et al.	9,980,771 B2 *	5/2018	Carter A61B 18/1482
5,849,023 A	12/1998	Mericle	2002/0165549 A1	11/2002	Owusu-Akyaw et al.
5,855,576 A	1/1999	LeVeen et al.	2003/0153926 A1	8/2003	Schmieding et al.
5,865,810 A	2/1999	Perry et al.	2003/0195392 A1	10/2003	Hamel et al.
5,904,681 A	5/1999	West, Jr.	2004/0078037 A1	4/2004	Batchelor et al.
5,957,863 A	9/1999	Koblish et al.	2005/0245923 A1	11/2005	Christopherson et al.
6,142,992 A	11/2000	Cheng et al.	2006/0058780 A1	3/2006	Edwards et al.
6,214,001 B1	4/2001	Casscells et al.	2006/0095059 A1	5/2006	Bleich et al.
6,406,424 B1	6/2002	Williamson, IV et al.	2006/0178670 A1	8/2006	Woloszko et al.
6,416,490 B1	7/2002	Ellis et al.	2007/0049920 A1	3/2007	McClurken et al.
6,454,764 B1	9/2002	Fleenor et al.	2007/0129719 A1	6/2007	Kendale et al.
6,663,628 B2	12/2003	Peters	2007/0293724 A1	12/2007	Saadat et al.
6,770,070 B1	8/2004	Balbierz	2008/0015565 A1	1/2008	Davison
6,827,725 B2	12/2004	Batchelor et al.	2008/0161670 A1	7/2008	King et al.
7,052,494 B2	5/2006	Goble et al.	2008/0188848 A1	8/2008	Deutmeyer et al.
7,326,177 B2	2/2008	Williamson, IV et al.	2010/0145142 A1	6/2010	Begemann et al.
7,361,174 B2	4/2008	Bee et al.	2011/0087217 A1	4/2011	Yates et al.
7,942,874 B2	5/2011	Eder et al.	2014/0100567 A1	4/2014	Edwards
8,007,473 B2	8/2011	Smith et al.	2014/0324044 A1	10/2014	Haufe et al.
8,012,129 B2	9/2011	Bettuchi et al.	2016/0030106 A1	2/2016	Carter et al.
			2016/0213415 A1	7/2016	Carter et al.
			2018/0085145 A1 *	3/2018	Okoniewski A61B 17/3462

* cited by examiner

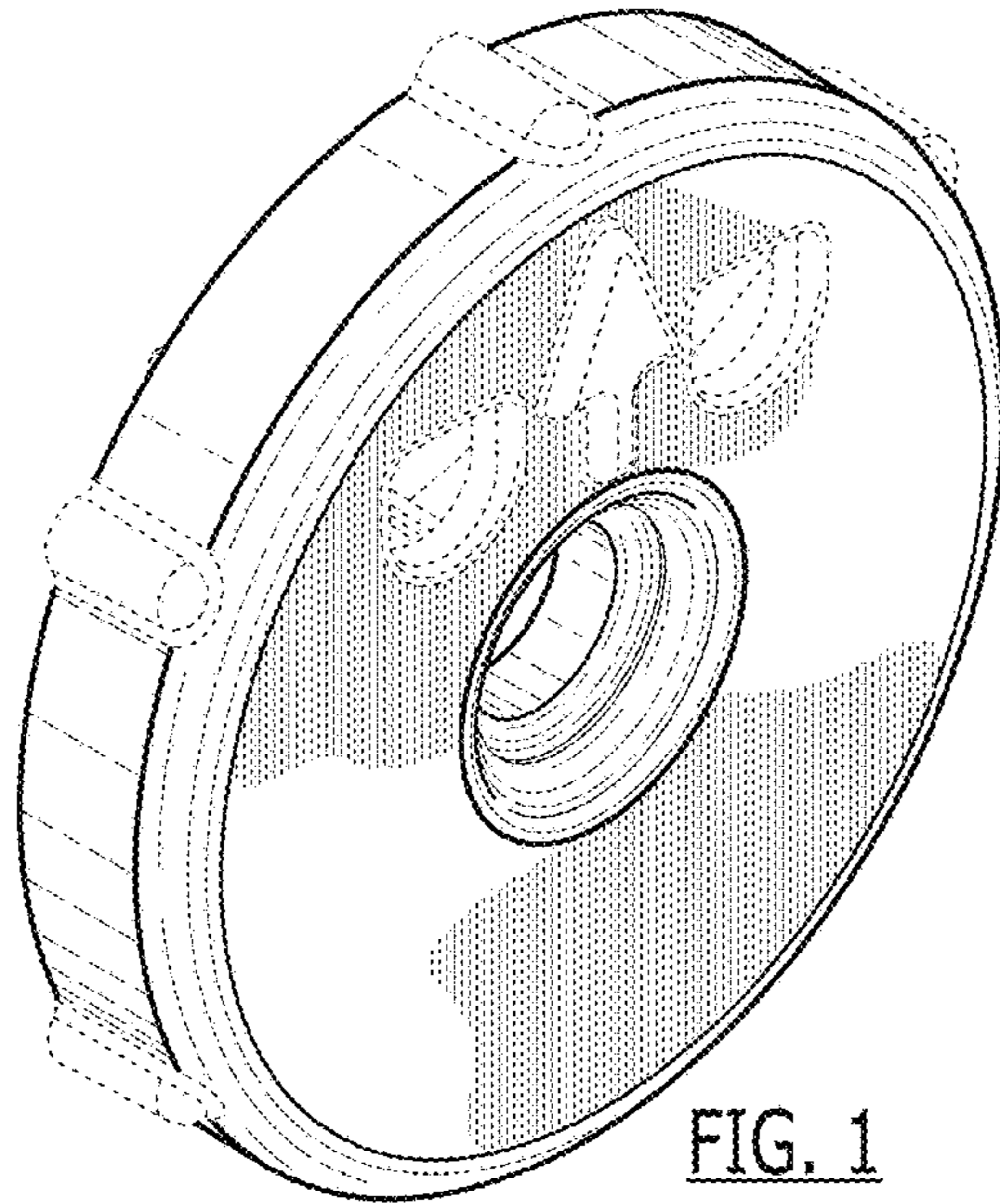


FIG. 1

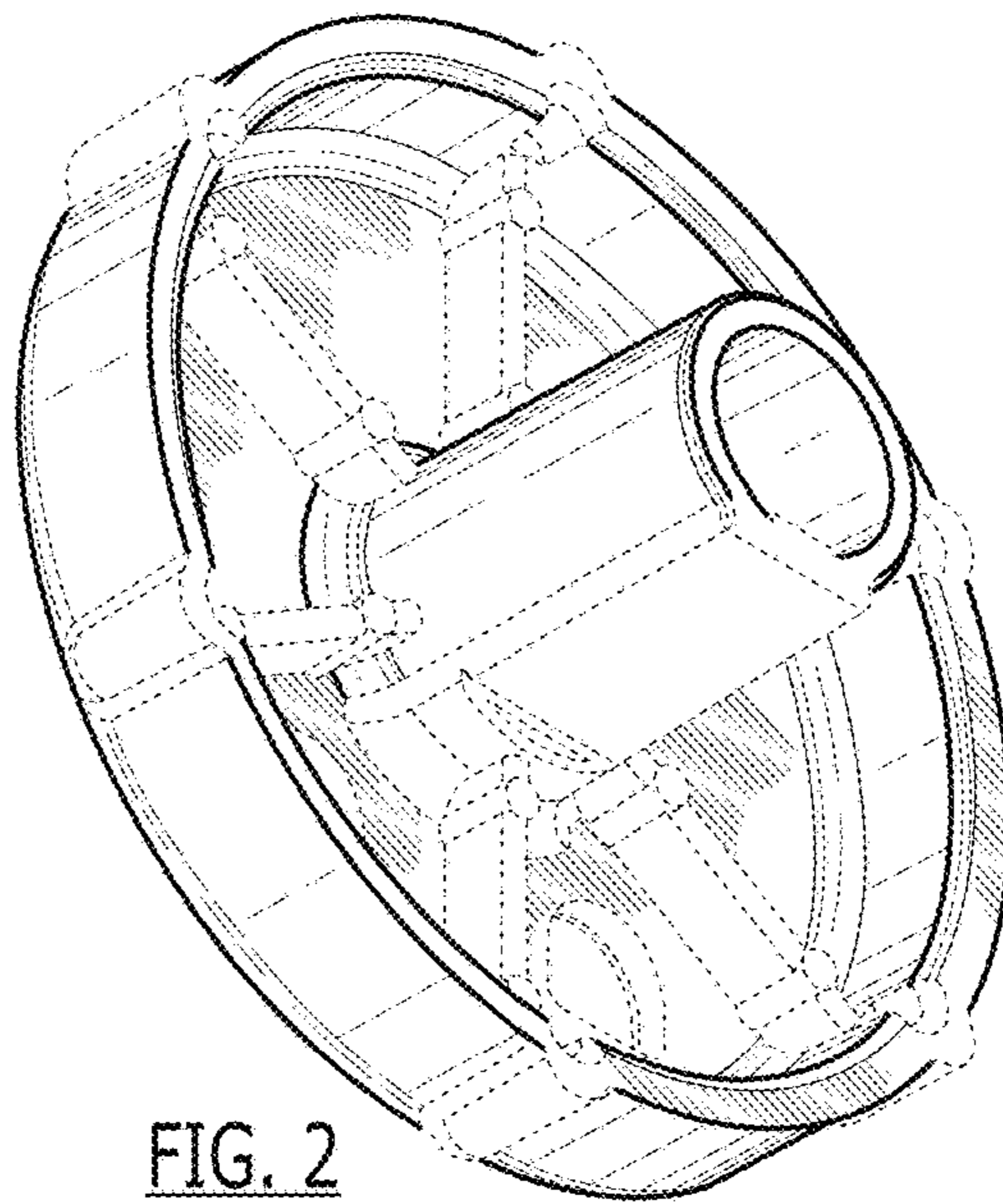


FIG. 2

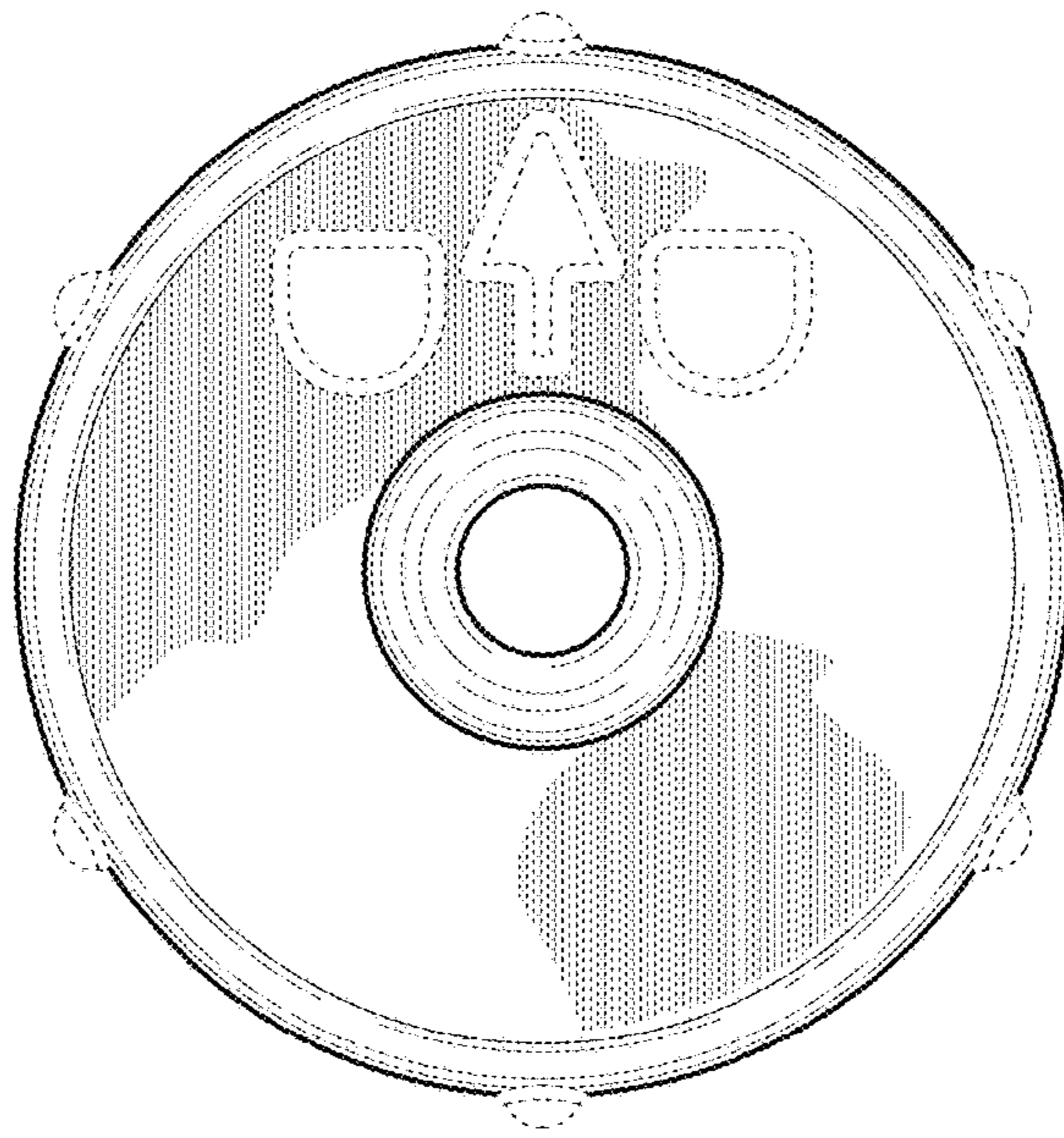


FIG. 3

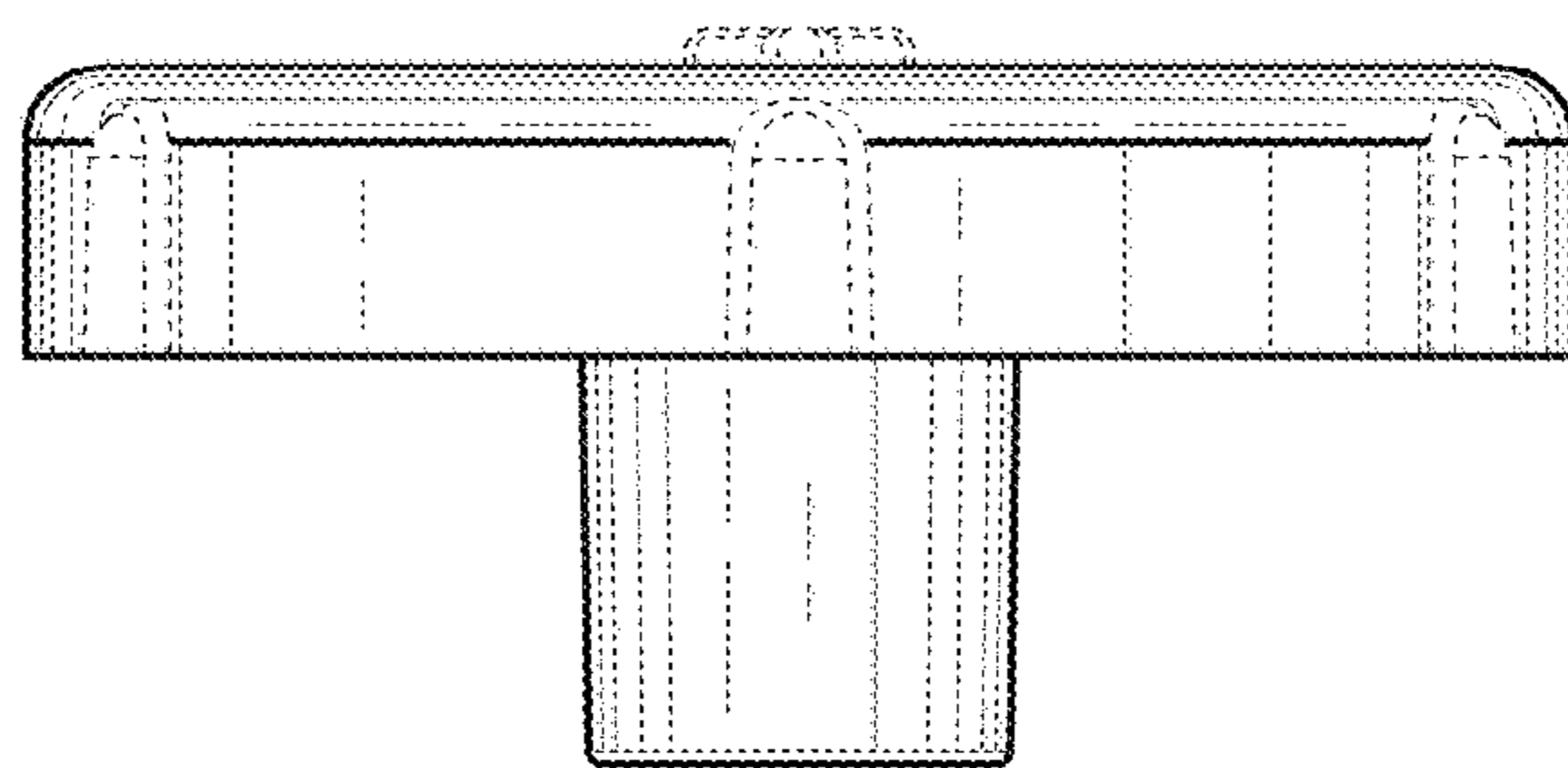


FIG. 4

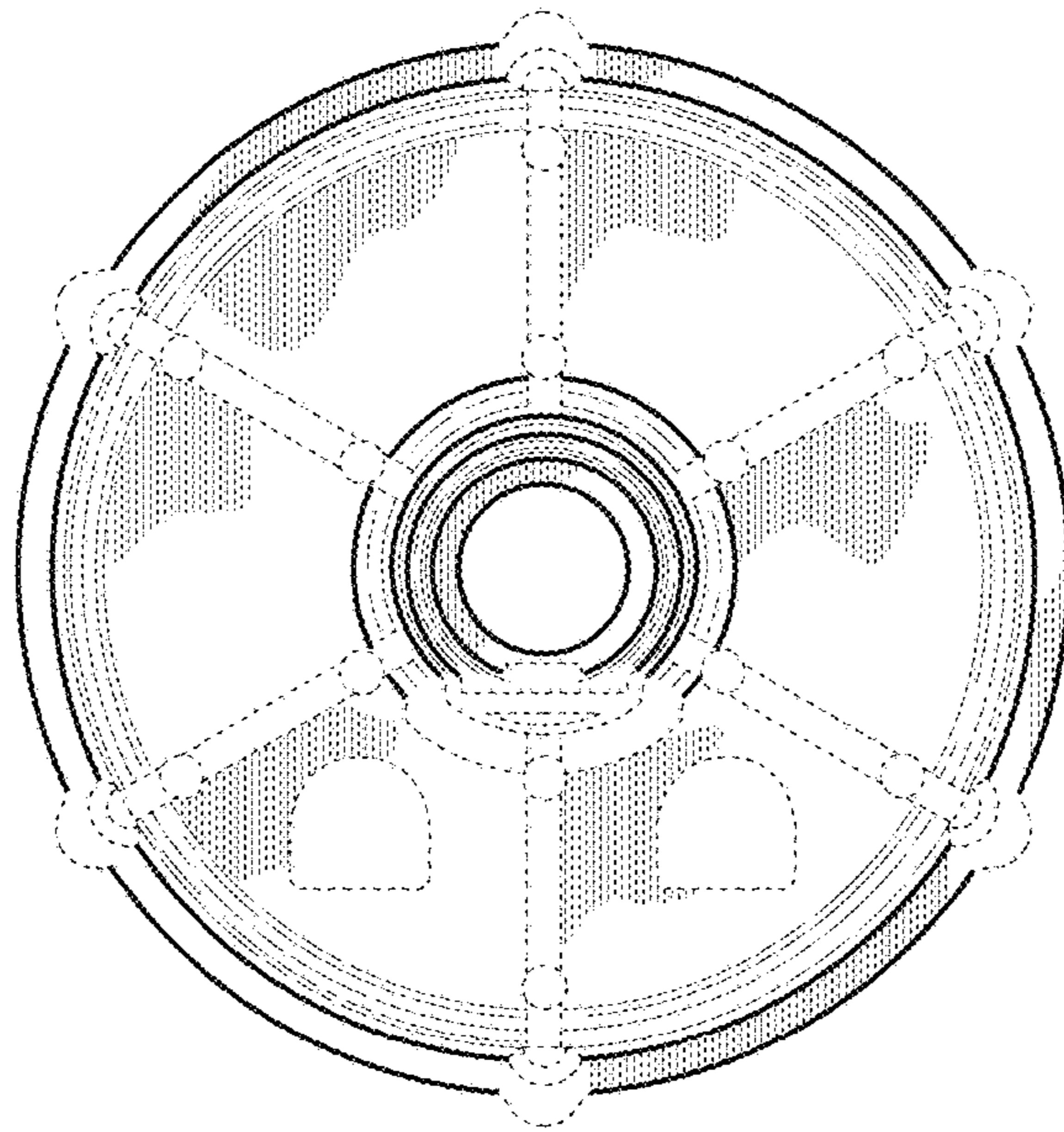


FIG. 5

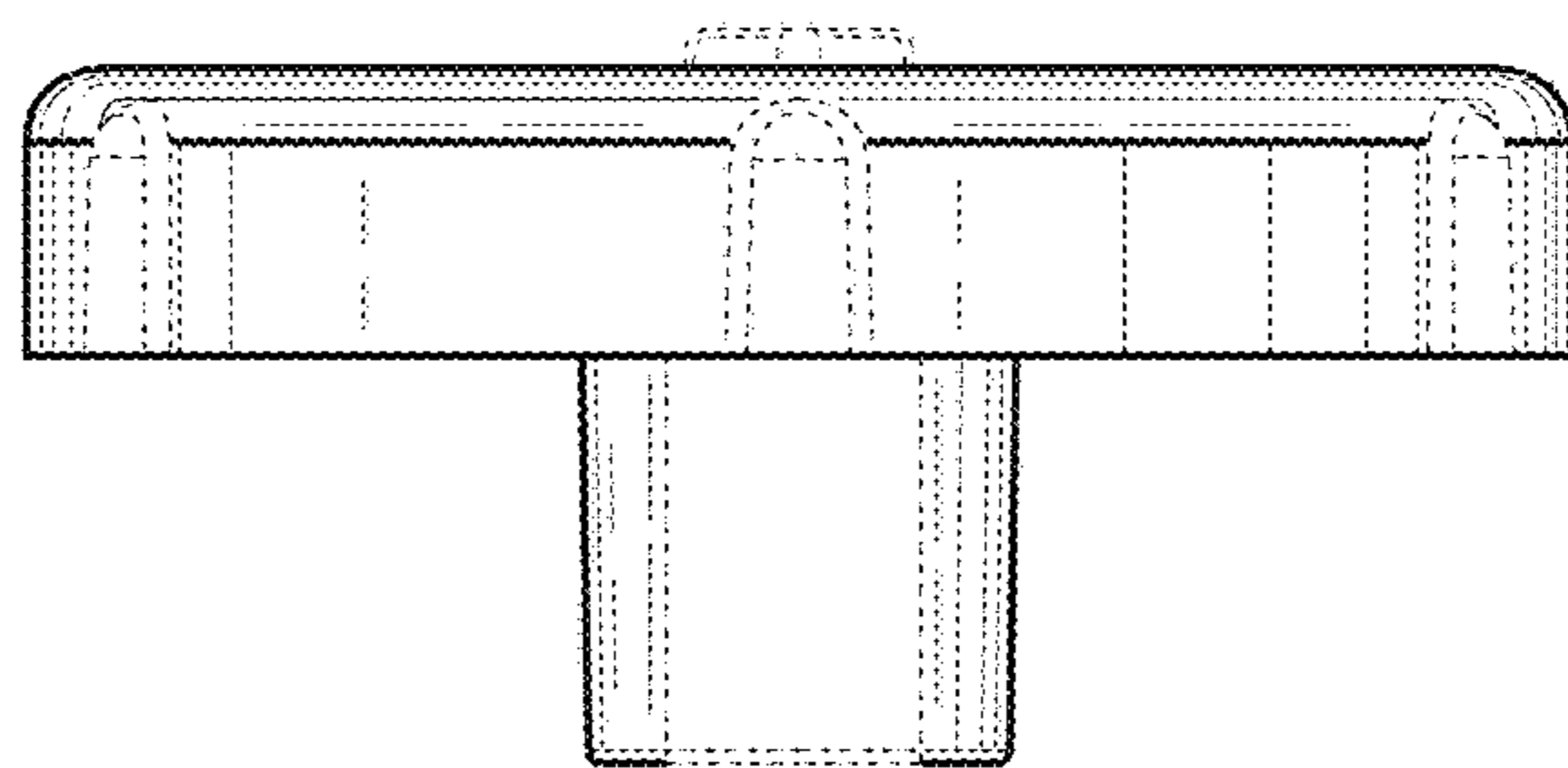
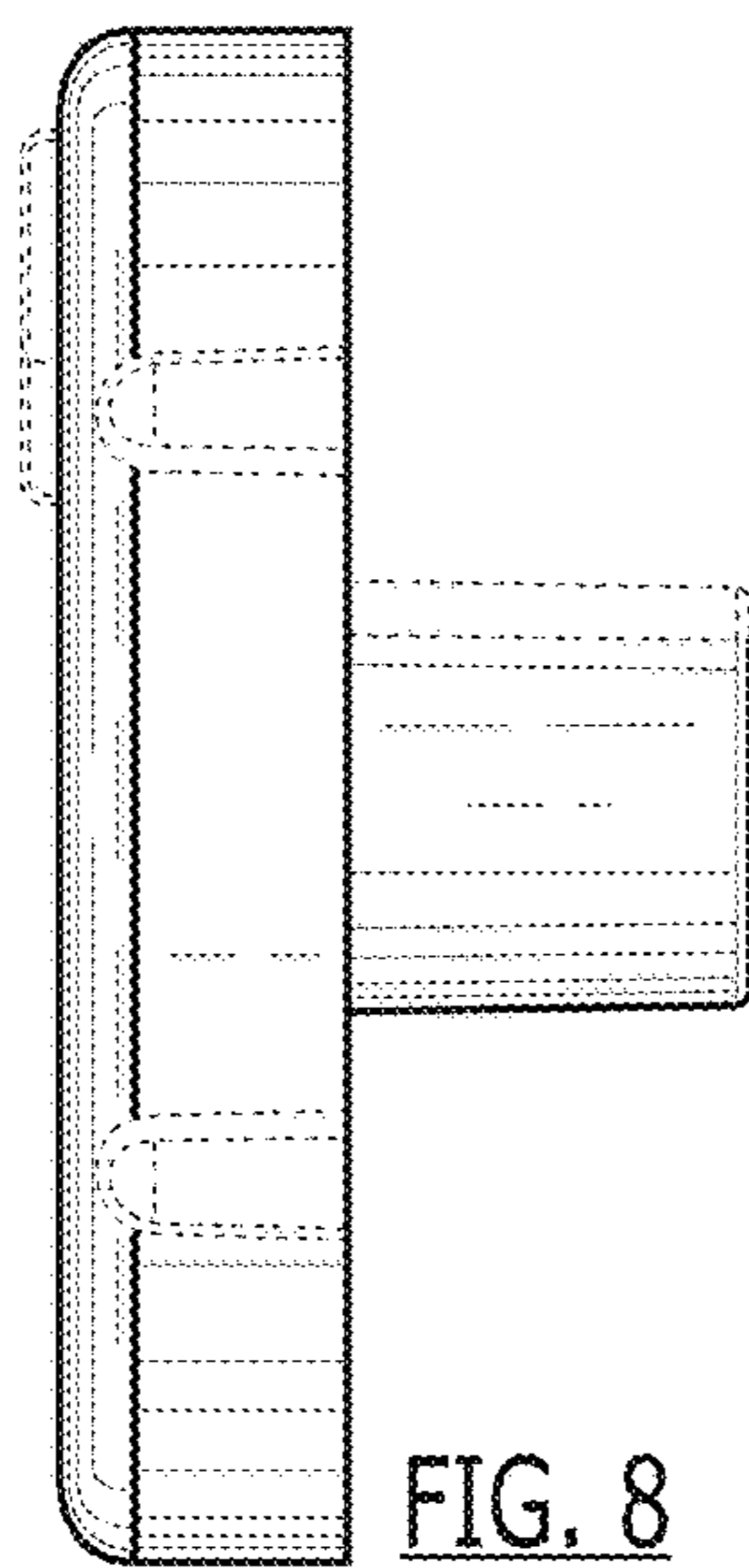
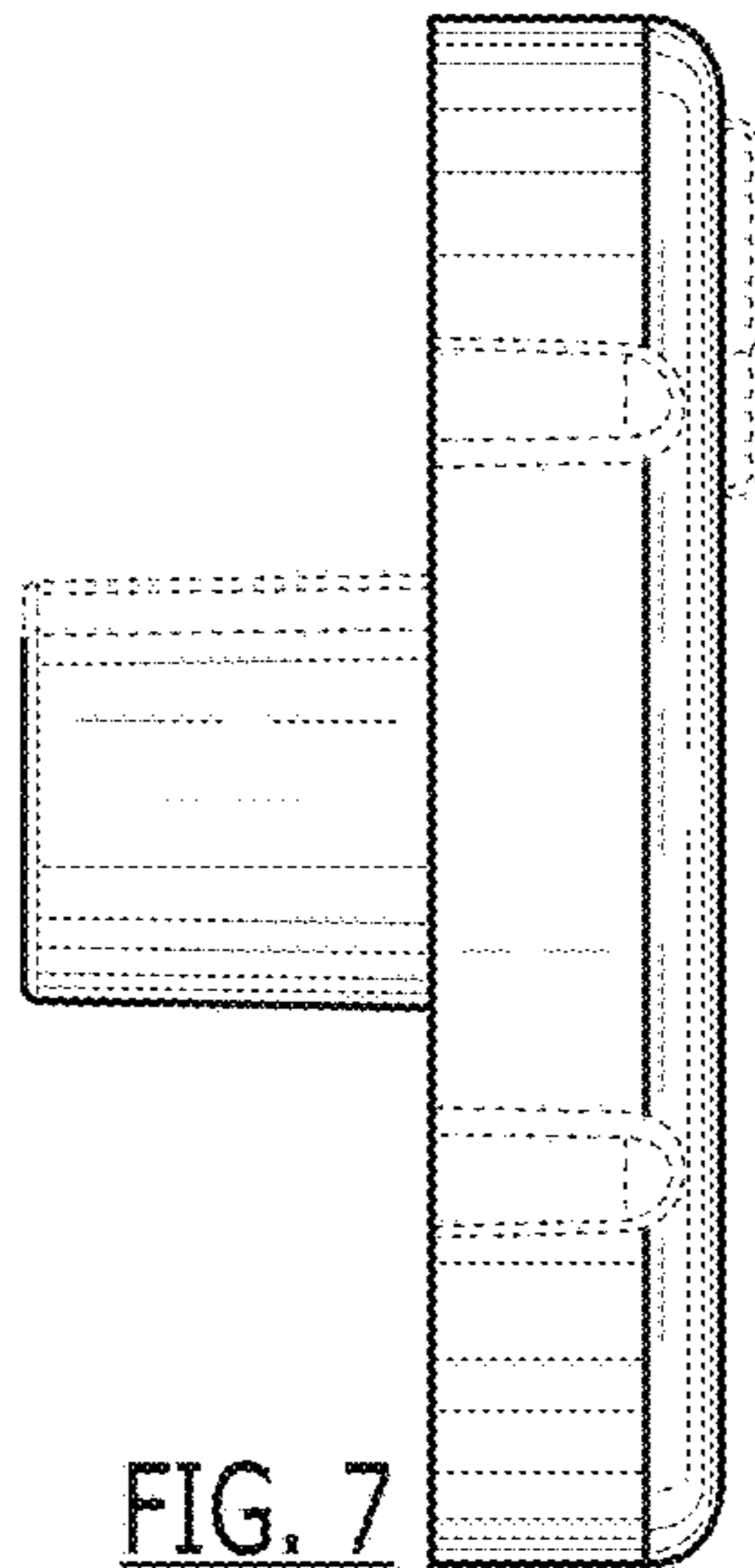


FIG. 6



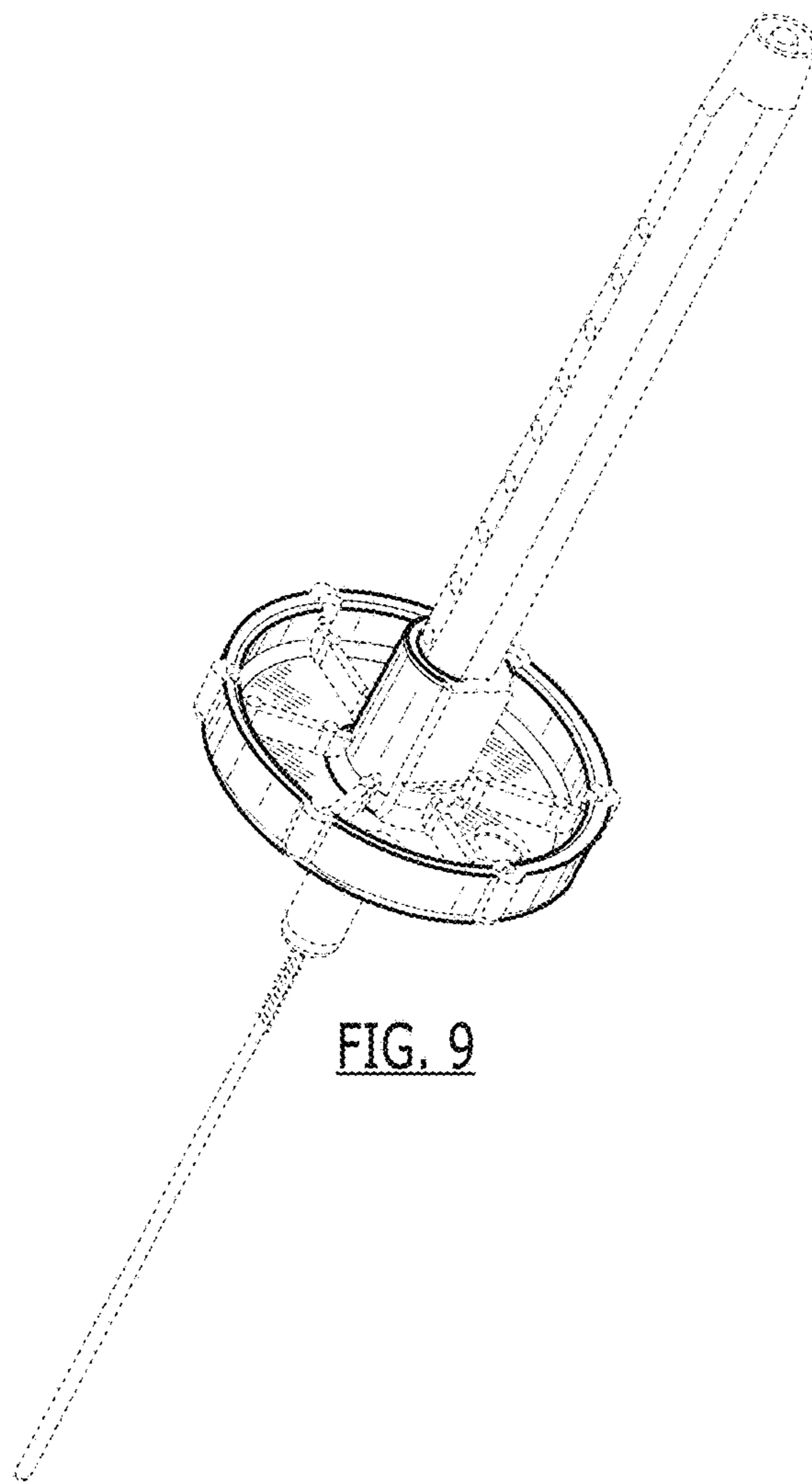


FIG. 9