



US00D854147S

(12) **United States Design Patent**
Funakoshi

(10) **Patent No.:** **US D854,147 S**
(45) **Date of Patent:** **** Jul. 16, 2019**

(54) **CONNECTOR FOR SURGICAL DEVICE**

(71) Applicant: **OLYMPUS CORPORATION**,
Hachioji-shi, Tokyo (JP)

(72) Inventor: **Yasuo Funakoshi**, Tokyo (JP)

(73) Assignee: **OLYMPUS CORPORATION**, Tokyo
(JP)

(**) Term: **15 Years**

(21) Appl. No.: **29/639,747**

(22) Filed: **Mar. 8, 2018**

(30) **Foreign Application Priority Data**

Sep. 8, 2017 (JP) 2017-019511

(51) **LOC (11) Cl.** **24-02**

(52) **U.S. Cl.**
USPC **D24/129**

(58) **Field of Classification Search**
USPC D24/127–131, 112–114, 133, 186;
606/181, 185; 604/264, 523–528, 272,
604/187, 158, 164.01–164.11, 181, 184,
604/227; 600/101, 139, 143;
128/200.24, 207.14, 207.15
CPC A61M 25/00; A61M 39/00; A61M 27/00;
A61M 25/0043; A61M 25/0067; A61M
25/0097; A61F 2/958
See application file for complete search history.

(56) **References Cited**

U.S. PATENT DOCUMENTS

D596,744 S * 7/2009 Hull, Jr. D24/133
D601,695 S * 10/2009 Crawford D24/113

D613,398 S * 4/2010 Crawford D24/130
D616,990 S * 6/2010 Suzuki D24/186
D639,421 S * 6/2011 Sano D24/118
D654,573 S * 2/2012 Lombardi D23/262
D698,440 S * 1/2014 Lombardi, III D24/129
D709,612 S * 7/2014 Lewis D24/129
D723,685 S * 3/2015 Myers A61M 37/0076
D24/133
D751,195 S * 3/2016 Lai D24/133
2010/0001516 A1 * 1/2010 Pisula, Jr. F16L 37/0982
285/311
2011/0204622 A1 * 8/2011 Lewis F16L 37/0841
285/313
2013/0264821 A1 * 10/2013 Duck F16L 37/02
285/397

* cited by examiner

Primary Examiner — David G Muller
(74) *Attorney, Agent, or Firm* — Oliff PLC

(57) **CLAIM**

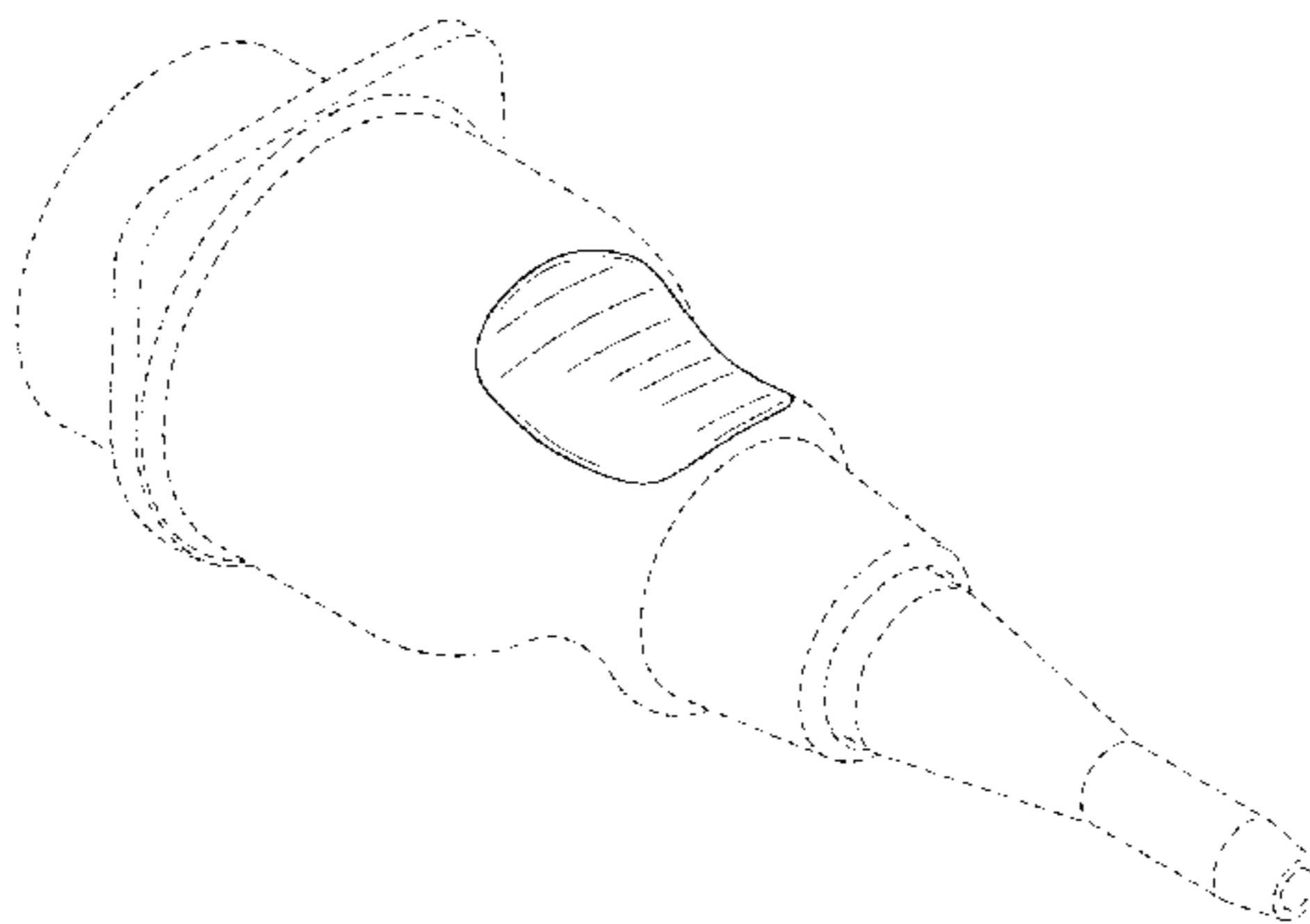
The ornamental design for a connector for surgical device,
as shown and described.

DESCRIPTION

FIG. 1 is a front, top, right side perspective view of a
connector for surgical device, showing my new design;
FIG. 2 is a front view thereof;
FIG. 3 is a rear view thereof;
FIG. 4 is a top view thereof;
FIG. 5 is a bottom view thereof;
FIG. 6 is a left side view thereof;
FIG. 7 is a right side view thereof; and,
FIG. 8 is a cross sectional view thereof, taken along the line
8-8 in FIG. 4.

The broken lines show portions of the connector for surgical
device that form no part of the claimed design.

1 Claim, 4 Drawing Sheets



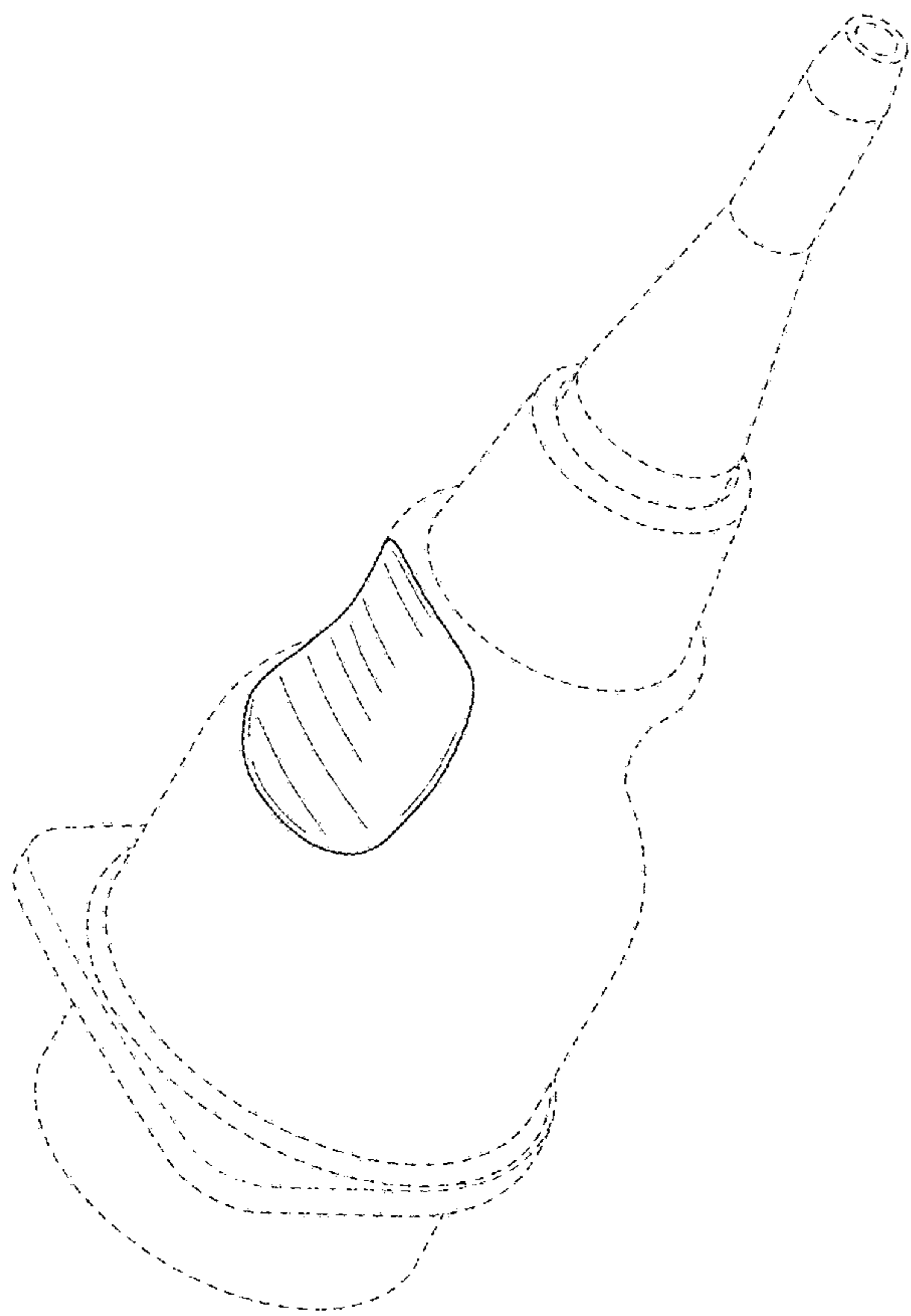


Fig. 1

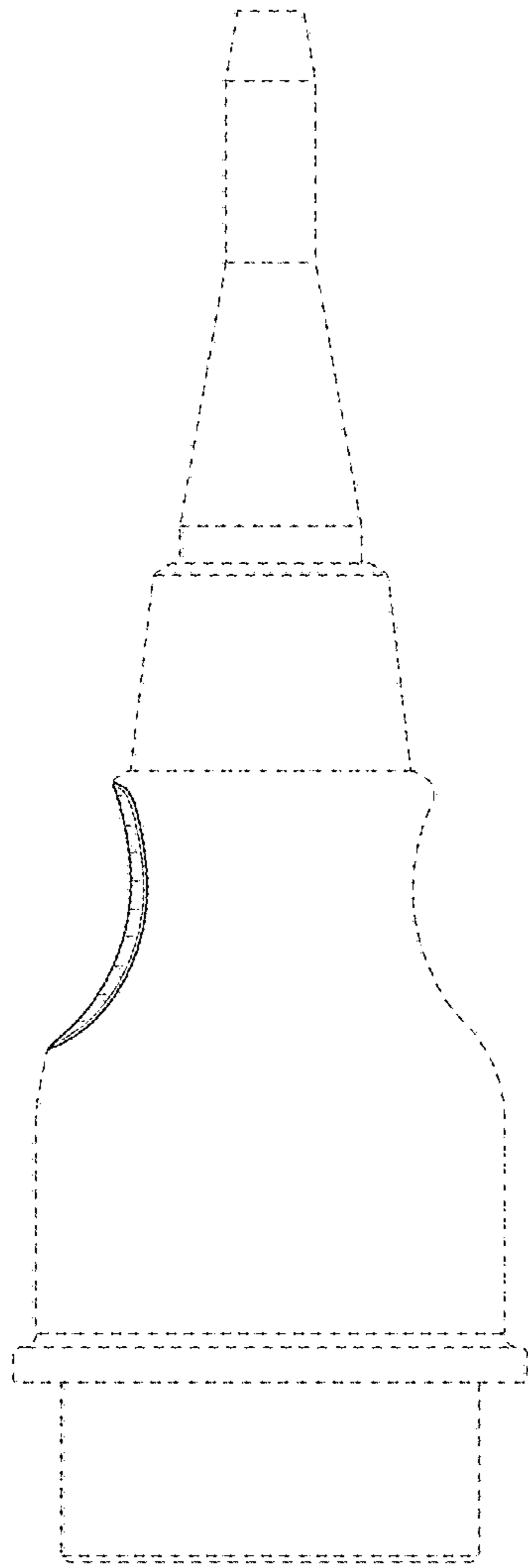


Fig. 2

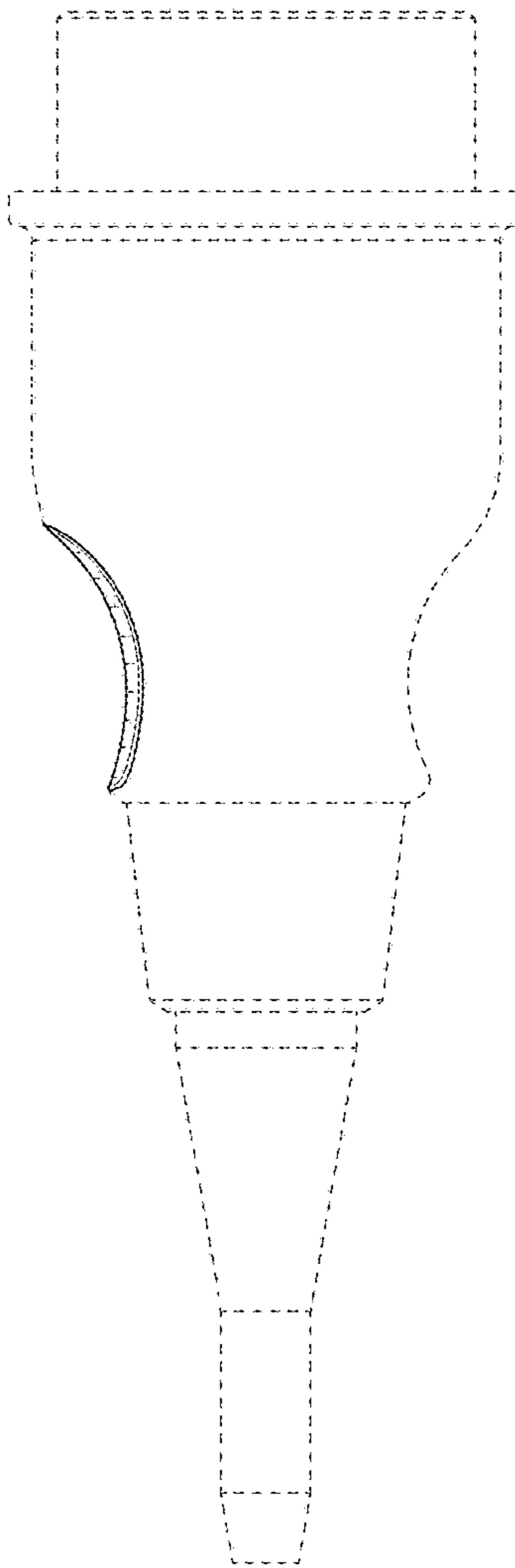


Fig. 3

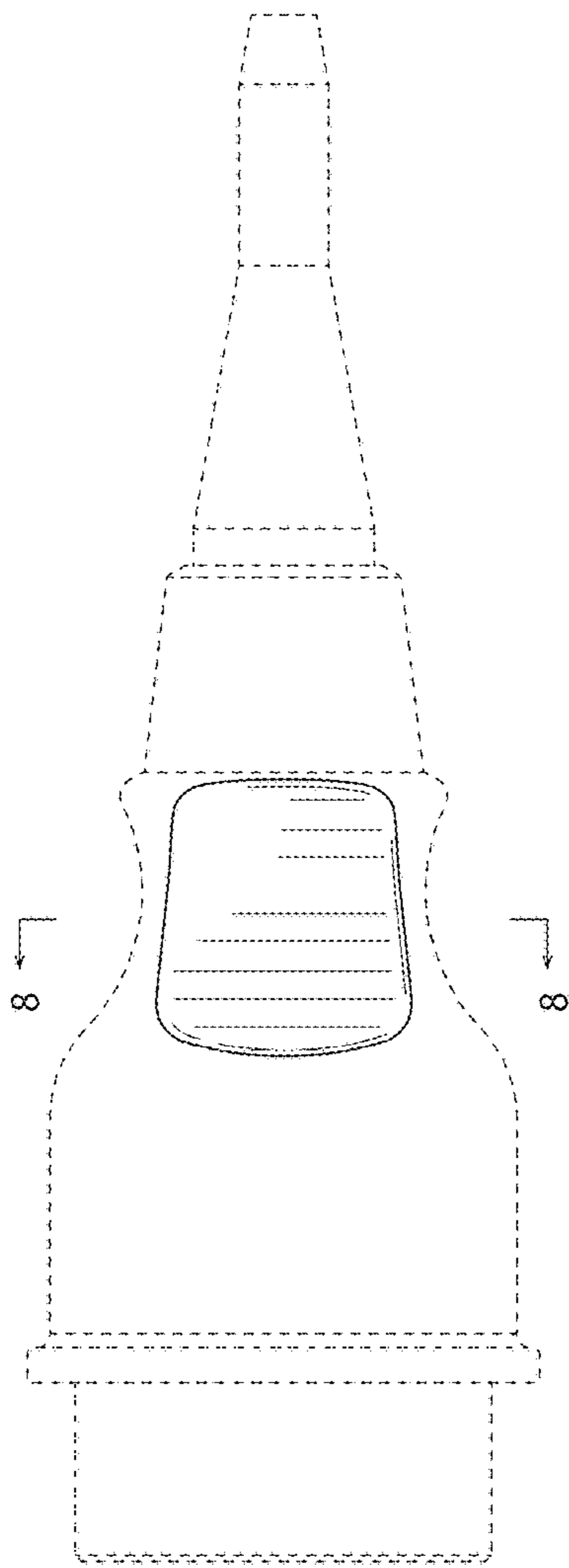


Fig. 4

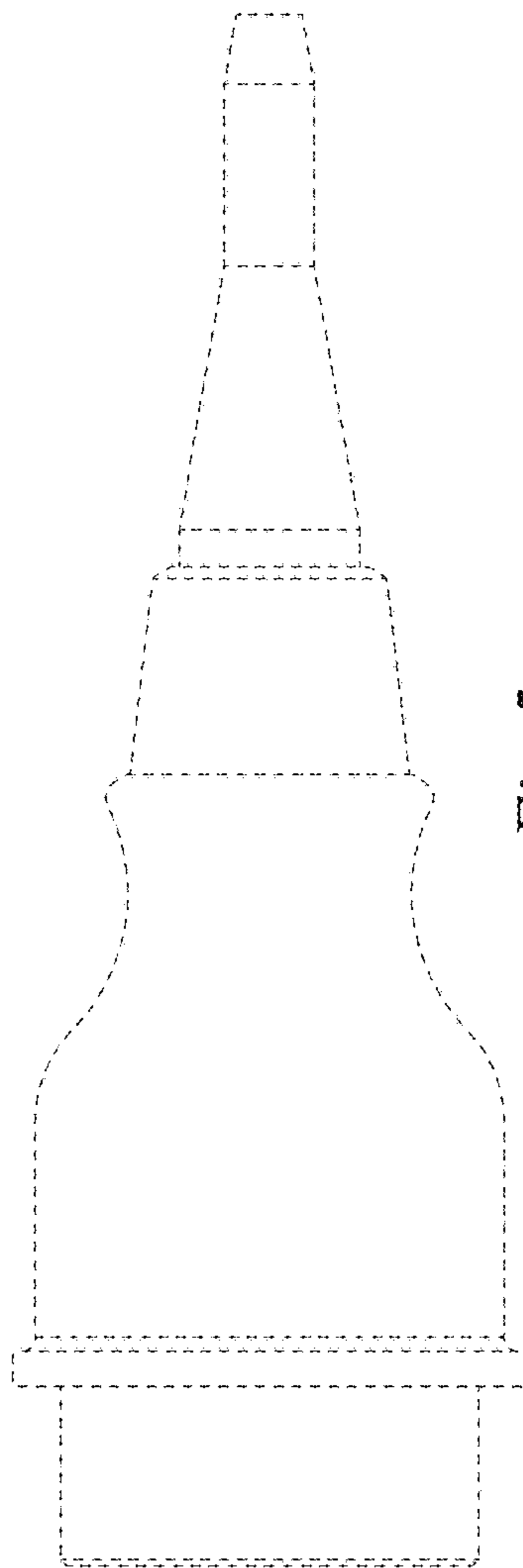


Fig. 5

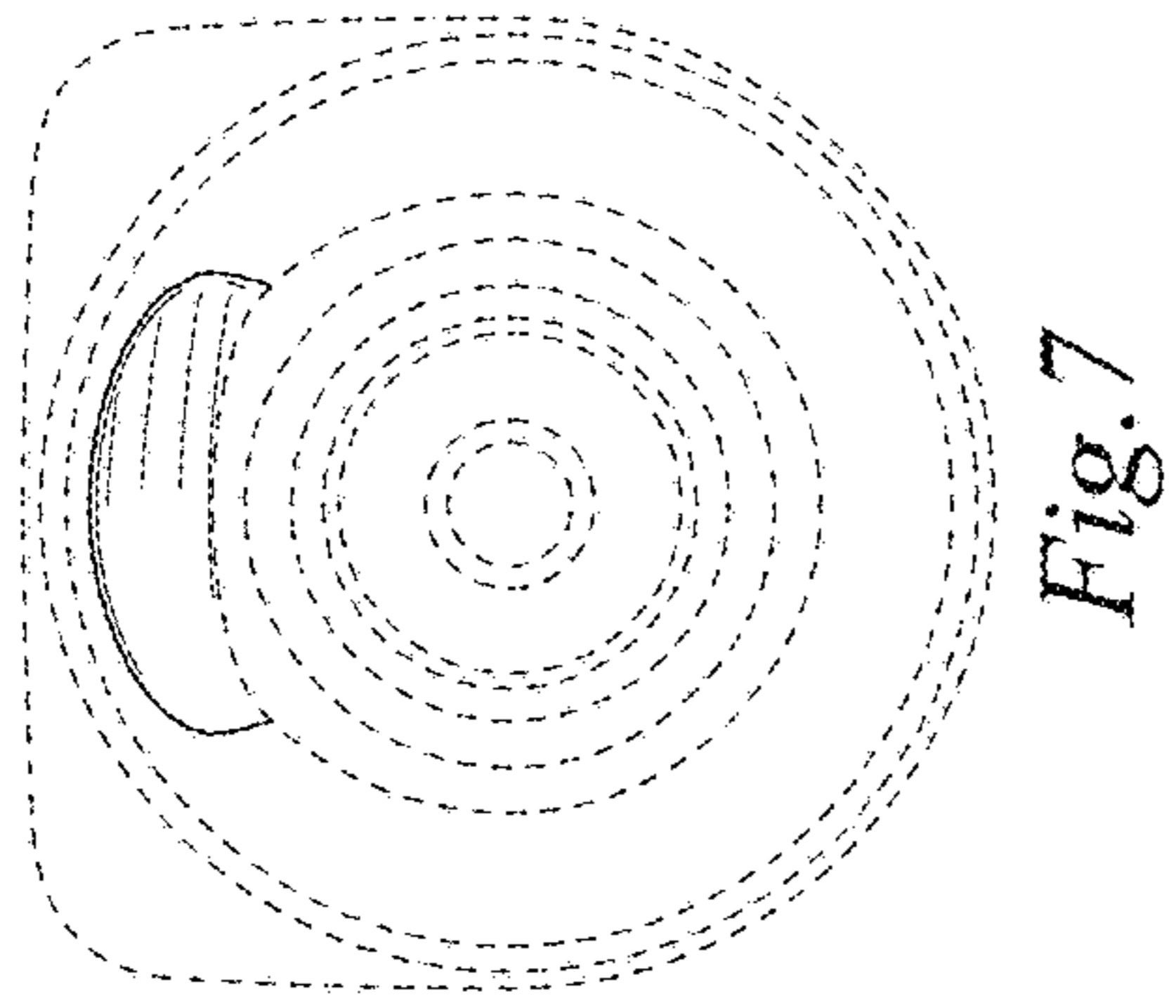


Fig. 7

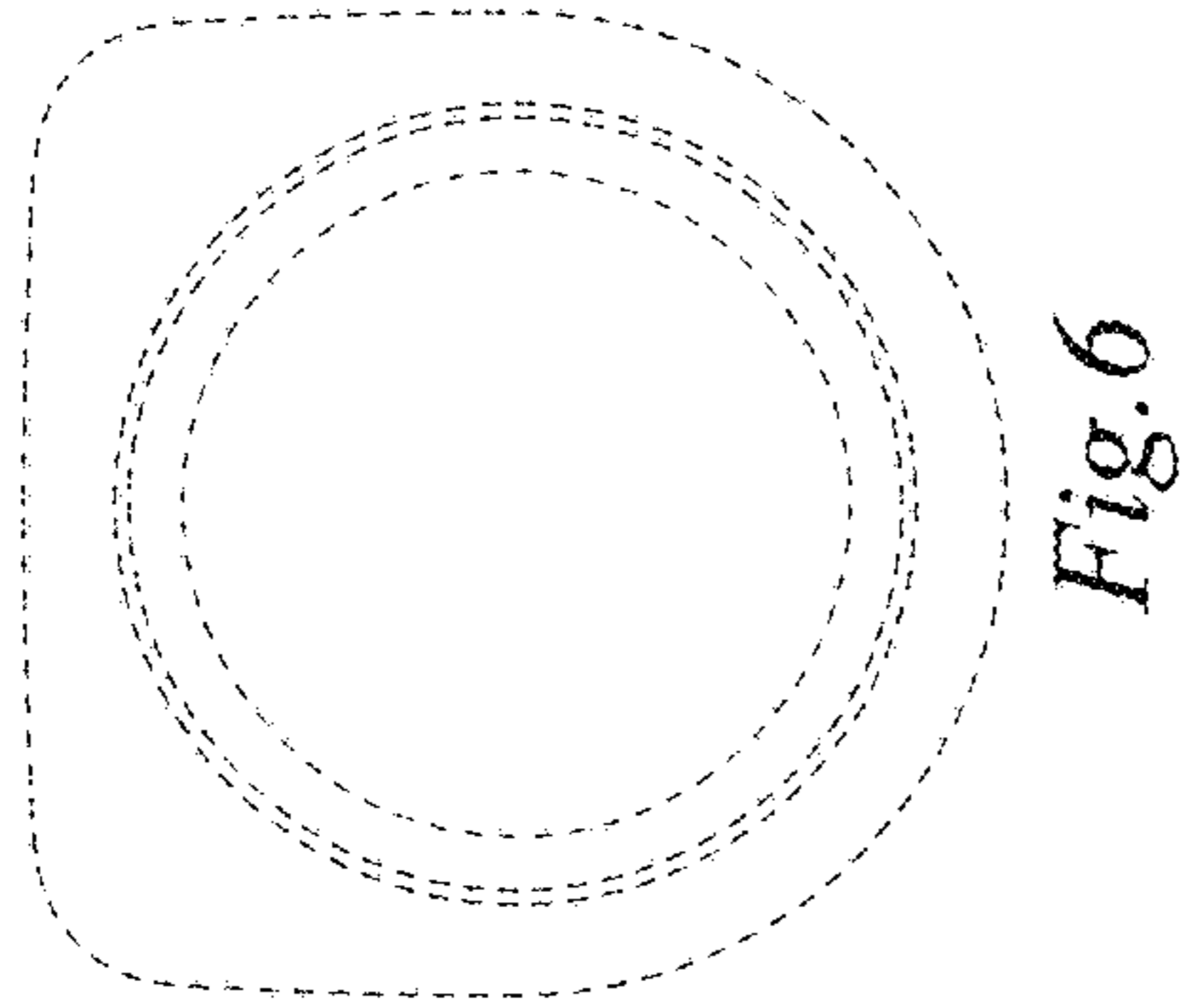


Fig. 6

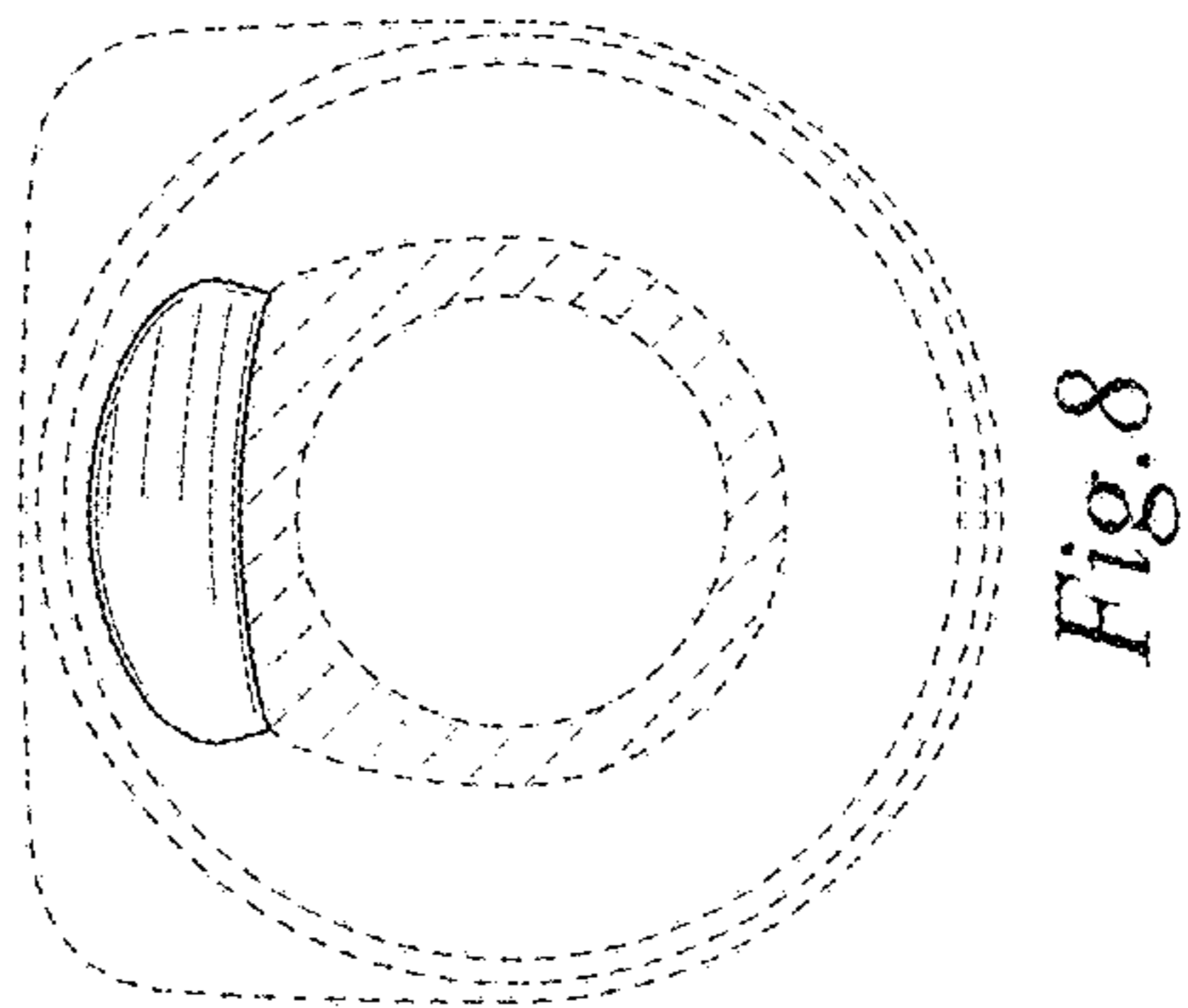


Fig. 8