



US00D854146S

(12) **United States Design Patent**  
**Stonecipher et al.**

(10) **Patent No.:** **US D854,146 S**

(45) **Date of Patent:** **\*\* Jul. 16, 2019**

(54) **HANDHELD DRUG DELIVERY DEVICE**

(71) Applicant: **AMGEN INC.**, Thousand Oaks, CA  
(US)

(72) Inventors: **Brian Stonecipher**, Newbury Park, CA  
(US); **Ryan Jerome Ramos**, Chicago,  
IL (US); **Christian Plambech**, Soeborg  
(DK); **Claus Jepsen**, Horsens (DK);  
**Emil Wegger Jensen**, Viby J (DK)

(73) Assignee: **AMGEN INC.**, Thousand Oaks, CA  
(US)

(\*\*) Term: **15 Years**

(21) Appl. No.: **29/596,591**

(22) Filed: **Mar. 9, 2017**

(51) **LOC (11) Cl.** ..... **24-02**

(52) **U.S. Cl.**  
USPC ..... **D24/114**

(58) **Field of Classification Search**  
USPC ..... D24/111–114, 127, 130, 133, 186, 104,  
D24/108, 176, 220  
CPC ..... A61M 5/1428; A61M 5/162; A61M  
5/14276; A61M 2005/14252; A61M  
2005/1581; A61M 2005/14513; A61M  
2005/206; A61M 39/0208  
See application file for complete search history.

(56) **References Cited**

**U.S. PATENT DOCUMENTS**

D471,274 S	*	3/2003	Diaz	.....	D24/111
D479,324 S	*	9/2003	Greaney	.....	D24/111
D510,139 S	*	9/2005	Gilad	.....	D24/104
D512,150 S	*	11/2005	Iddan	.....	D24/104
D564,087 S	*	3/2008	Yodfat	.....	D24/108

(Continued)

*Primary Examiner* — Lilyana Bekic

*Assistant Examiner* — Aula Soroush

(74) *Attorney, Agent, or Firm* — Marshall, Gerstein &  
Borun LLP

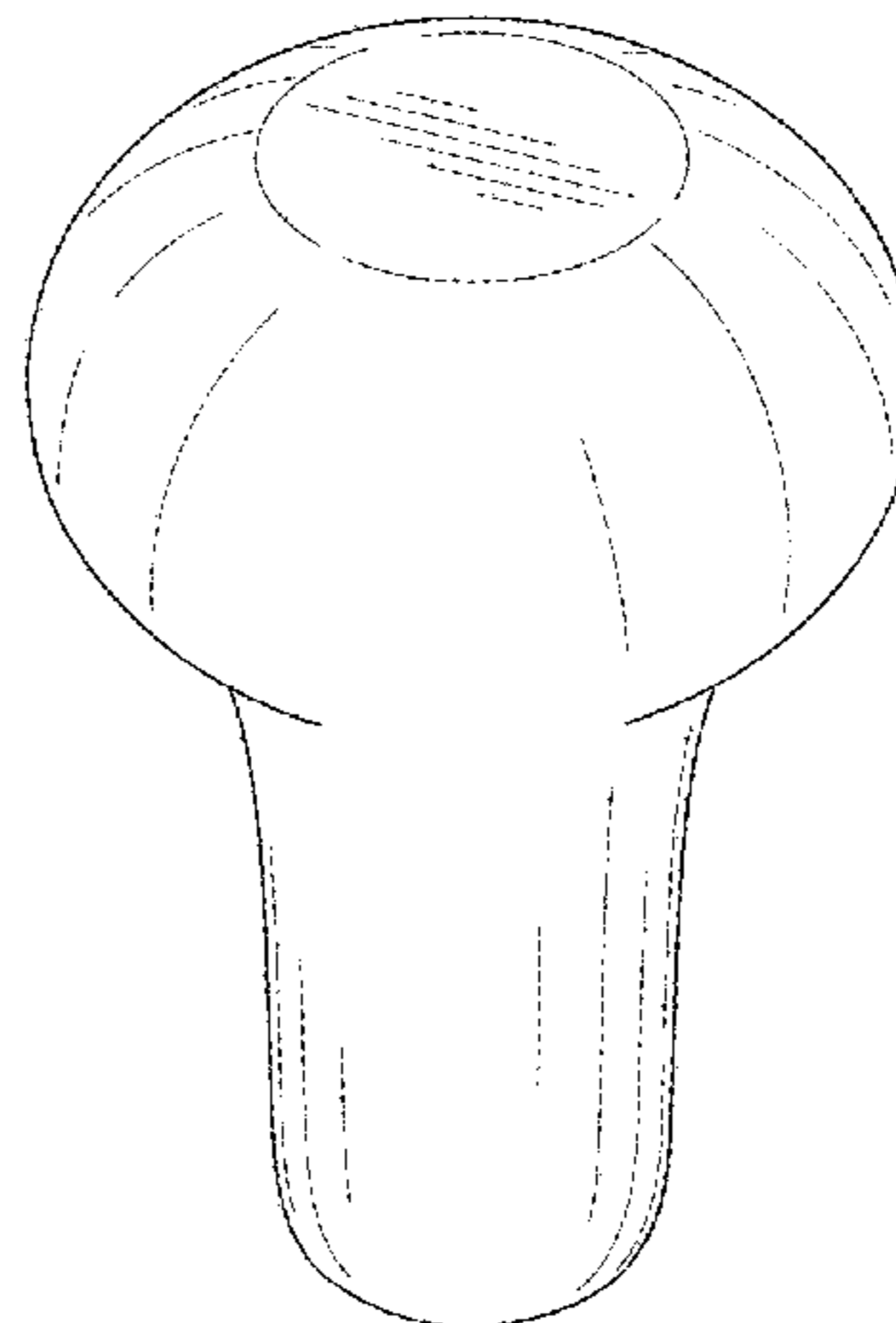
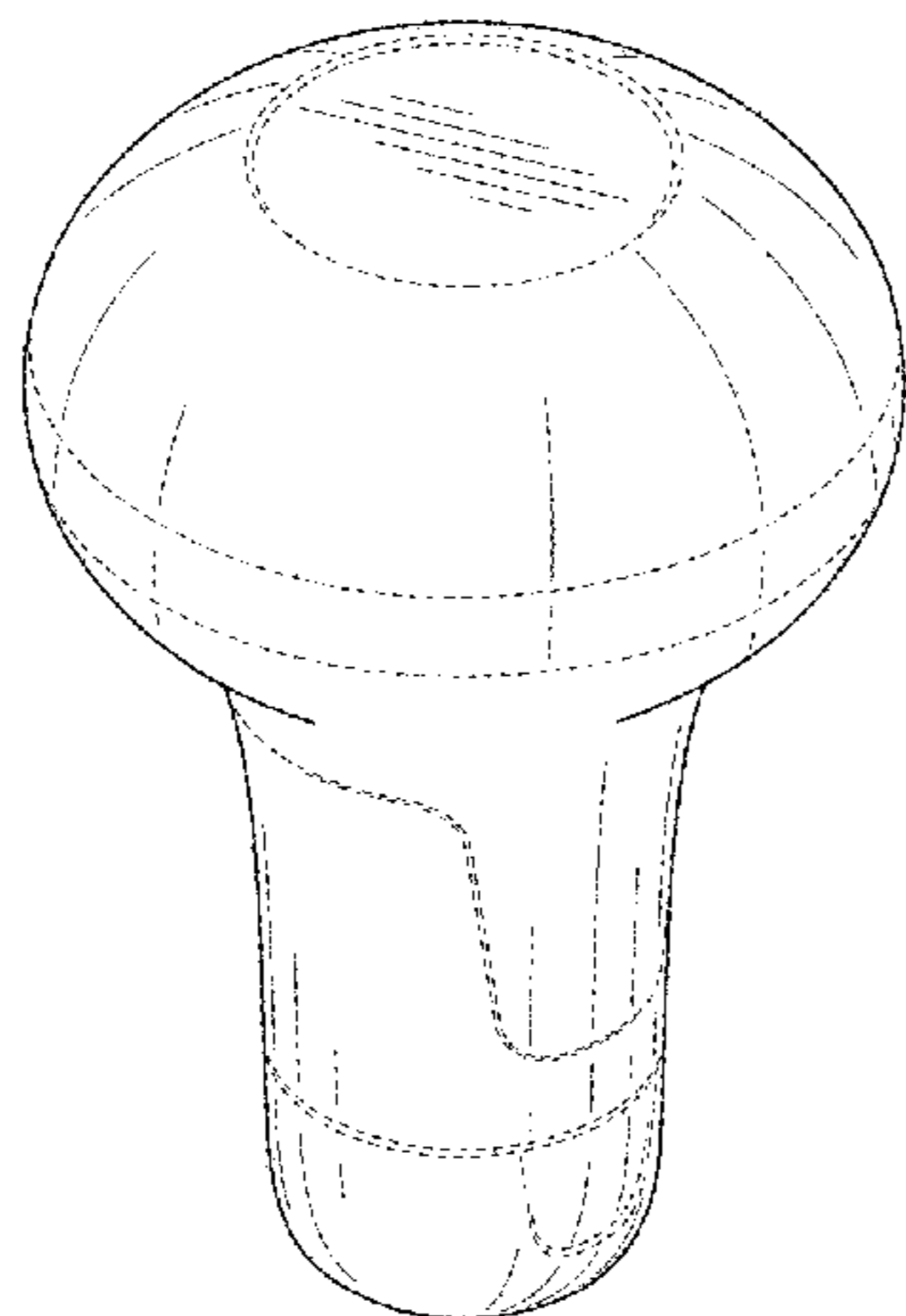
(57) **CLAIM**

The ornamental design for a handheld drug delivery device,  
as shown and described.

**DESCRIPTION**

FIG. 1 is a perspective view showing a first embodiment of a new design for a handheld drug delivery device; FIG. 2 is a front elevation view of the handheld drug delivery device of FIG. 1; FIG. 3 is a rear elevation view of the handheld drug delivery device of FIG. 1; FIG. 4 is a right-side elevation view of the handheld drug delivery device of FIG. 1; FIG. 5 is a left-side elevation view of the handheld drug delivery device of FIG. 1; FIG. 6 is a top plan view of the handheld drug delivery device of FIG. 1; FIG. 7 is a bottom plan view of the handheld drug delivery device of FIG. 1; FIG. 8 is a perspective view showing a second embodiment of a new design for a handheld drug delivery device; FIG. 9 is a front elevation view of the handheld drug delivery device of FIG. 8; FIG. 10 is a rear elevation view of the handheld drug delivery device of FIG. 8; FIG. 11 is a right-side elevation view of the handheld drug delivery device of FIG. 8; FIG. 12 is a left-side elevation view of the handheld drug delivery device of FIG. 8; FIG. 13 is a top plan view of the handheld drug delivery device of FIG. 8; and, FIG. 14 is a bottom plan view of the handheld drug delivery device of FIG. 8. The dashed lines are included for the purpose of illustrating environment and form no part of the claimed design.

**1 Claim, 8 Drawing Sheets**



(56)

**References Cited**

## U.S. PATENT DOCUMENTS

D607,099	S	*	12/2009	Loerwald	.....	D24/108
D630,313	S	*	1/2011	Pidgeon	.....	D24/108
D647,613	S	*	10/2011	Paget	.....	D24/133
D677,382	S	*	3/2013	Foley	.....	D24/114
D678,514	S	*	3/2013	Foley	.....	D24/114
D694,397	S	*	11/2013	White	.....	D24/108
D731,051	S	*	6/2015	Olson	.....	D24/114
D742,506	S	*	11/2015	Burke	.....	D24/119
D748,783	S	*	2/2016	Zhang	.....	D24/133
D749,742	S	*	2/2016	Ishibashi	.....	D24/186
D760,374	S	*	6/2016	Nagar	.....	D24/108
D770,037	S	*	10/2016	Schleicher	.....	D24/111
D780,928	S	*	3/2017	Hayakawa	.....	D24/169
D781,415	S	*	3/2017	Brannon	.....	D24/112
D787,074	S	*	5/2017	Fang	.....	D24/186
D794,805	S	*	8/2017	Kranz	.....	D24/186
D794,806	S	*	8/2017	Kranz	.....	D24/186
D794,807	S	*	8/2017	Kranz	.....	D24/186
D797,924	S	*	9/2017	Bureau	.....	D24/112
D808,010	S	*	1/2018	Denzer	.....	D24/113
D813,400	S	*	3/2018	Bechtel	.....	D24/186
D815,734	S	*	4/2018	Burke	.....	D24/119
D818,575	S	*	5/2018	Corbin	.....	D24/113
D824,023	S	*	7/2018	Grimoldby	.....	D24/113
2011/0092915	A1	*	4/2011	Olson	.....	A61M 5/31501 604/198
2013/0204229	A1	*	8/2013	Olson	.....	A61M 5/3213 604/506
2015/0258284	A1		9/2015	Fenster et al.		
2017/0043105	A1	*	2/2017	Elmen	.....	A61M 5/3204

\* cited by examiner

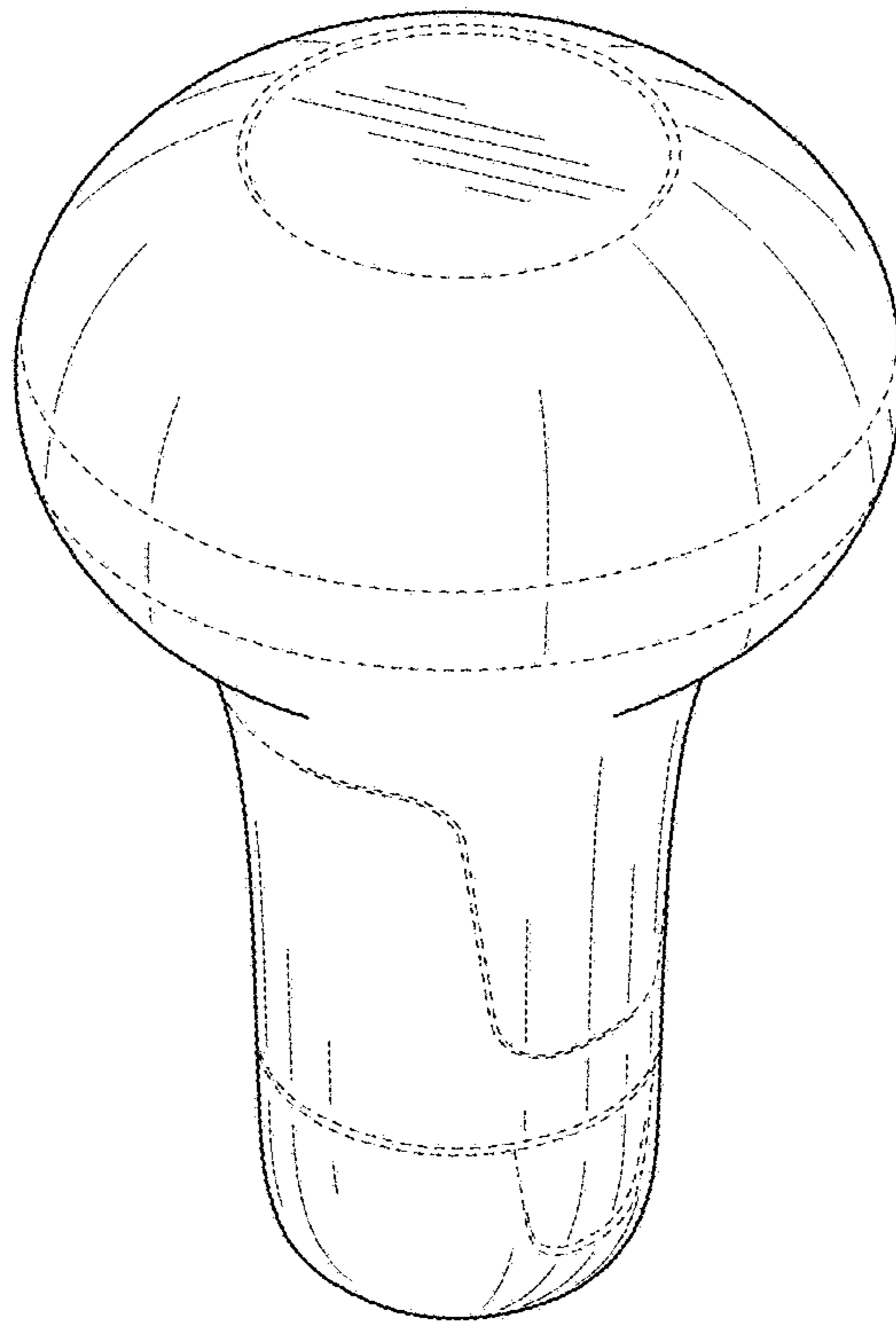


FIG. 1

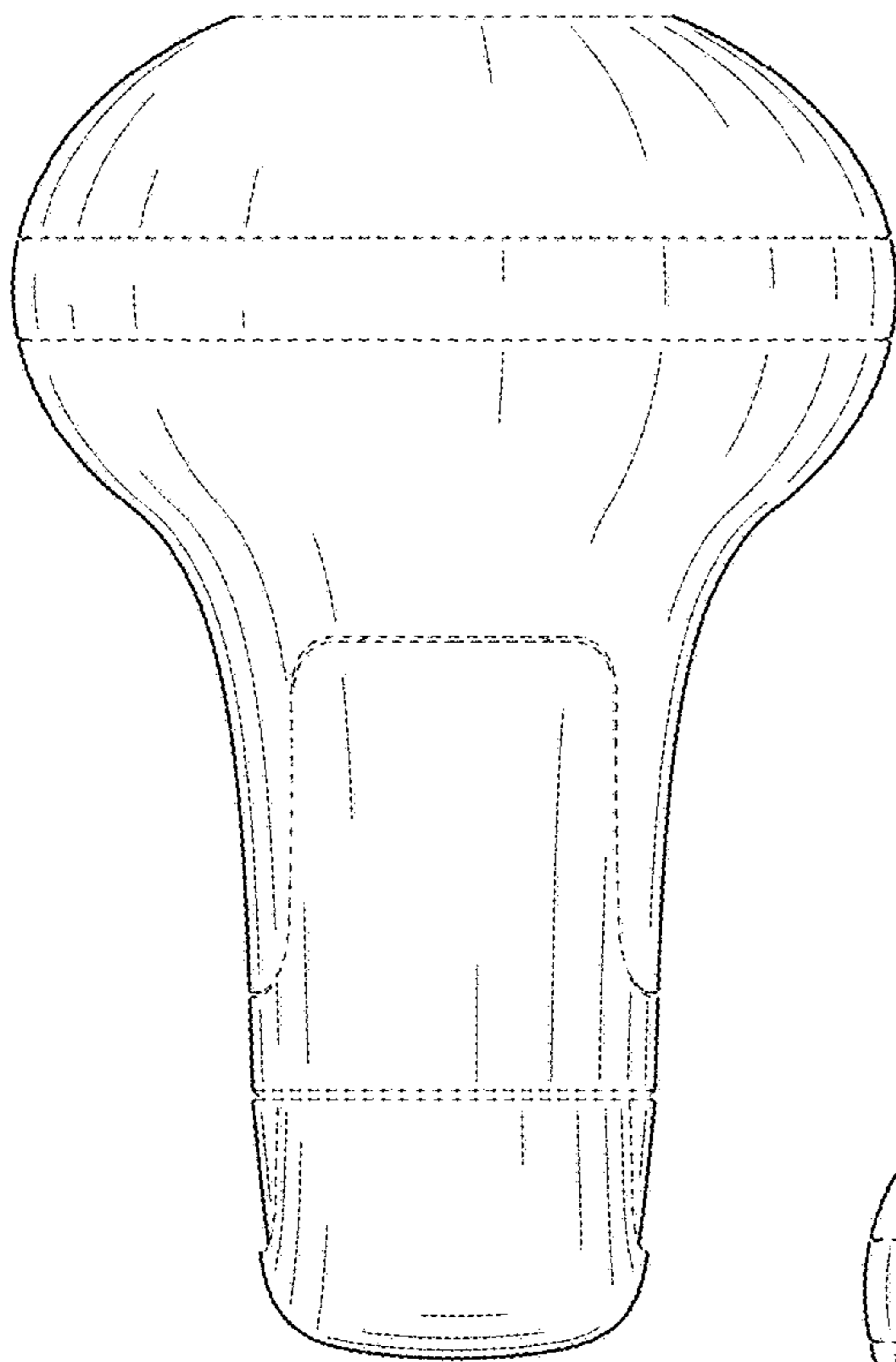


FIG. 2

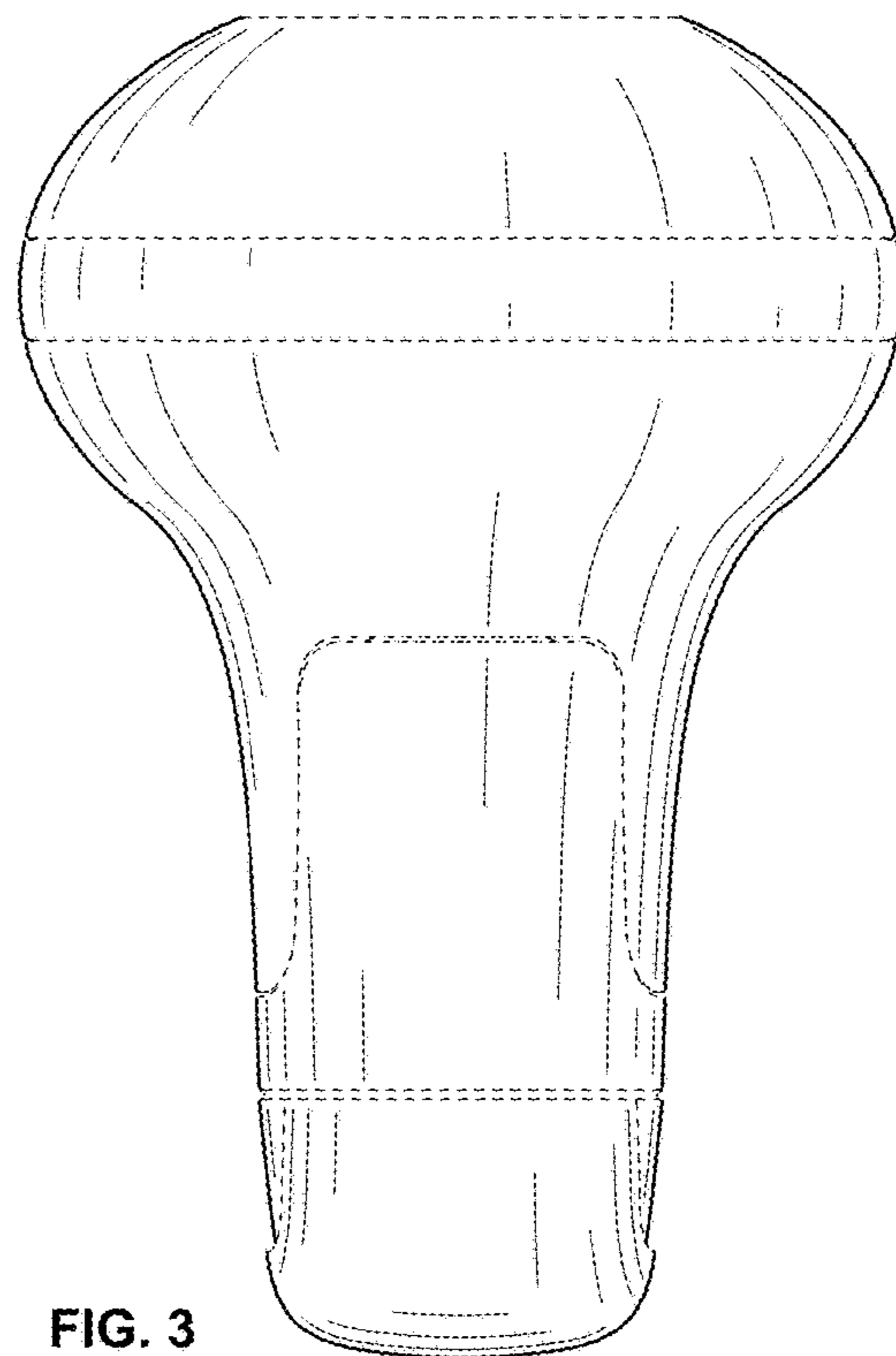


FIG. 3

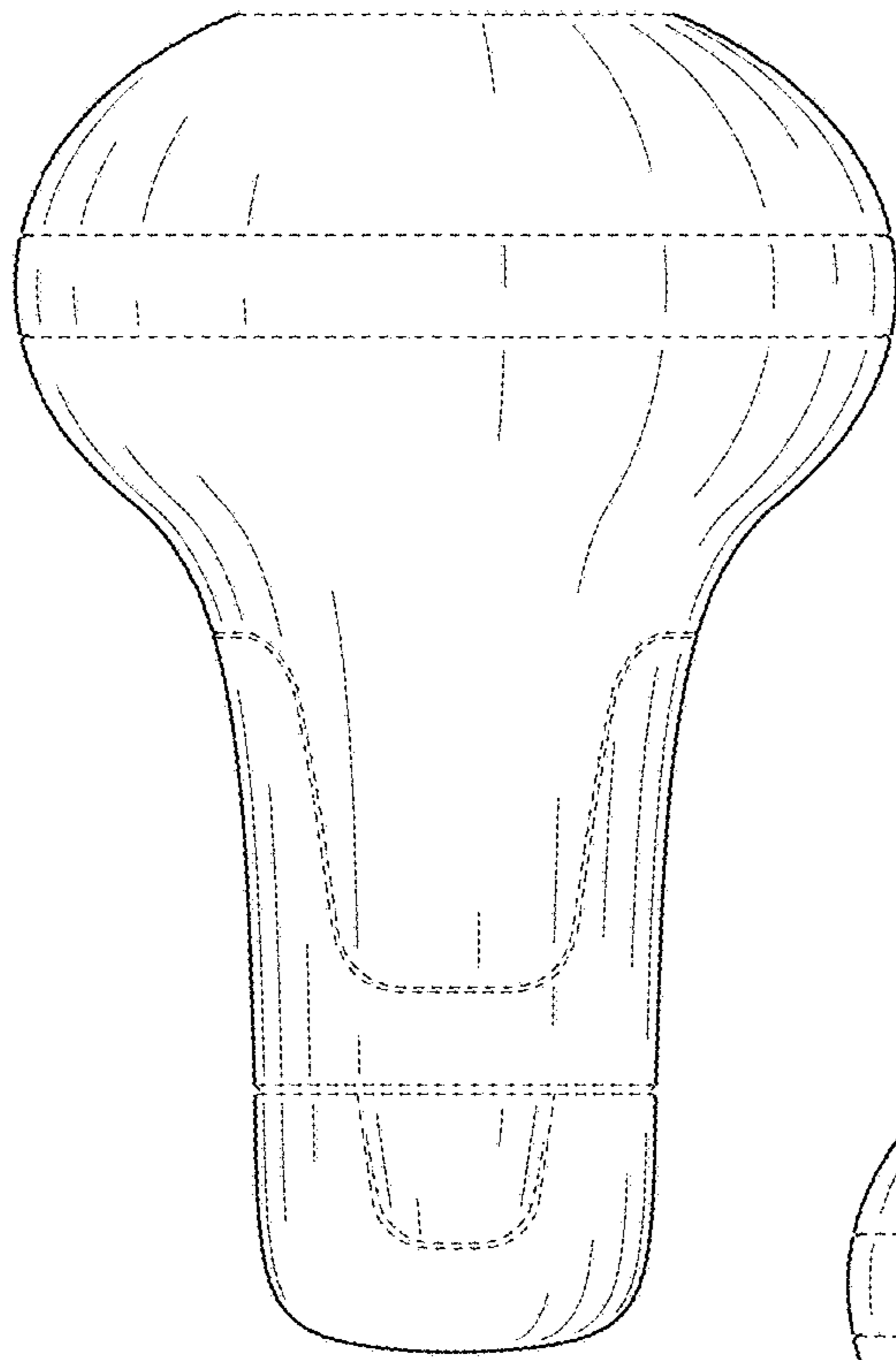


FIG. 4

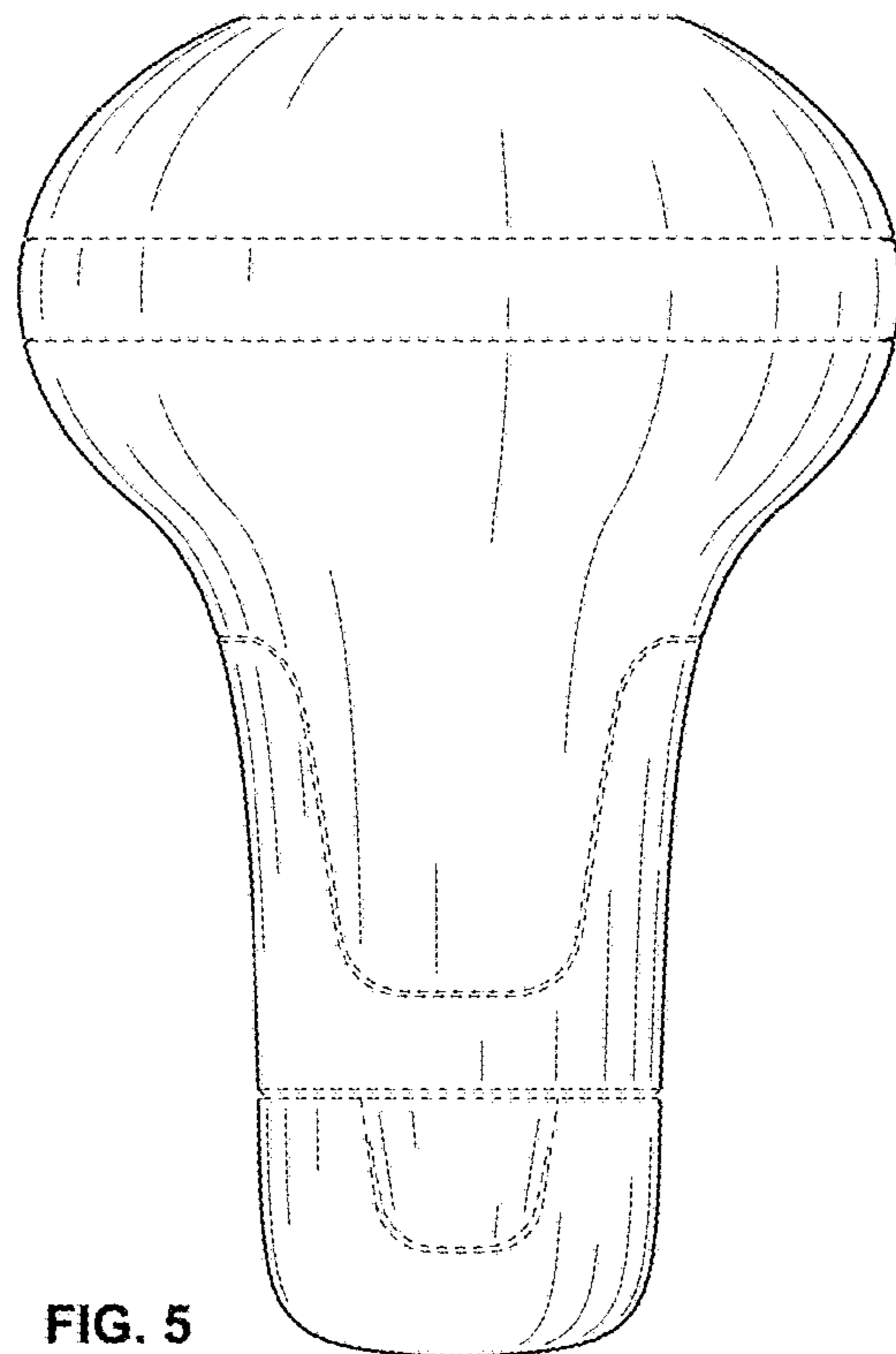


FIG. 5

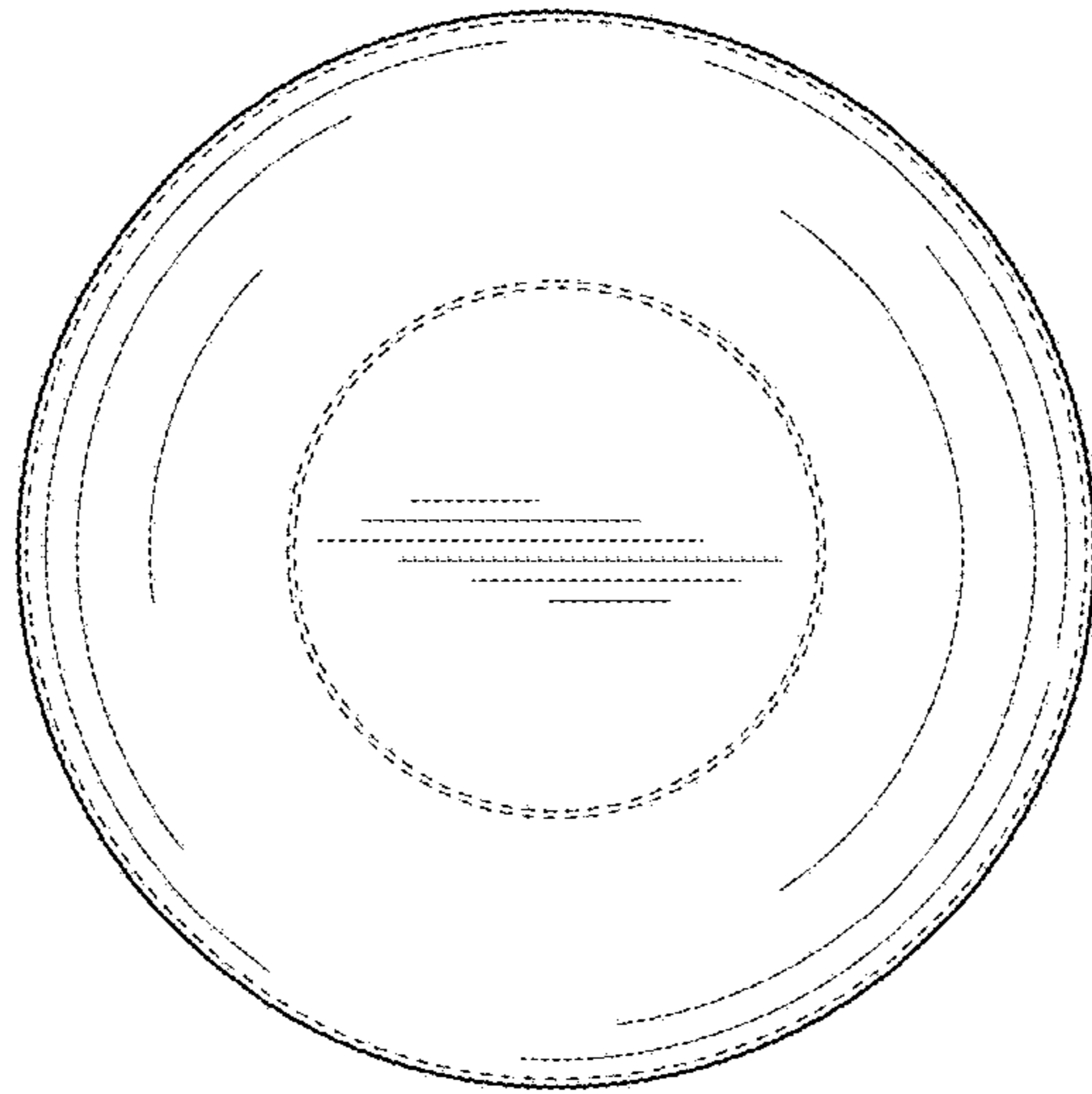


FIG. 6

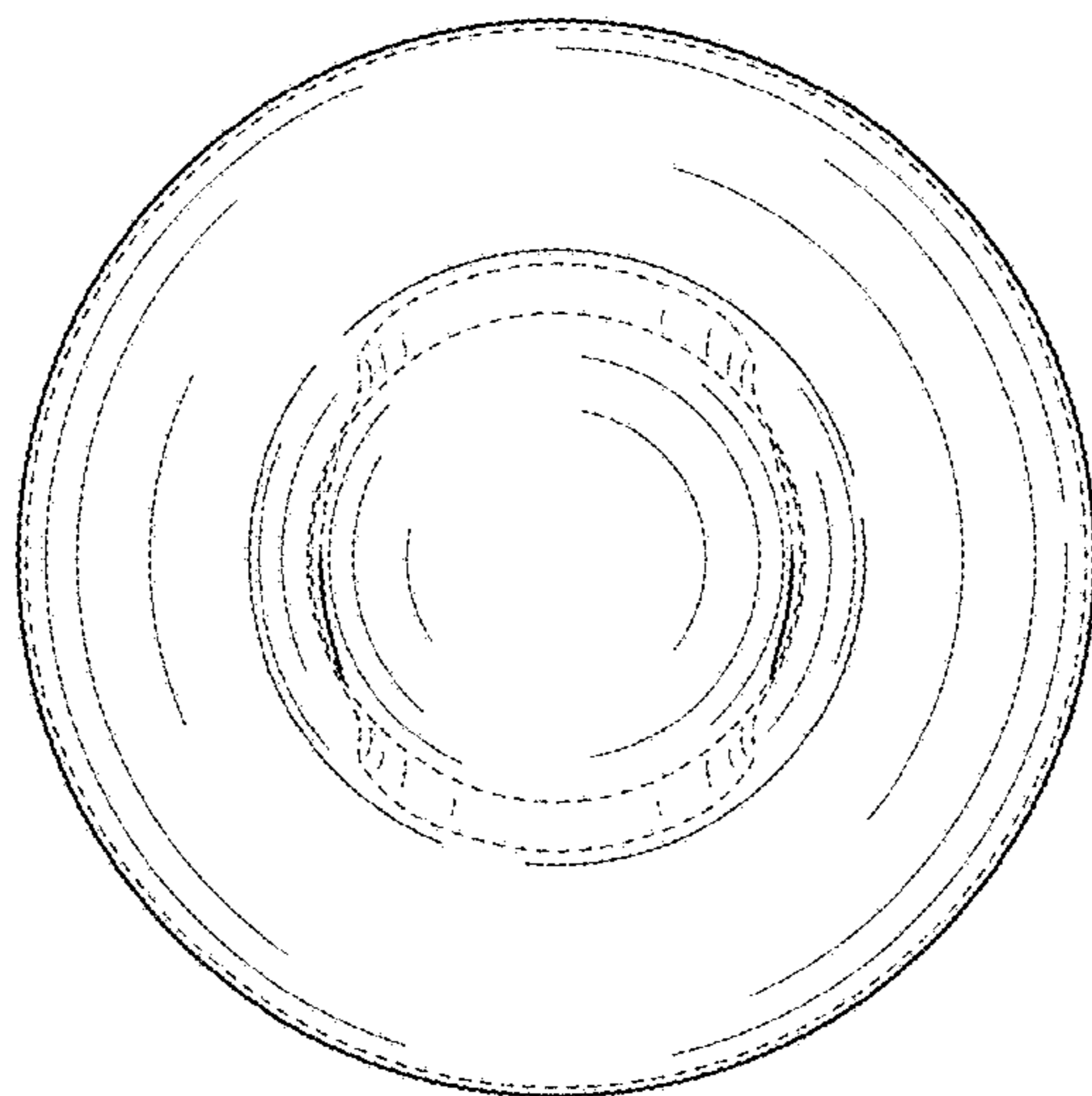


FIG. 7

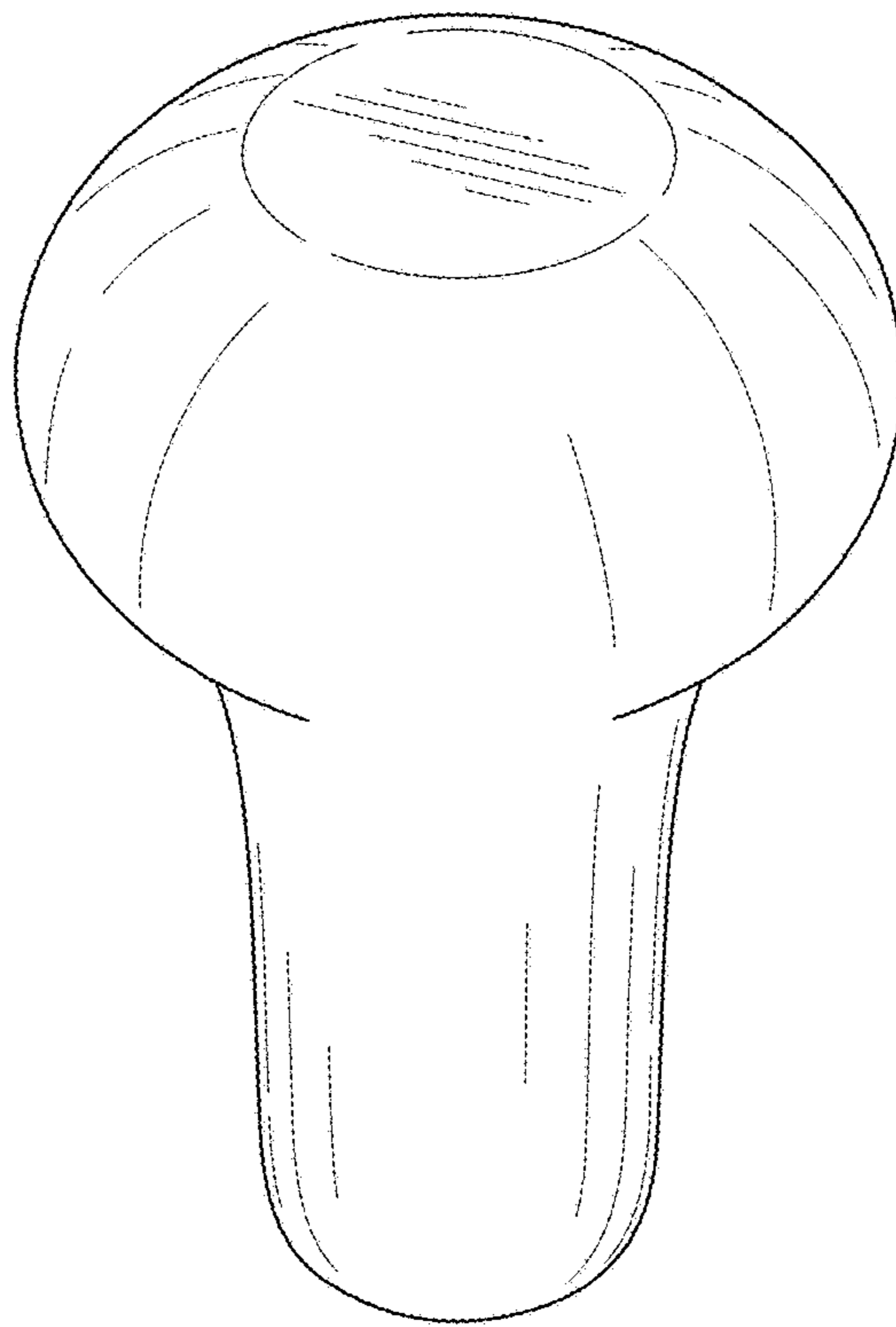


FIG. 8

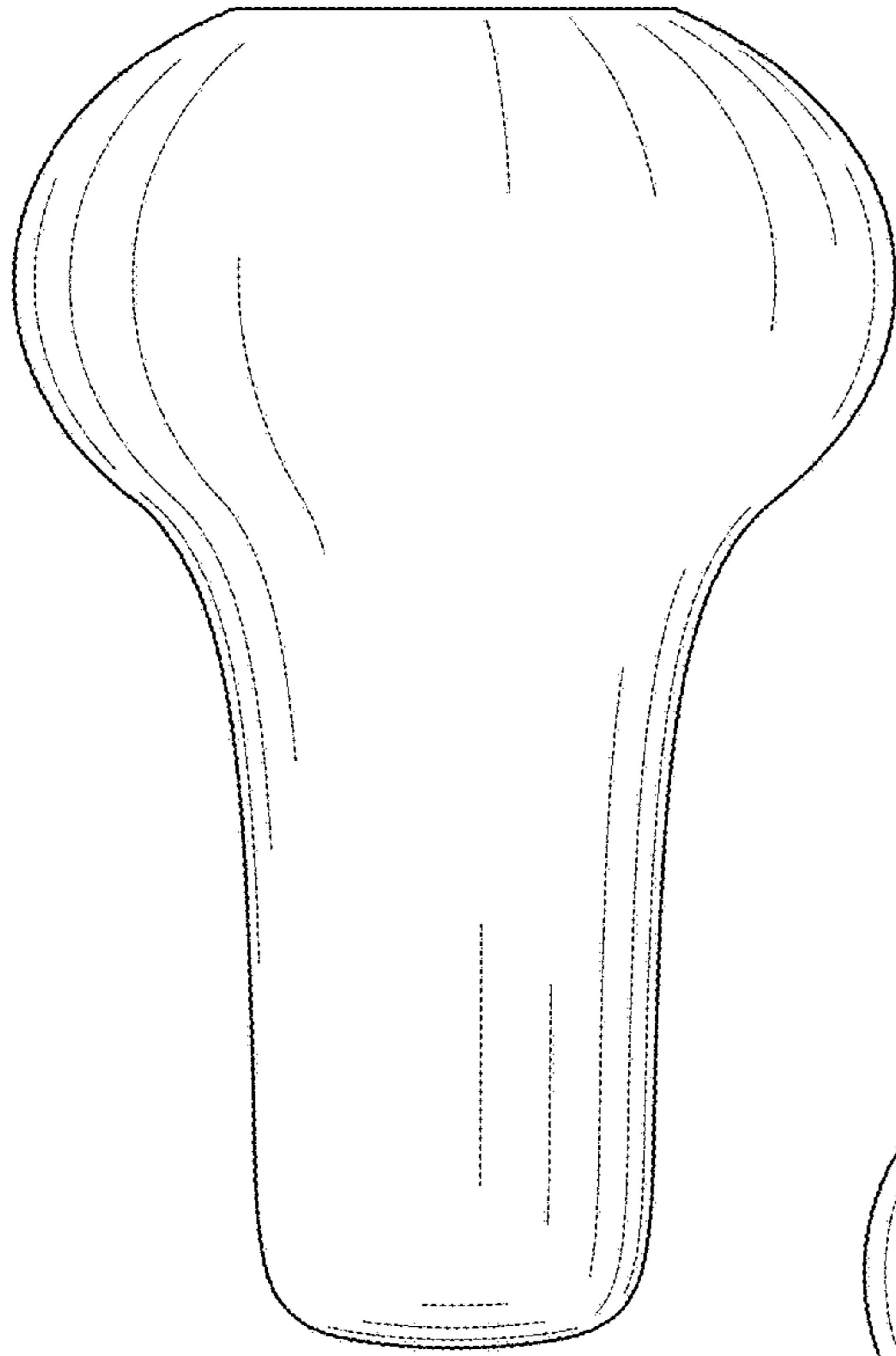


FIG. 9

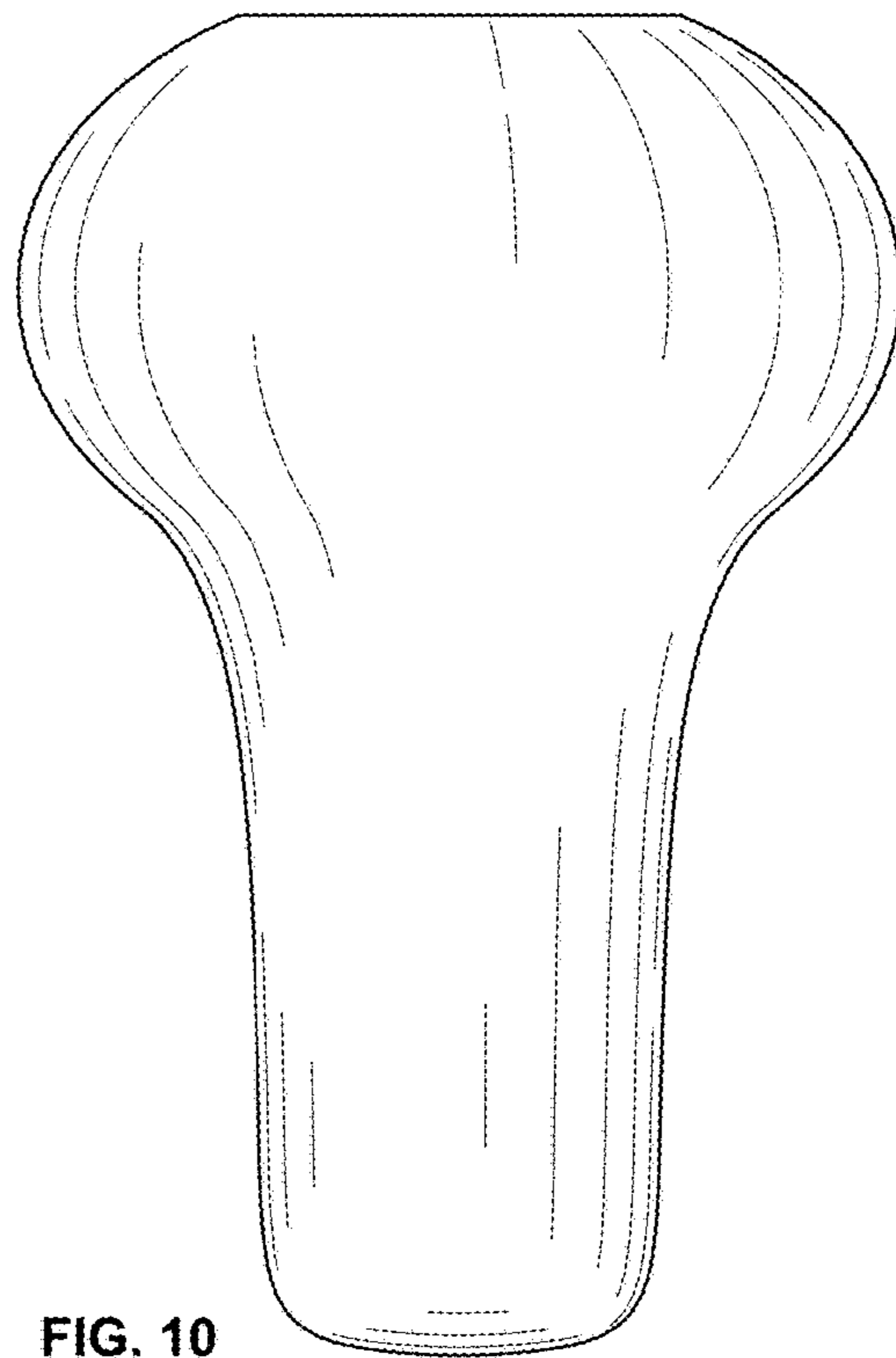


FIG. 10



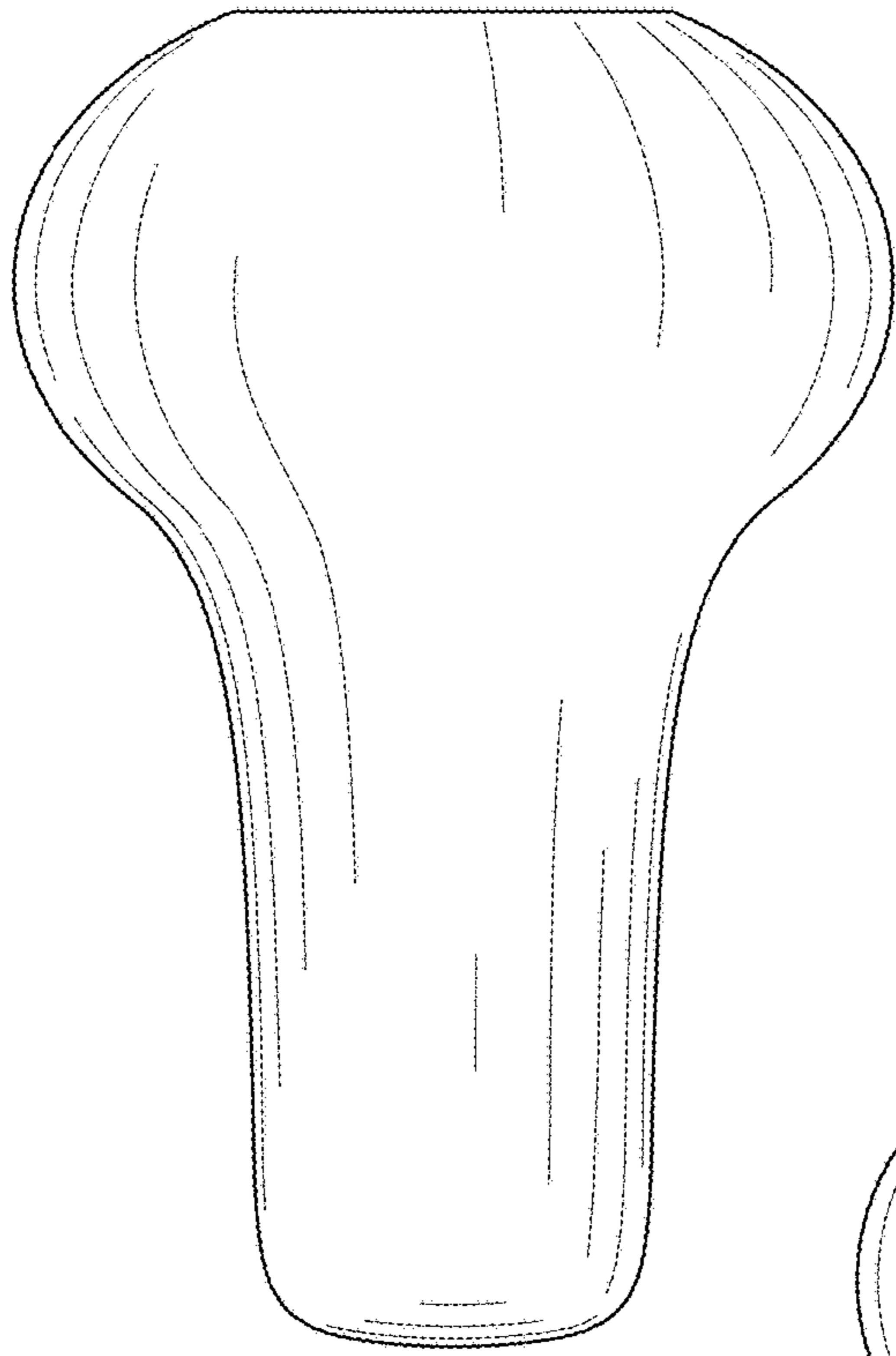


FIG. 11

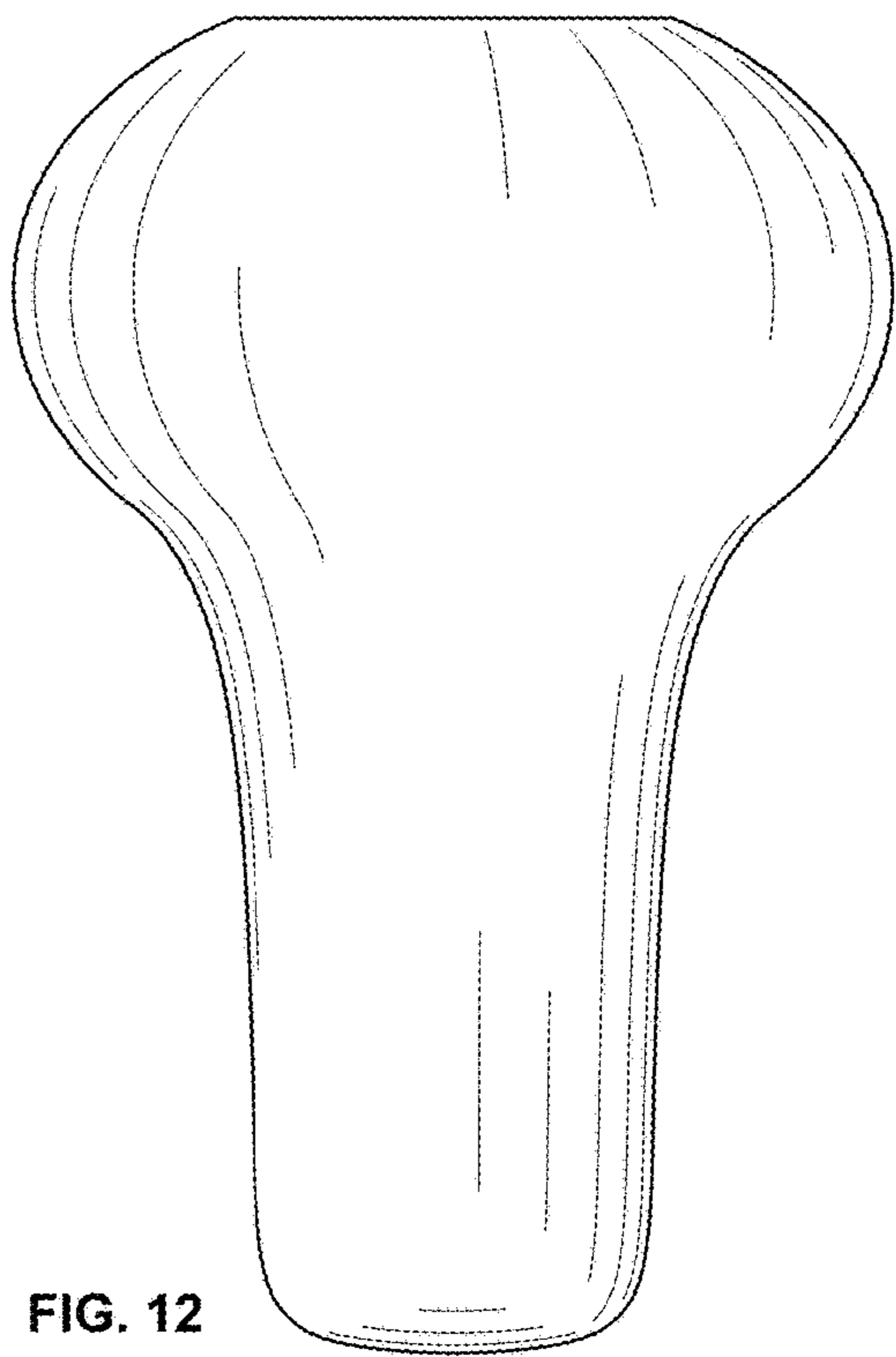


FIG. 12

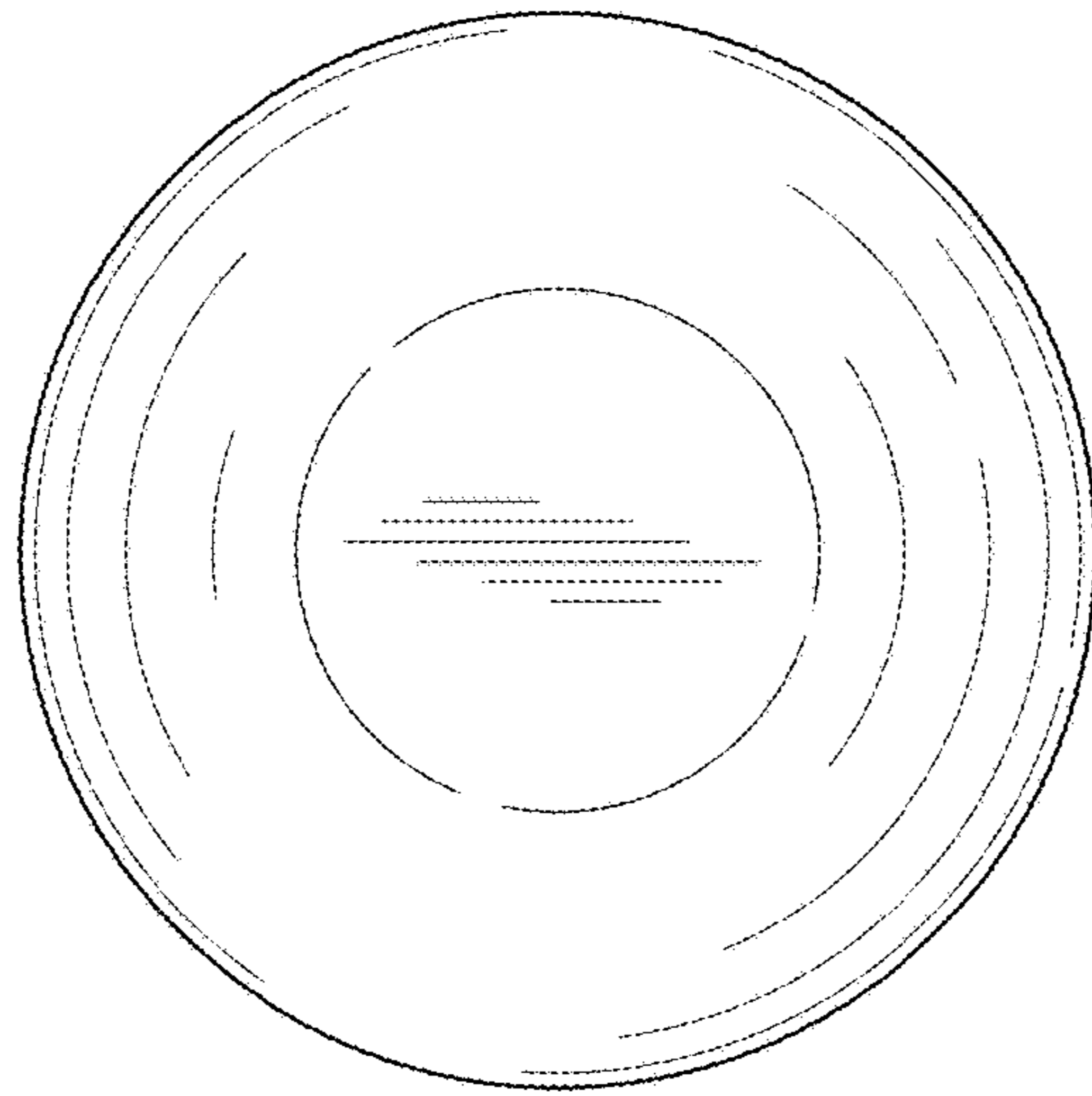


FIG. 13

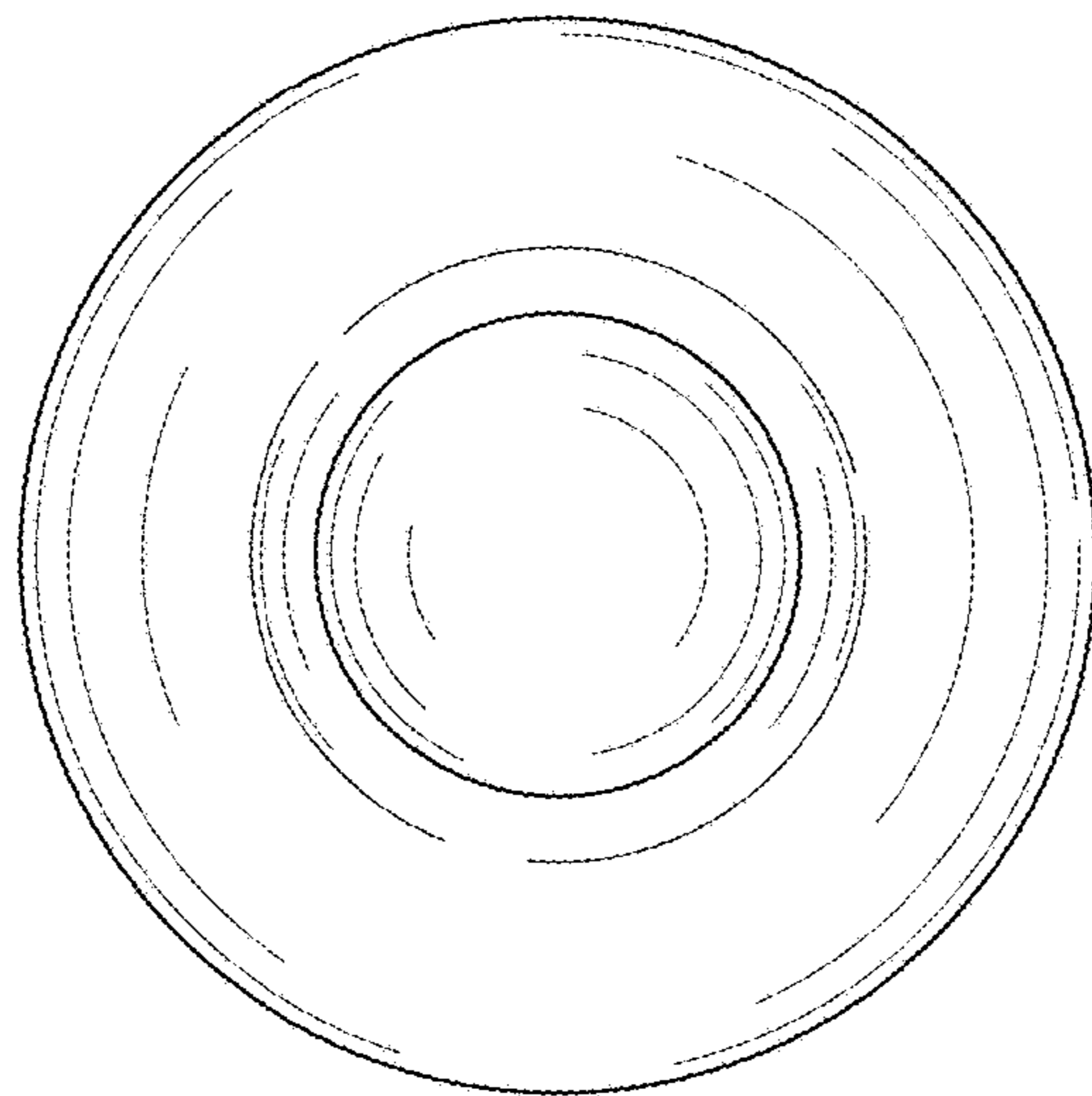


FIG. 14