



US00D854143S

(12) **United States Design Patent** (10) **Patent No.:** **US D854,143 S**
Yu (45) **Date of Patent:** **** Jul. 16, 2019**

(54) **COOLING FAN**
(71) Applicant: **Vincent Yu**, Changhua County (TW)
(72) Inventor: **Vincent Yu**, Changhua County (TW)
(**) Term: **15 Years**
(21) Appl. No.: **29/628,586**
(22) Filed: **Dec. 6, 2017**
(51) **LOC (11) Cl.** **23-03**
(52) **U.S. Cl.**
USPC **D23/413; D23/370**
(58) **Field of Classification Search**
USPC D23/314, 317, 324, 328, 332-342, 351,
D23/352, 354, 355, 356, 359, 362, 364,
D23/370-389, 393, 397, 411-414;
D12/214
CPC F04D 25/08; F04D 29/38; F04D 29/384;
F04D 29/386; F04D 29/325; F04D 25/02;
F04D 29/682; F04D 29/684
See application file for complete search history.

6,296,446 B1 * 10/2001 Ishijima F04D 29/384
416/236 A
D570,470 S * 6/2008 Suzuki D23/413
D571,000 S * 6/2008 Bei D23/413
D594,108 S * 6/2009 Sturm D23/377
D661,792 S * 6/2012 VanOtten Tolman D23/377
D681,188 S * 4/2013 Hu D23/413
D736,368 S * 8/2015 Xu D23/370
D771,228 S * 11/2016 Heli D23/370
10,082,286 B1 * 9/2018 Huang F04D 25/0613
D829,878 S * 10/2018 Sallander D23/370
2008/0159867 A1 * 7/2008 Yang F04D 29/023
416/203

* cited by examiner

Primary Examiner — Cathron C Brooks
Assistant Examiner — Sharon S Oum
(74) *Attorney, Agent, or Firm* — Rosenberg, Klein & Lee

(57) **CLAIM**

The ornamental design for a cooling fan, as shown and described.

DESCRIPTION

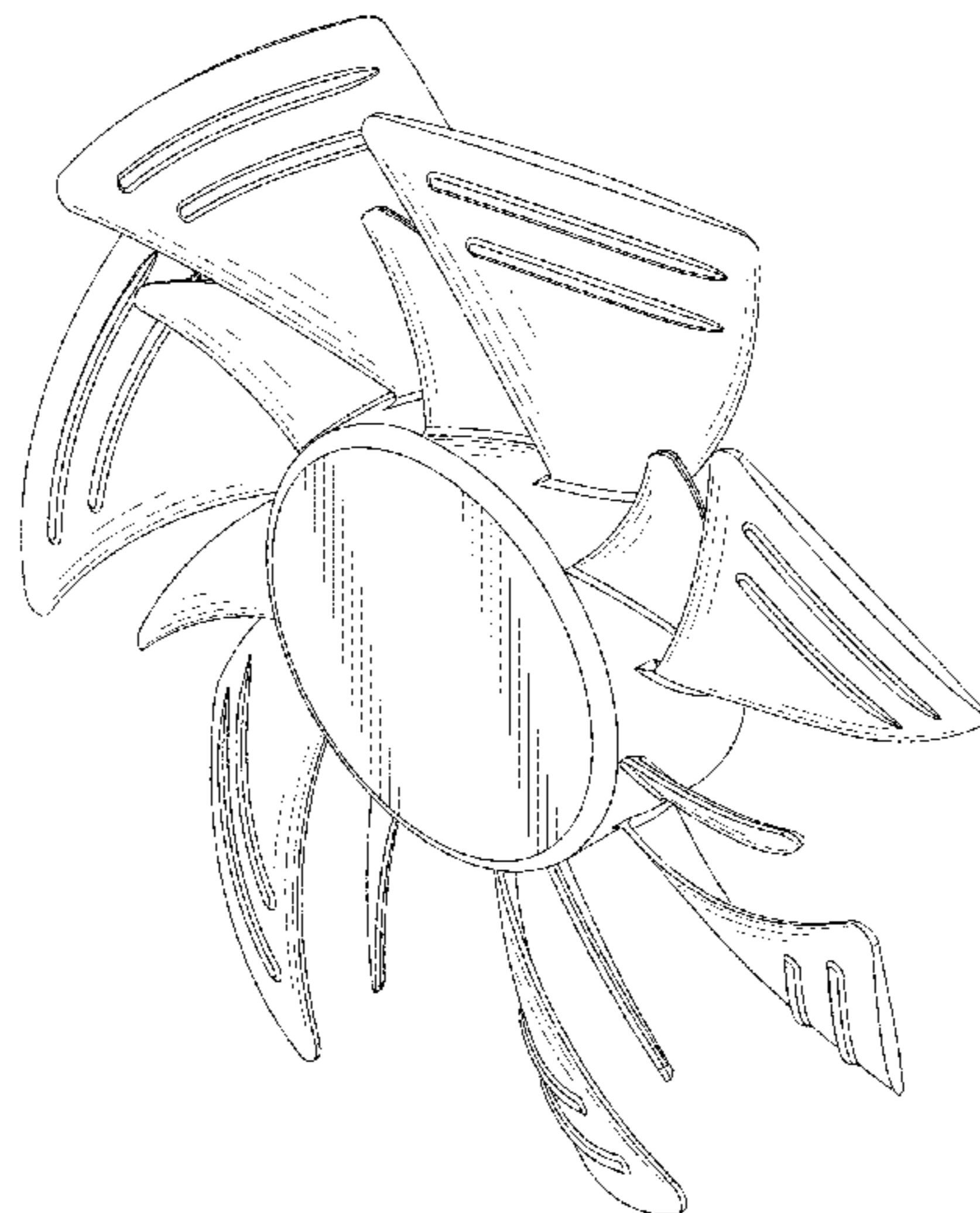
FIG. 1 is a front-right-top perspective view of the cooling fan showing my new design;
FIG. 2 is a front elevational view thereof;
FIG. 3 is a rear elevational view thereof;
FIG. 4 is a left side elevational view thereof;
FIG. 5 is a right side elevational view thereof;
FIG. 6 is a top plan view thereof;
FIG. 7 is a bottom plan view thereof;
FIG. 8 is a another perspective view thereof; and,
FIG. 9 is a perspective view thereof shown in a position of use.
The broken lines illustrate portions of the cooling fan which form no part of the claimed design.

1 Claim, 8 Drawing Sheets

(56) **References Cited**

U.S. PATENT DOCUMENTS

3,195,807 A * 7/1965 Sheets F01D 5/141
415/199.4
4,128,363 A * 12/1978 Fujikake F01D 5/145
416/175
4,189,281 A * 2/1980 Katagiri F04D 29/547
123/41.49
4,222,710 A * 9/1980 Katagiri F04D 29/38
123/41.49
4,265,596 A * 5/1981 Katagiri F04D 29/384
416/175
5,193,983 A * 3/1993 Shyu F04D 29/384
416/236 A
5,368,508 A * 11/1994 Whittington B63H 1/26
416/236 A



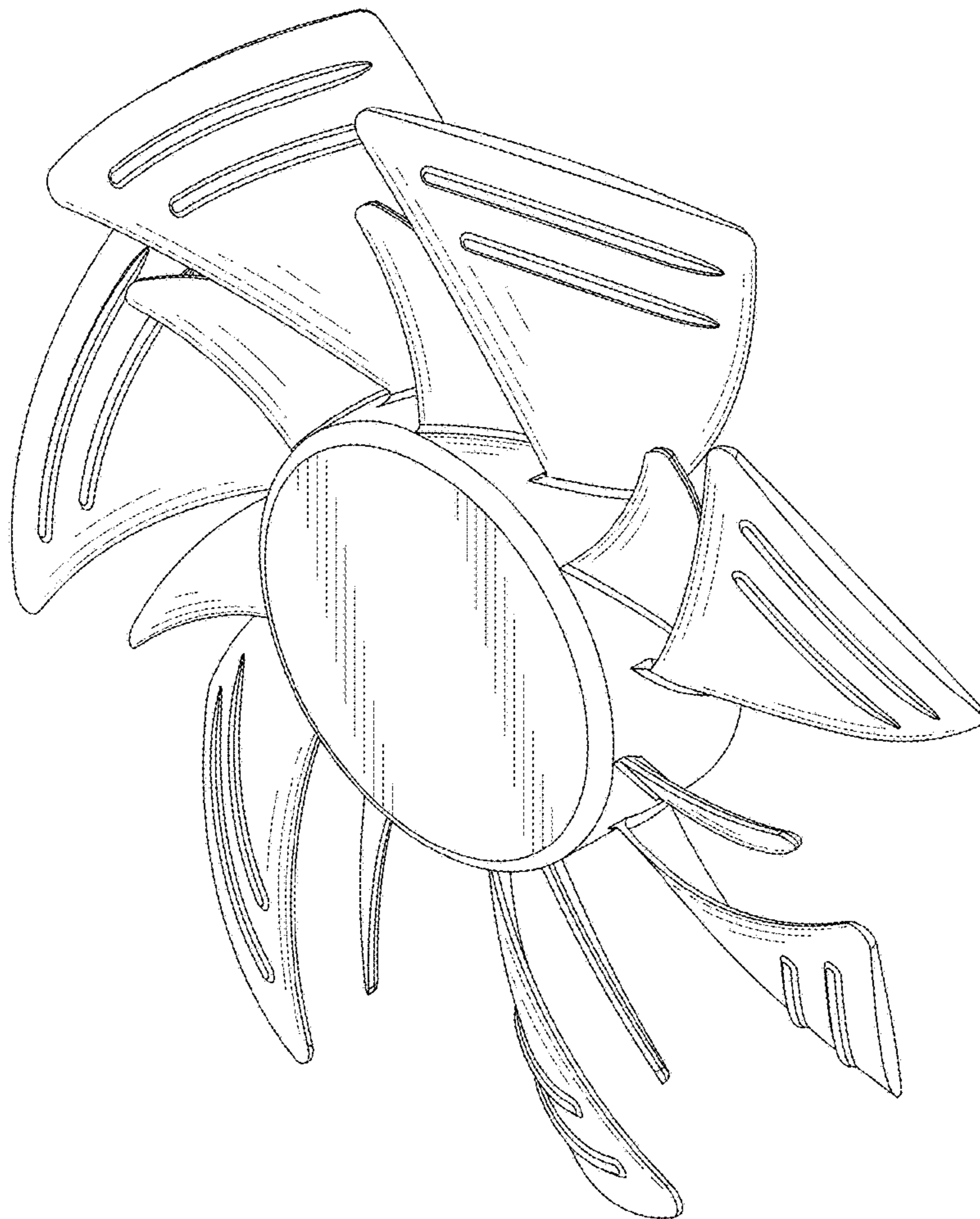


FIG.1

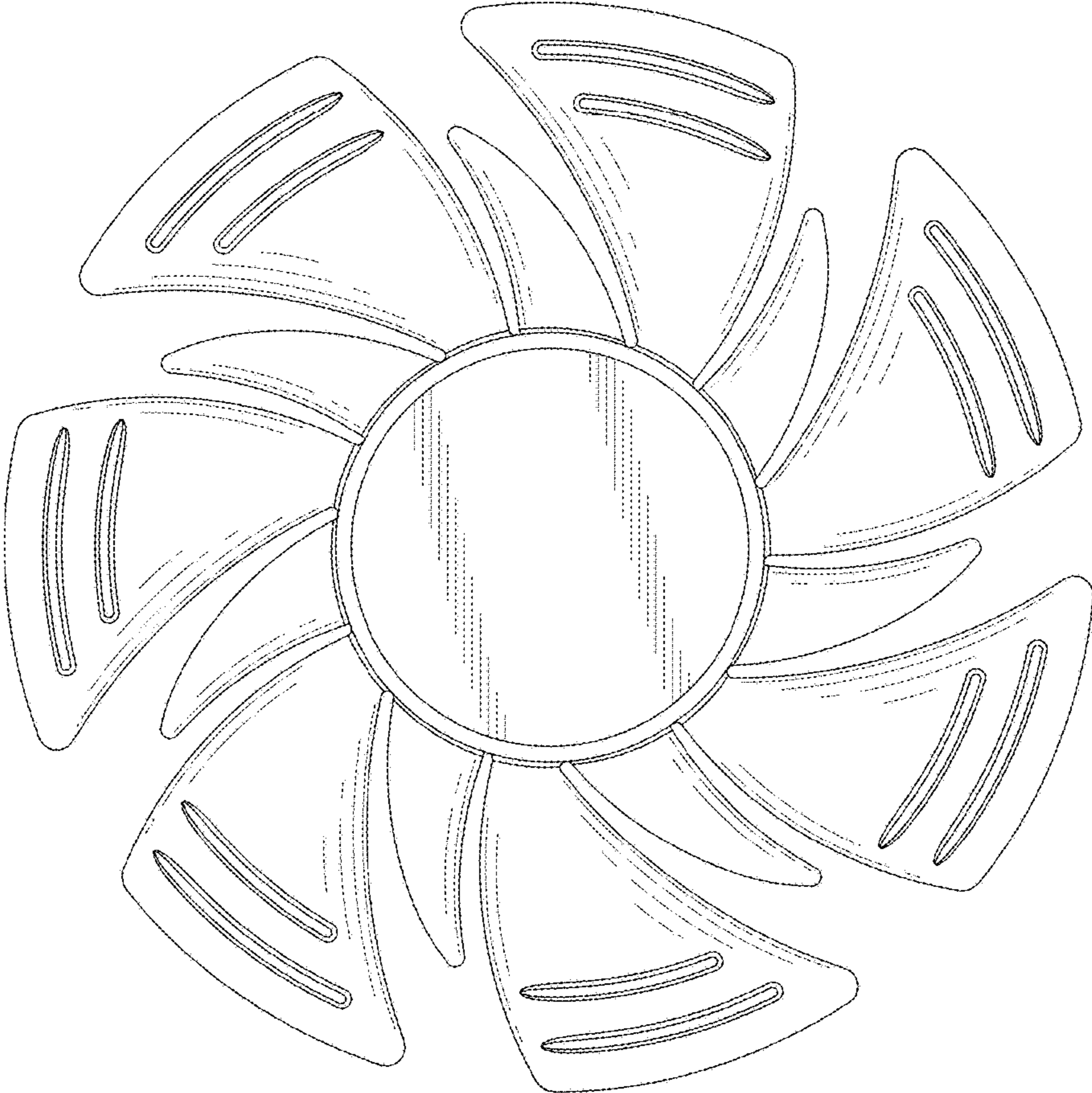


FIG.2

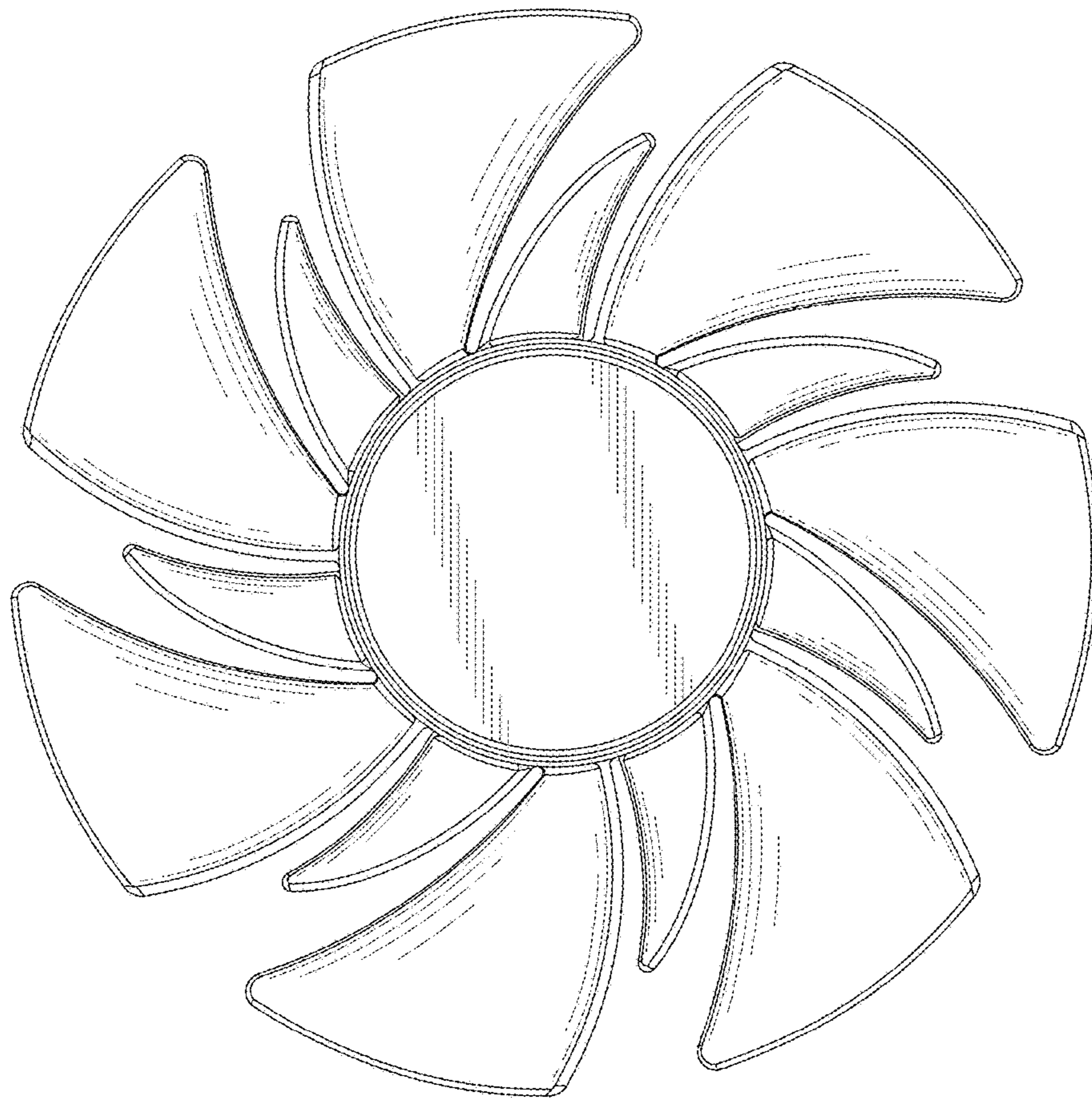


FIG.3

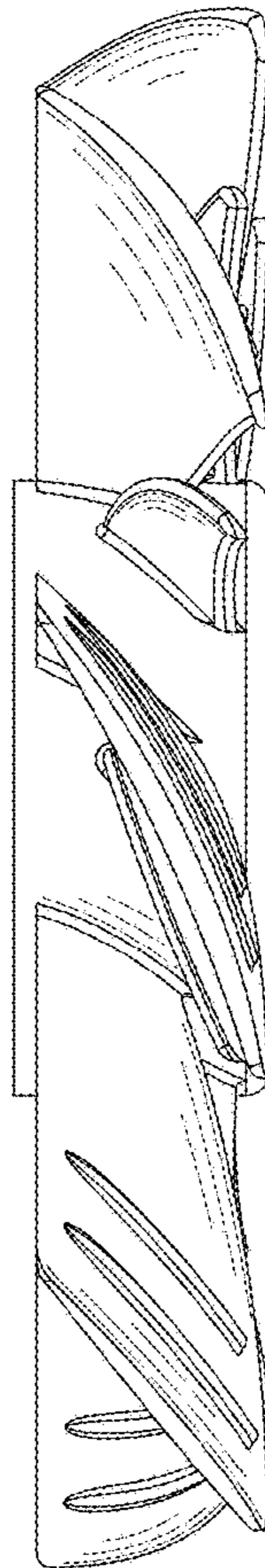


FIG.4

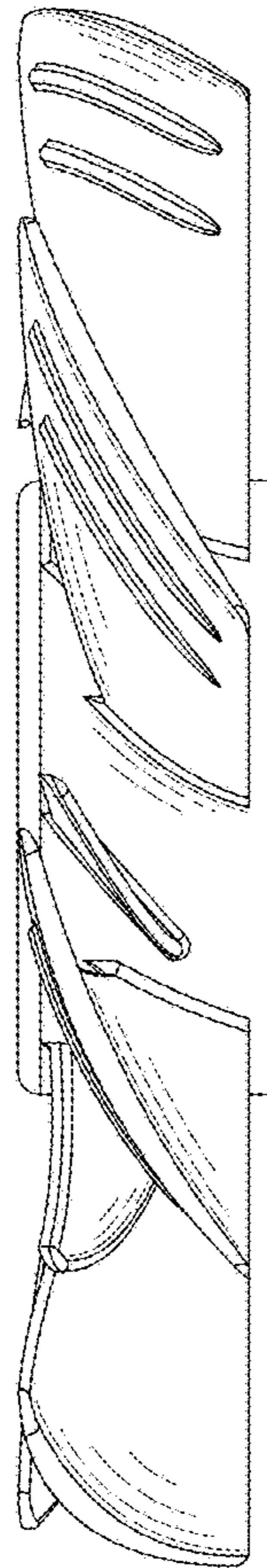


FIG.5

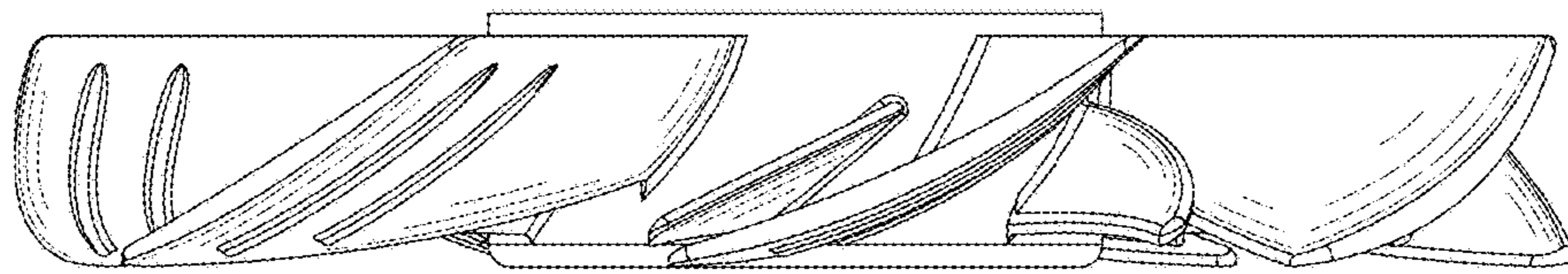


FIG. 6

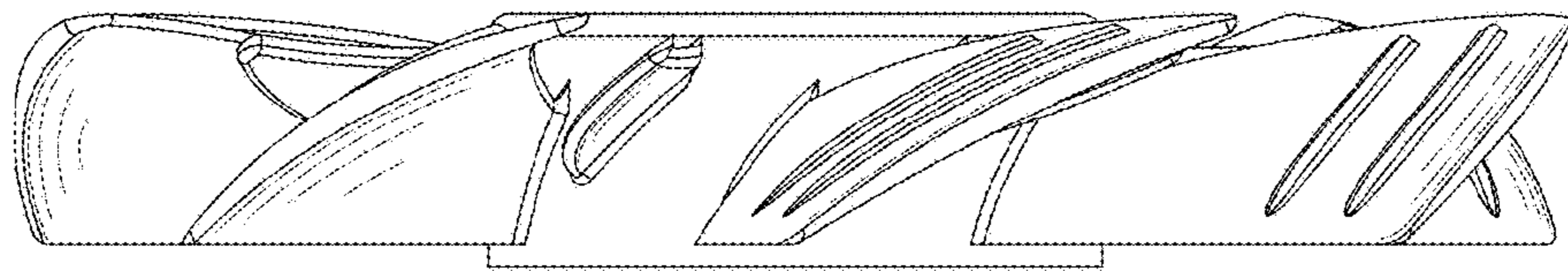


FIG. 7

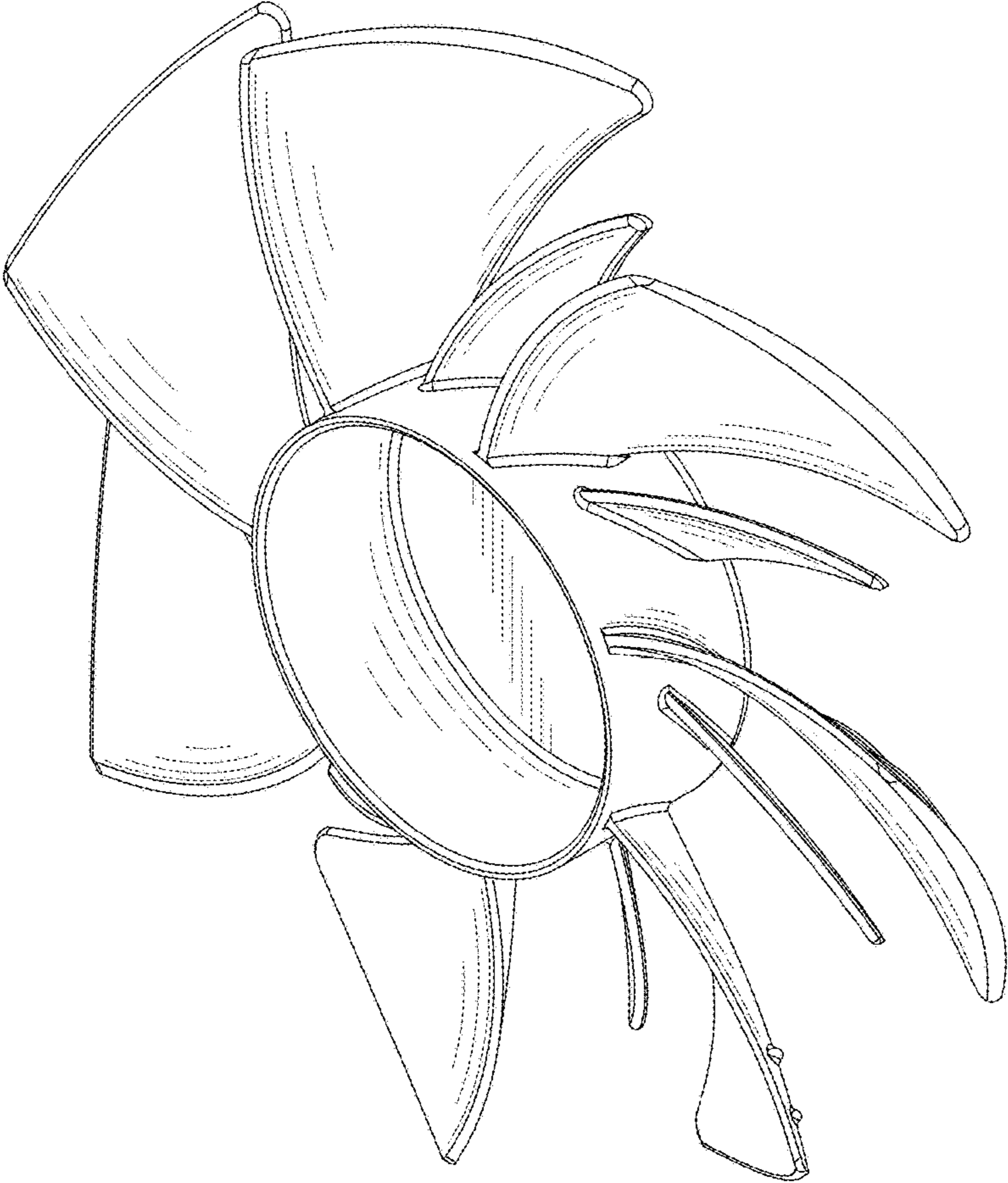


FIG.8

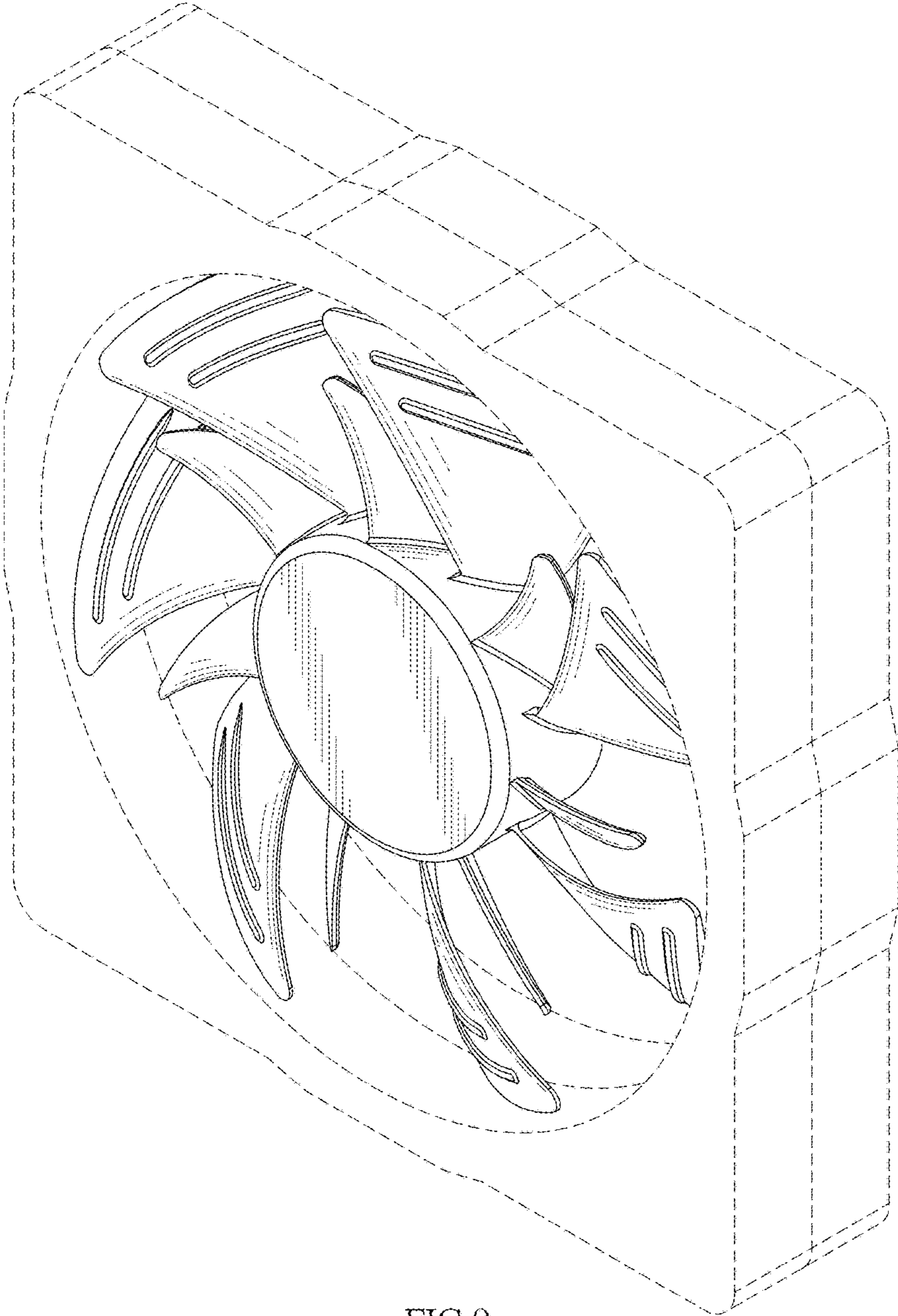


FIG.9