



US00D854141S

(12) **United States Design Patent** (10) **Patent No.:** **US D854,141 S**
Cartwright et al. (45) **Date of Patent:** **** Jul. 16, 2019**

(54) **AIR CIRCULATOR**

(71) Applicant: **VORNADO AIR LLC**, Andover, KS (US)

(72) Inventors: **Brian M. Cartwright**, Wichita, KS (US); **Glen W. Ediger**, North Newton, KS (US); **Jacob Hillard**, Wichita, KS (US); **Timothy Holub**, Cheney, KS (US); **Gary P. Israel**, Andover, KS (US)

(73) Assignee: **VORNADO AIR, LLC**, Andover, KS (US)

(*) Notice: This patent is subject to a terminal disclaimer.

(**) Term: **15 Years**

(21) Appl. No.: **29/544,456**

(22) Filed: **Nov. 3, 2015**

(51) **LOC (11) Cl.** **23-04**

(52) **U.S. Cl.**
USPC **D23/370**

(58) **Field of Classification Search**
USPC D23/370, 355, 314, 414; 415/121.1
CPC ... E03C 1/12; F24F 13/06; F24F 13/22; F24F 13/20; B01D 39/12; E03B 11/08
See application file for complete search history.

(56) **References Cited**

U.S. PATENT DOCUMENTS

D339,859 S * 9/1993 Cheslock D23/370
D683,010 S * 5/2013 Chen D23/370

D685,459 S * 7/2013 Pan D23/370
D692,996 S * 11/2013 Alexander D23/370
D727,488 S * 4/2015 Hsu D23/382
D760,370 S * 6/2016 Herbst D23/370
D768,838 S * 10/2016 Ritch D23/324
D777,899 S * 1/2017 Wark D23/370
D779,647 S * 2/2017 Burton D23/370
D817,473 S * 5/2018 Liu D23/382

* cited by examiner

Primary Examiner — Cynthia R Underwood

(74) *Attorney, Agent, or Firm* — Milligan PC LLO

(57) **CLAIM**

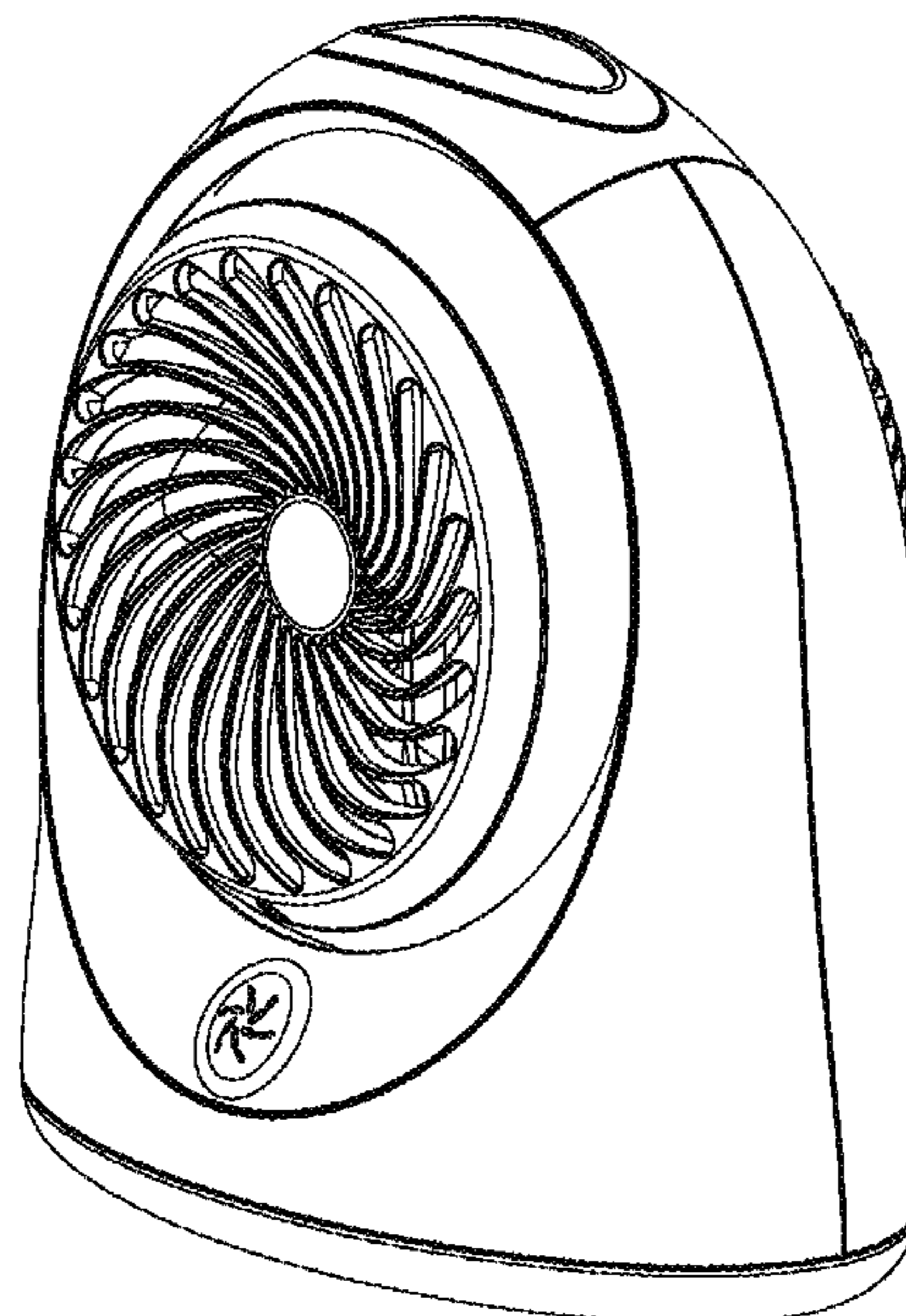
An ornamental design for an air circulator, as shown in the accompanying drawings.

DESCRIPTION

FIG. 1 is a left, front, top perspective view of an air circulator in accordance with the present invention; FIG. 2 is a right, front, top perspective view thereof; FIG. 3 is a left, rear, top perspective view thereof; FIG. 4 is a right, rear, top perspective view thereof; FIG. 5 is a right-side elevation view thereof; FIG. 6 is a left-side elevation view thereof; FIG. 7 is a front elevation view thereof; FIG. 8 is a bottom plan view thereof; and, FIG. 9 is a top plan view thereof.

In the drawings, the broken lines in FIGS. 1-9 depict portions of the design that form no part of the claim.

1 Claim, 9 Drawing Sheets



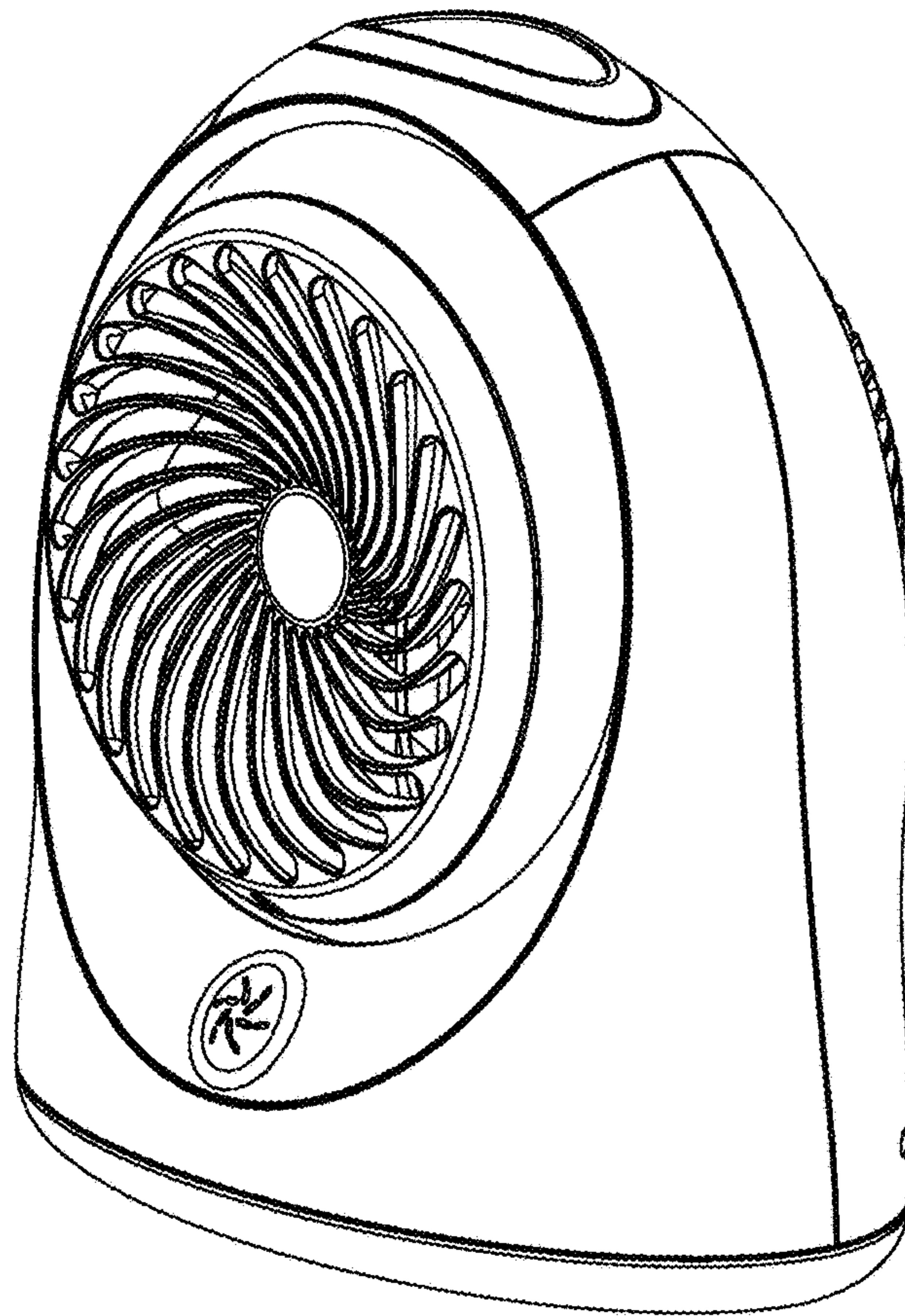


FIG. 1

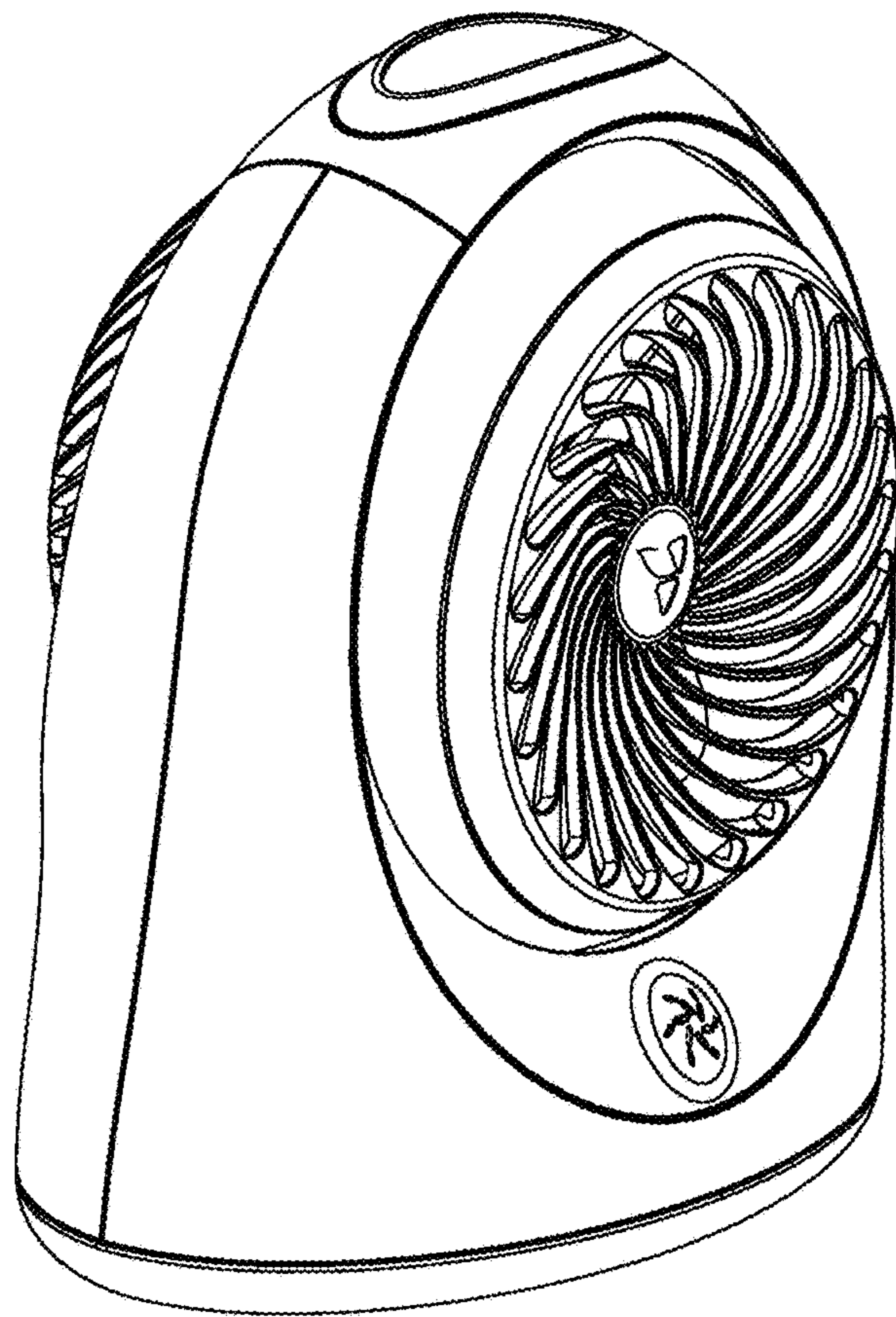


FIG. 2

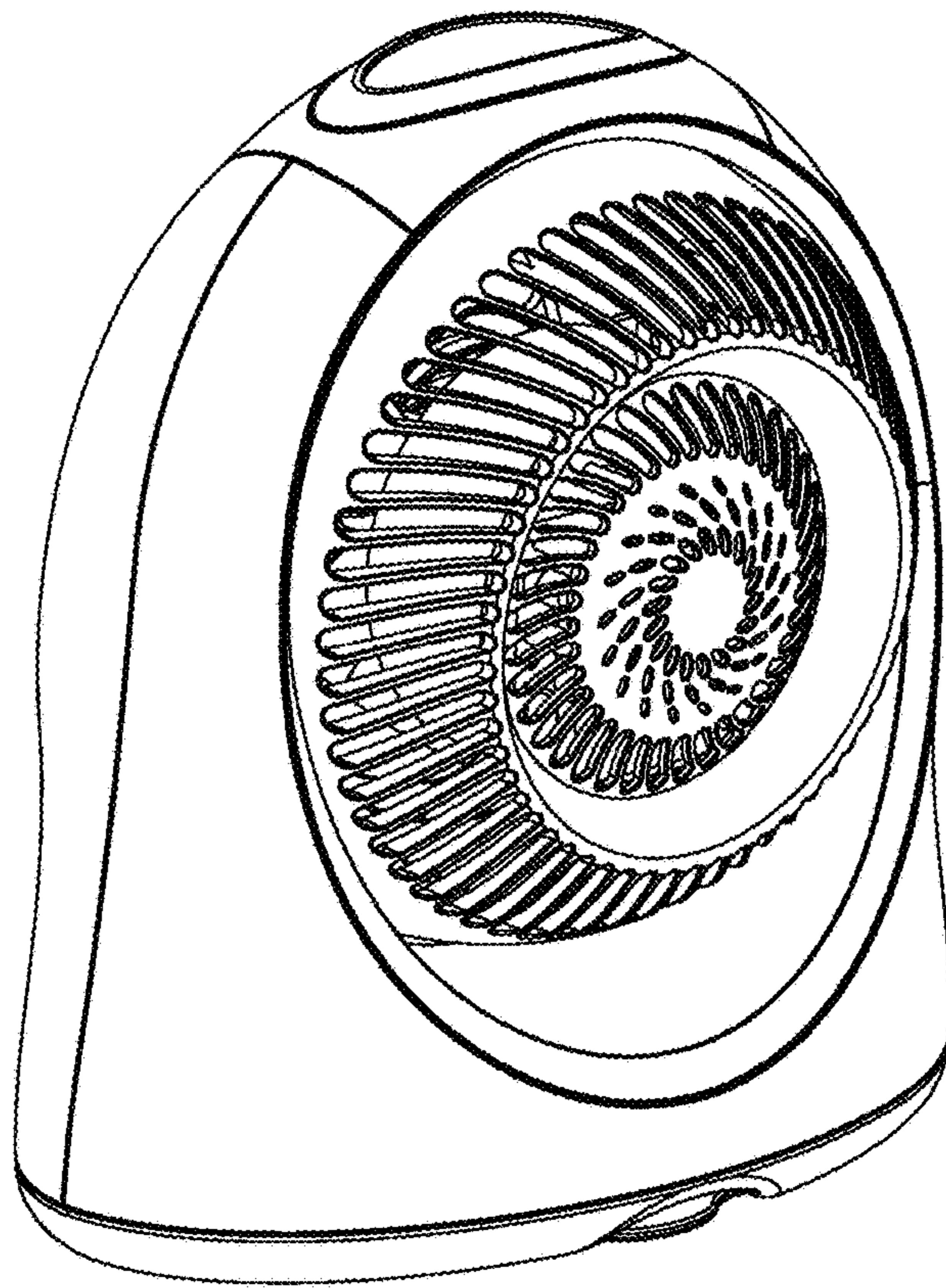


FIG. 3

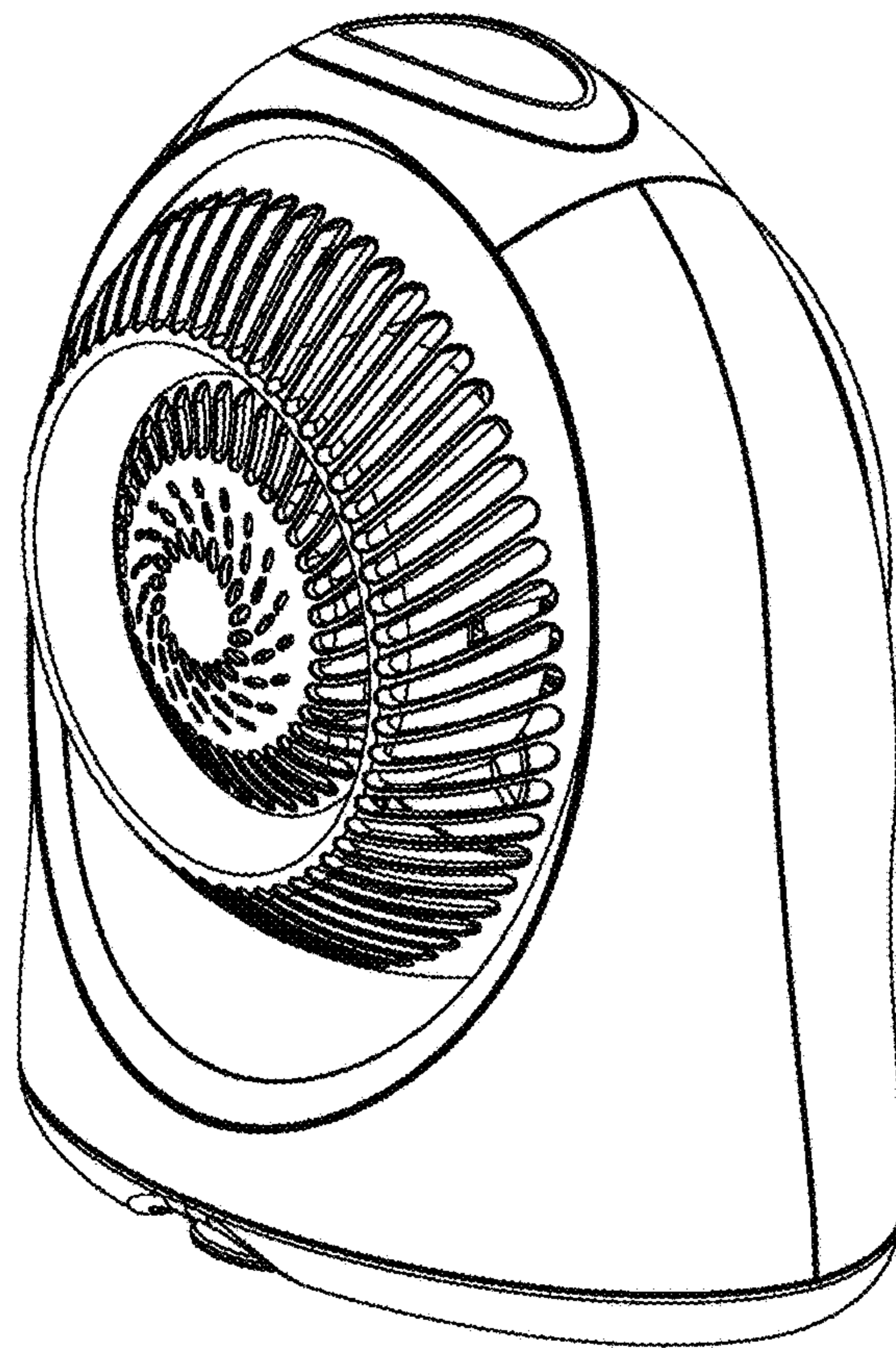


FIG. 4

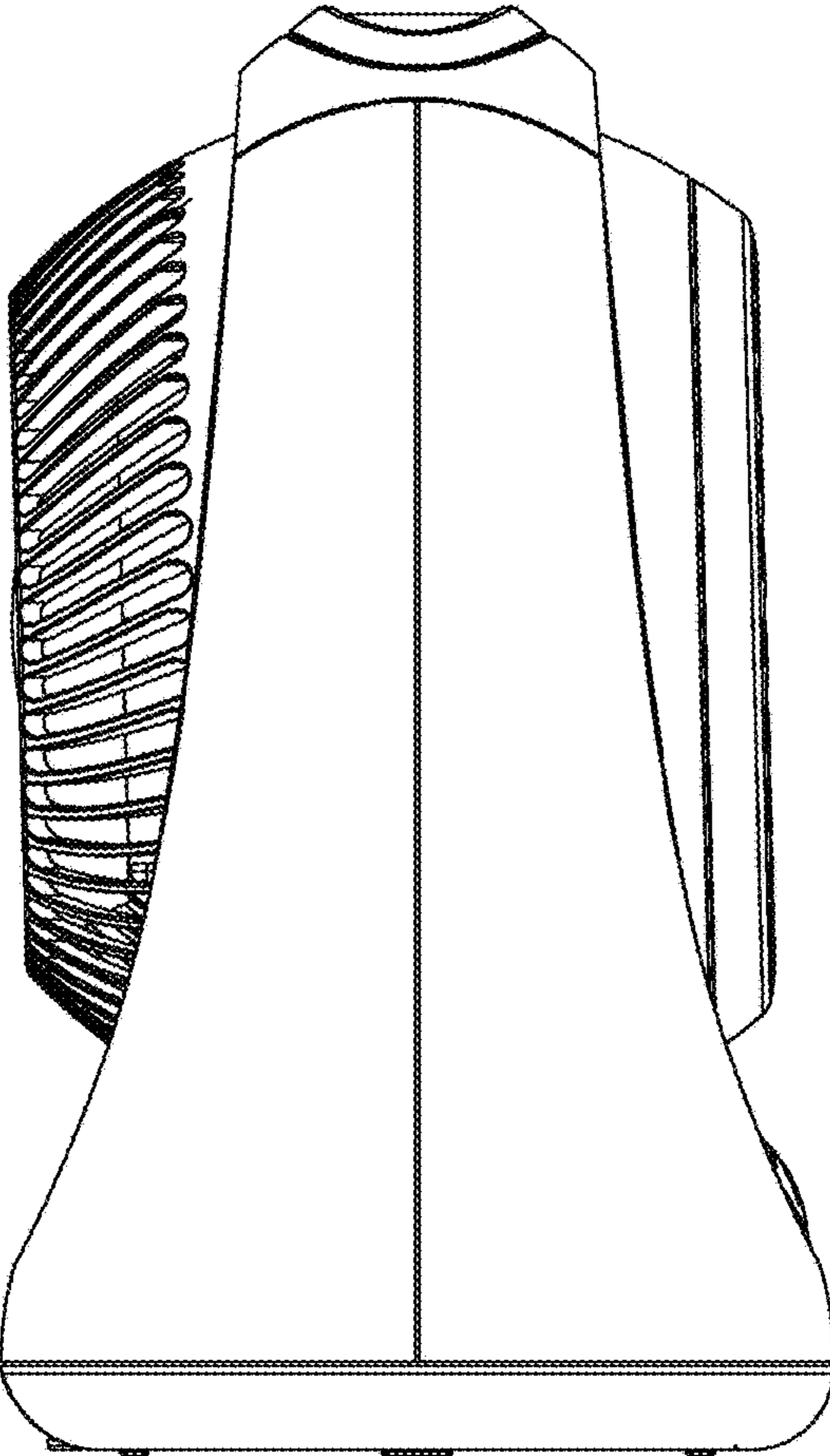


FIG. 5

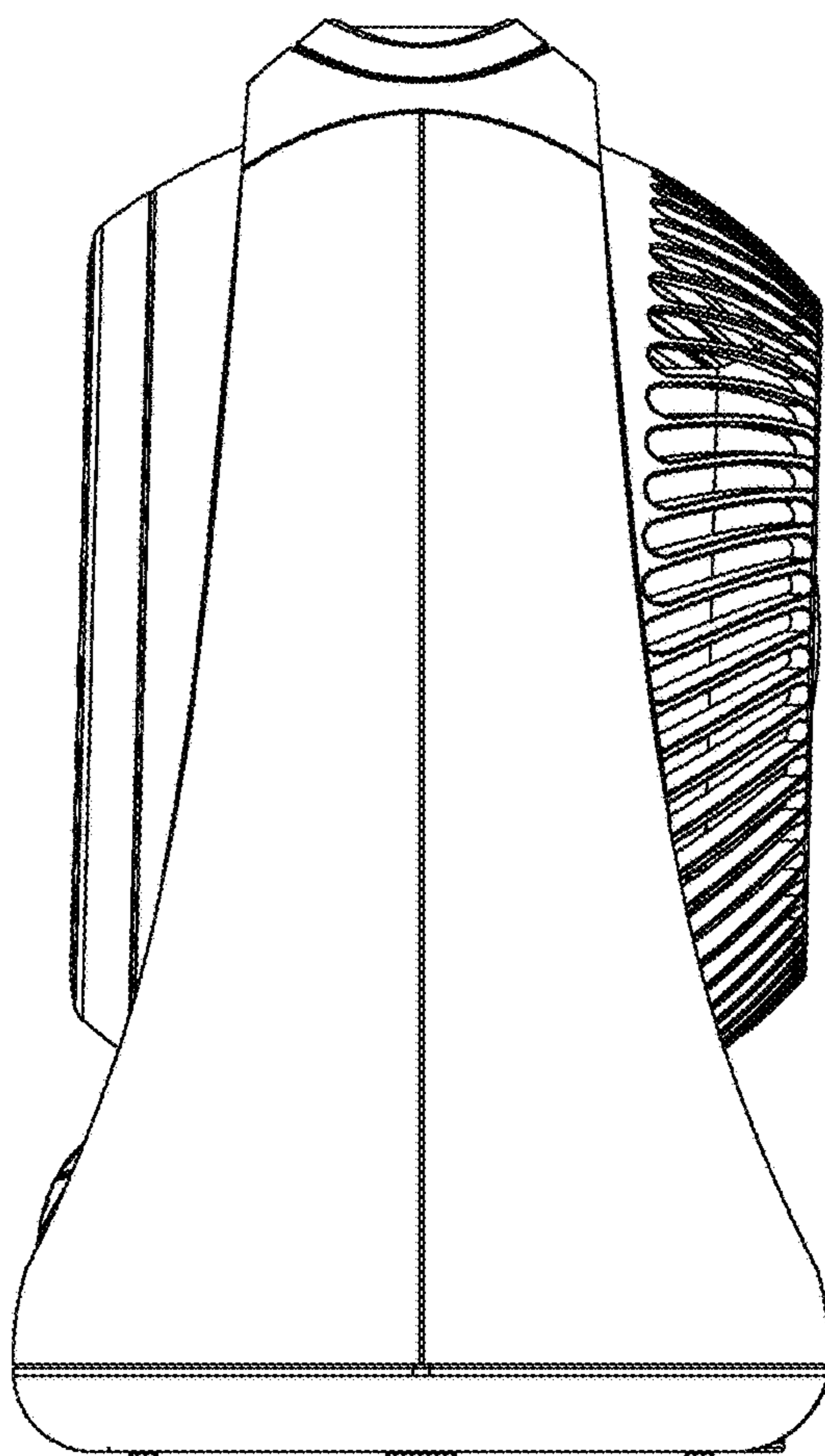


FIG. 6

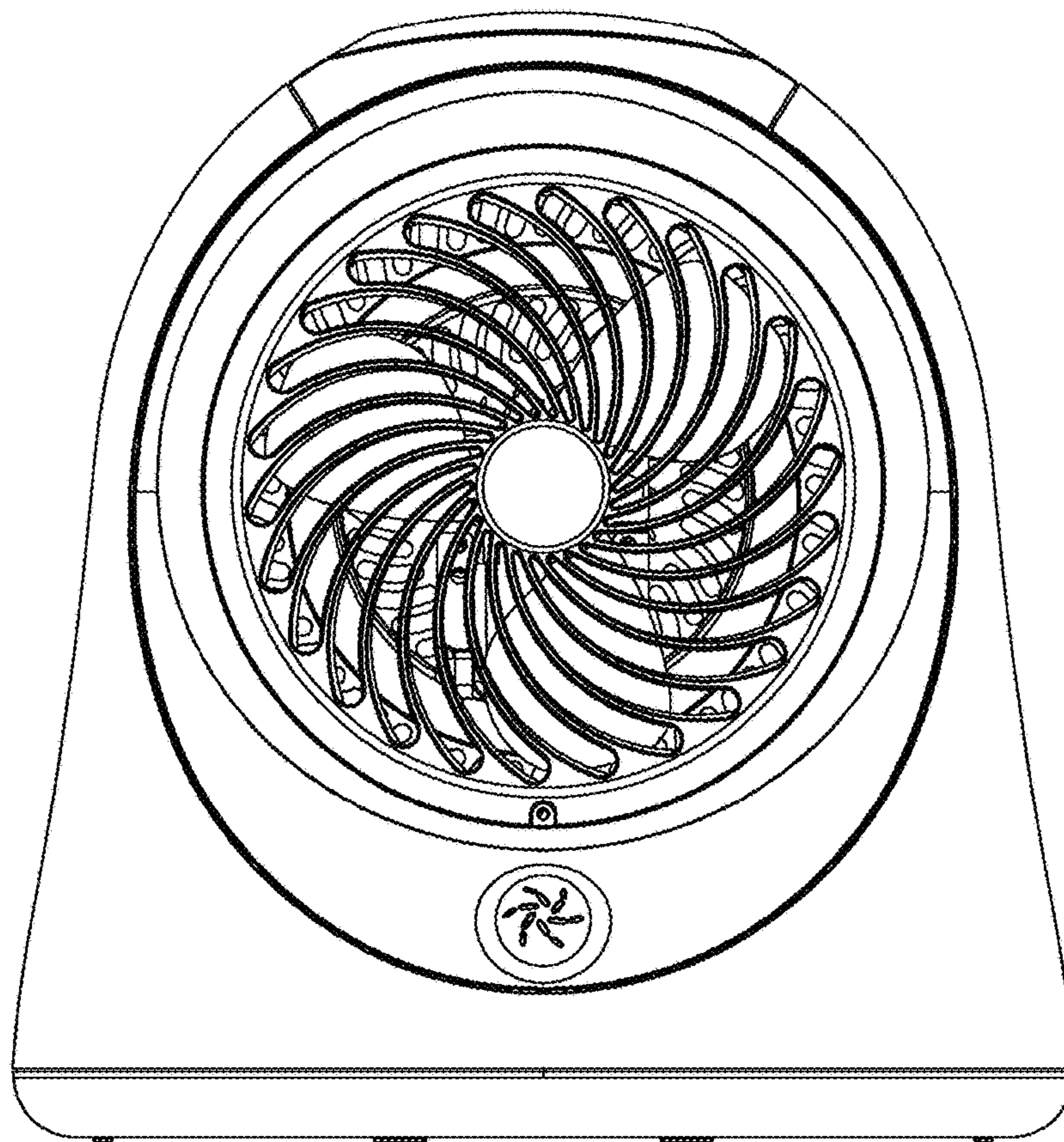


FIG. 7

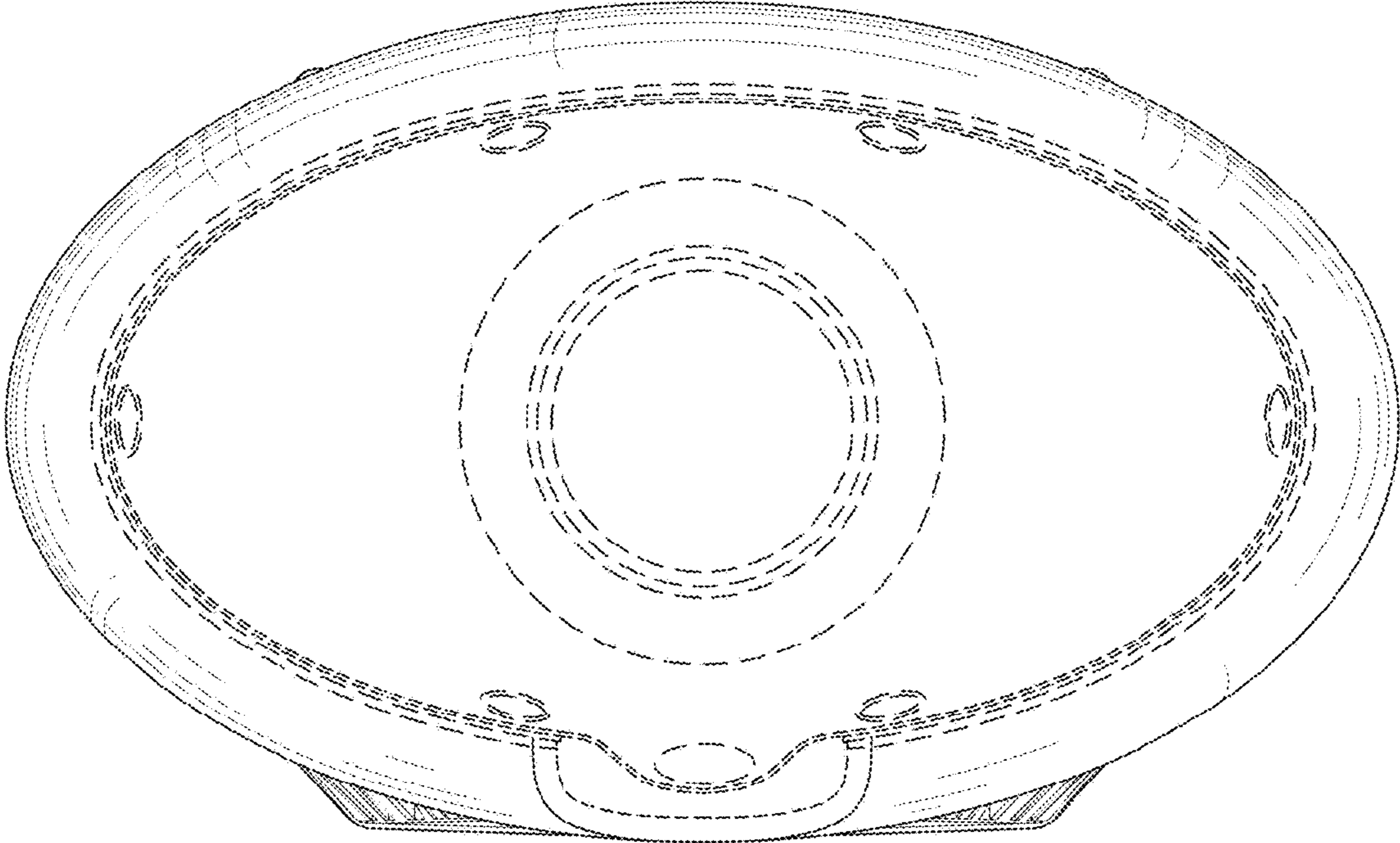


FIG. 8

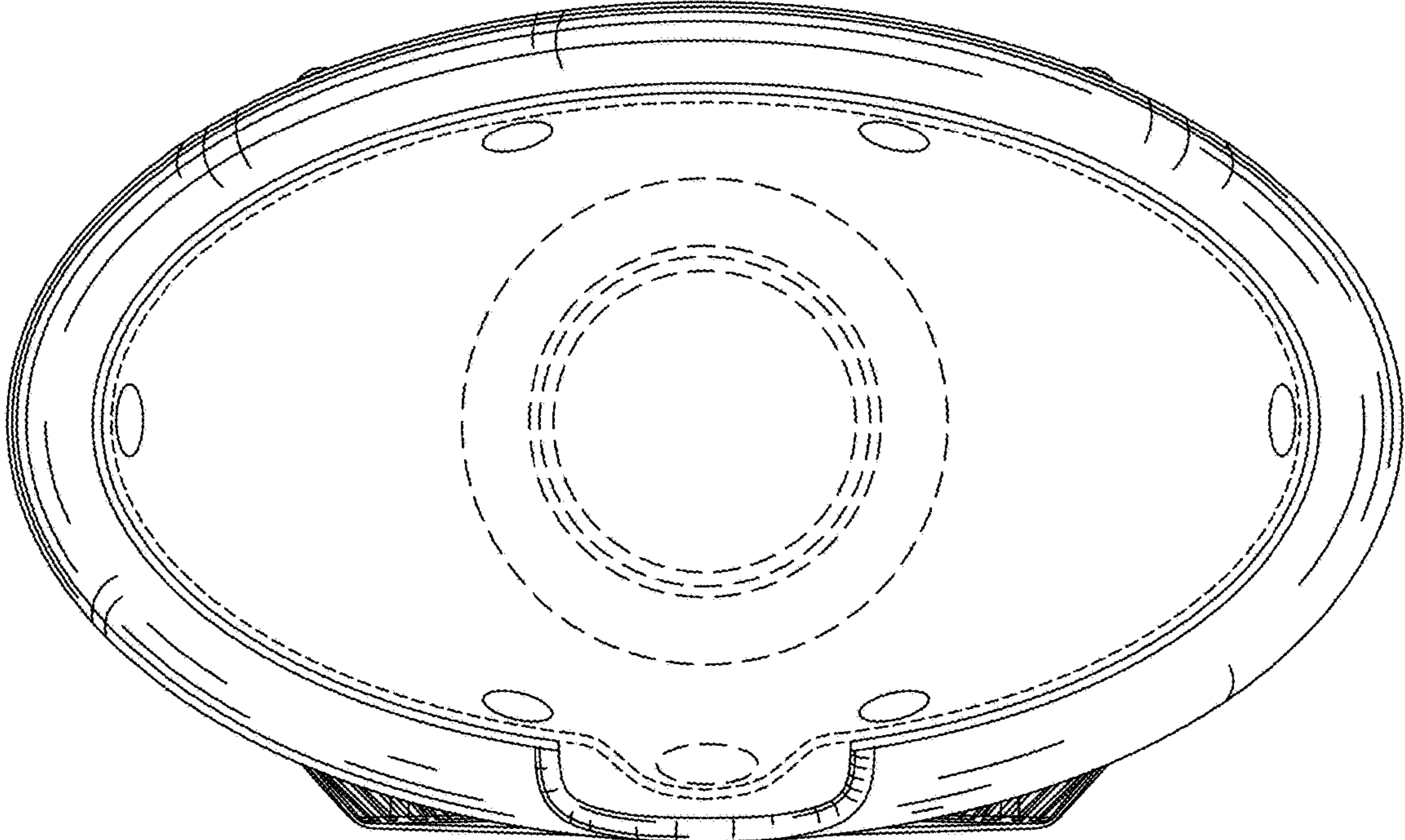


FIG. 9