

US00D854139S

(12) **United States Design Patent** (10) **Patent No.:** **US D854,139 S**  
**Jonsson et al.** (45) **Date of Patent:** **\*\* Jul. 16, 2019**

(54) **AIR FRESHENER**

(71) Applicant: **ZOBELE HOLDING SPA**, Trento (IT)

(72) Inventors: **Åsa Jonsson**, Trento (IT); **Walter Sordo**, Trento (IT)

(73) Assignee: **Zobeles Holding SPA**, Trento (IT)

(\*\*) Term: **15 Years**

(21) Appl. No.: **29/655,737**

(22) Filed: **Jul. 6, 2018**

**Related U.S. Application Data**

(62) Division of application No. 35/503,021, filed on Nov. 23, 2016 (U.S. filing date under 35 U.S.C. 384), and having an international filing date of Nov. 23, 2016.

(30) **Foreign Application Priority Data**

May 23, 2016 (ES) ..... 0523409

(51) **LOC (11) Cl.** ..... **29-99**

(52) **U.S. Cl.**  
USPC ..... **D23/366**

(58) **Field of Classification Search**  
USPC ..... D23/207, 208, 360, 364-369, 388;  
D22/119, 122  
CPC ..... A61L 9/00; A61L 9/02; A61L 9/03; A61L  
9/034; A61L 9/04; A61L 9/12; A61L  
9/032; A61L 9/122; A61L 9/127; A61L  
9/22; B01D 46/00; B01D 46/0002; B01D  
46/20; F02M 35/04; F24F 13/20; A62B  
21/00

See application file for complete search history.

(56) **References Cited**

U.S. PATENT DOCUMENTS

D634,415 S *	3/2011	Abbondanzio	.....	D23/366
D638,923 S *	5/2011	Choi	.....	D23/364
D672,858 S *	12/2012	Abbondanzio	.....	D23/366
D673,252 S *	12/2012	Abbondanzio	.....	D23/366
D691,255 S *	10/2013	Abbondanzio	.....	D23/366
D704,319 S *	5/2014	Cai	.....	D23/333
D713,517 S *	9/2014	Dodge	.....	D23/366
D750,210 S *	2/2016	Sayers	.....	D23/366
D764,043 S *	8/2016	Sanders	.....	D23/366
D764,650 S *	8/2016	Sanders	.....	D23/366
D768,834 S *	10/2016	Schuller	.....	D23/366

\* cited by examiner

*Primary Examiner* — Keli L Hill

(74) *Attorney, Agent, or Firm* — Ostrolenk Faber LLP

(57) **CLAIM**

The ornamental design for an air freshener, as shown and described.

**DESCRIPTION**

FIG. 1 is a rear illustration of an air freshener, according to an aspect of our new design.

FIG. 2 is a bottom view illustration thereof.

FIG. 3 is a top, front and right side perspective view illustration thereof.

FIG. 4 is a front view illustration thereof.

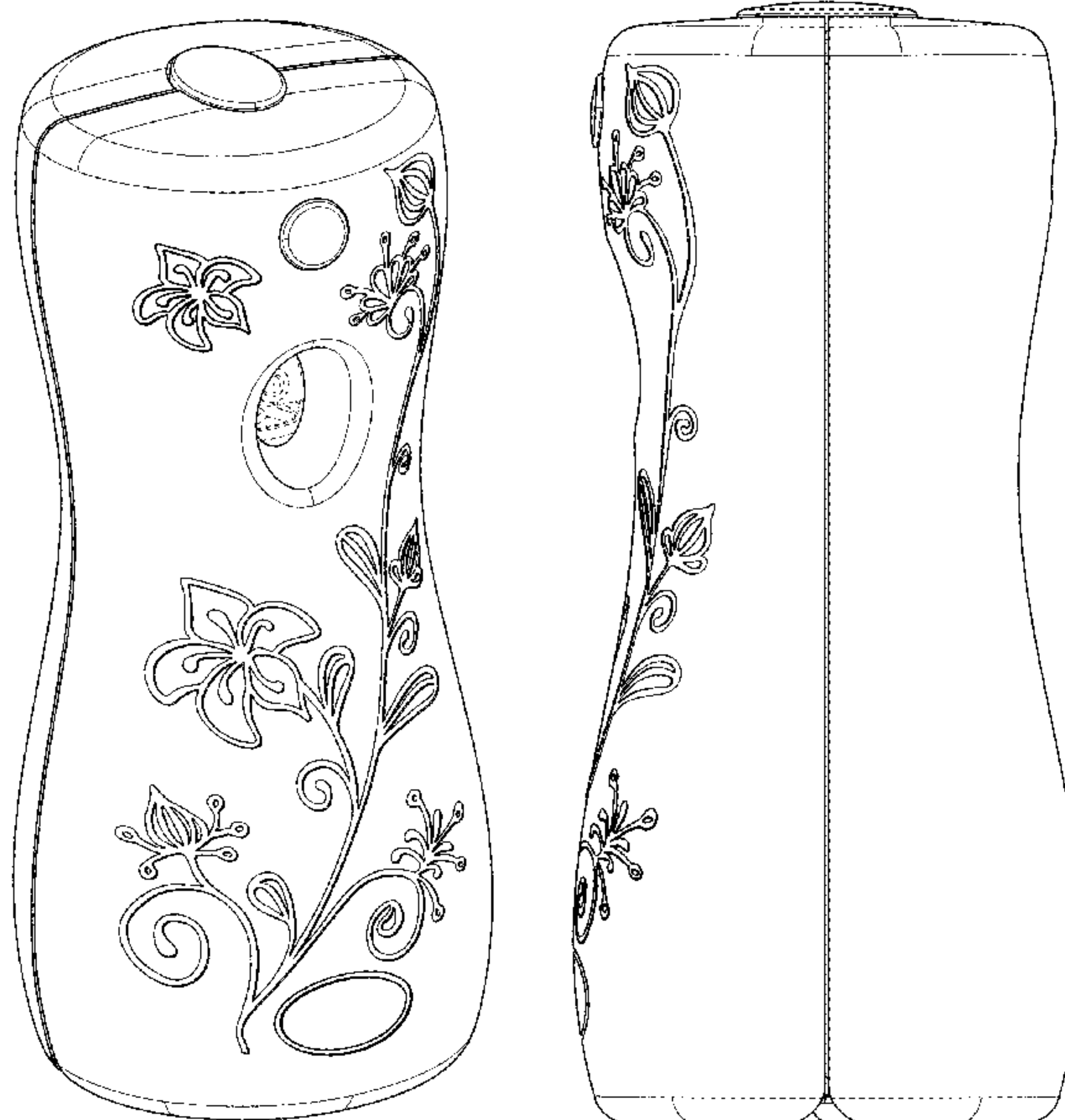
FIG. 5 is a top view illustration thereof.

FIG. 6 is a left side view illustration thereof; and,

FIG. 7 is a right side view illustration thereof.

The broken lines shown are included for the purpose of illustrating portions of the air freshener that form no part of the claim.

**1 Claim, 7 Drawing Sheets**



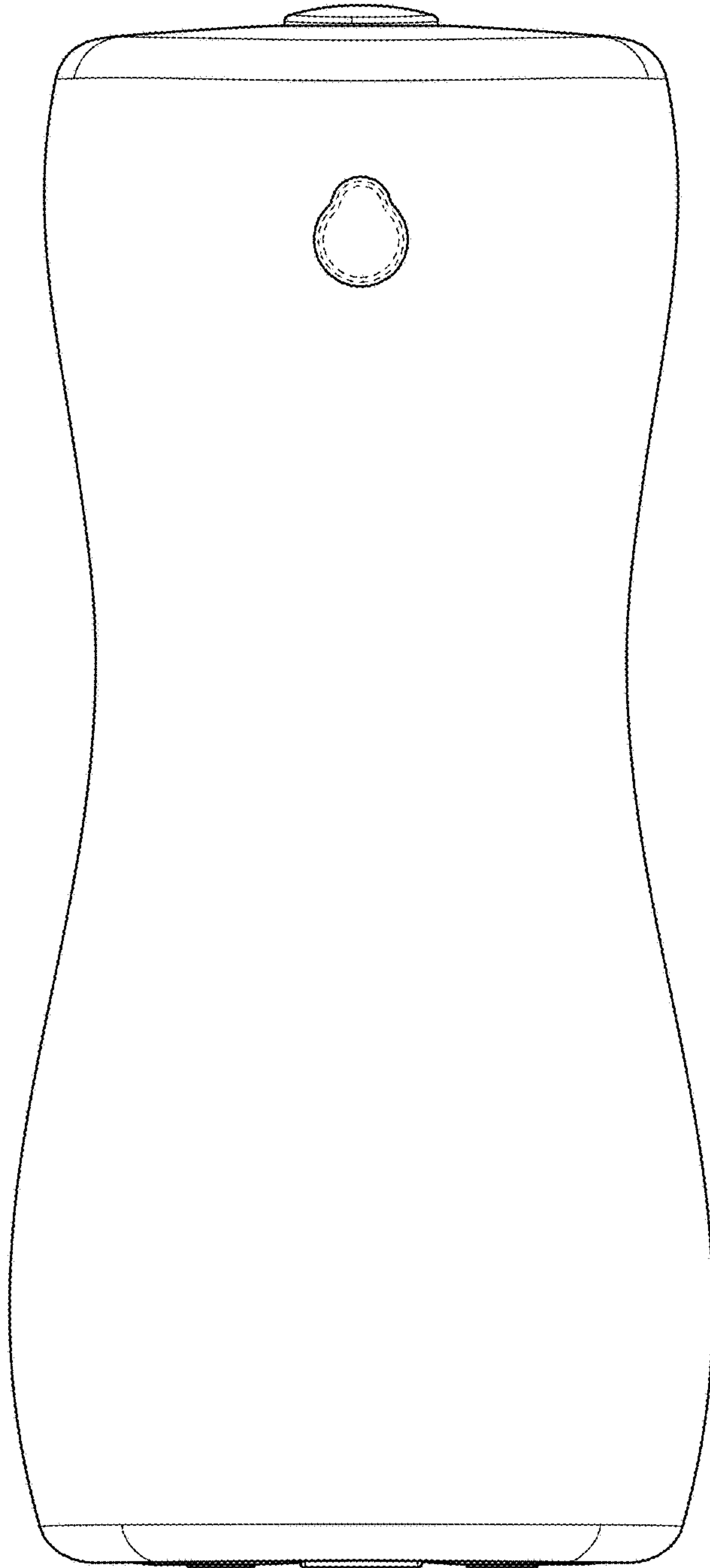


FIG. 1

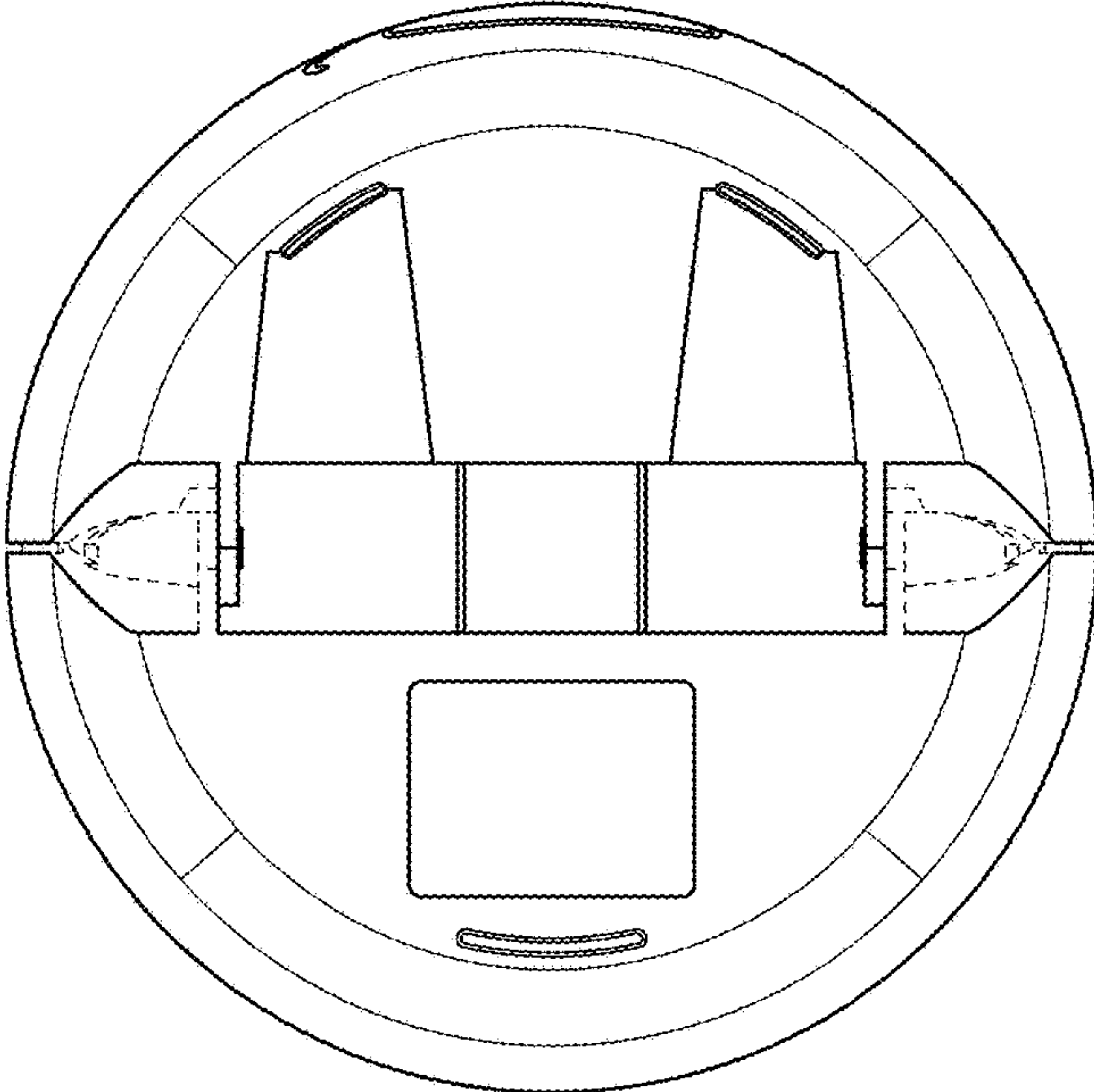


FIG. 2

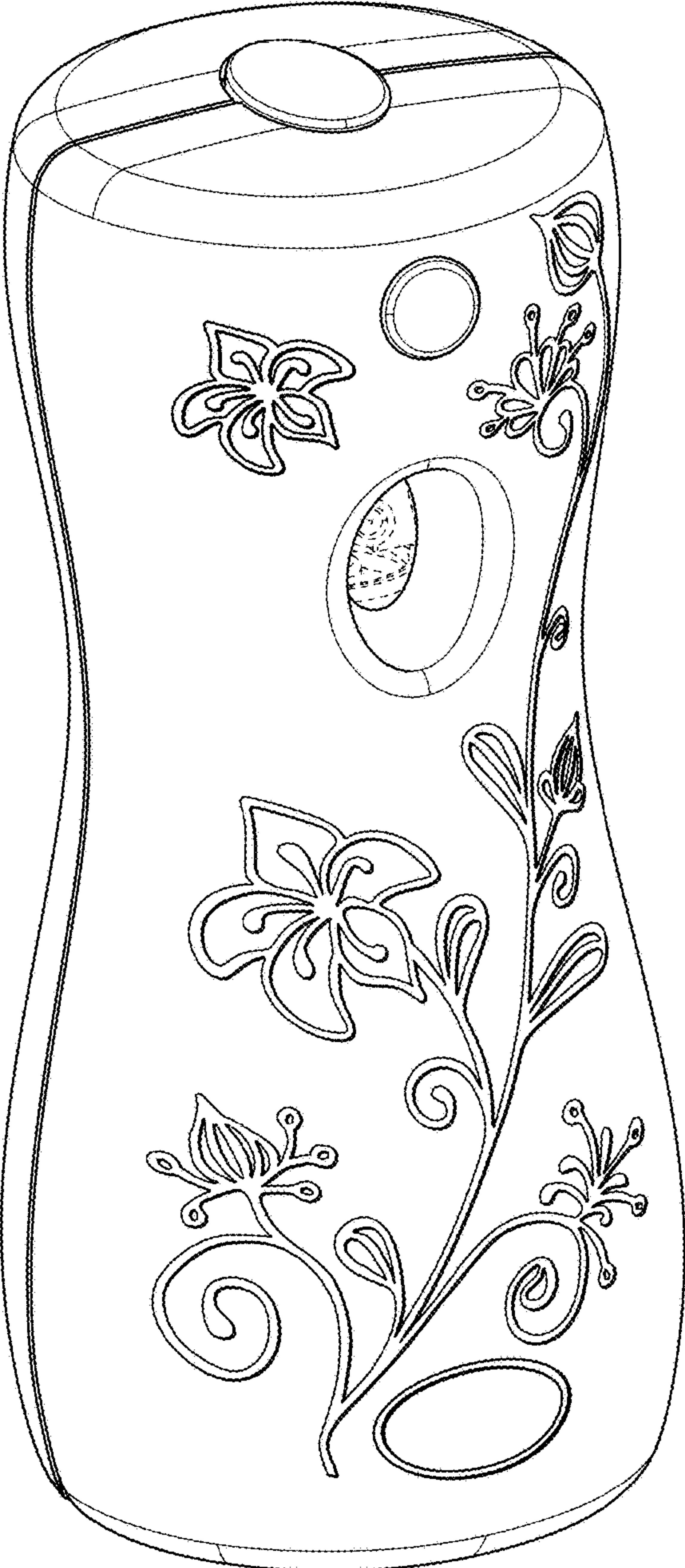


FIG. 3



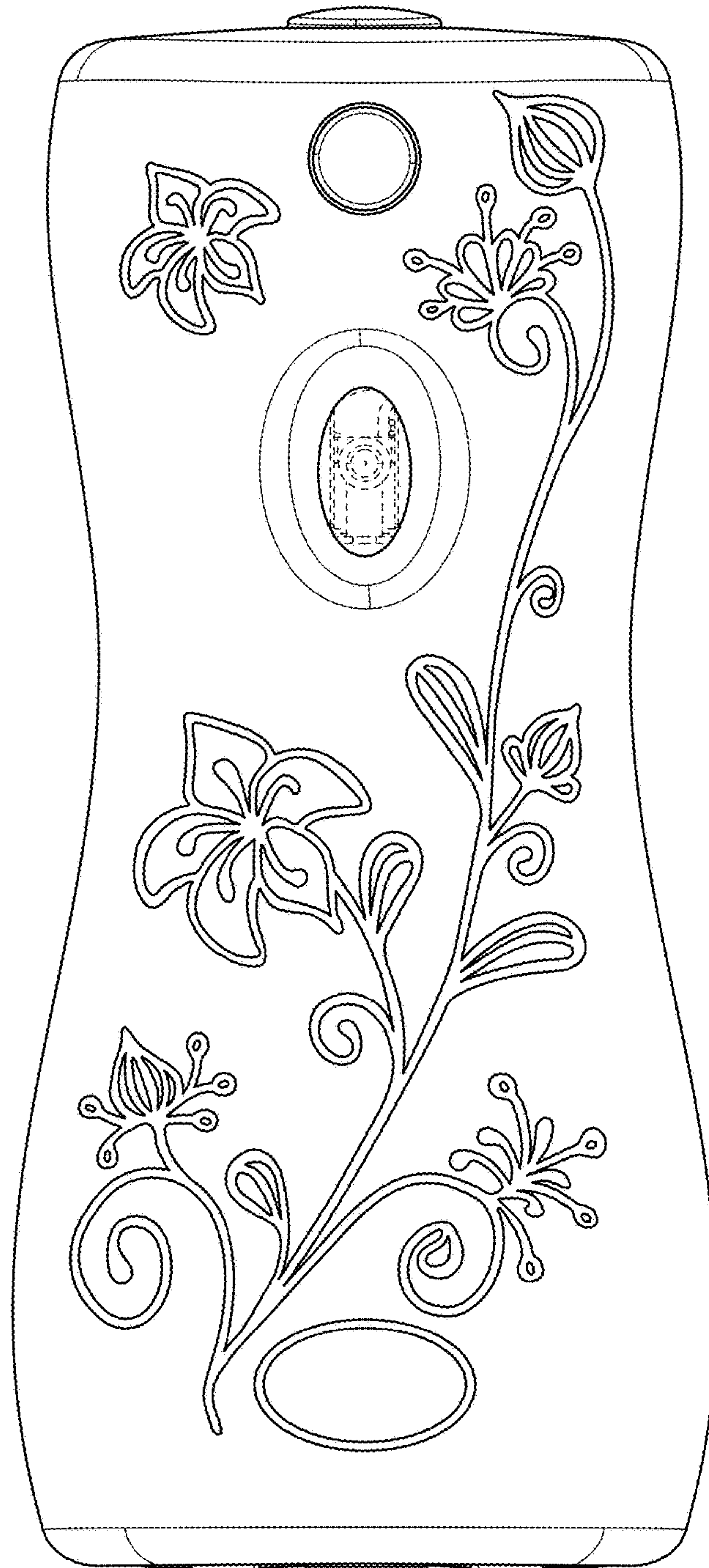


FIG. 4

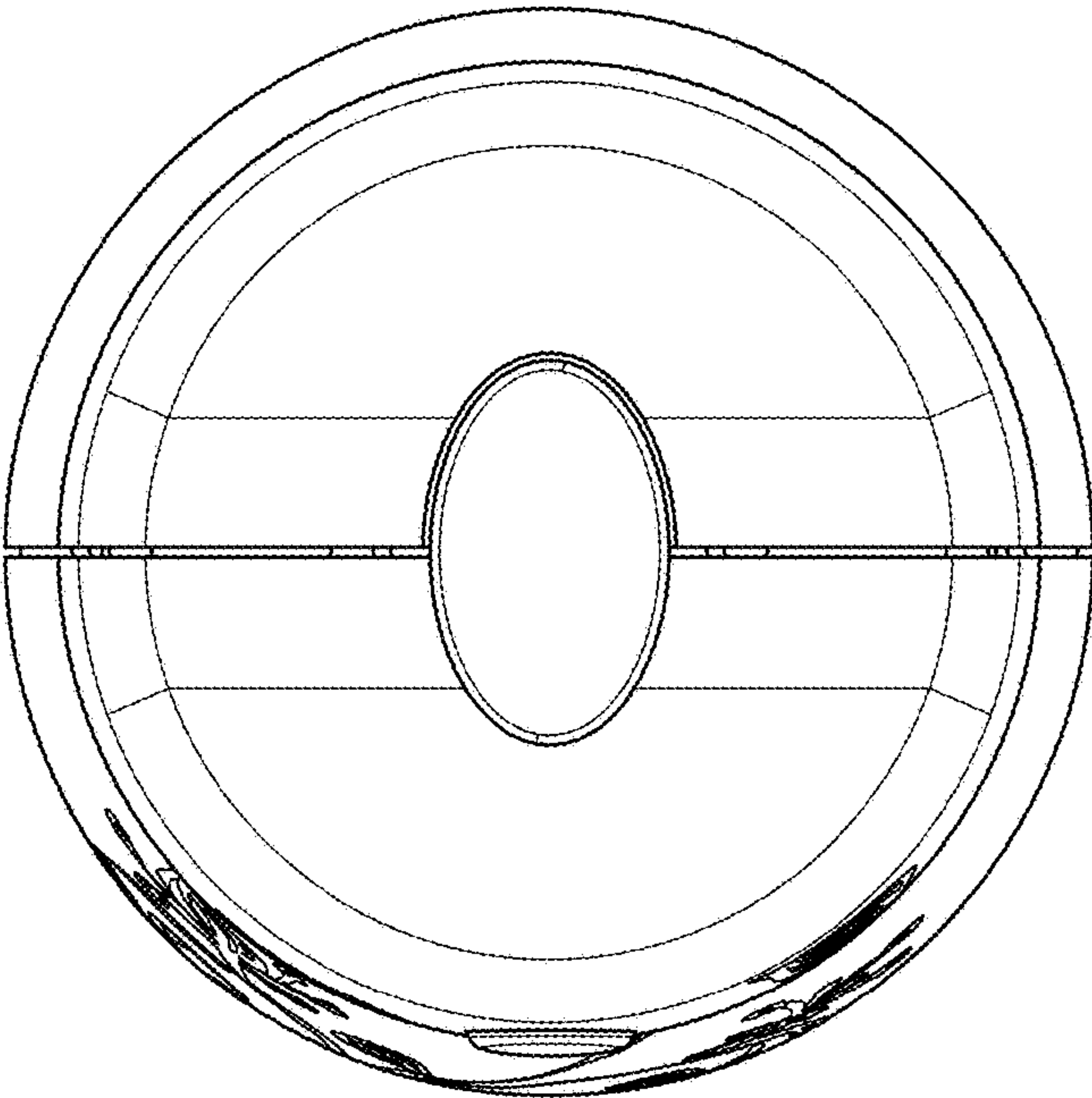


FIG. 5

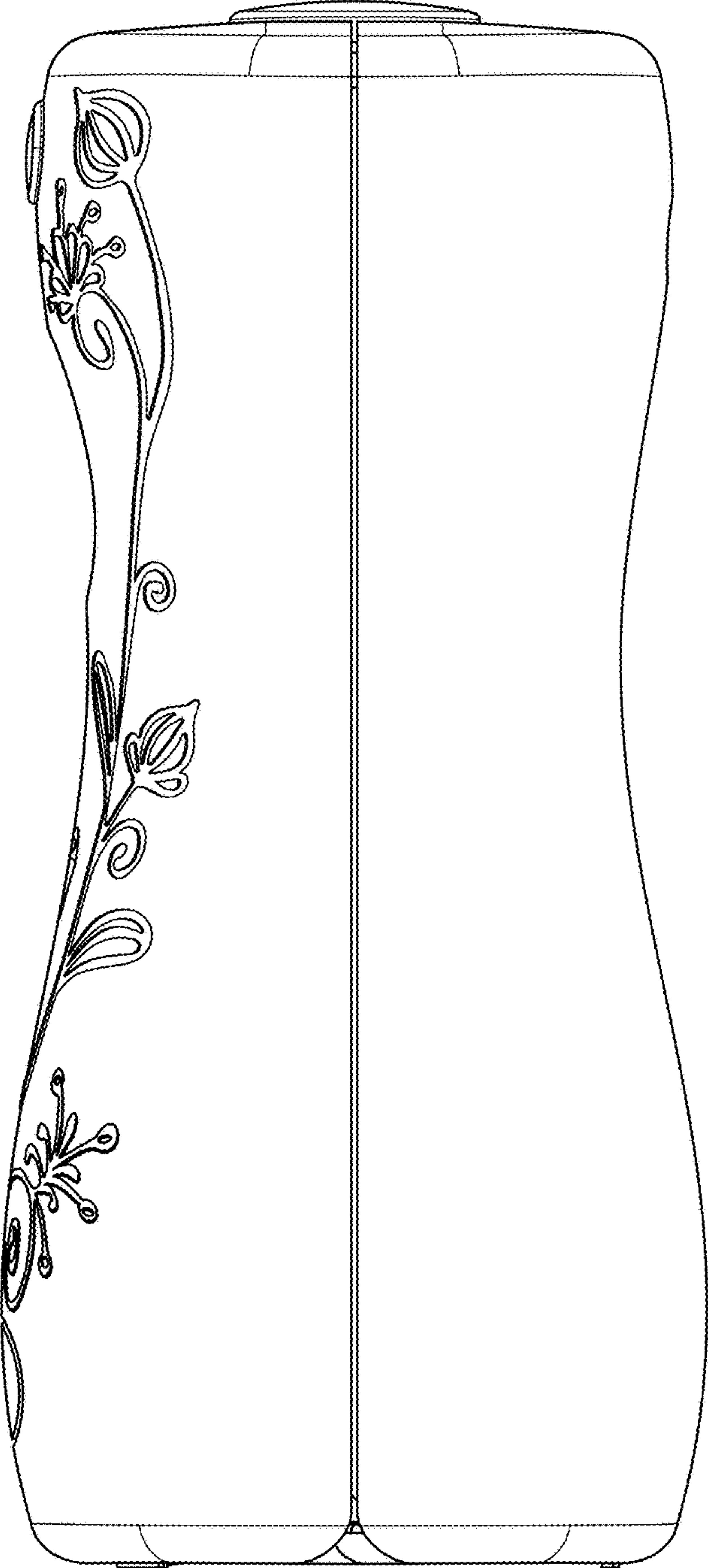


FIG. 6

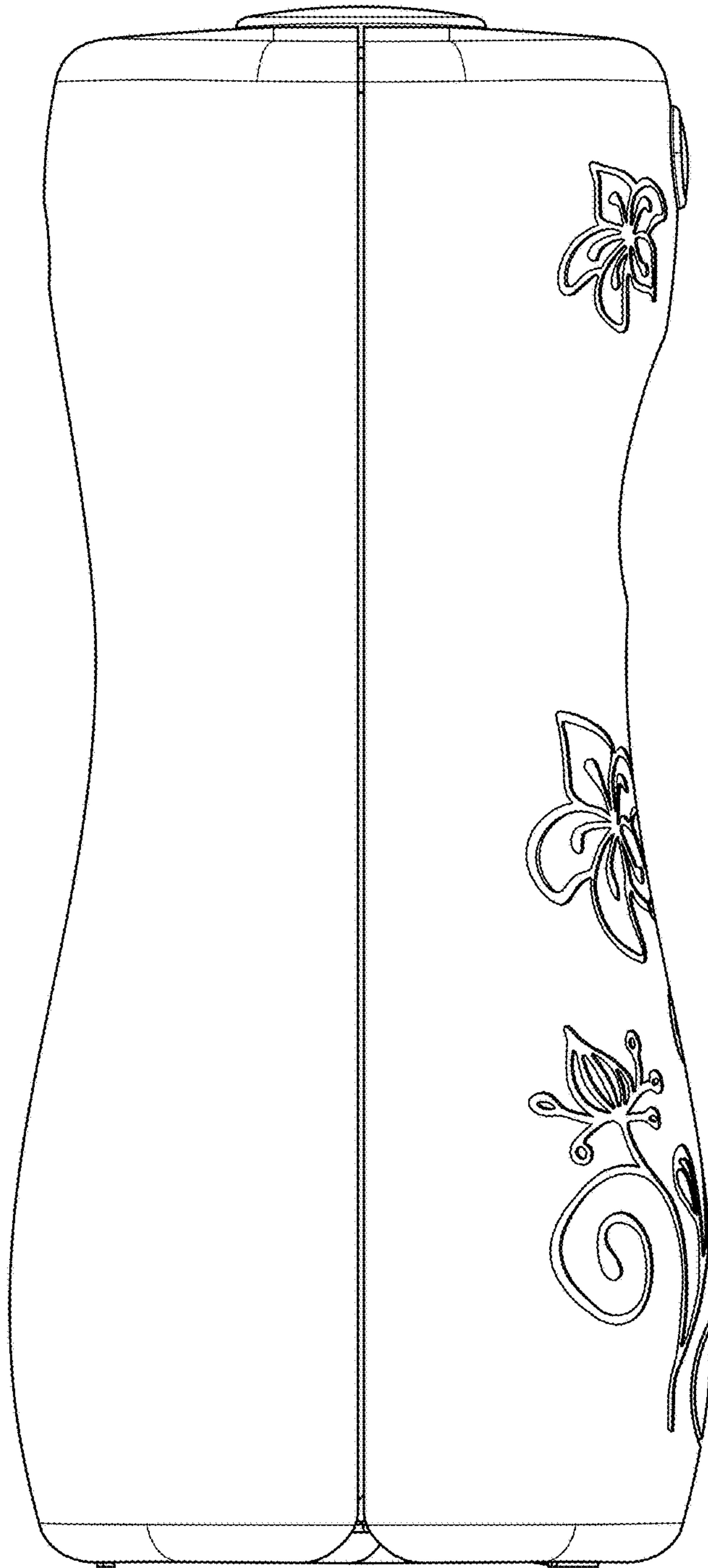


FIG. 7