



US00D854136S

(12) **United States Design Patent** (10) **Patent No.:** **US D854,136 S**
Musone (45) **Date of Patent:** **** Jul. 16, 2019**

- (54) **END CAP FOR AN AIR FILTER**
- (71) Applicant: **John Paul Musone**, York, PA (US)
- (72) Inventor: **John Paul Musone**, York, PA (US)
- (73) Assignee: **Clark Filter, Inc.**, Lancaster, PA (US)
- (**) Term: **15 Years**
- (21) Appl. No.: **29/611,631**
- (22) Filed: **Jul. 24, 2017**

D248,770 S * 8/1978 Michaelsen 165/129
 4,322,231 A 3/1982 Hilzendeger et al.
 4,410,427 A 10/1983 Wydeven
 (Continued)

FOREIGN PATENT DOCUMENTS

GB 1 516 721 7/1978
 WO WO 2007/097973 A1 8/2007
 (Continued)

OTHER PUBLICATIONS

Square End Cap Filter Cartridge reference found online [Sep. 12, 2018]—Square End Cap Filter Cartridge.*
 (Continued)

Related U.S. Application Data

- (63) Continuation of application No. 14/688,541, filed on Apr. 16, 2015.
- (51) **LOC (11) Cl.** **23-04**
- (52) **U.S. Cl.**
USPC **D23/365**
- (58) **Field of Classification Search**
USPC D23/207–209, 235, 341, 358, 363–365;
D15/5; D32/21–25, 31, 32; D24/144,
D24/232–234
CPC F02M 35/04; F02M 35/10; F02M 35/024;
B01D 46/0002; B01D 46/10; B01D
46/0004; B01D 46/0041; F25D 23/12
See application file for complete search history.

Primary Examiner — Lakiya G Rogers
Assistant Examiner — John A Voytek
 (74) *Attorney, Agent, or Firm* — Reinhart Boerner Van Deuren P.C.

(57) **CLAIM**

I claim the ornamental design for the end cap for an air filter, as shown and described.

DESCRIPTION

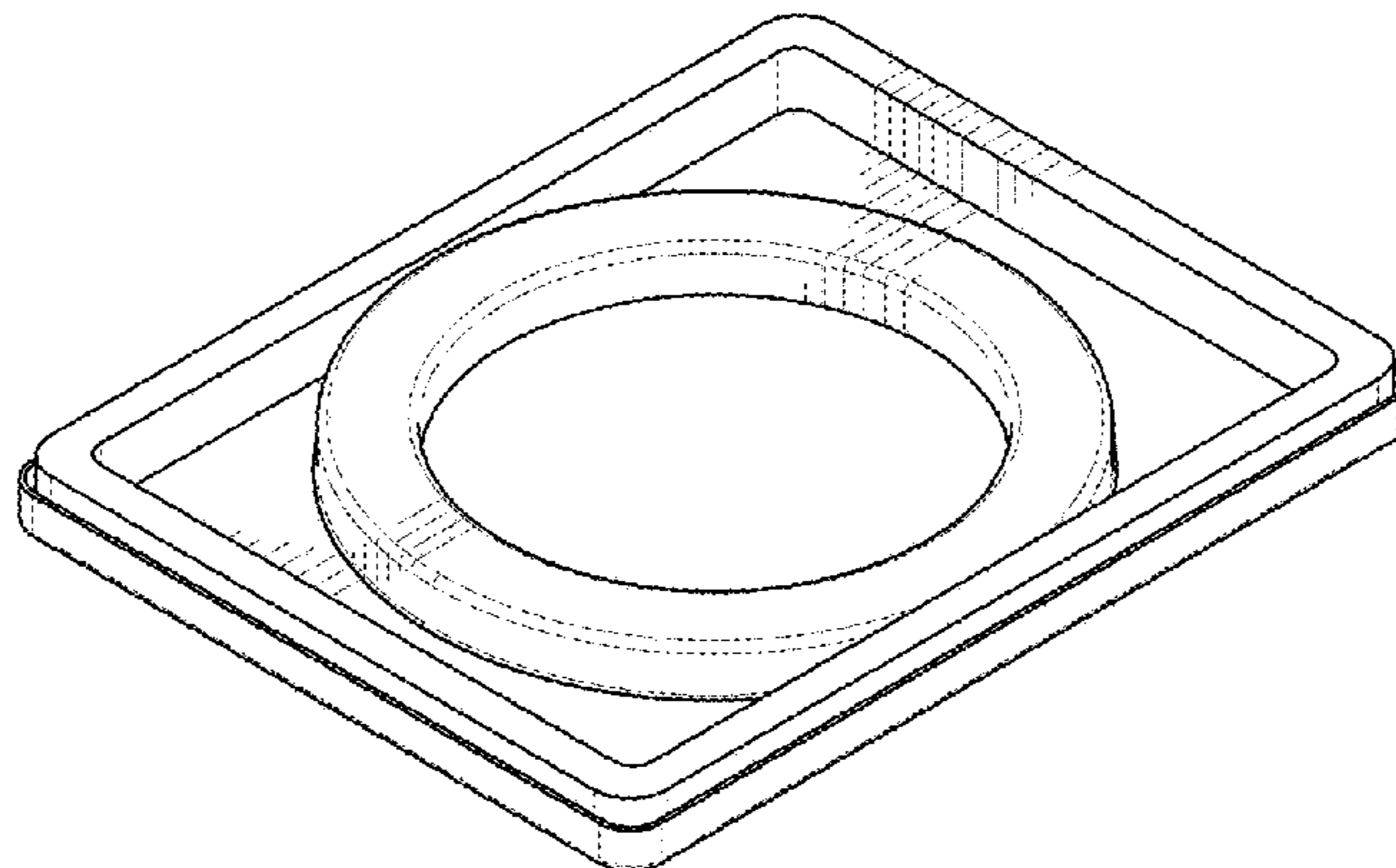
FIG. 1 is a top perspective view of the top end cap for an air filter embodying our new design.
 FIG. 2 is another top perspective view of the top end cap of FIG. 1, as viewed from a different perspective;
 FIG. 3 is a bottom perspective view of the top end cap shown in FIG. 1;
 FIG. 4 is another bottom perspective view of the top end cap of FIG. 3, as viewed from a different perspective;
 FIG. 5 is a top view of the top end cap of FIG. 1;
 FIG. 6 is a bottom view of the top end cap of FIG. 1;
 FIG. 7 is a front side view of the top end cap of FIG. 1;
 FIG. 8 is a rear side view of the top end cap of FIG. 1;
 FIG. 9 is right side view of the top end cap of FIG. 1; and,
 FIG. 10 is a left side view of the top end cap of FIG. 1.

(56) **References Cited**

U.S. PATENT DOCUMENTS

- 2,546,779 A * 3/1951 Polcyn A61F 5/445
604/337
- 3,334,752 A 8/1967 Matravers
- 3,350,860 A 11/1967 Grassel et al.
- 3,680,286 A 8/1972 Nostrand et al.
- 3,912,473 A * 10/1975 Wilkins B01D 46/10
126/299 D
- 4,078,036 A 3/1978 Keefer

1 Claim, 4 Drawing Sheets



(56)

References Cited

U.S. PATENT DOCUMENTS

4,557,739 A 12/1985 Fortman et al.
 4,704,144 A 11/1987 LeBlanc et al.
 4,738,697 A * 4/1988 Westergren A47L 9/1427
 55/376
 4,746,339 A 5/1988 Millard
 4,900,342 A * 2/1990 Spengler B01D 46/10
 415/119
 5,013,333 A 5/1991 Beaufoy et al.
 5,120,337 A 6/1992 Benzler et al.
 5,167,683 A 12/1992 Behrendt et al.
 D371,828 S * 7/1996 Priest D23/269
 5,547,480 A 8/1996 Coulonvaux
 5,746,792 A 5/1998 Clements et al.
 5,792,247 A 8/1998 Gillingham et al.
 D398,046 S * 9/1998 Gillingham B01D 46/527
 D23/365
 5,820,646 A 10/1998 Gillingham et al.
 5,840,188 A 11/1998 Kirsgalvis
 D403,060 S * 12/1998 Flor D23/365
 5,919,279 A 7/1999 Merritt et al.
 5,961,696 A 10/1999 Gombos
 5,972,059 A 10/1999 Morgan
 D441,067 S * 4/2001 Flor D23/365
 6,245,130 B1 6/2001 Maybee et al.
 D459,457 S * 6/2002 Pillion D23/364
 6,440,188 B1 8/2002 Clements et al.
 6,780,217 B1 8/2004 Palmer
 D557,394 S * 12/2007 Martin, Sr. D23/355
 D575,860 S * 8/2008 Wu D23/366
 7,524,349 B2 4/2009 Schrage et al.
 D599,896 S * 9/2009 Choi D23/364
 8,673,037 B2 3/2014 Morgan et al.

9,174,155 B2 11/2015 Morgan et al.
 D752,195 S * 3/2016 Choi D23/364
 D770,026 S 10/2016 Morgan et al.
 D785,678 S * 5/2017 Aoki D15/5
 D800,887 S * 10/2017 Patton D23/366
 D802,024 S * 11/2017 Aoki D15/5
 2004/0112020 A1 6/2004 Wilson
 2007/0084170 A1 4/2007 Ehrenberg
 2007/0256565 A1 11/2007 Sohn
 2008/0022856 A1 1/2008 Clements
 2008/0209871 A1 9/2008 German
 2008/0245038 A1 10/2008 Gebert et al.
 2010/0242425 A1 9/2010 Swanson et al.
 2011/0162336 A1 7/2011 Poulsen
 2013/0091811 A1 4/2013 Morgan et al.
 2016/0303501 A1 10/2016 Musone

FOREIGN PATENT DOCUMENTS

WO WO 2008/015378 A1 2/2008
 WO WO 2009/061983 A1 5/2009
 WO WO 2009/061998 A1 5/2009

OTHER PUBLICATIONS

Petition for Inter Parties Review of U.S. Pat. No. 8,673,037; Apr. 29, 2016; 67 pages.
 Travis Hayman Declaration U.S. Pat. No. 8,673,037 patent; Clark Filter Ex. 1002; 51 pages.
 Petition for Inter Parties Review of U.S. Pat. No. 9,174,155; Apr. 29, 2016; 68 pages.
 Travis Hayman Declaration U.S. Pat. No. 9,174,155 patent; Clark Filter Ex. 1002; 51 pages.

* cited by examiner

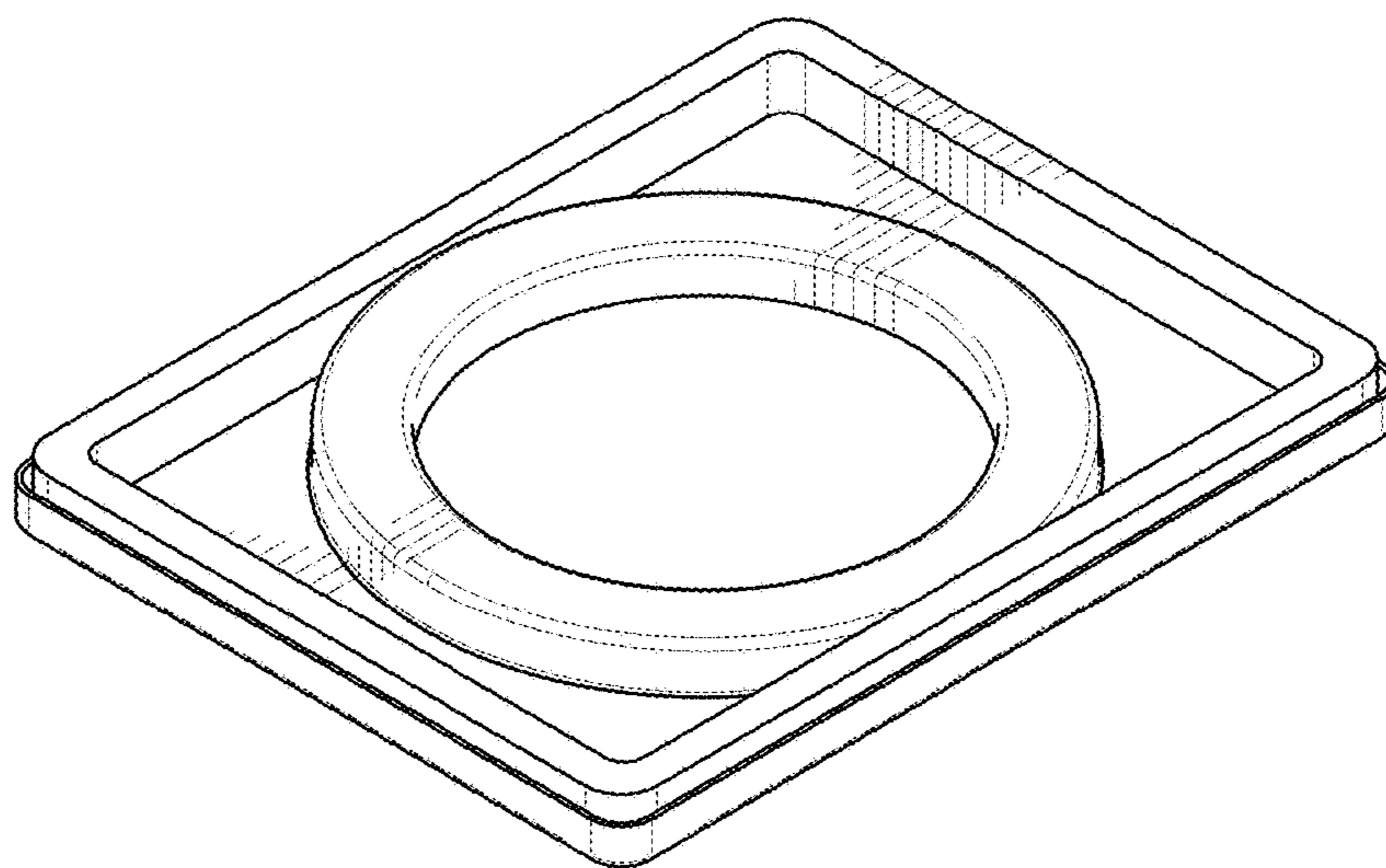


FIG. 1

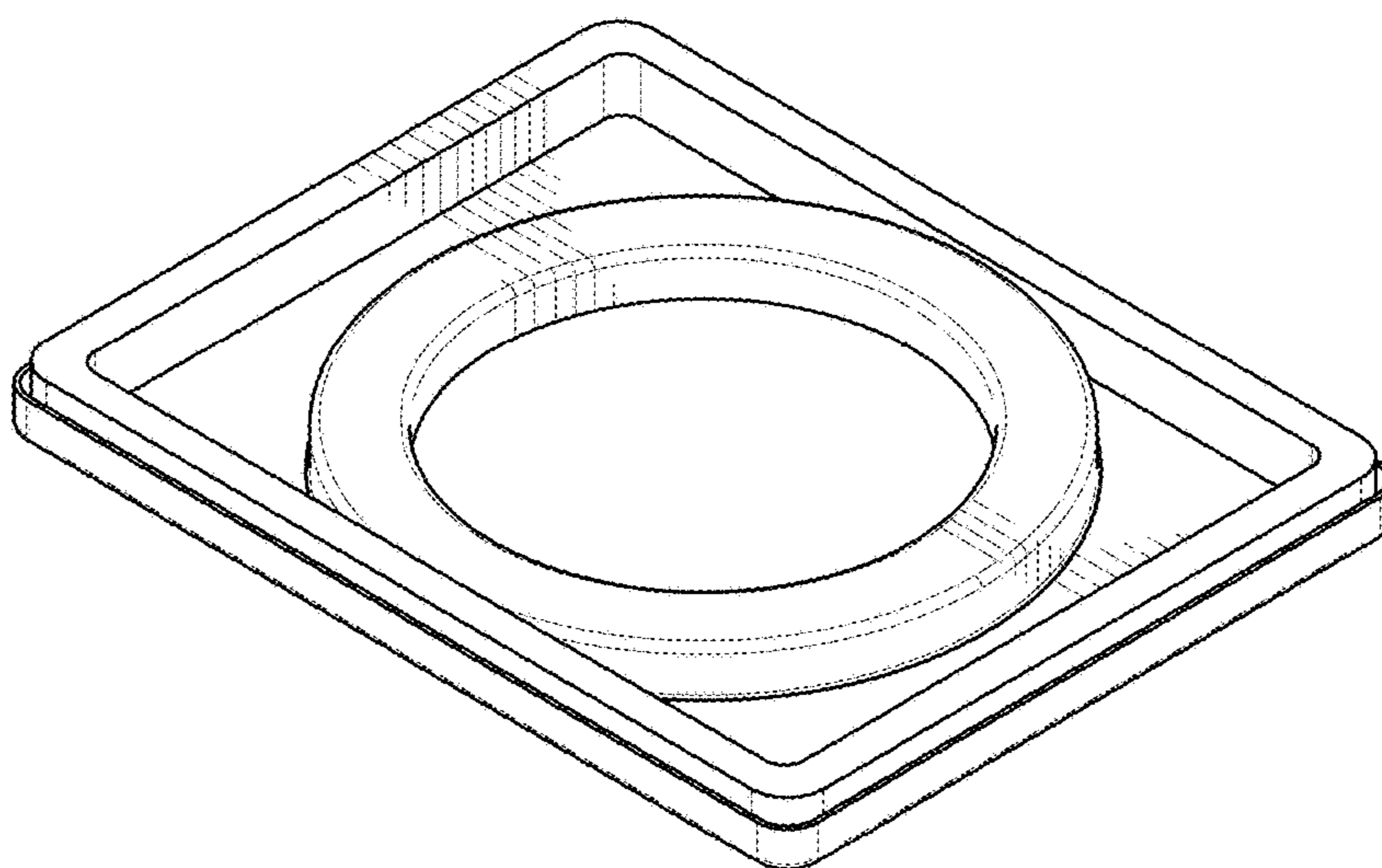


FIG. 2

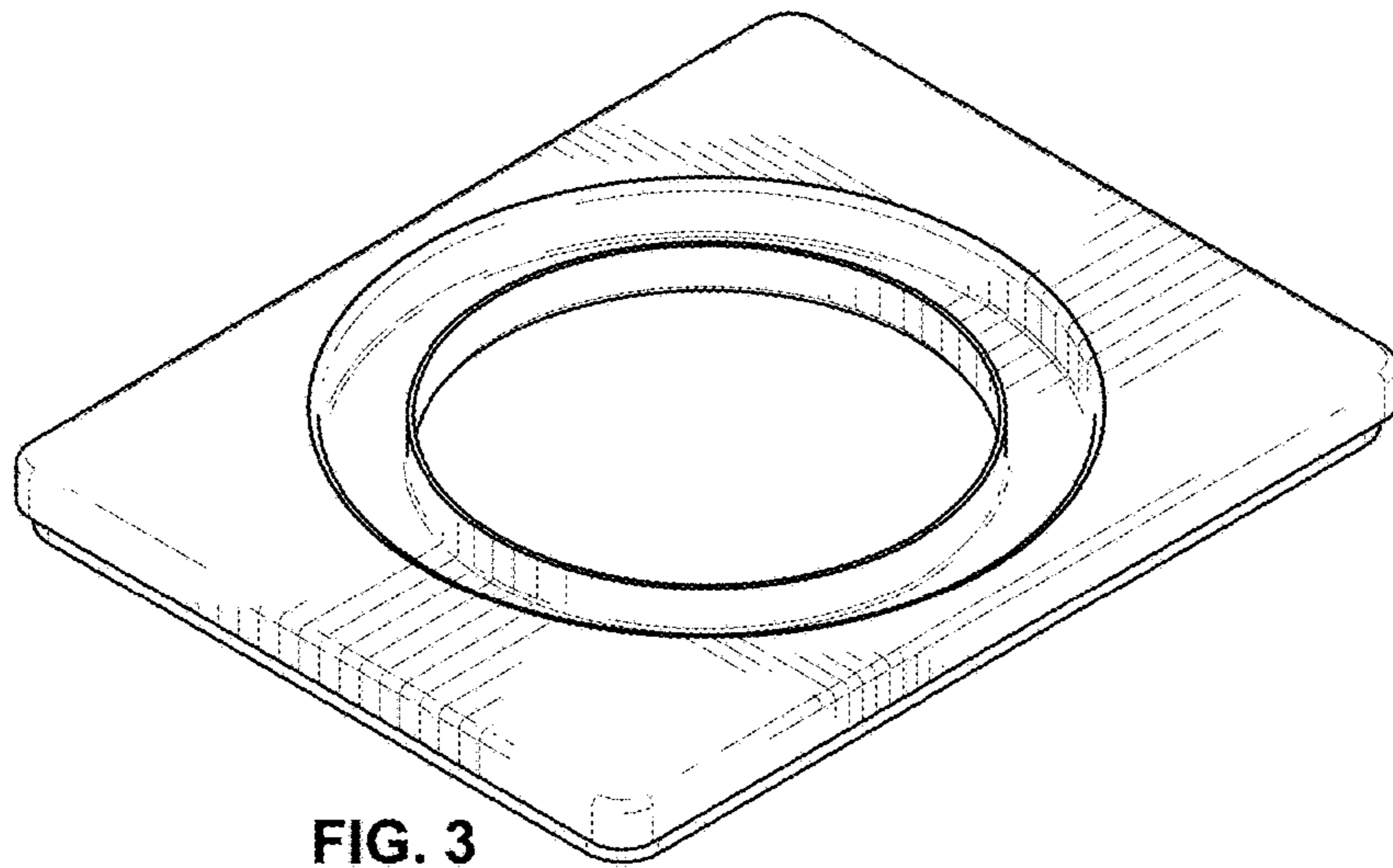


FIG. 3

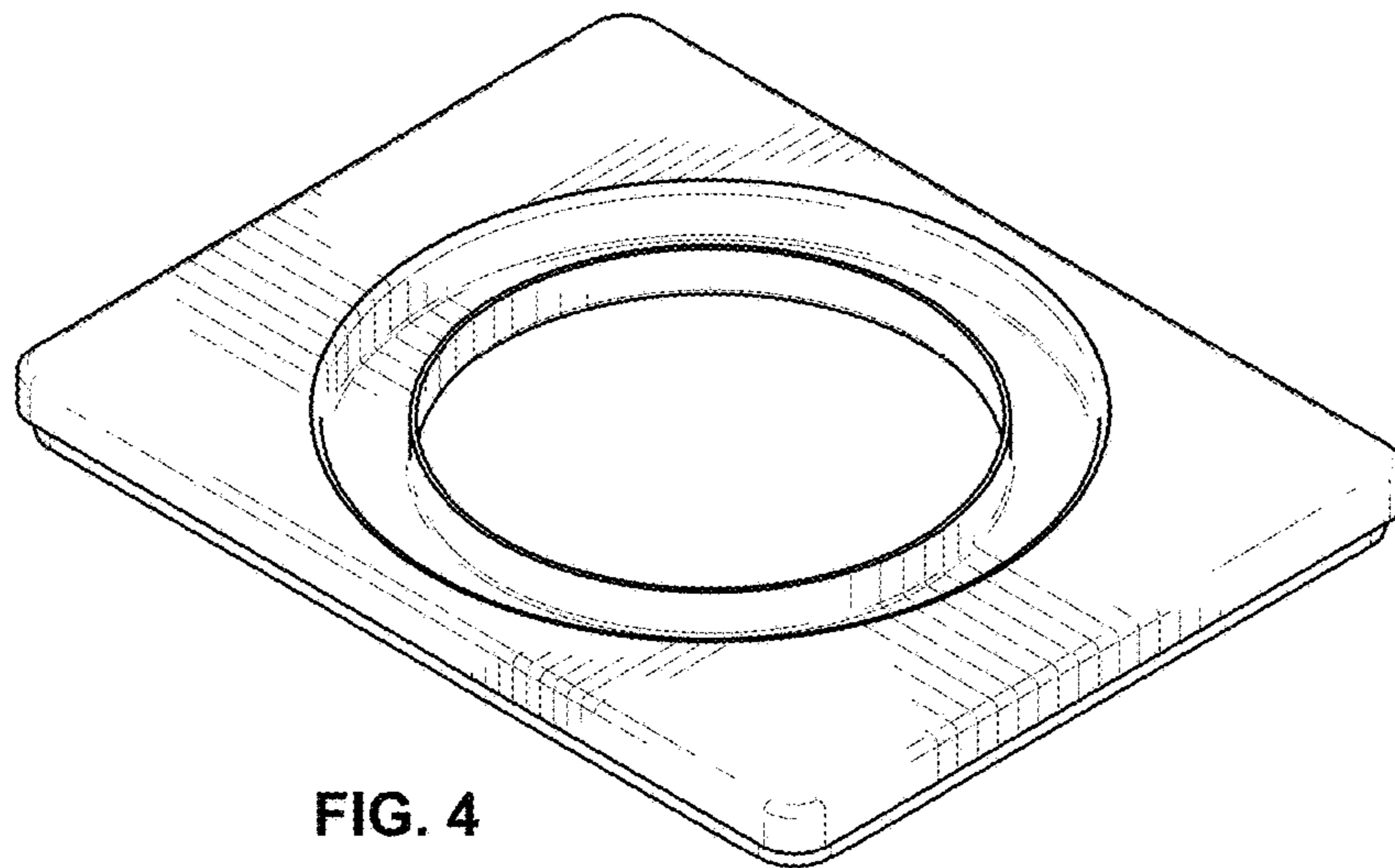


FIG. 4

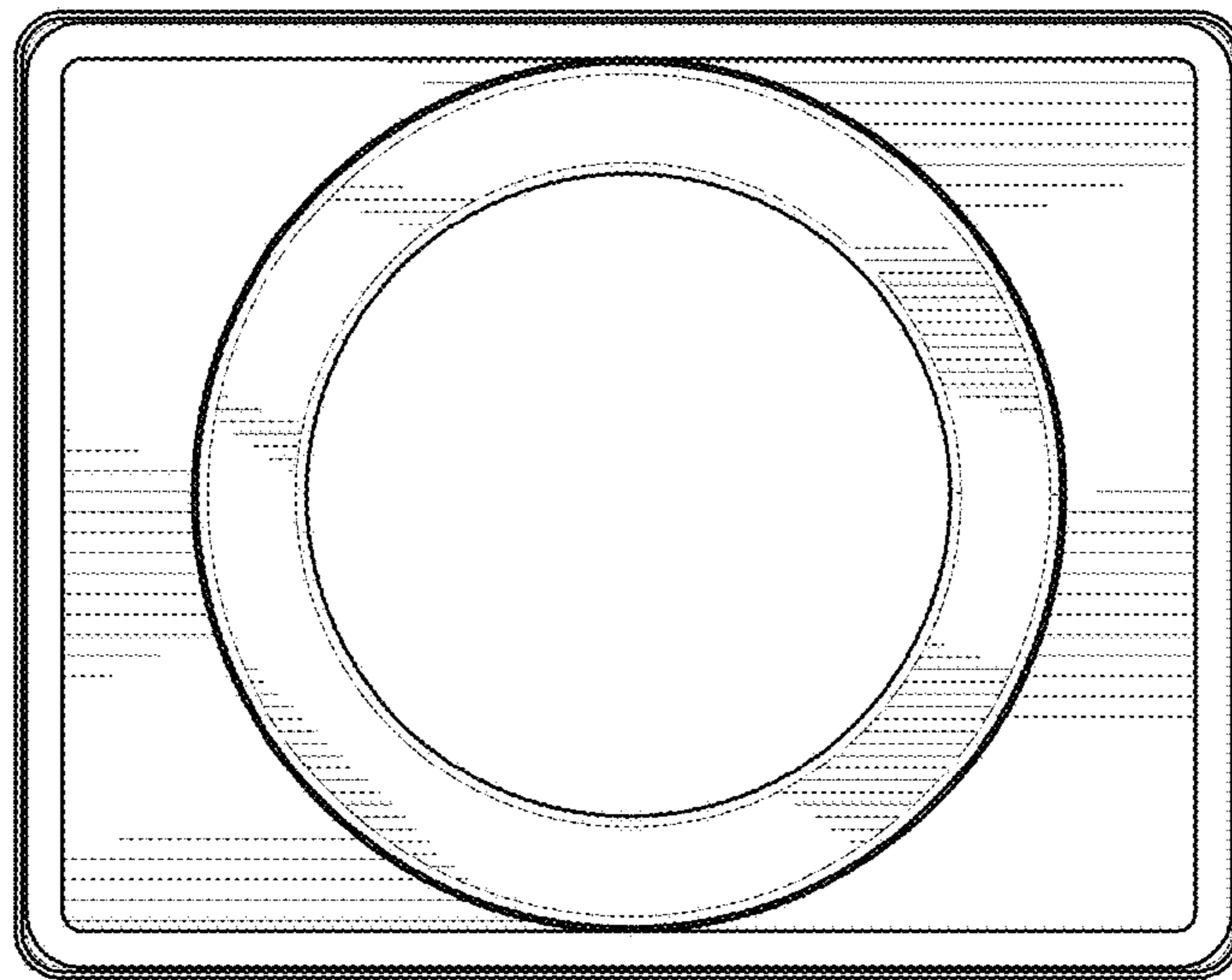


FIG. 5

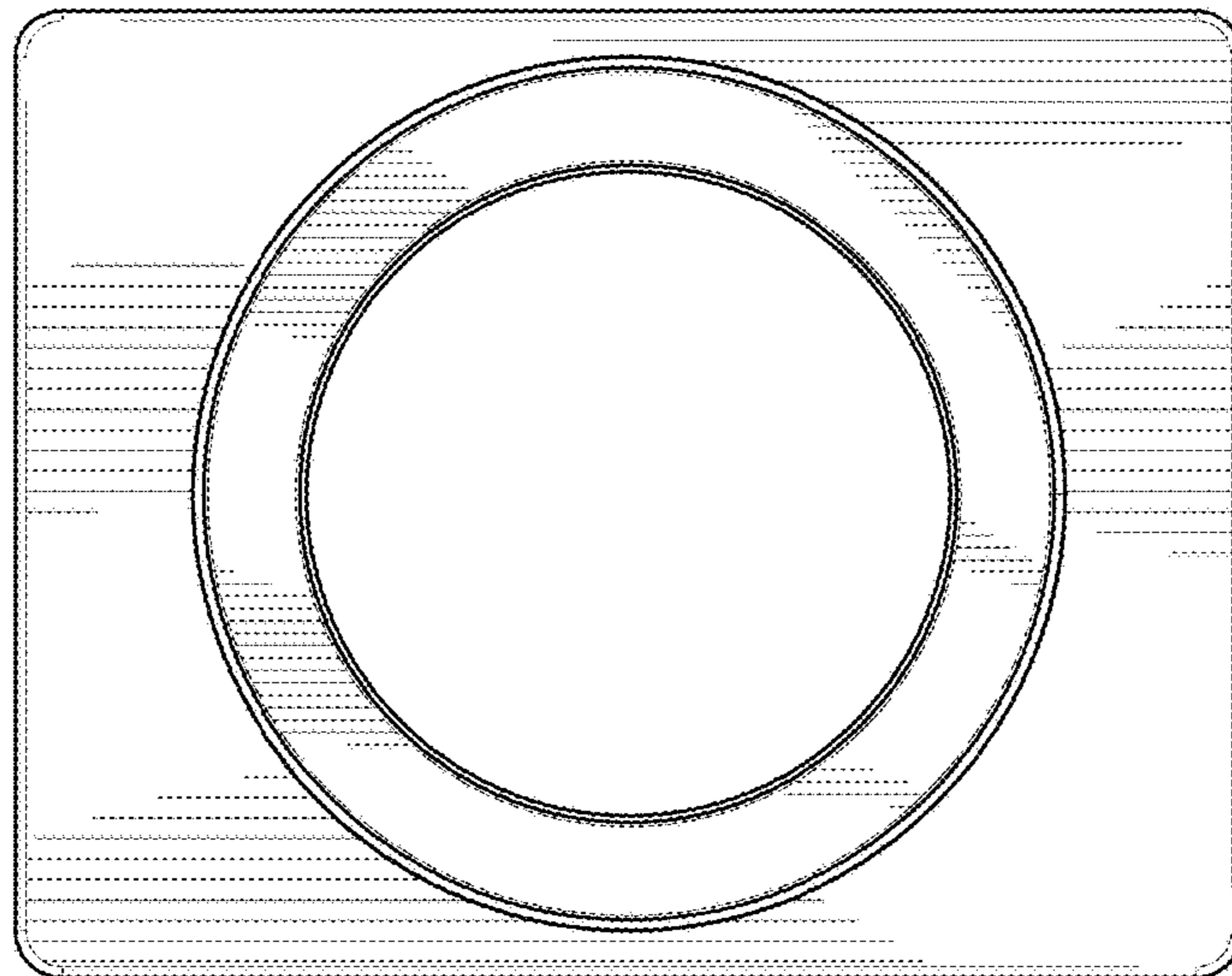


FIG. 6

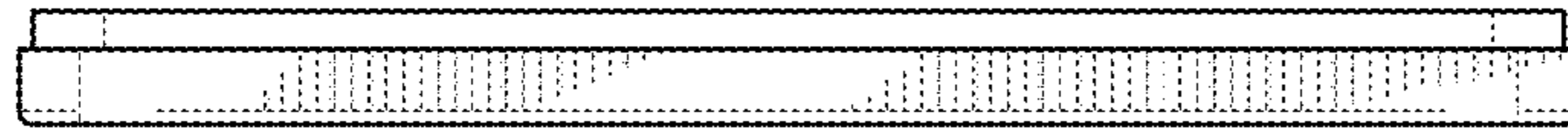


FIG. 7

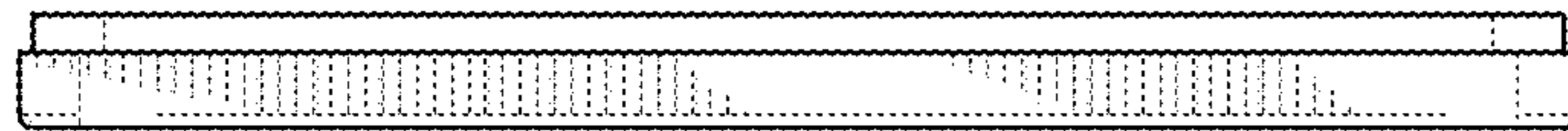


FIG. 8

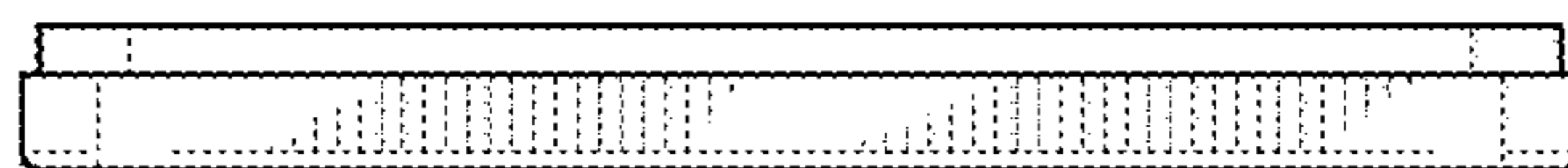


FIG. 9

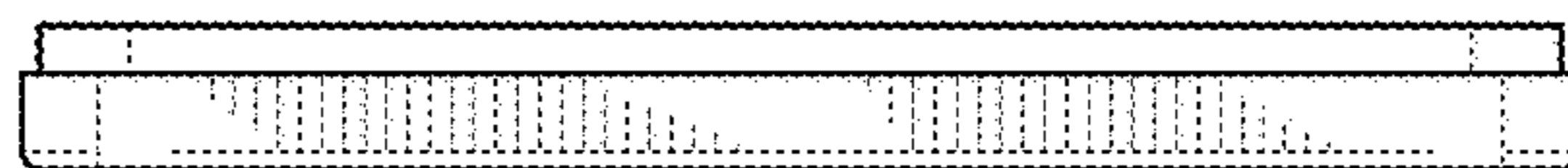


FIG. 10