



US00D854133S

(12) **United States Design Patent** (10) **Patent No.:** **US D854,133 S**  
**Sheng et al.** (45) **Date of Patent:** **\*\* Jul. 16, 2019**

(54) **DEHUMIDIFIER**  
(71) Applicant: **HON HAI PRECISION INDUSTRY CO., LTD.**, New Taipei (TW)  
(72) Inventors: **Ying-Wei Sheng**, New Taipei (TW);  
**Ying-Chia Tang**, New Taipei (TW);  
**Wei-Chien Hsu**, New Taipei (TW);  
**Ke-Peng Yi**, Shenzhen (CN)  
(73) Assignee: **HON HAI PRECISION INDUSTRY CO., LTD.**, New Taipei (TW)  
(\*\*) Term: **15 Years**

D566,819 S \* 4/2008 Chiu ..... D23/333  
D575,857 S \* 8/2008 Chiu ..... D23/333  
D578,632 S \* 10/2008 Chen ..... D23/364  
D586,451 S \* 2/2009 Murai ..... D23/364  
D595,824 S \* 7/2009 Ohta ..... D23/364  
D595,826 S \* 7/2009 Ohta ..... D23/364  
D595,827 S \* 7/2009 Satou ..... D23/364  
D598,087 S \* 8/2009 Park ..... D23/333  
D603,496 S \* 11/2009 Murai ..... D23/364  
7,615,106 B2 \* 11/2009 Yasukawa ..... A61L 9/22  
96/18  
D606,184 S \* 12/2009 Chiu ..... D23/359  
D608,433 S \* 1/2010 Murai ..... D23/364  
D613,387 S \* 4/2010 Satou ..... D23/364  
D616,081 S \* 5/2010 Chiu ..... D23/333  
D621,019 S \* 8/2010 Kim ..... D23/356

(Continued)

(21) Appl. No.: **29/633,410**  
(22) Filed: **Jan. 13, 2018**

*Primary Examiner* — David G Muller  
*Assistant Examiner* — Nathan M Johnston  
(74) *Attorney, Agent, or Firm* — ScienBiziP, P.C.

(30) **Foreign Application Priority Data**  
Nov. 2, 2017 (CN) ..... 2017 3 0535137  
(51) **LOC (11) Cl.** ..... **23-04**  
(52) **U.S. Cl.**  
USPC ..... **D23/359**

(57) **CLAIM**

We claim the ornamental design for a dehumidifier, as shown and described.

(58) **Field of Classification Search**  
USPC ..... D23/355–366, 352, 369, 332, 333, 335,  
D23/336, 342, 351; 422/120, 122;  
55/356, 473, 504; 96/97; D14/188, 170,  
D14/172; 261/DIG. 17; D18/34.6  
CPC .. A61L 9/16; A61L 9/22; B01D 47/00; B01D  
47/027; B01D 2221/02; B01D 2259/4508;  
B03C 3/155; B03C 3/368; F24F 3/16;  
F24F 13/20; F24F 13/28; F24F  
2001/0096  
See application file for complete search history.

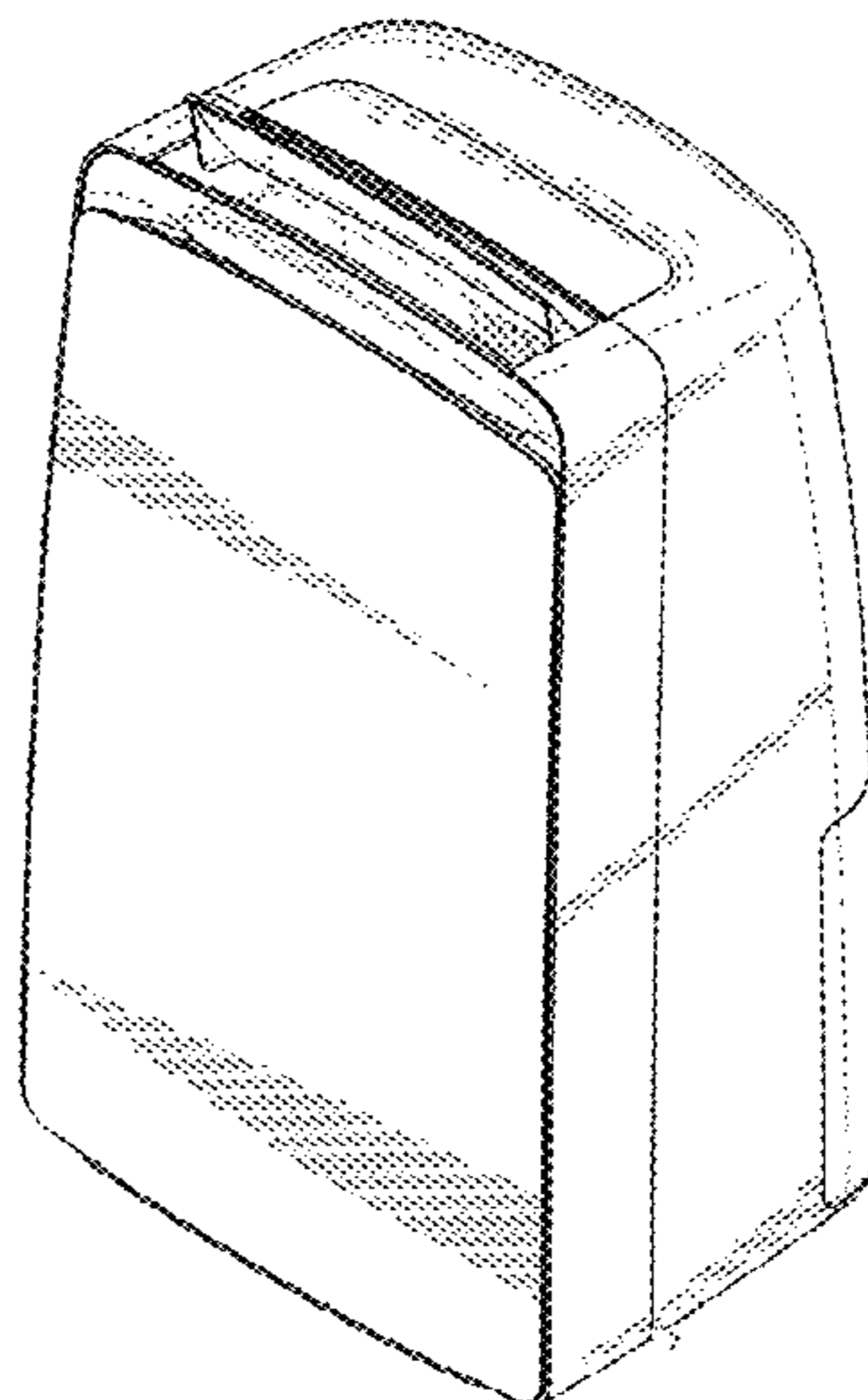
**DESCRIPTION**

FIG. 1 is a front perspective view of a dehumidifier showing our new design;  
FIG. 2 is a rear perspective view thereof;  
FIG. 3 is a front elevation view thereof;  
FIG. 4 is a rear elevation view thereof;  
FIG. 5 is a left side elevation view thereof;  
FIG. 6 is a right side elevation view thereof;  
FIG. 7 is a top plan view thereof;  
FIG. 8 is a bottom plan view thereof; and,  
FIG. 9 is a front perspective view showing the dehumidifier thereof in use.

The broken lines in the drawings depict portions of the dehumidifier that form no part of the claimed design. The broken lines and unshaded regions bounded by broken lines form no part of the claimed design.

(56) **References Cited**  
U.S. PATENT DOCUMENTS  
D144,654 S \* 5/1946 Wilson ..... D23/342  
D503,787 S \* 4/2005 Koike ..... D23/364

**1 Claim, 9 Drawing Sheets**



(56)

## References Cited

## U.S. PATENT DOCUMENTS

D634,828	S	*	3/2011	Nakamura	.....	D23/355
D644,312	S	*	8/2011	Tsuji	.....	D23/364
7,993,589	B1	*	8/2011	Shigemoto	.....	A61L 9/01 422/122
D657,032	S	*	4/2012	Chouji	.....	D23/351
D657,033	S	*	4/2012	Chouji	.....	D23/351
D658,280	S	*	4/2012	Niki	.....	D23/364
D660,947	S	*	5/2012	Varma	.....	D23/333
D660,948	S	*	5/2012	Varma	.....	D23/333
D662,577	S	*	6/2012	Nakamura	.....	D23/364
D677,774	S	*	3/2013	Postma	.....	D23/360
D723,149	S	*	2/2015	Huang	.....	D23/359
D734,445	S	*	7/2015	Huang	.....	D23/364
D735,845	S	*	8/2015	Huang	.....	D23/359
D746,426	S	*	12/2015	Zhao	.....	D23/359
D748,235	S	*	1/2016	Yamashita	.....	D23/364
D764,648	S	*	8/2016	Qin	.....	D23/359
D783,793	S	*	4/2017	Satou	.....	D23/364
D788,894	S	*	6/2017	Qin	.....	D23/333
D799,015	S	*	10/2017	Tang	.....	D23/364
D803,368	S	*	11/2017	Priester	.....	D23/364
D810,259	S	*	2/2018	You	.....	D23/364
2013/0109292	A1	*	5/2013	Yamashita	.....	F24F 3/1603 454/249

\* cited by examiner

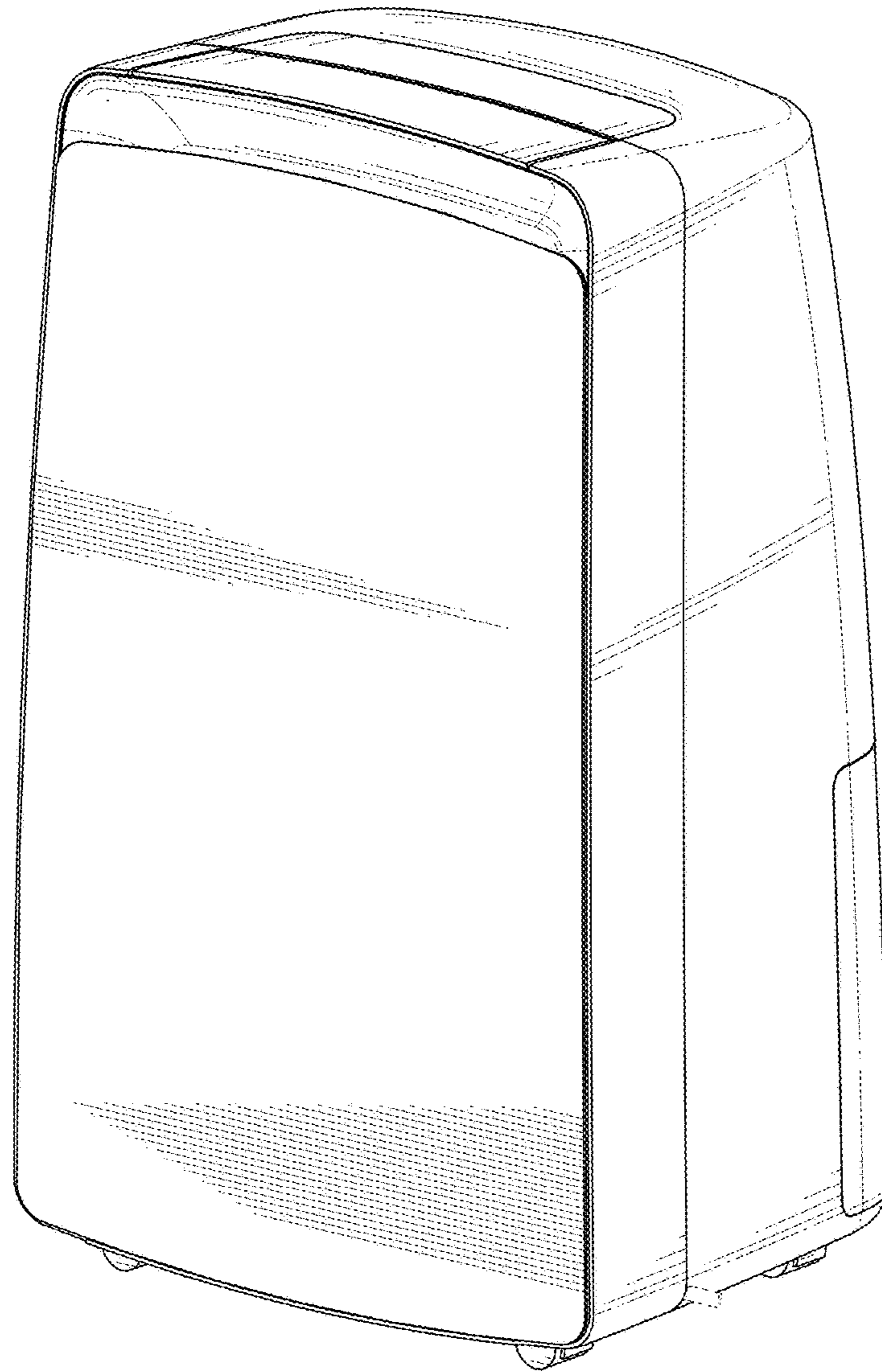


FIG. 1

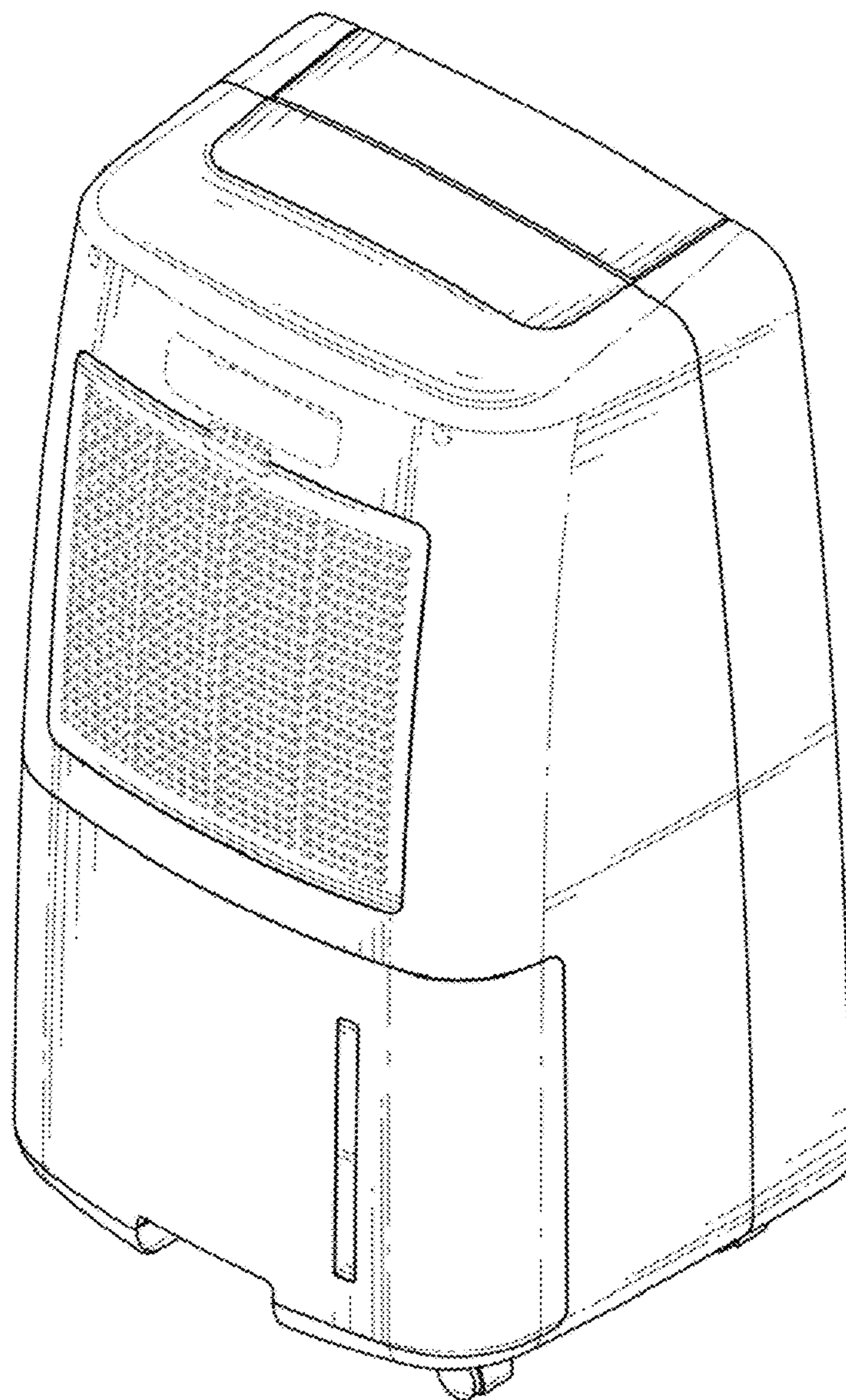


FIG. 2



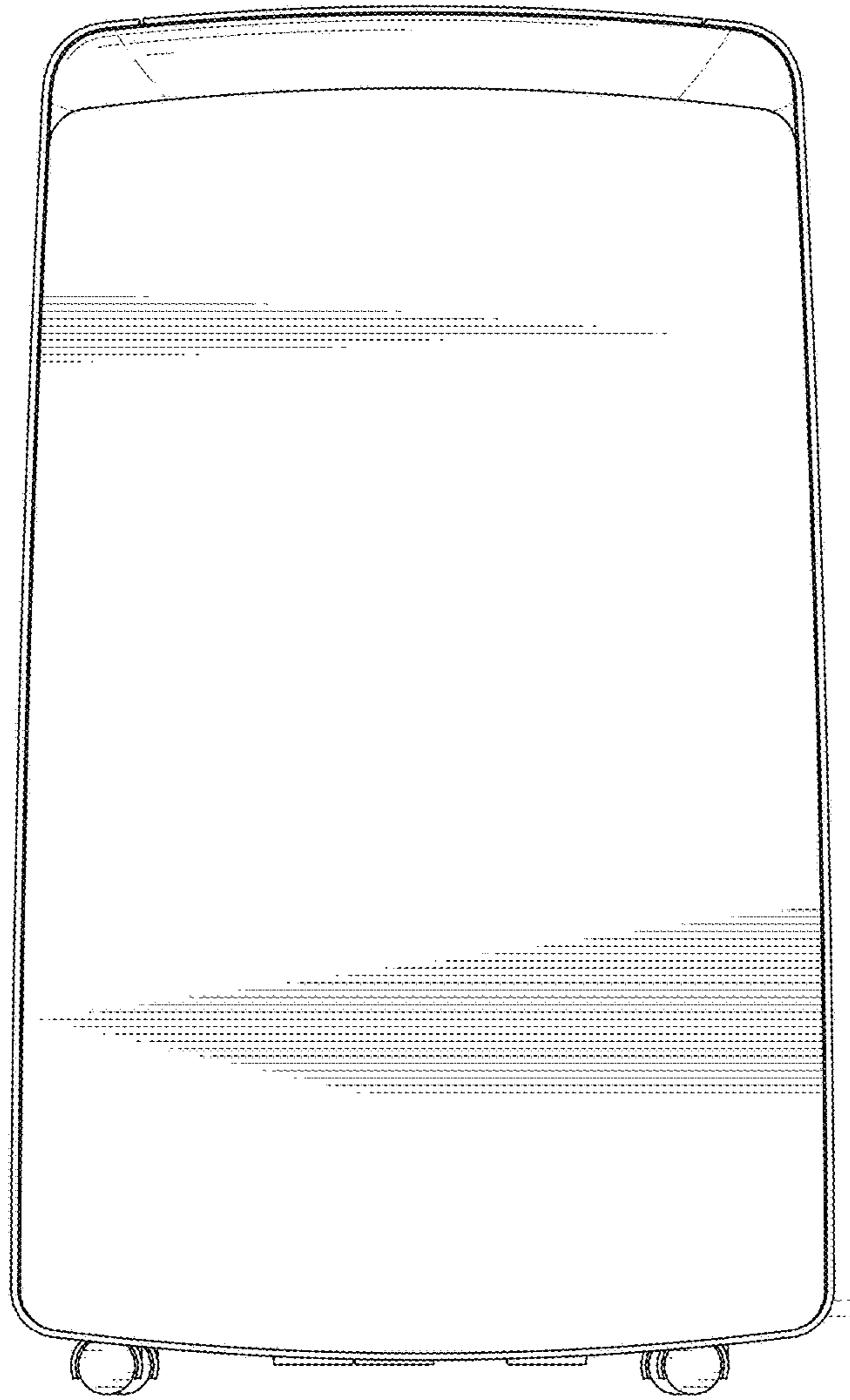


FIG. 3

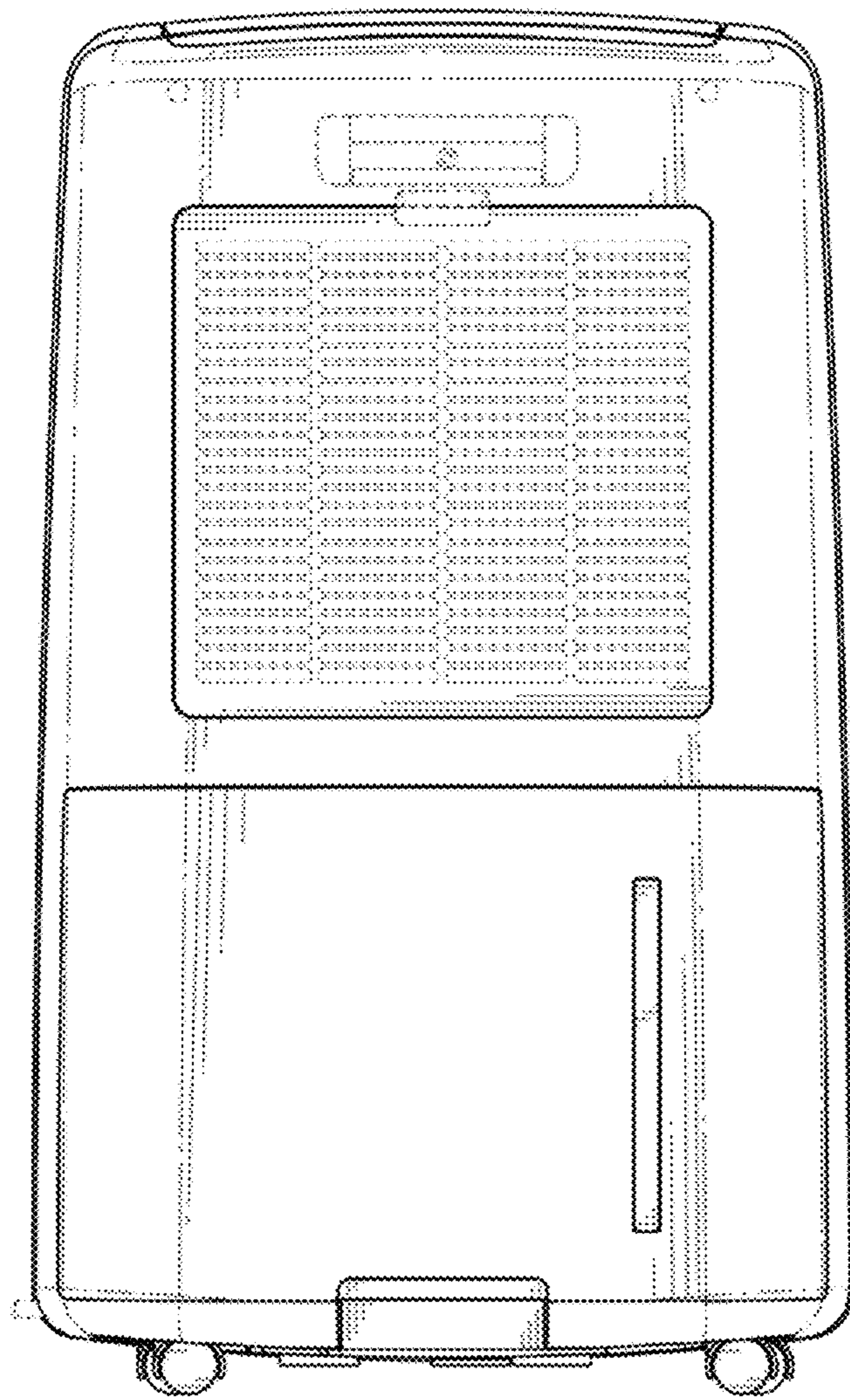


FIG. 4

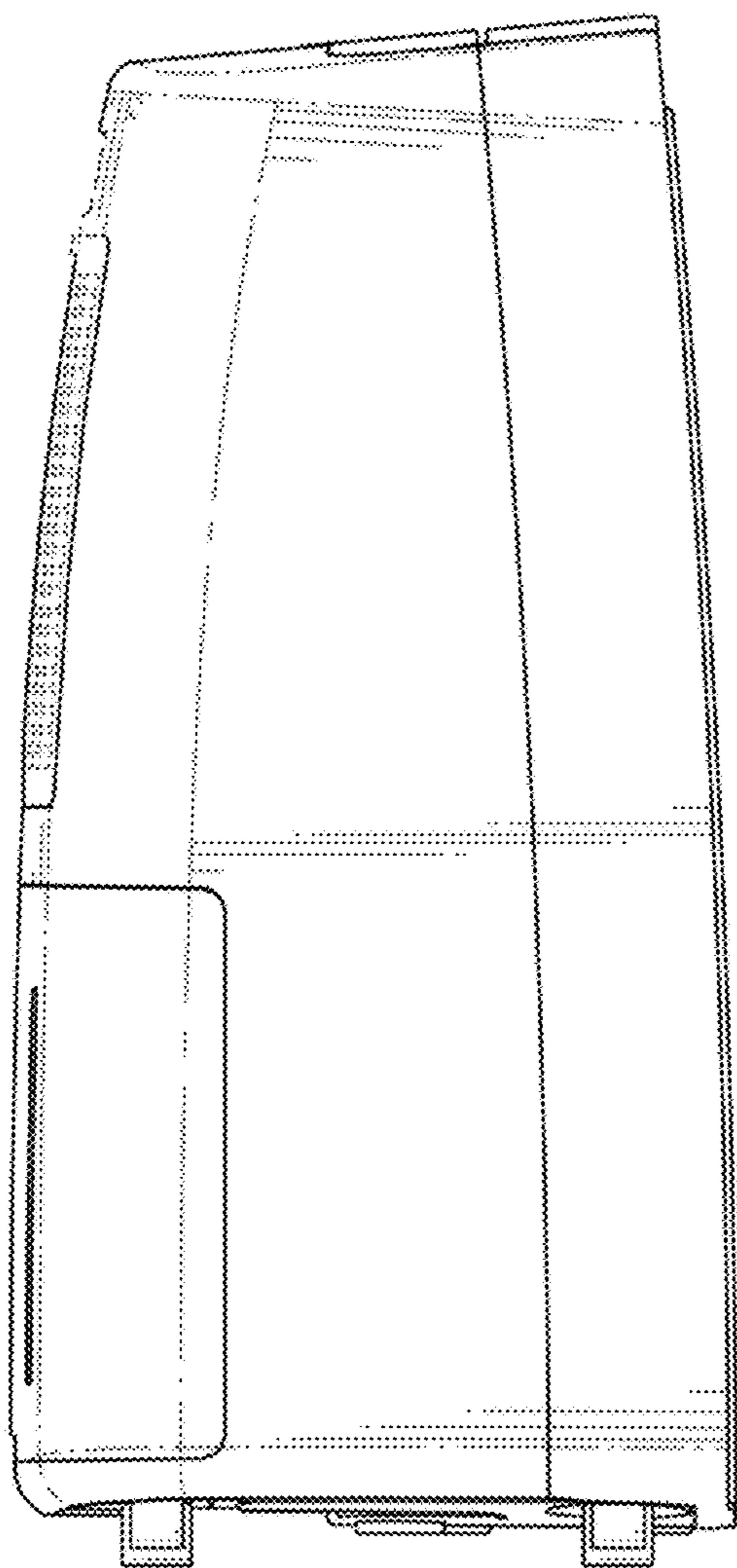


FIG. 5

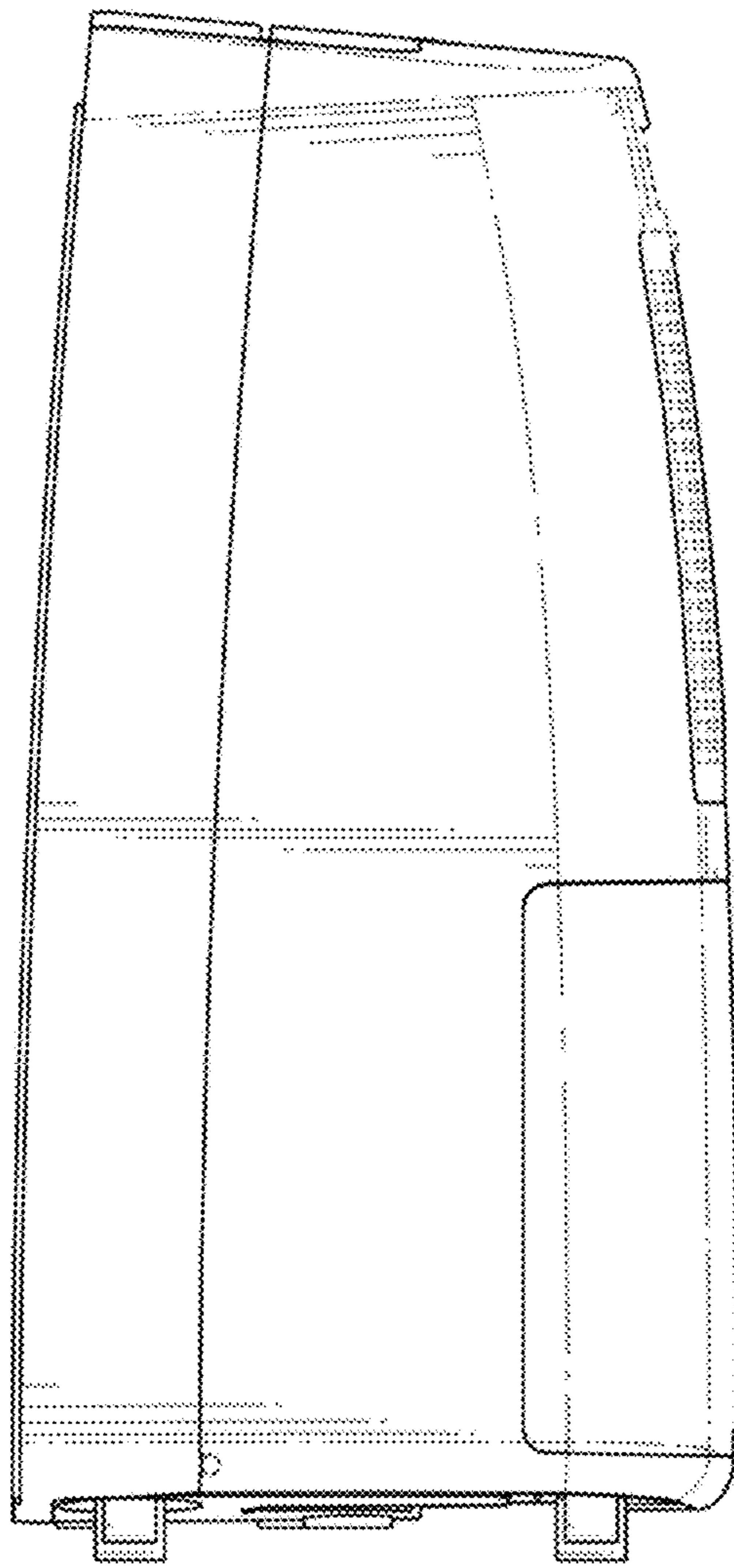


FIG. 6



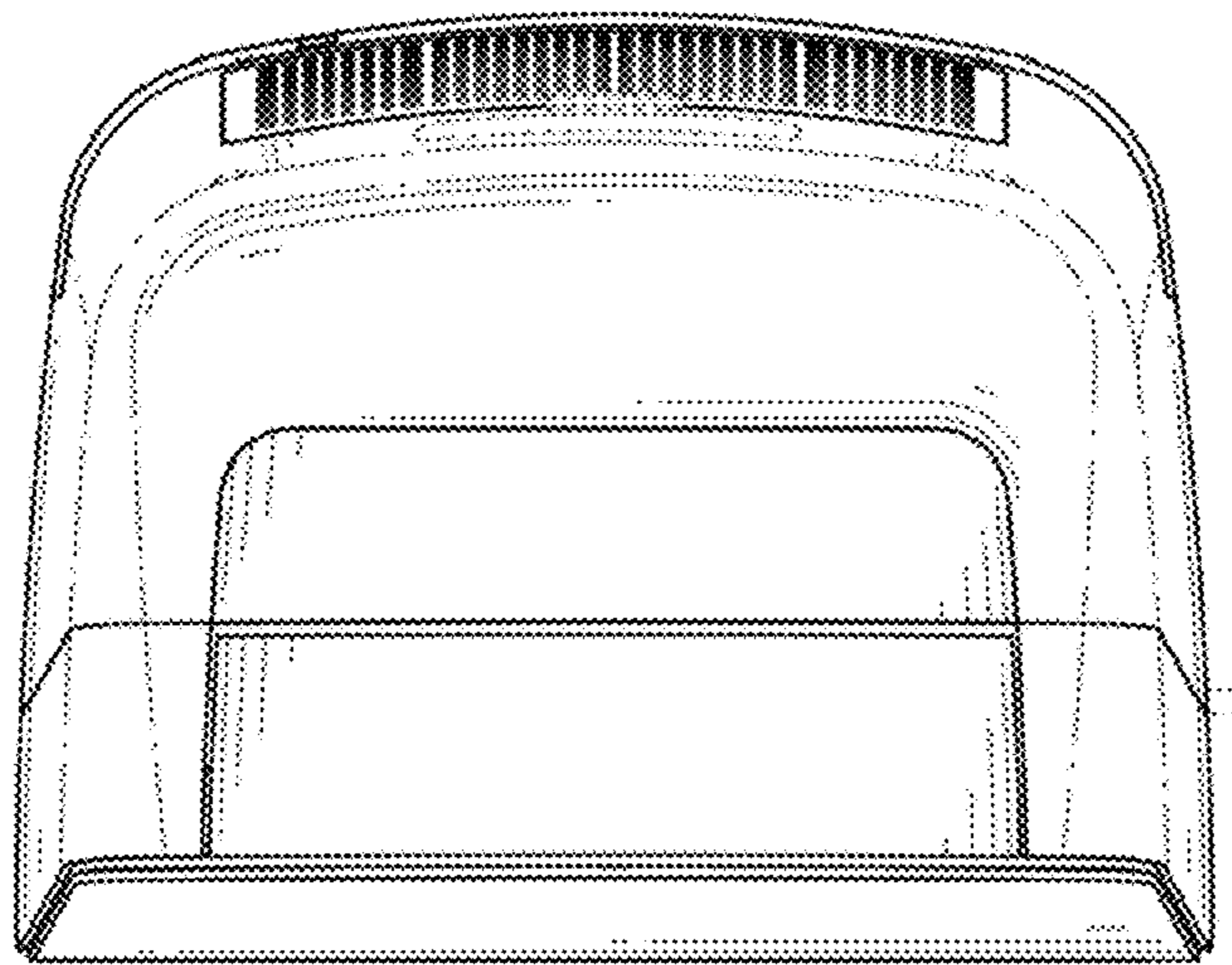


FIG. 7

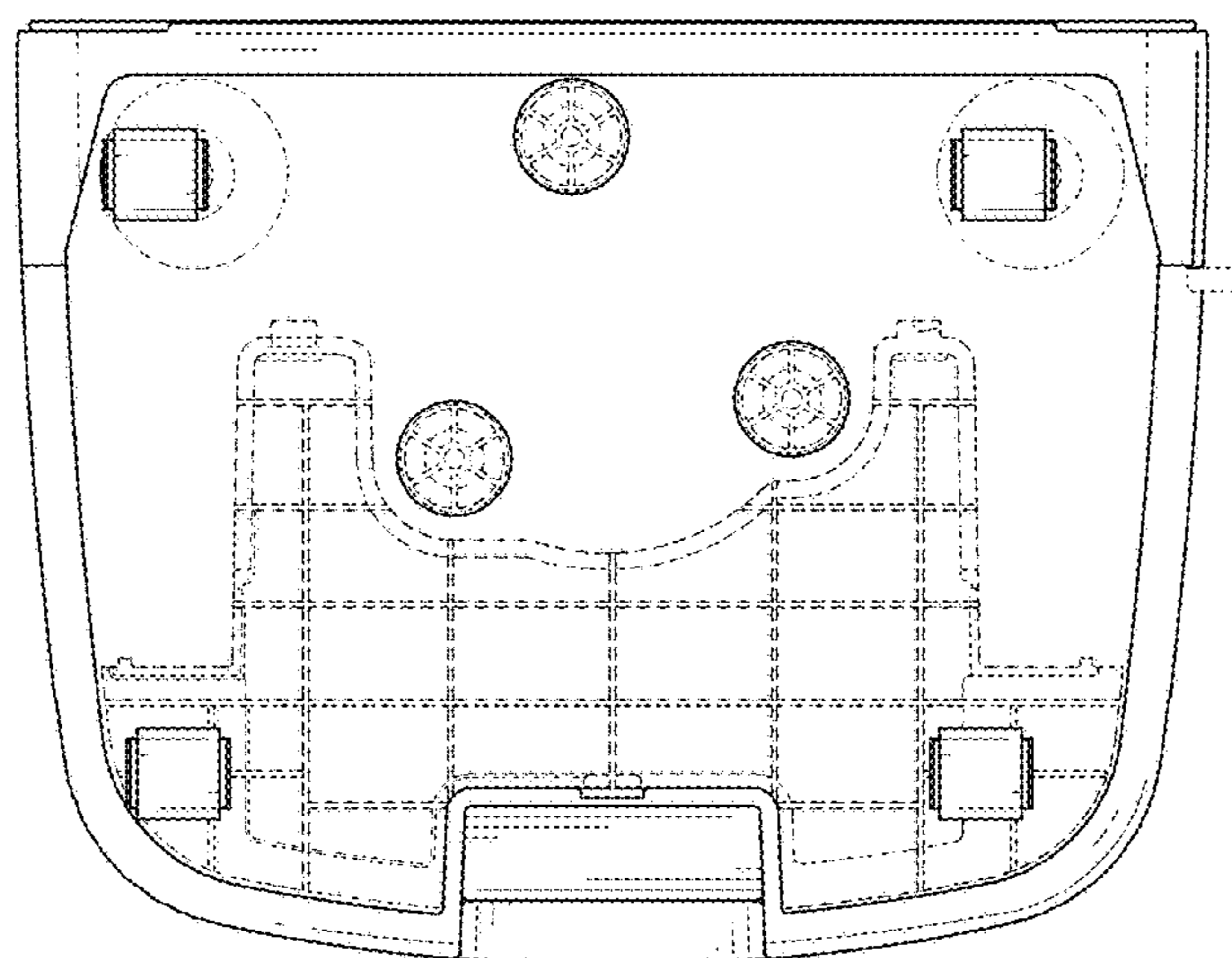


FIG. 8

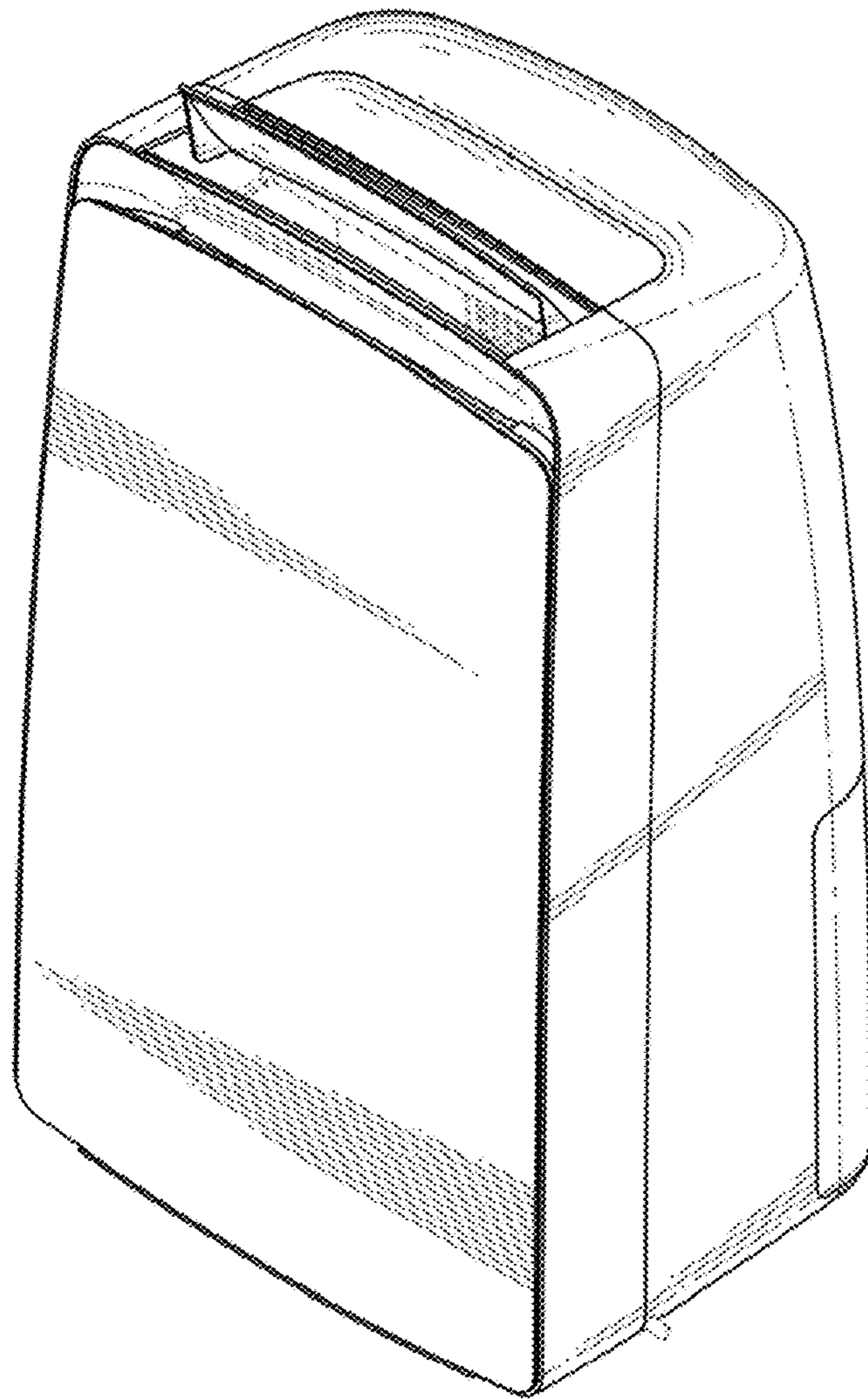


FIG. 9