



US00D854130S

(12) **United States Design Patent** (10) **Patent No.:** **US D854,130 S**
Chen et al. (45) **Date of Patent:** **** Jul. 16, 2019**

(54) **SINK**

(71) Applicant: **Guangdong Yingao Kitchen Utensils Co., Ltd.**, Foshan, Guangdong (CN)

(72) Inventors: **Jiazhi Chen**, Guangdong (CN);
Huakun Liang, Guangdong (CN)

(73) Assignee: **Guangdong Yingao Kitchen Utensils Co., Ltd.**, Foshan (CN)

(**) Term: **15 Years**

(21) Appl. No.: **29/635,720**

(22) Filed: **Feb. 1, 2018**

(30) **Foreign Application Priority Data**

Nov. 21, 2017 (CN) 2017 3 0576896

(51) **LOC (11) Cl.** **23-02**

(52) **U.S. Cl.**
USPC **D23/293.1**

(58) **Field of Classification Search**
USPC ... D23/270, 284, 285, 290, 289, 293.1, 303,
D23/308, 499; D6/524, 573, 663-666,
D6/671

CPC ... E03C 1/12; E03C 1/18; E03C 1/181; A47K
1/04; A47B 77/06; A47J 47/20

See application file for complete search history.

(56) **References Cited**

U.S. PATENT DOCUMENTS

D505,188 S * 5/2005 Bayer D23/293.1
D588,246 S * 3/2009 Eilmus D23/293.1
D624,164 S * 9/2010 Kakihana D23/293.1
D721,167 S * 1/2015 O'Brien D23/308
D804,620 S * 12/2017 Palazzolo D23/290
D816,197 S * 4/2018 Chong D23/290

FOREIGN PATENT DOCUMENTS

DE 102009016235 * 10/2010 A47L 13/34

* cited by examiner

Primary Examiner — Sheryl Lane

Assistant Examiner — Samantha N Wood

(57) **CLAIM**

The ornamental design for a sink, as shown and described.

DESCRIPTION

FIG. 1 is a perspective view of a sink showing our new design;

FIG. 2 is a front elevation view of FIG. 1;

FIG. 3 is a rear elevational view of FIG. 1;

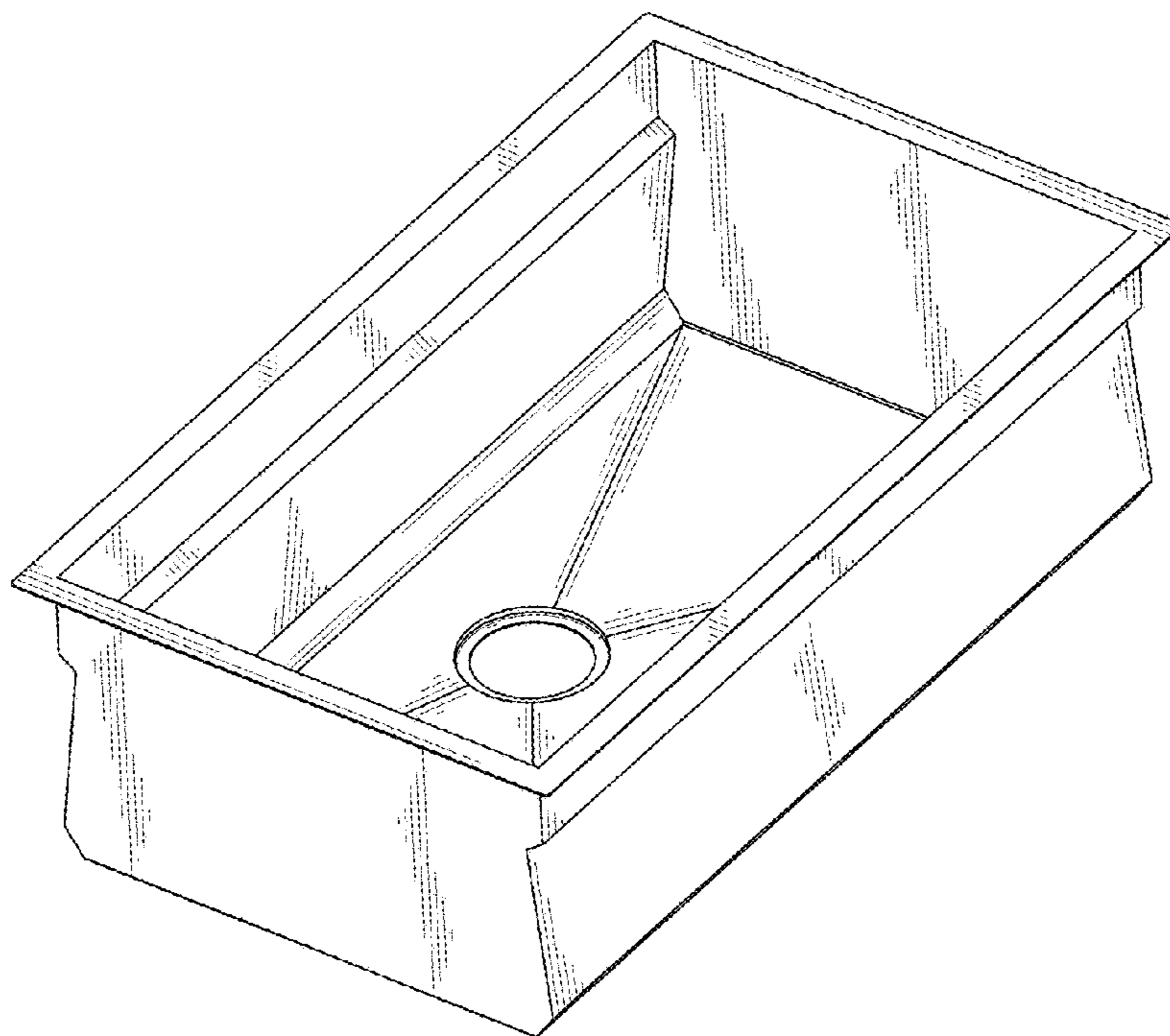
FIG. 4 is a left side view of FIG. 1;

FIG. 5 is a right side view of FIG. 1;

FIG. 6 is a top plan view of FIG. 1; and,

FIG. 7 is a bottom plan view of FIG. 1.

1 Claim, 7 Drawing Sheets



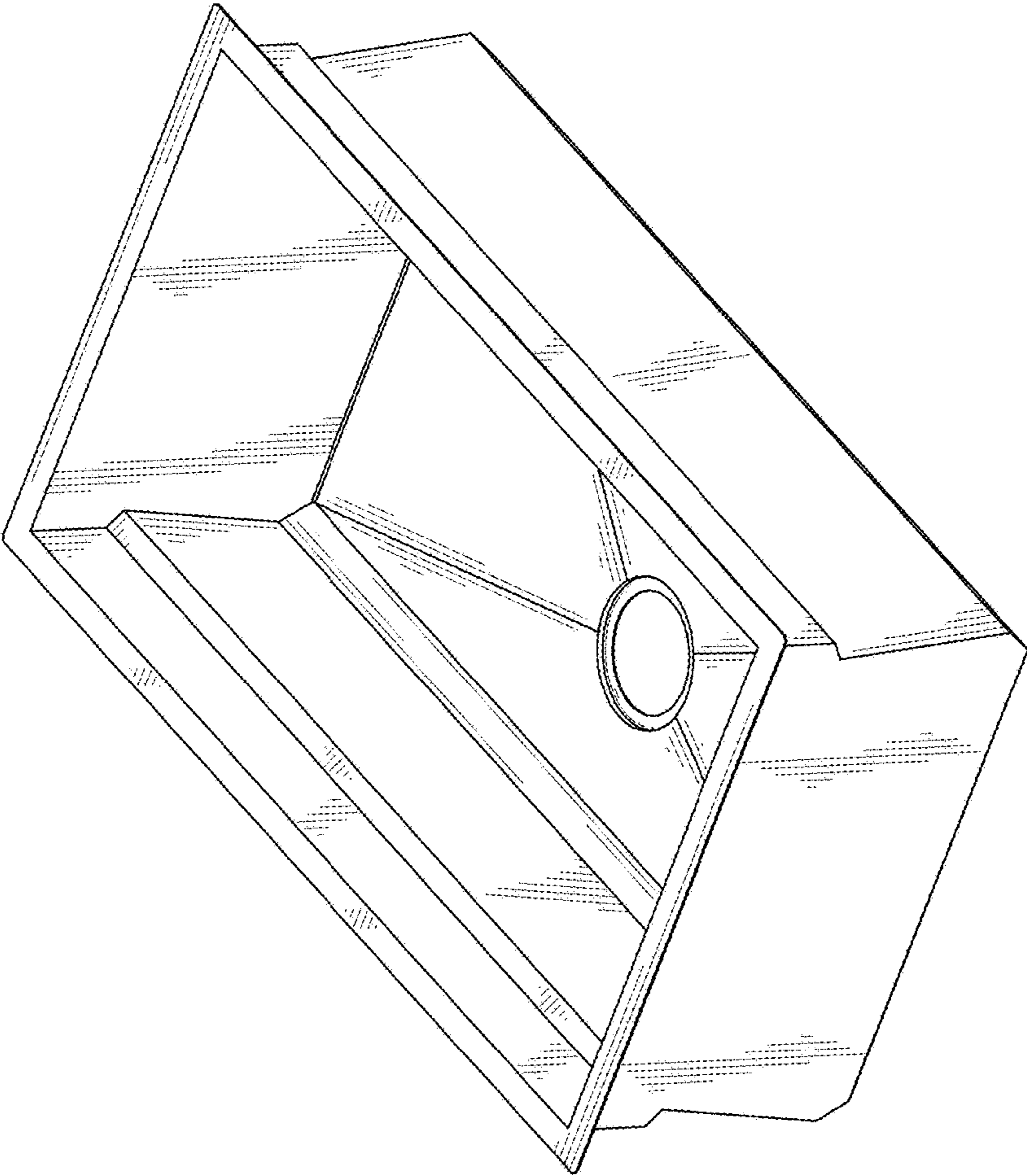


FIG. 1

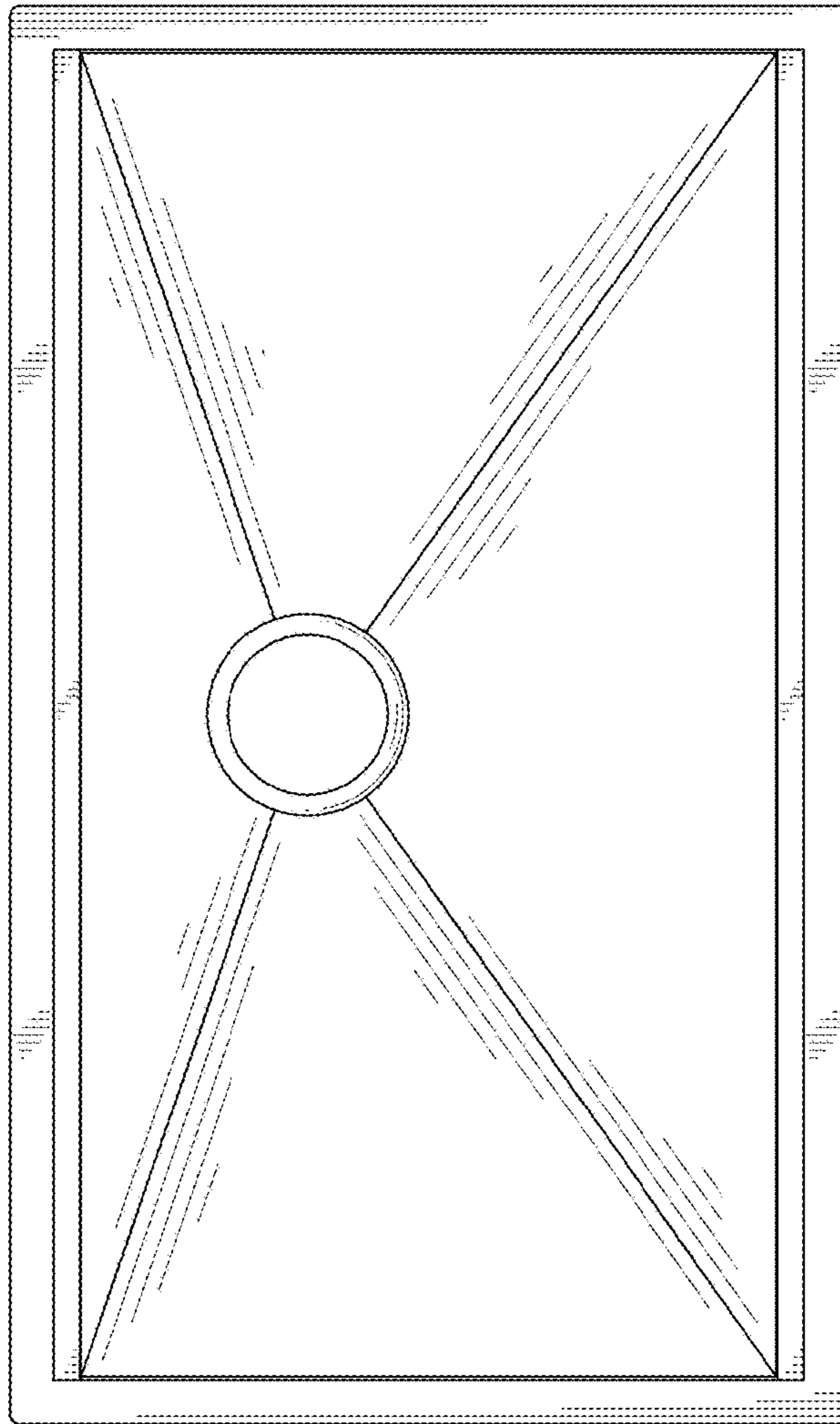


FIG. 2

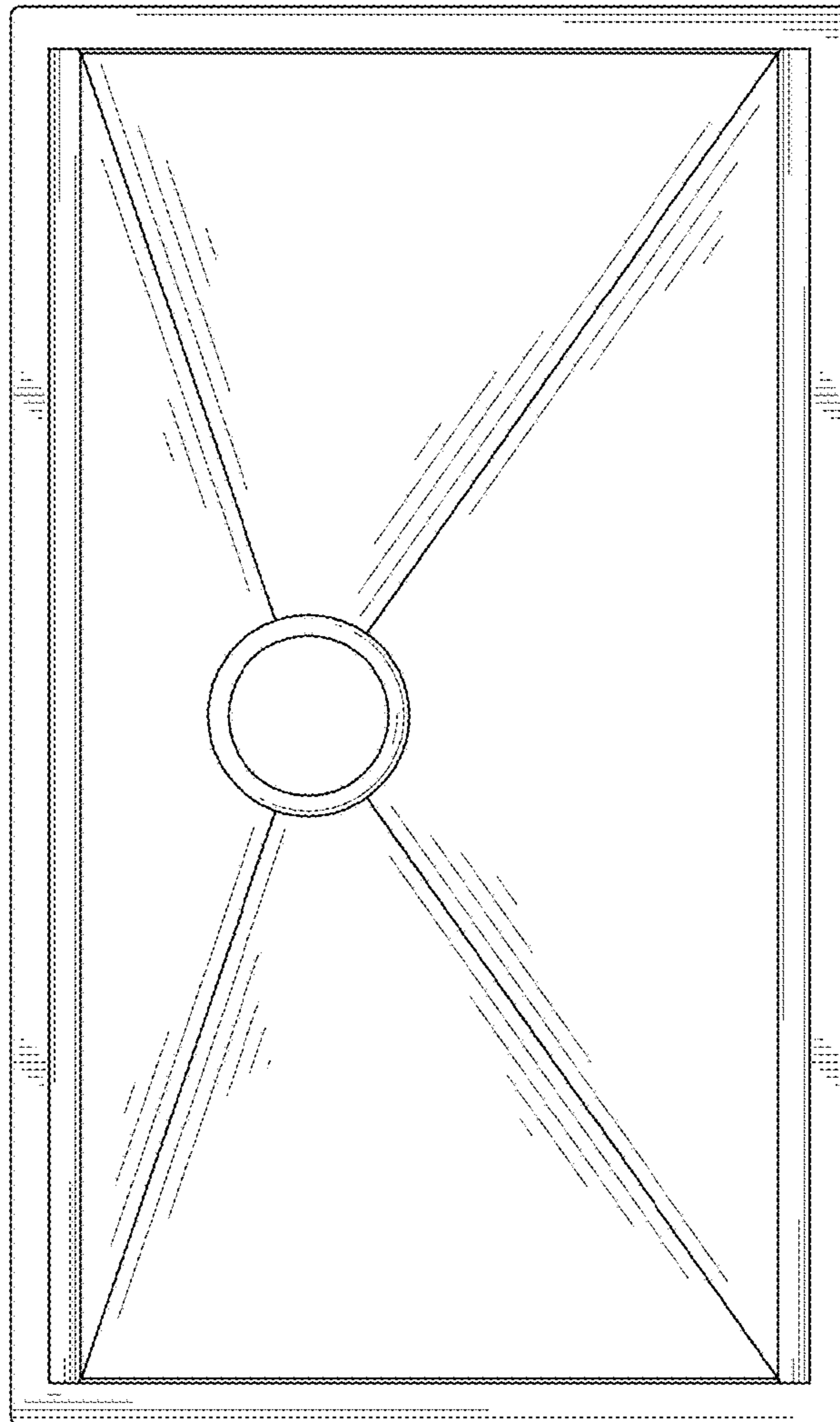


FIG. 3

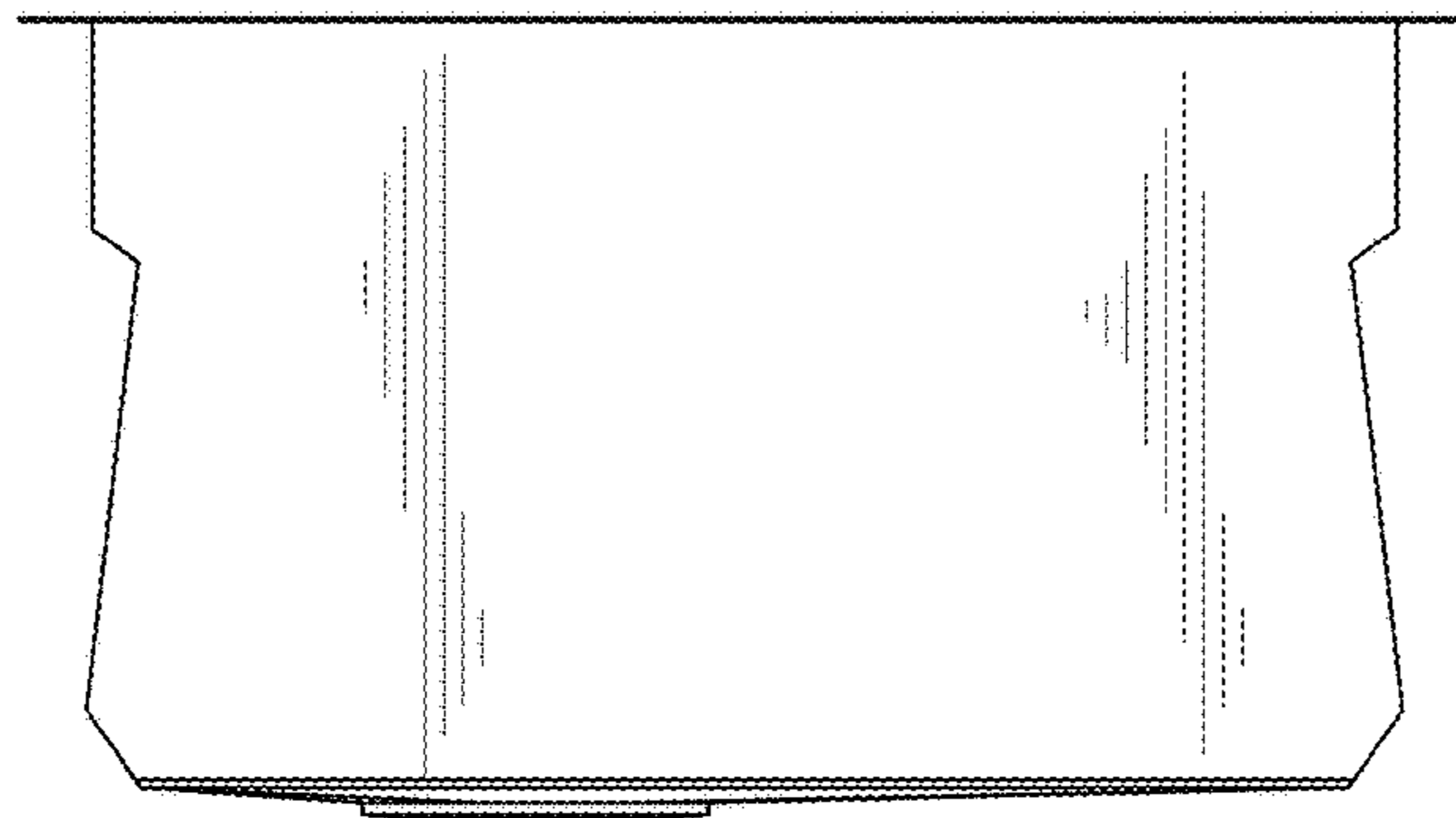


FIG. 4

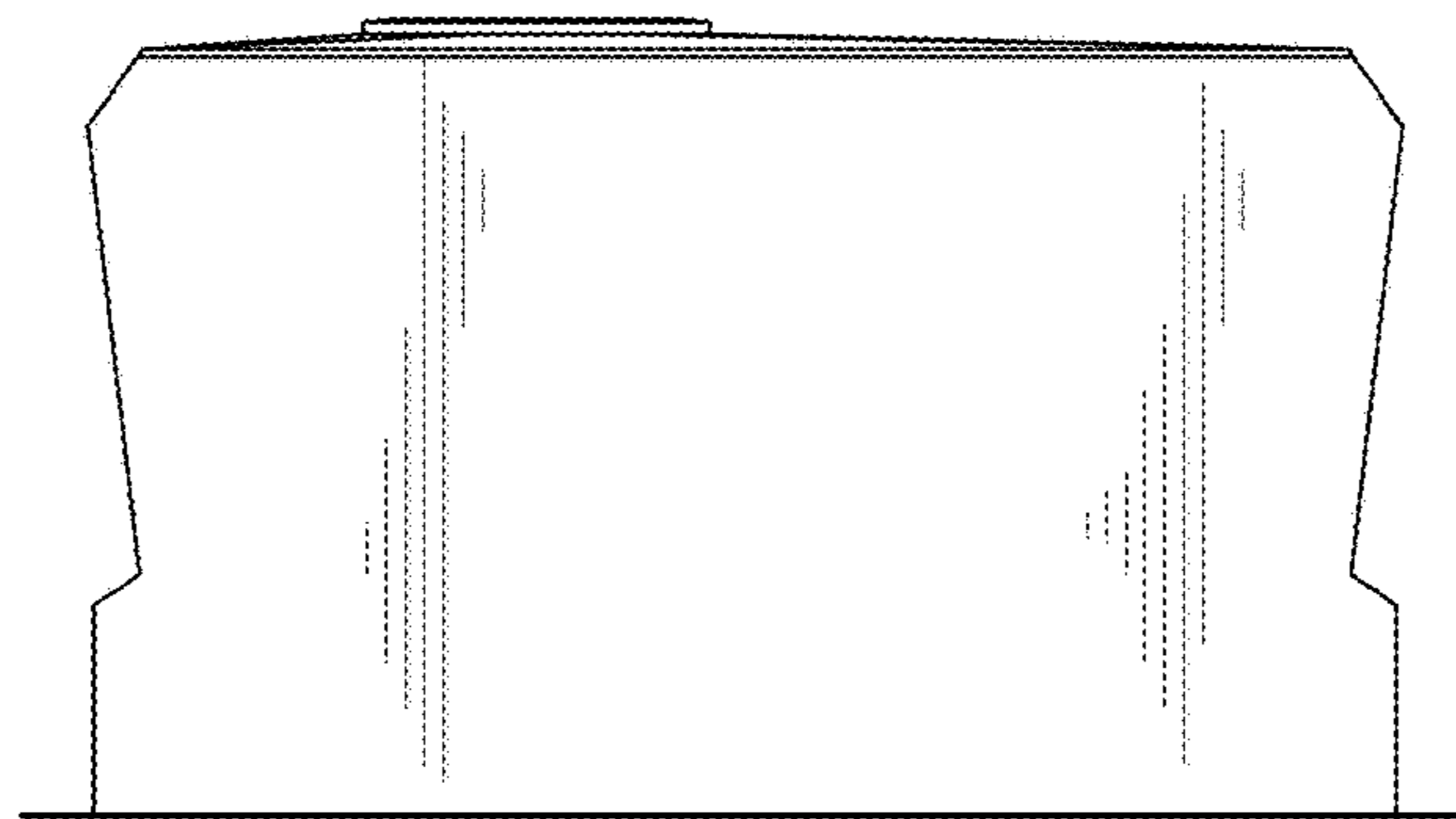


FIG. 5

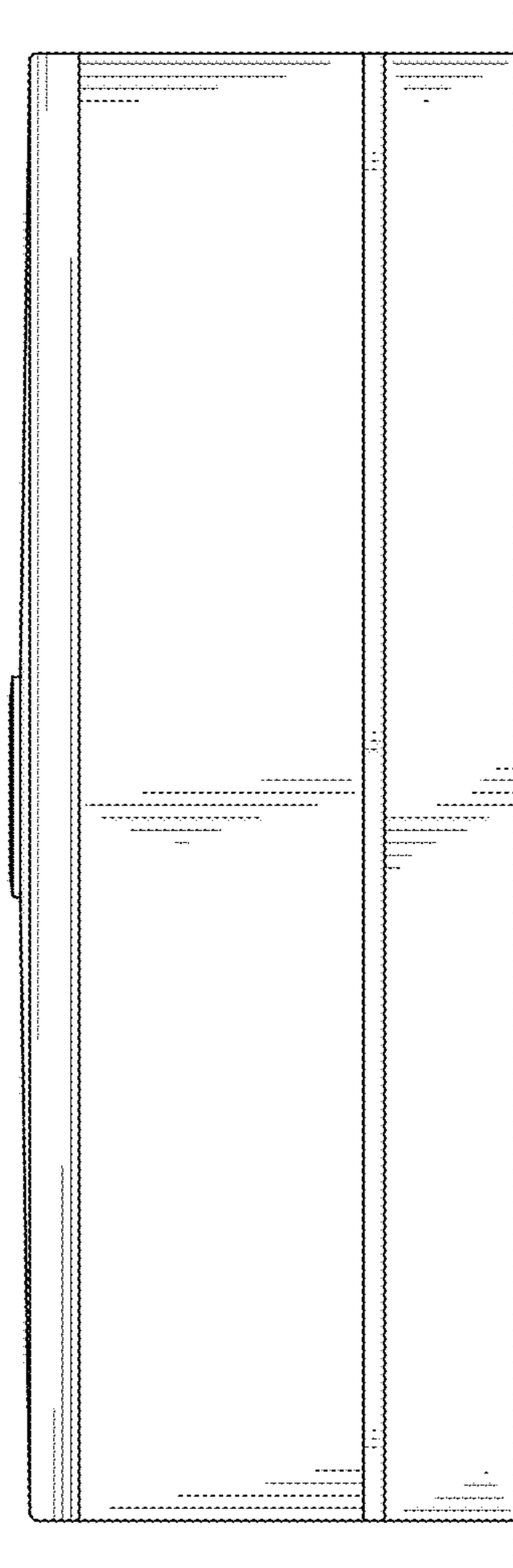


FIG. 6

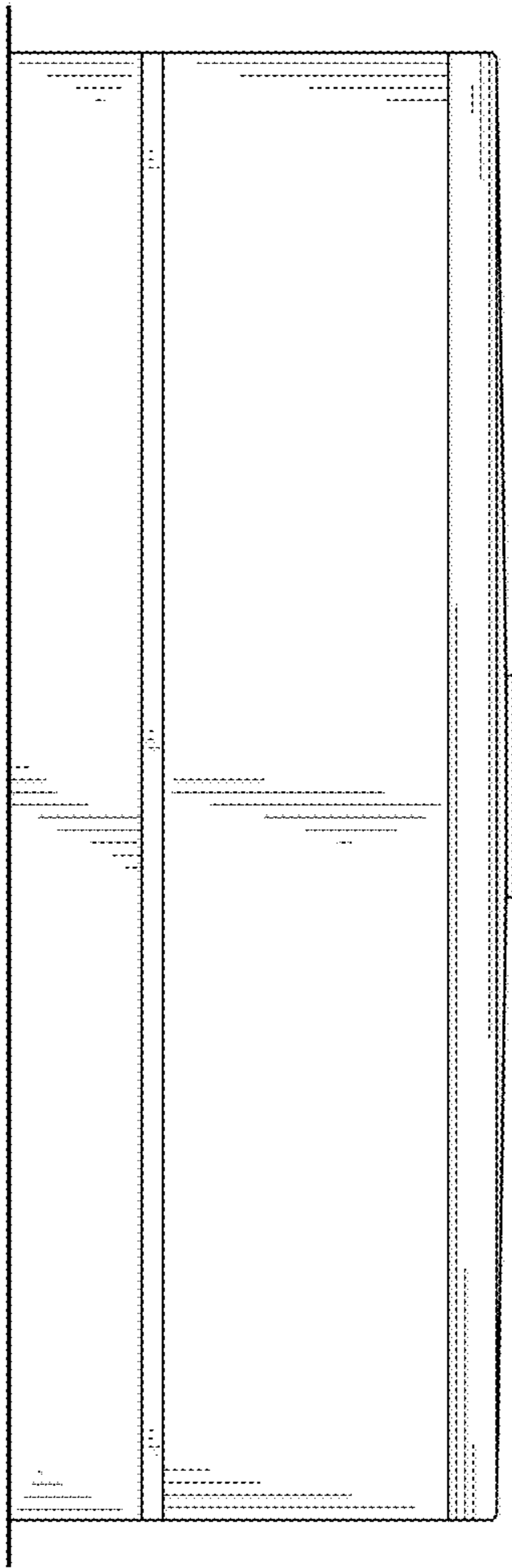


FIG. 7