



US00D854129S

(12) **United States Design Patent** (10) **Patent No.:** **US D854,129 S**  
**Kluck et al.** (45) **Date of Patent:** **\*\* Jul. 16, 2019**

(54) **LAVATORY SYSTEM WITH MULTI-USE FAUCET**

(71) Applicant: **Bradley Corporation**, Menomonee Falls, WI (US)

(72) Inventors: **Scott Michael Kluck**, Mequon, WI (US); **William L. Haas**, Richfield, WI (US)

(73) Assignee: **Bradley Corporation**, Menomonee Falls, WI (US)

(\*\*) Term: **15 Years**

(21) Appl. No.: **29/607,055**

(22) Filed: **Jun. 9, 2017**

**Related U.S. Application Data**

(63) Continuation of application No. 29/559,402, filed on Mar. 28, 2016, now Pat. No. Des. 813,360.

(51) **LOC (11) Cl.** ..... **23-01**

(52) **U.S. Cl.**  
USPC ..... **D23/284**

(58) **Field of Classification Search**  
USPC ..... D23/238–243, 249–250, 254, 255, 257, D23/284, 293.1, 308; D28/54.1, 58; D6/542–545

(Continued)

(56) **References Cited**

**U.S. PATENT DOCUMENTS**

D268,949 S \* 5/1983 Delepine ..... D23/255

D468,815 S \* 1/2003 Kahle ..... D23/284

(Continued)

**OTHER PUBLICATIONS**

Murray, U.S. Appl. No. 29/559,402.

Loberger, U.S. Appl. No. 15/176,406.

*Primary Examiner* — Robert A Delehanty

(74) *Attorney, Agent, or Firm* — Boyle Fredrickson, S.C.

(57) **CLAIM**

The ornamental design for lavatory system with multi-use faucet, substantially as shown and described.

**DESCRIPTION**

FIG. 1 is a raised perspective view of a lavatory system with multi-use faucet showing a basin with an unclaimed multi-use faucet, according to a first embodiment of the invention; FIG. 2 is a top view of the lavatory system with multi-use faucet of FIG. 1;

FIG. 3 is a sectional view of the lavatory system with multi-use faucet taken along line 3-3 in FIG. 2;

FIG. 4 is a bottom view of the lavatory system with multi-use faucet of FIG. 1;

FIG. 5 is a front view of the lavatory system with multi-use faucet of FIG. 1;

FIG. 6 is a rear view of the lavatory system with multi-use faucet of FIG. 1;

FIG. 7 is a right side view of the lavatory system with multi-use faucet of FIG. 1;

FIG. 8 is a left side view of the lavatory system with multi-use faucet of FIG. 1;

FIG. 9 is a lowered perspective view of the lavatory system with multi-use faucet of FIG. 1;

FIG. 10 is a raised perspective view of a lavatory system with multi-use faucet showing a basin with an unclaimed multi-use faucet, according to a second embodiment of the invention;

FIG. 11 is a top view of the lavatory system with multi-use faucet of FIG. 10;

FIG. 12 is a sectional view of the lavatory system with multi-use faucet taken along line 12-12 in FIG. 11;

FIG. 13 is a bottom view of the lavatory system with multi-use faucet of FIG. 10;

FIG. 14 is a front view of the lavatory system with multi-use faucet of FIG. 10;

FIG. 15 is a rear view of the lavatory system with multi-use faucet of FIG. 10;

FIG. 16 is a right side view of the lavatory system with multi-use faucet of FIG. 10;

(Continued)

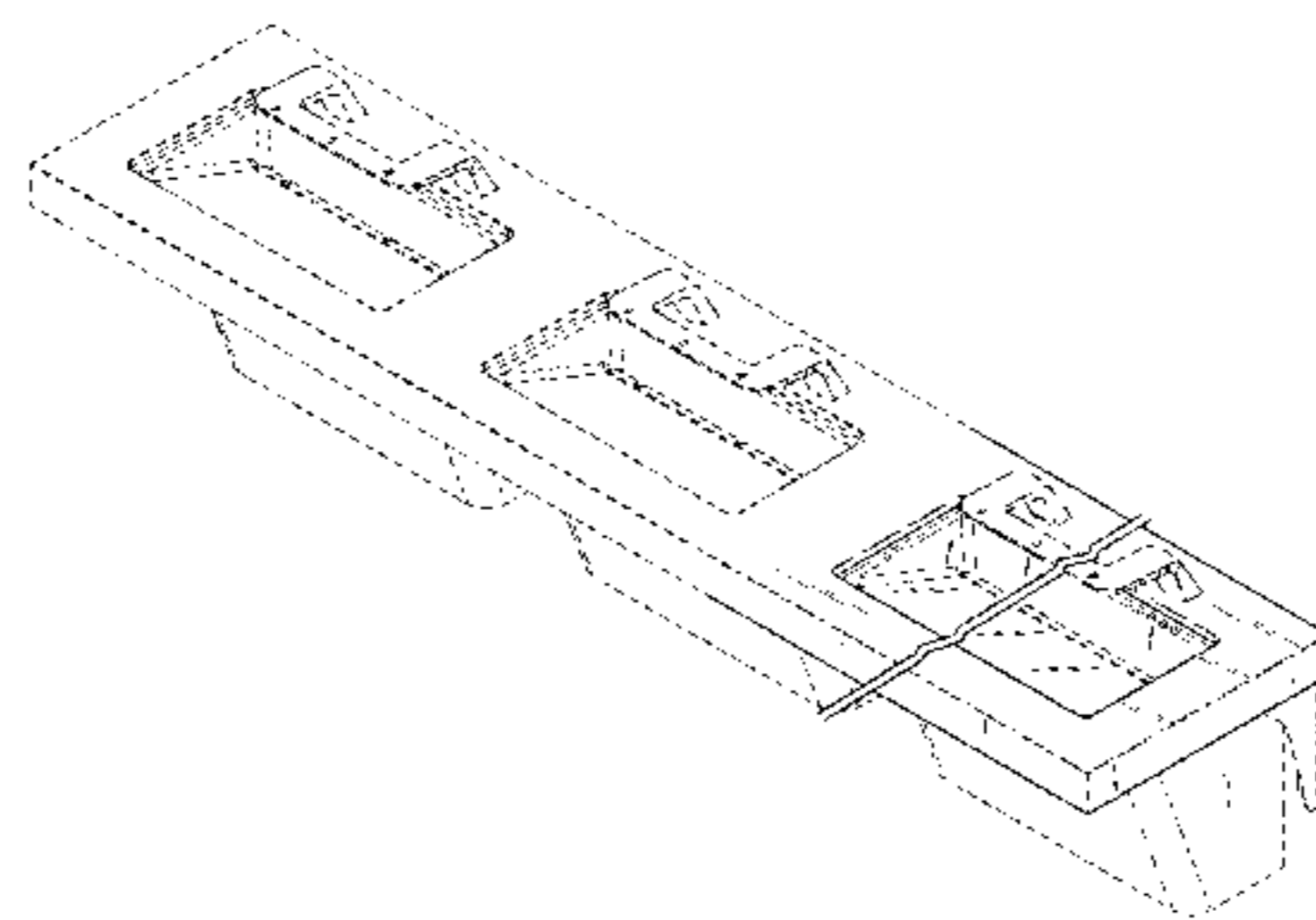


FIG. 17 is a left side view of the lavatory system with multi-use faucet of FIG. 10;  
 FIG. 18 is a lowered perspective view of the lavatory system with multi-use faucet of FIG. 10;  
 FIG. 19 is a raised perspective view of a lavatory system with multi-use faucet showing a basin with an unclaimed multi-use faucet, according to a third embodiment of the invention;  
 FIG. 20 is a top view of the lavatory system with multi-use faucet of FIG. 19;  
 FIG. 21 is a sectional view of the lavatory system with multi-use faucet taken along line 21-21 in FIG. 20;  
 FIG. 22 is a bottom view of the lavatory system with multi-use faucet of FIG. 19;  
 FIG. 23 is a front view of the lavatory system with multi-use faucet of FIG. 19;  
 FIG. 24 is a rear view of the lavatory system with multi-use faucet of FIG. 19;  
 FIG. 25 is a right side view of the lavatory system with multi-use faucet of FIG. 19;  
 FIG. 26 is a left side view of the lavatory system with multi-use faucet of FIG. 19; and,  
 FIG. 27 is a lowered perspective view of the lavatory system with multi-use faucet of FIG. 19.  
 The broken lines shown in the drawings form no part of the claimed design. The surface shading illustrated in the drawings is provided merely to highlight the contour of the design and is not part of the claimed design. All surfaces not shown form no part of the claimed design.

The claim is shown with a symbolic break in its length. The appearance of any portion of the article between the break lines forms no part of the claimed design.

**1 Claim, 24 Drawing Sheets**

(58) **Field of Classification Search**

CPC ..... E03C 1/04; E03C 1/0401; E03C 1/0402;  
 E03C 1/0404; E03C 1/057; E03C 1/052;  
 F16K 31/602; F16K 31/605; F16K  
 31/607; A47K 5/1217; A47K 10/48  
 See application file for complete search history.

(56) **References Cited**

U.S. PATENT DOCUMENTS

D545,415	S	*	6/2007	Tani	.....	D23/293.1
D629,877	S	*	12/2010	Rundberg	.....	D23/308
D640,778	S		6/2011	Rundberg		
D649,232	S		11/2011	Rundberg		
D687,530	S	*	8/2013	McGuire	.....	D23/308
D691,247	S	*	10/2013	McGuire	.....	D23/308
D691,248	S	*	10/2013	McGuire	.....	D23/308
8,997,271	B2	*	4/2015	Bayley	.....	A47K 10/48 4/638
D768,824	S	*	10/2016	Murray	.....	D23/238
D785,760	S	*	5/2017	Murray	.....	D23/238
D785,761	S	*	5/2017	Murray	.....	D23/238

\* cited by examiner

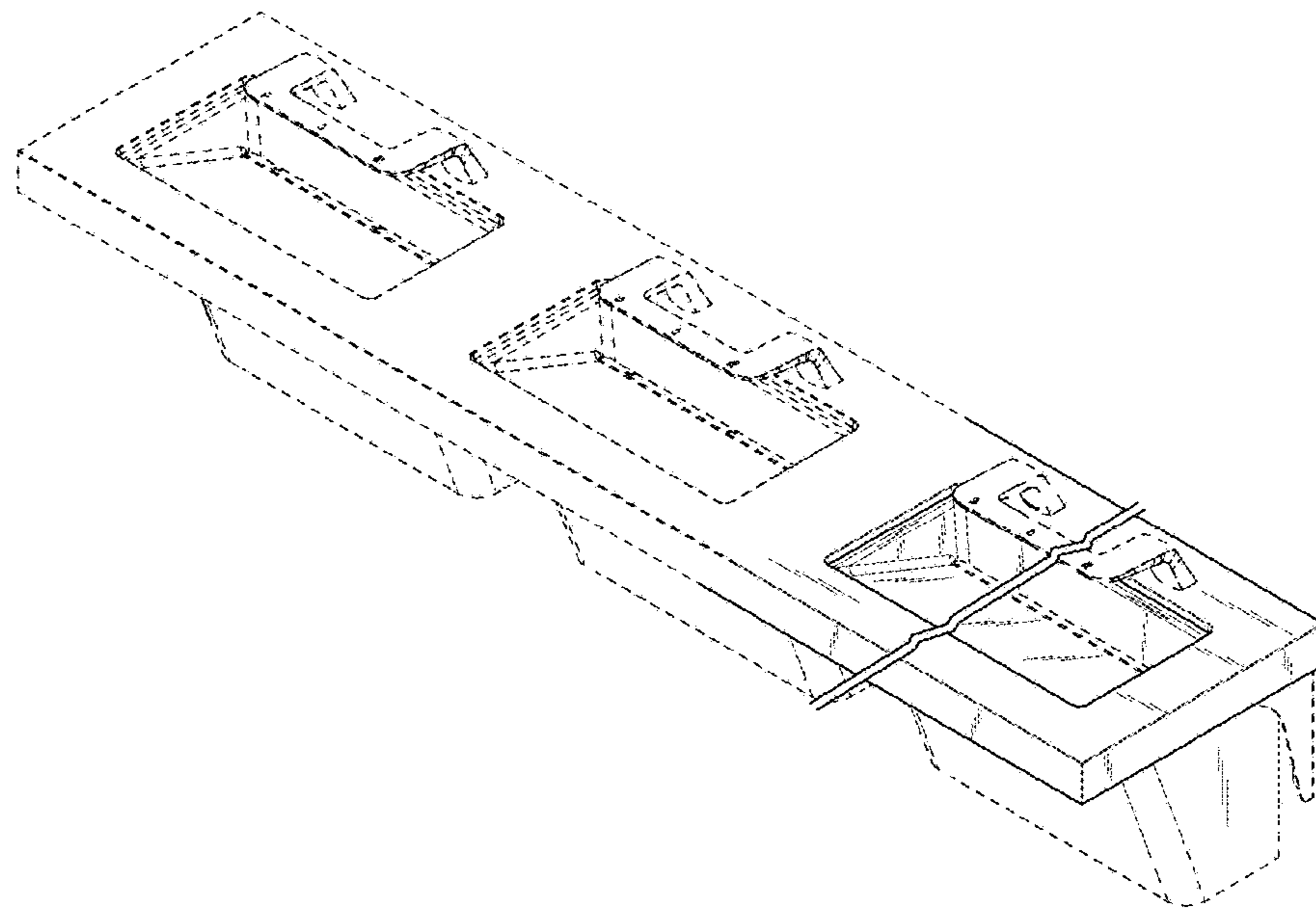


FIG. 1

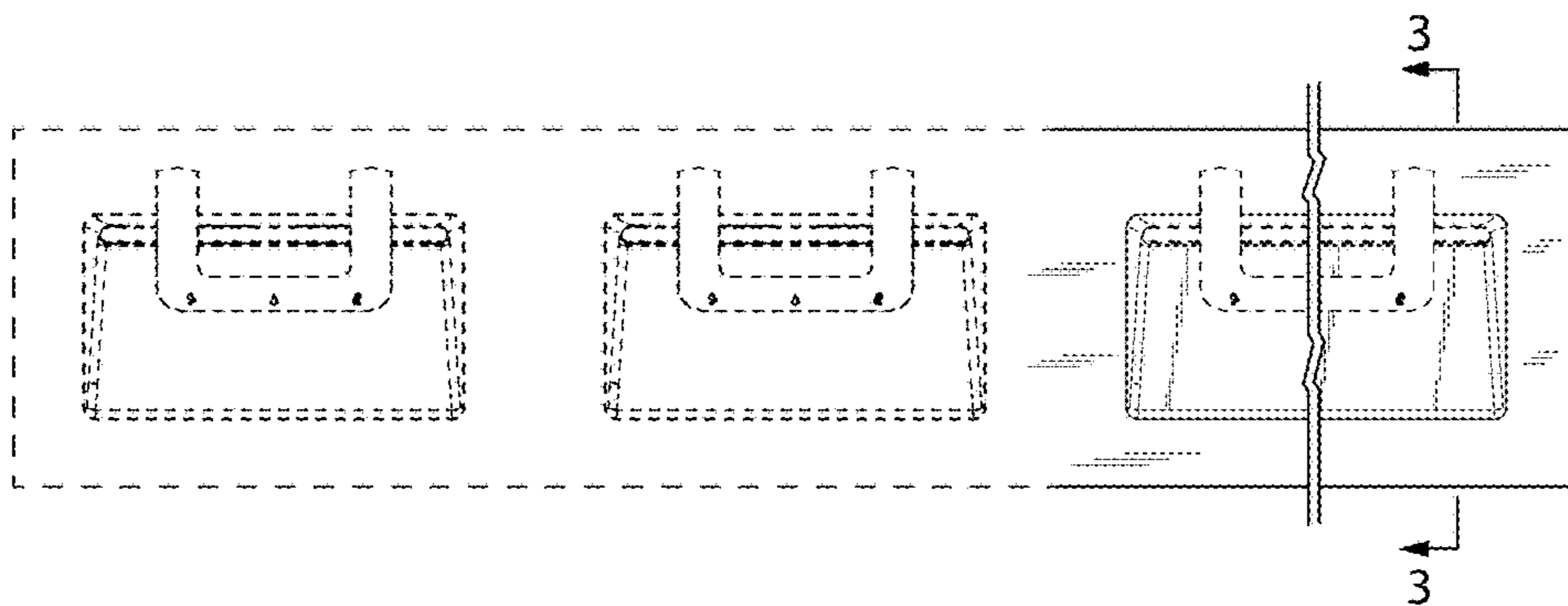


FIG. 2

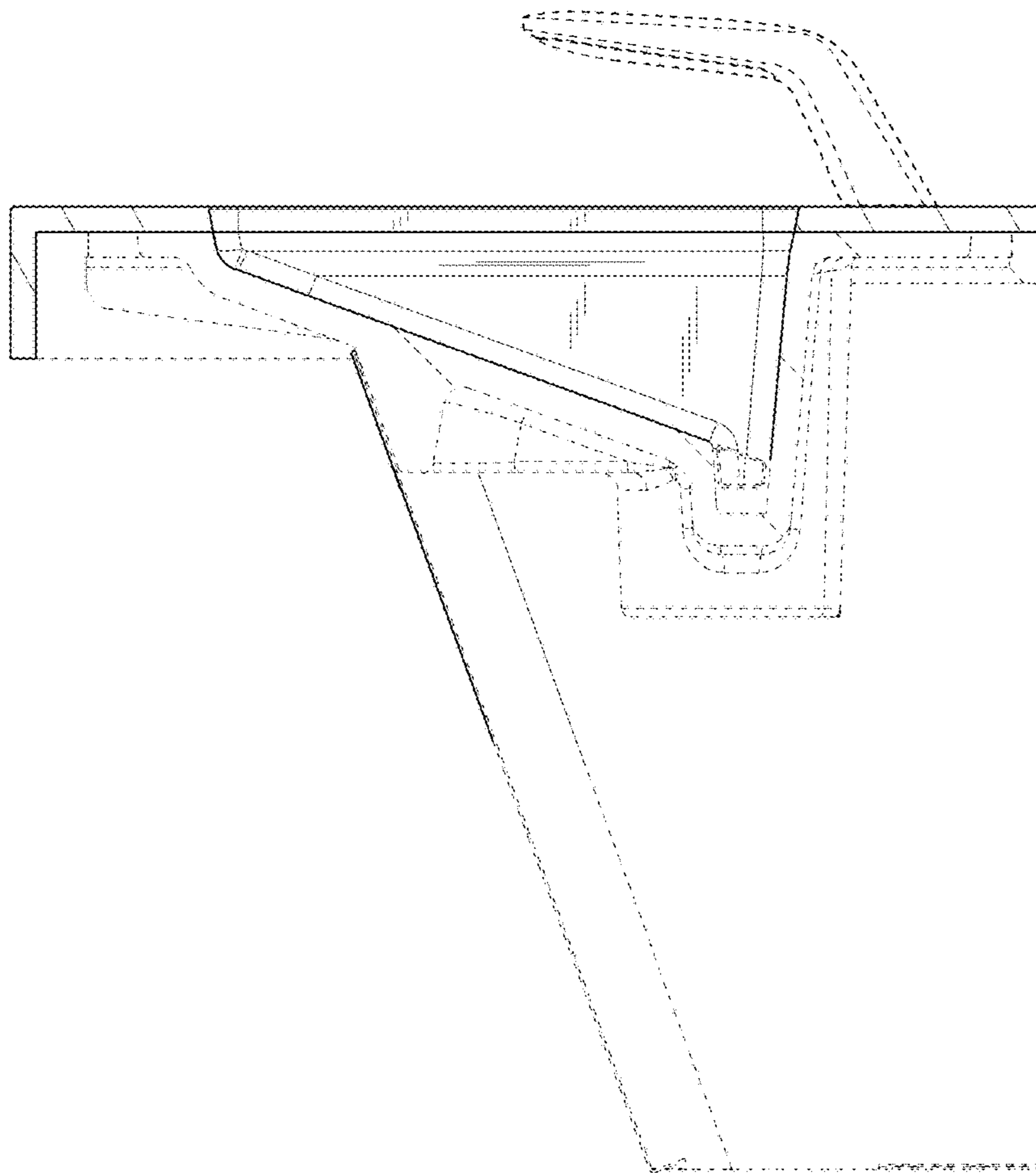


FIG. 3

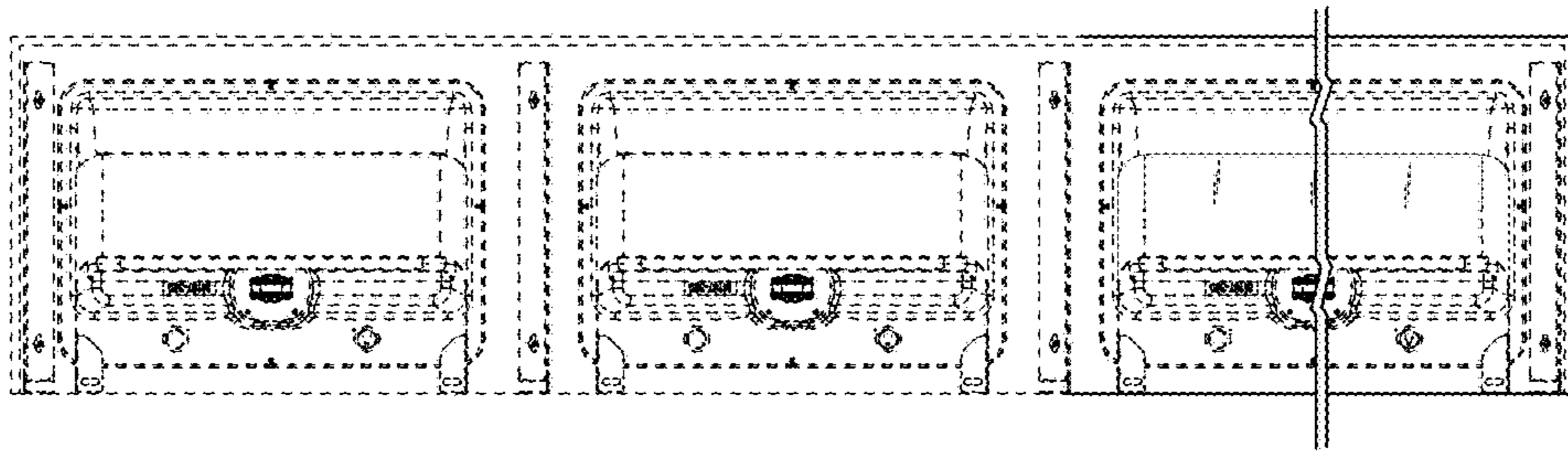


FIG. 4

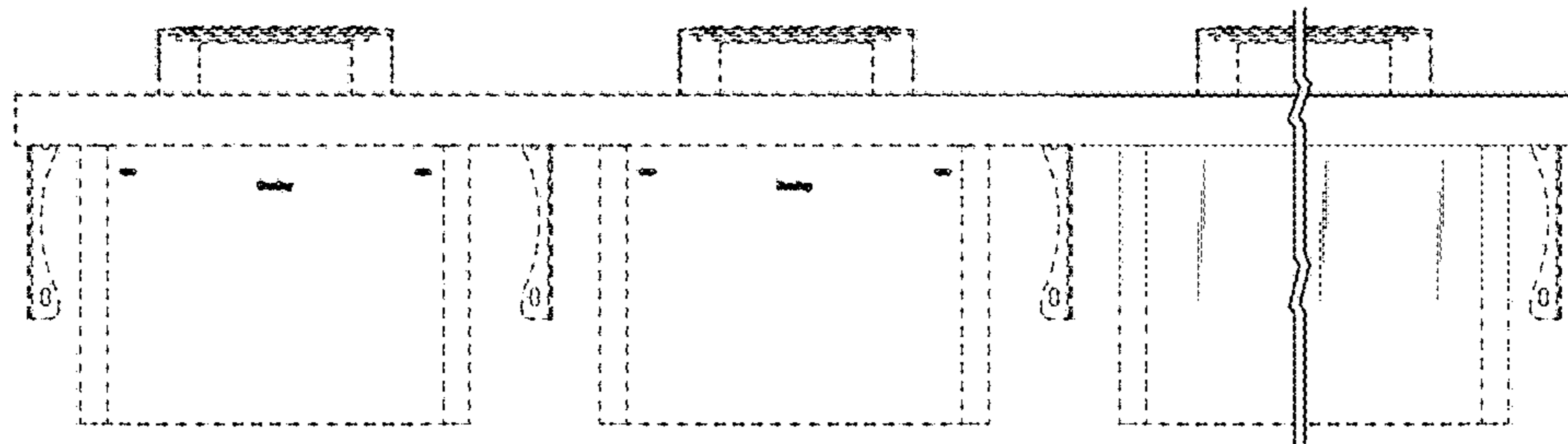


FIG. 5

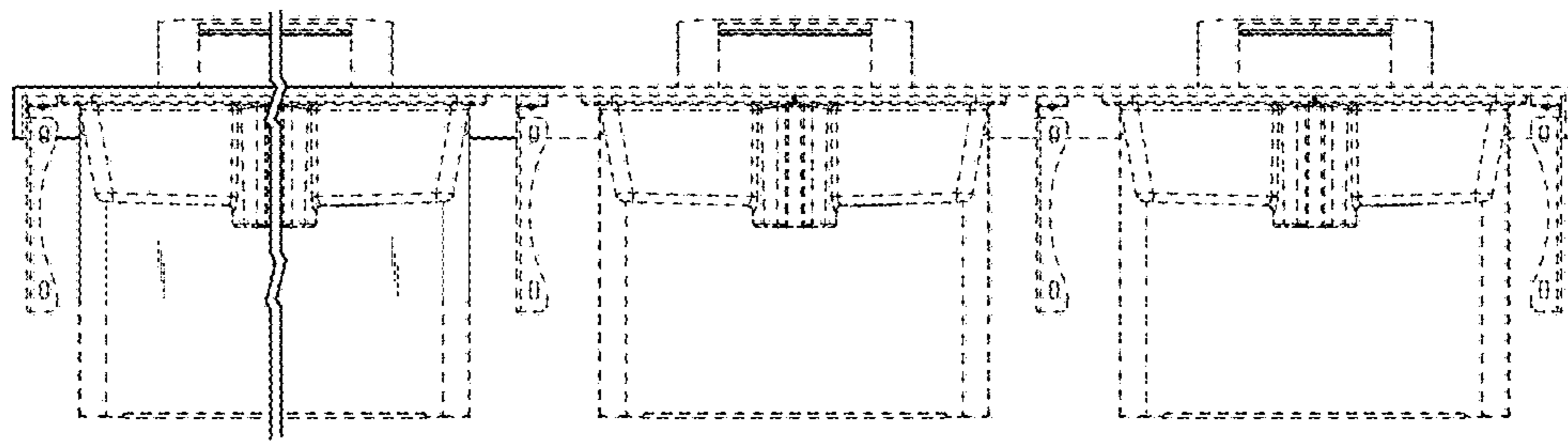


FIG. 6



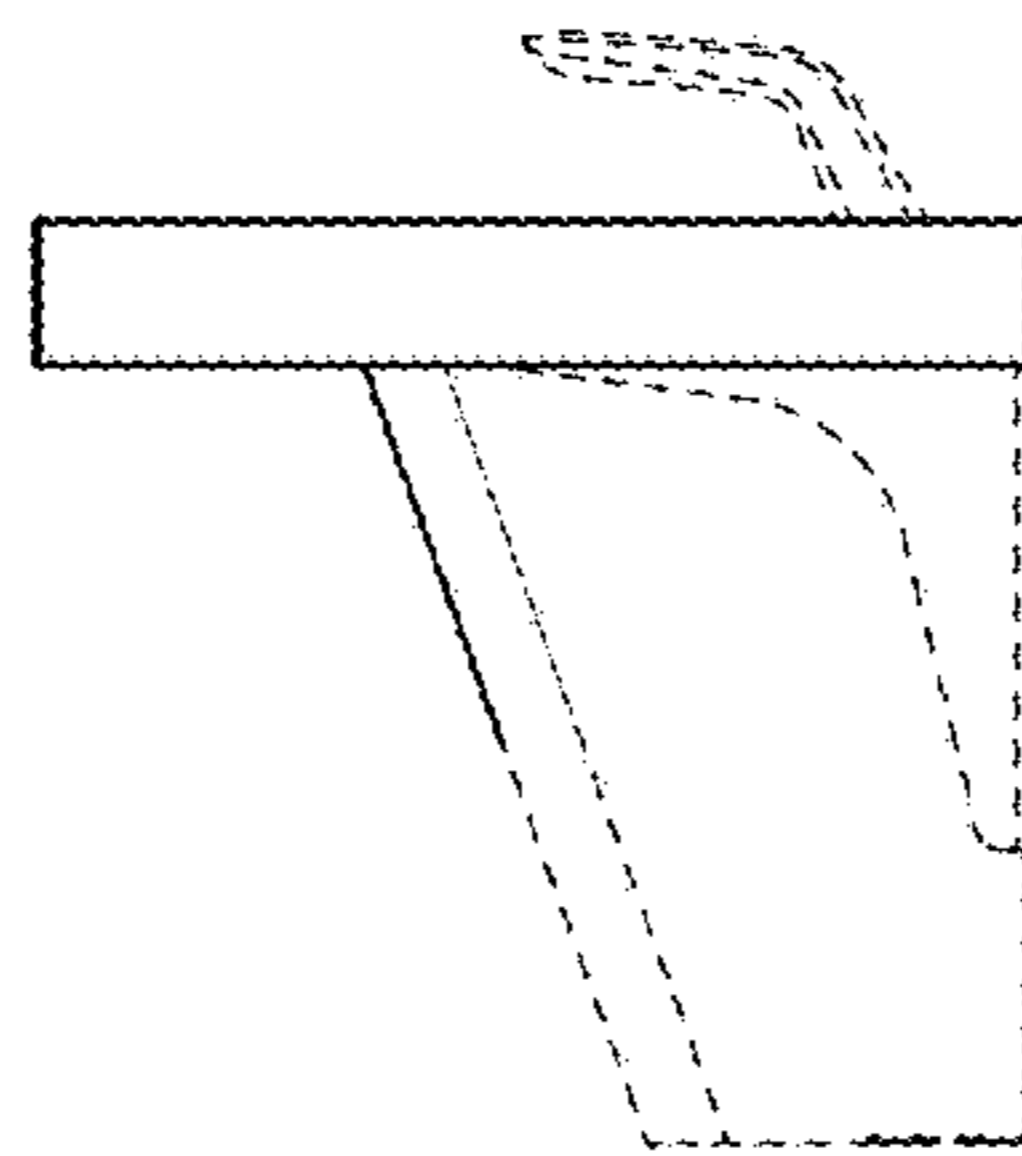


FIG. 7

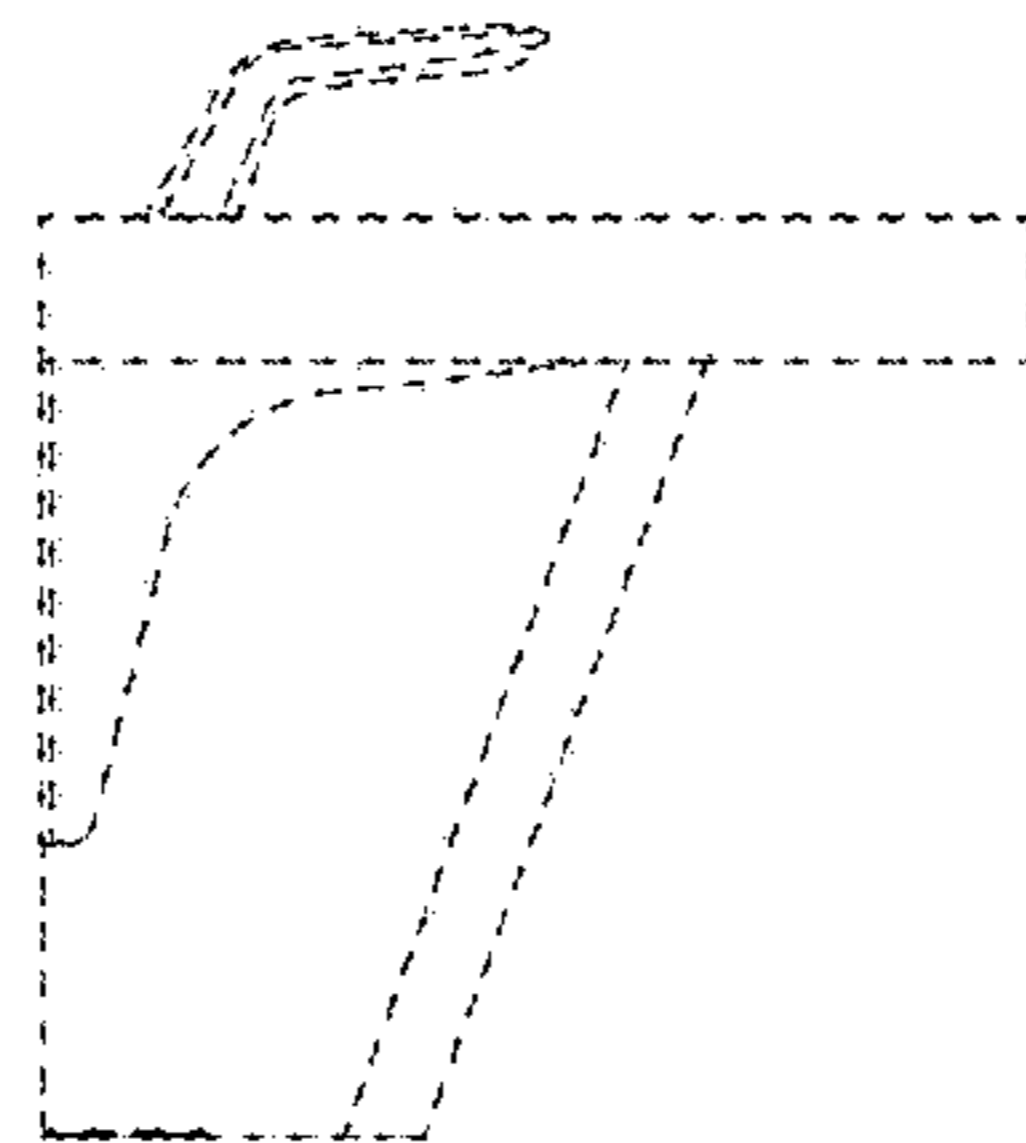


FIG. 8

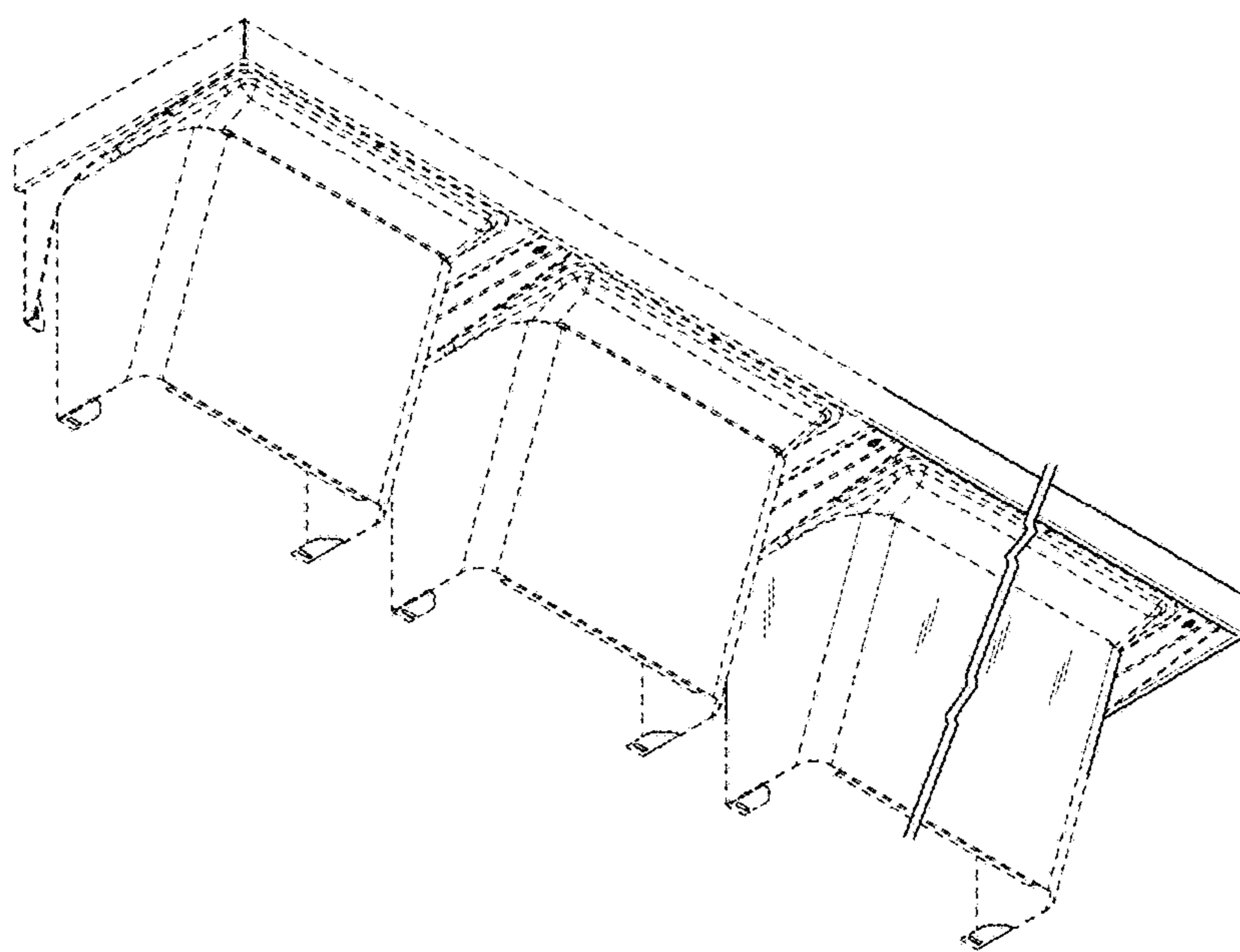


FIG. 9

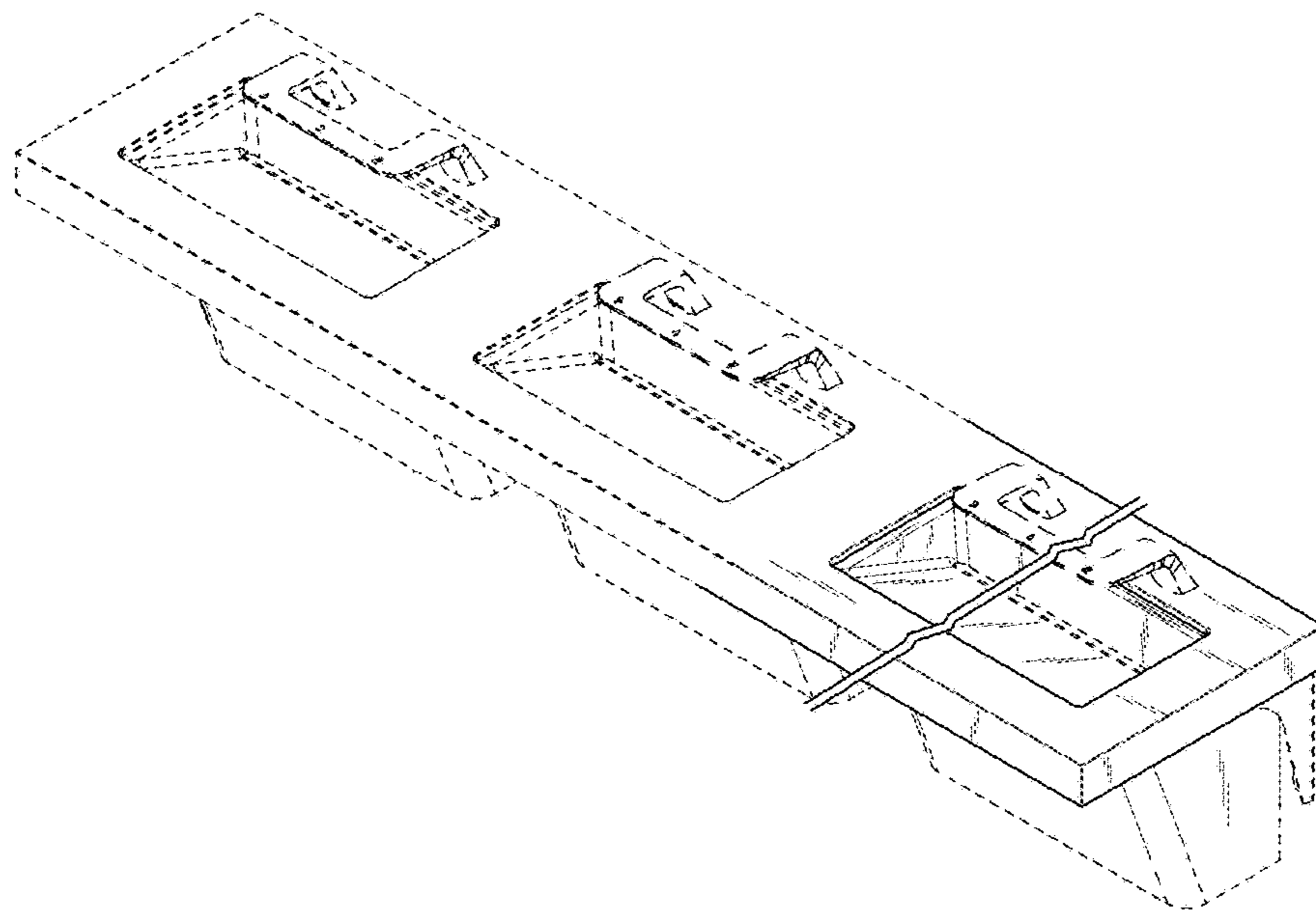


FIG. 10

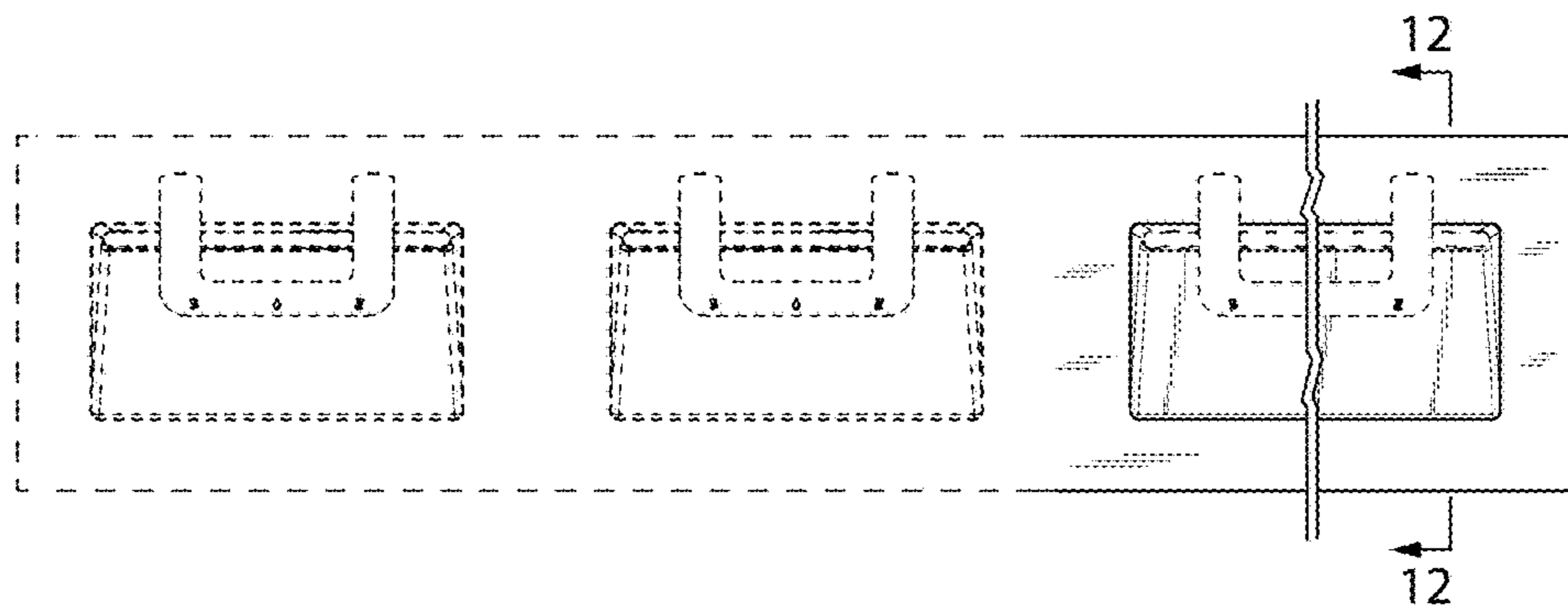


FIG. 11

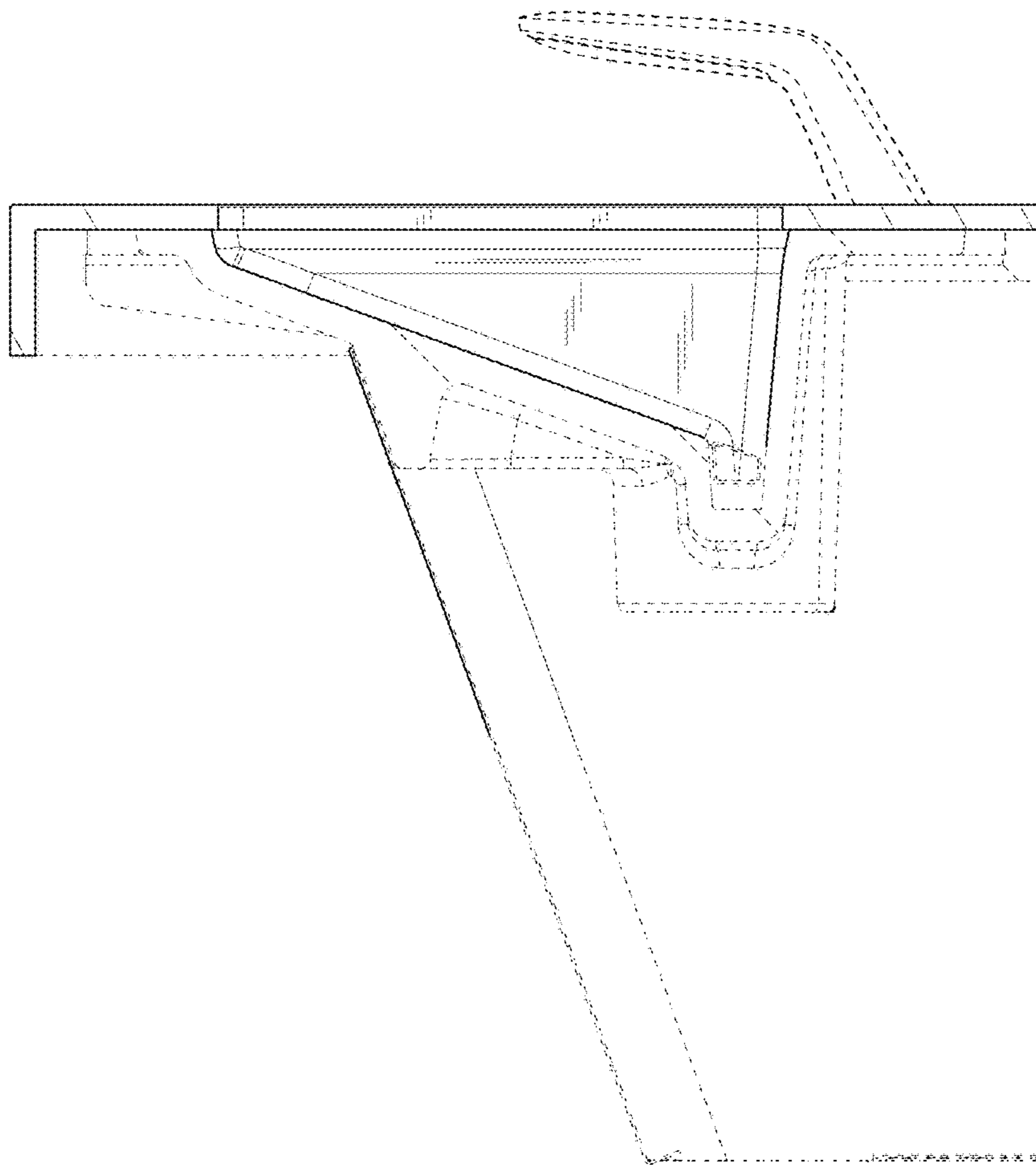


FIG. 12

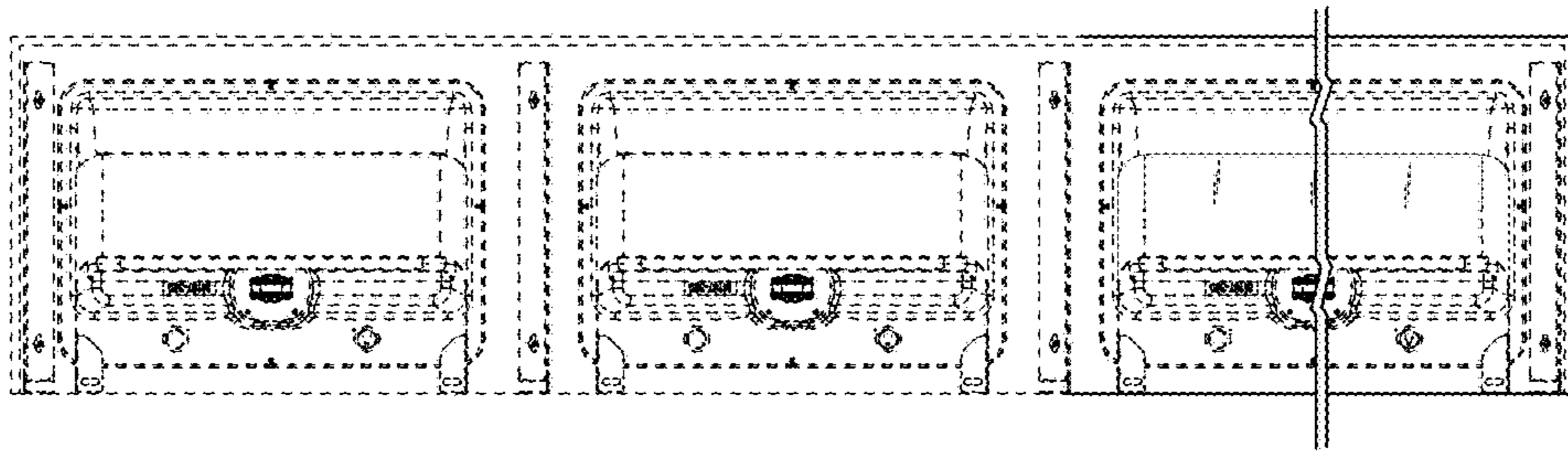


FIG. 13

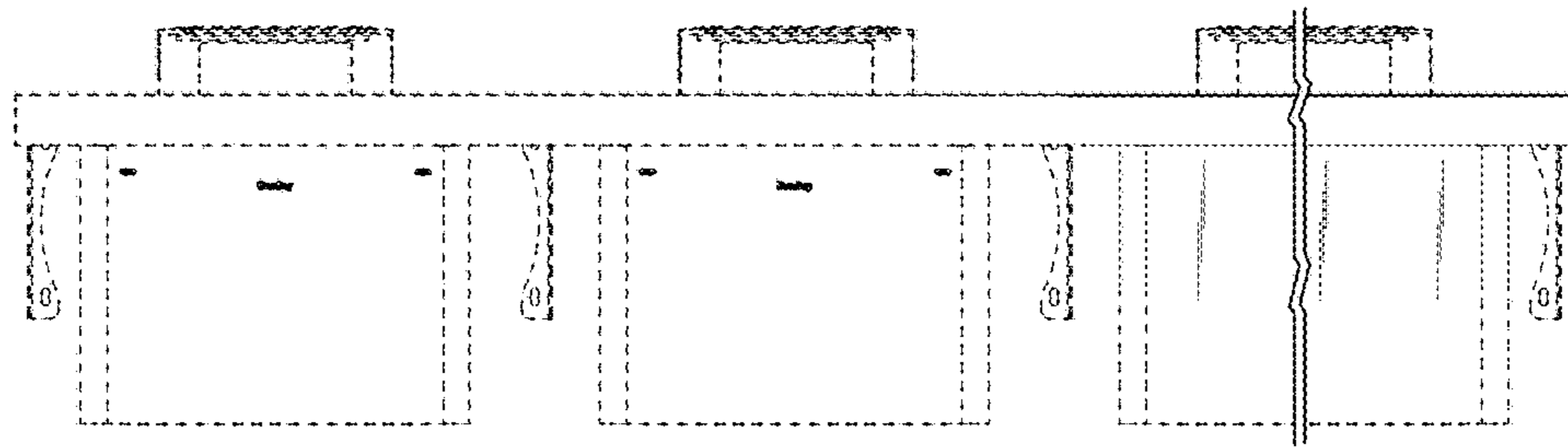


FIG. 14

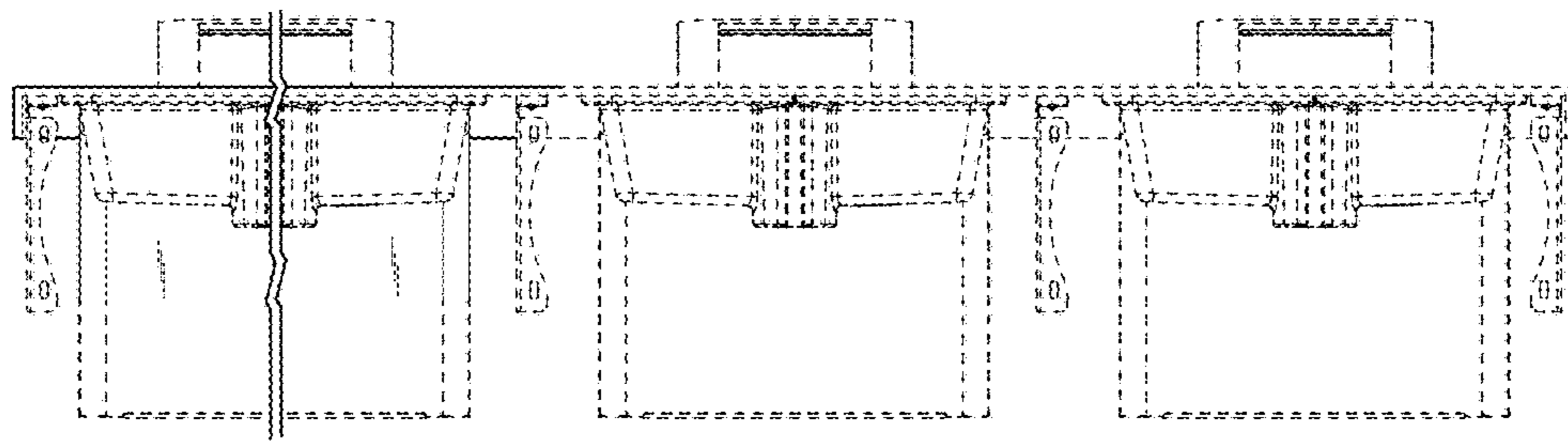


FIG. 15



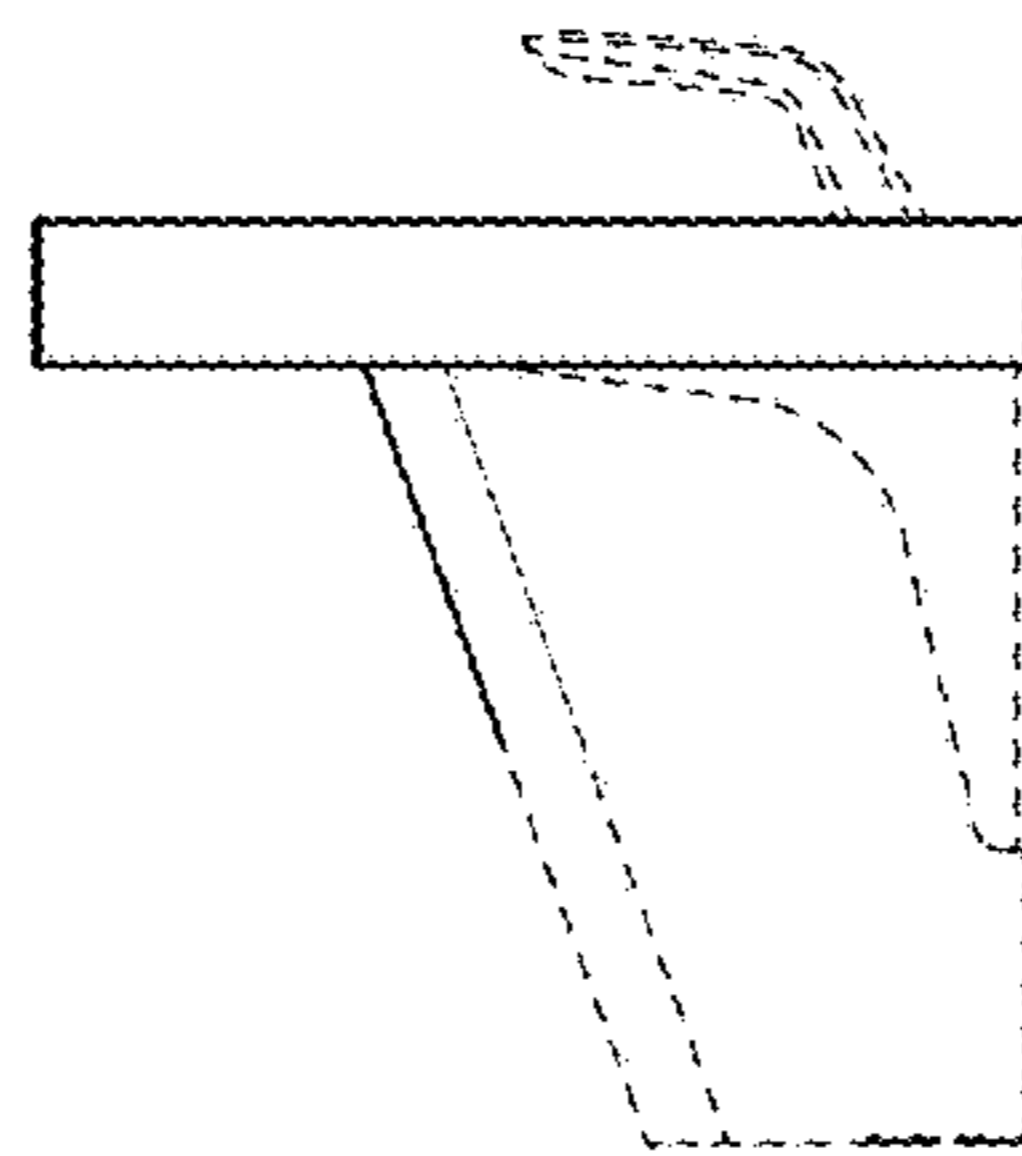


FIG. 16

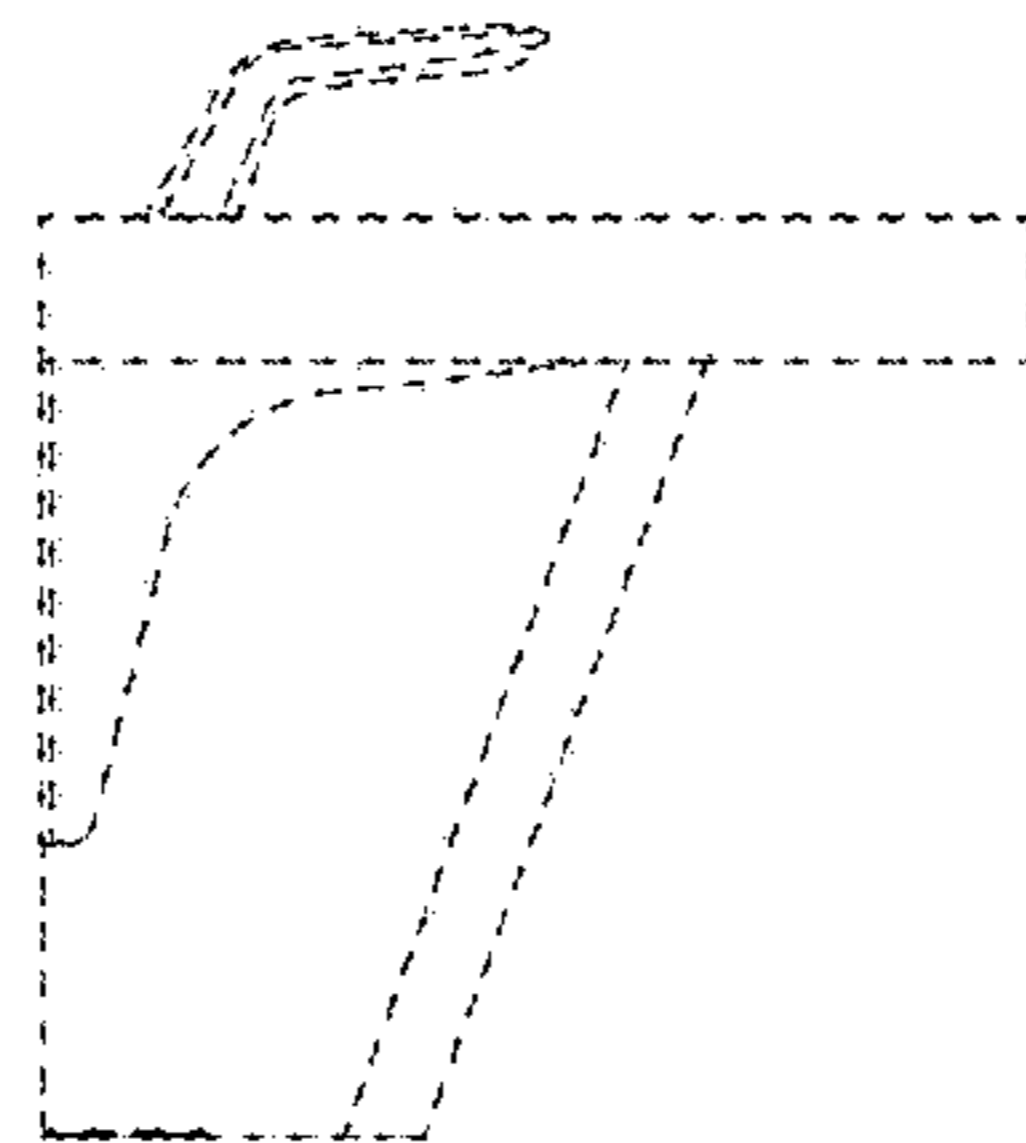


FIG. 17

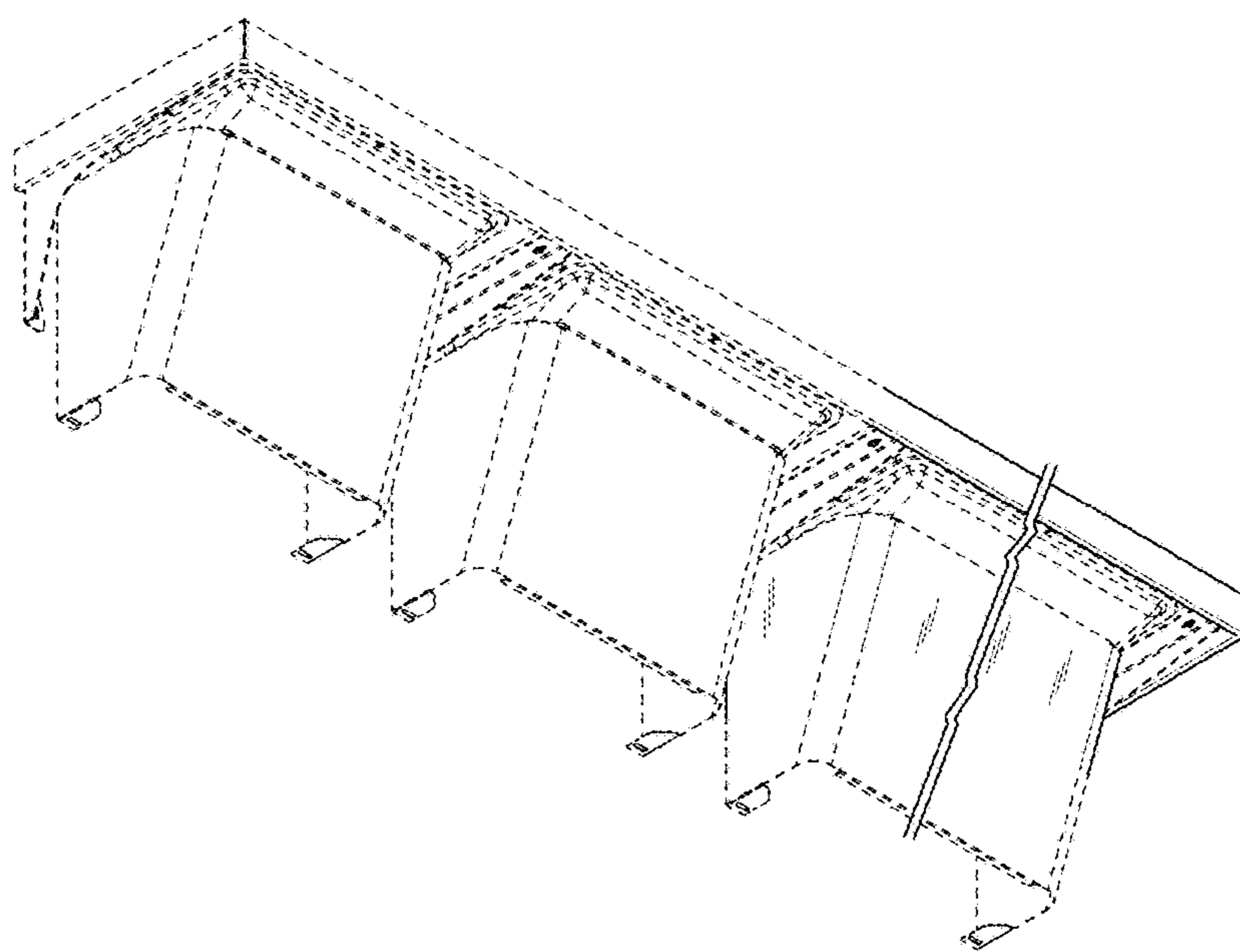


FIG. 18

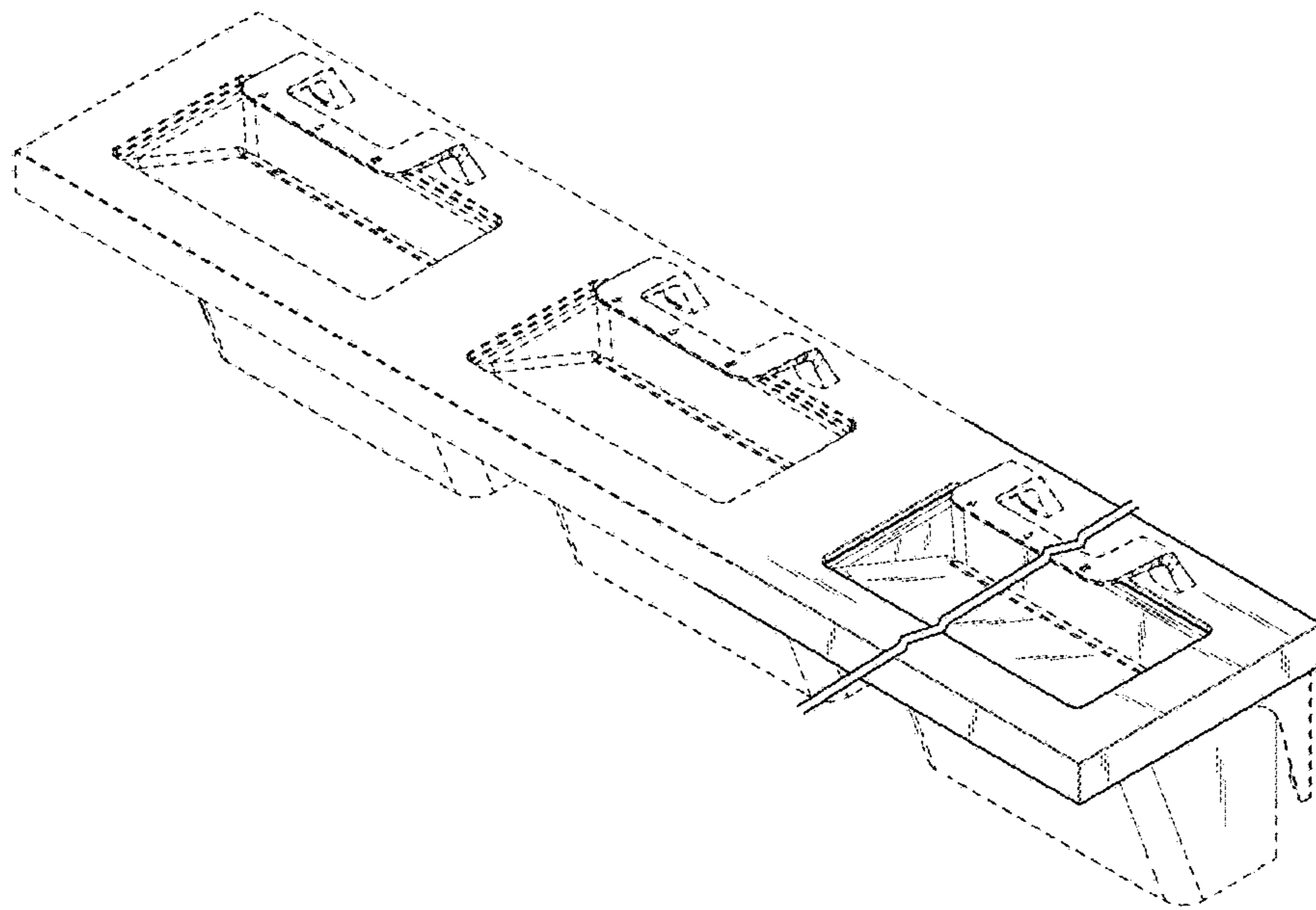


FIG. 19

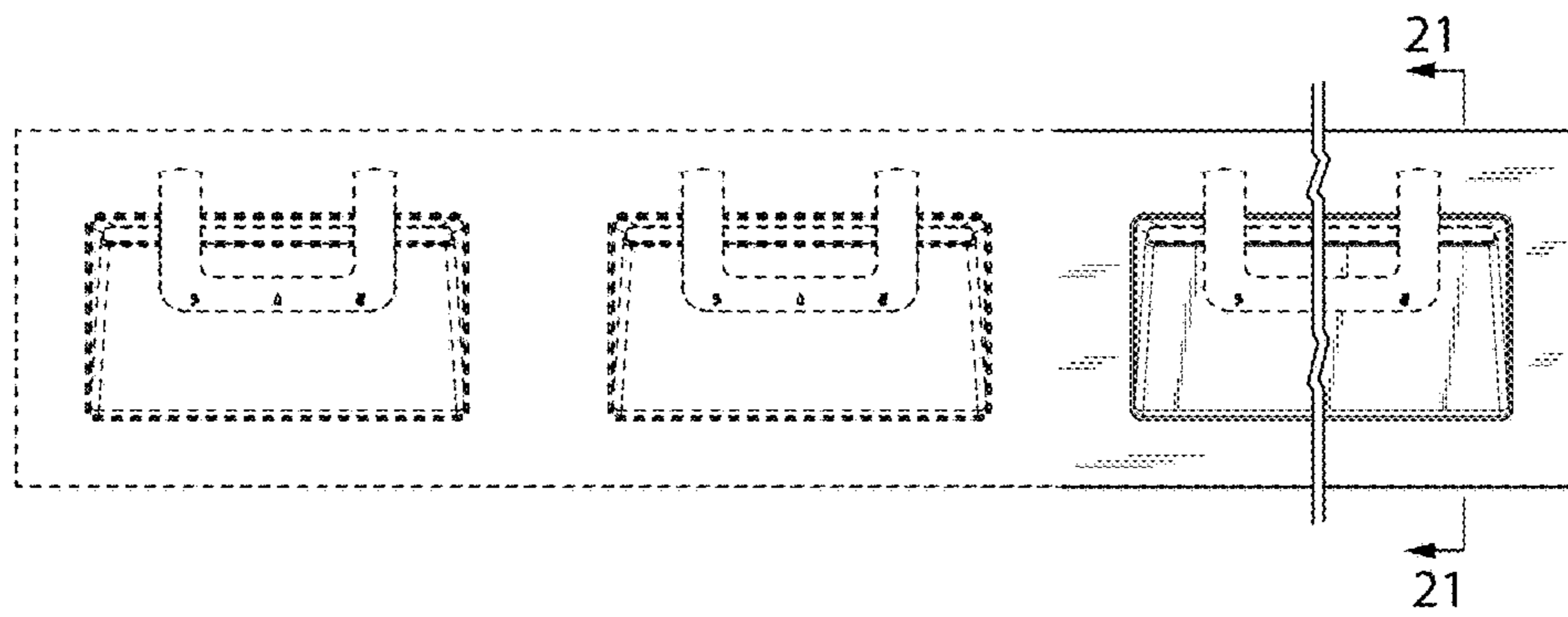


FIG. 20

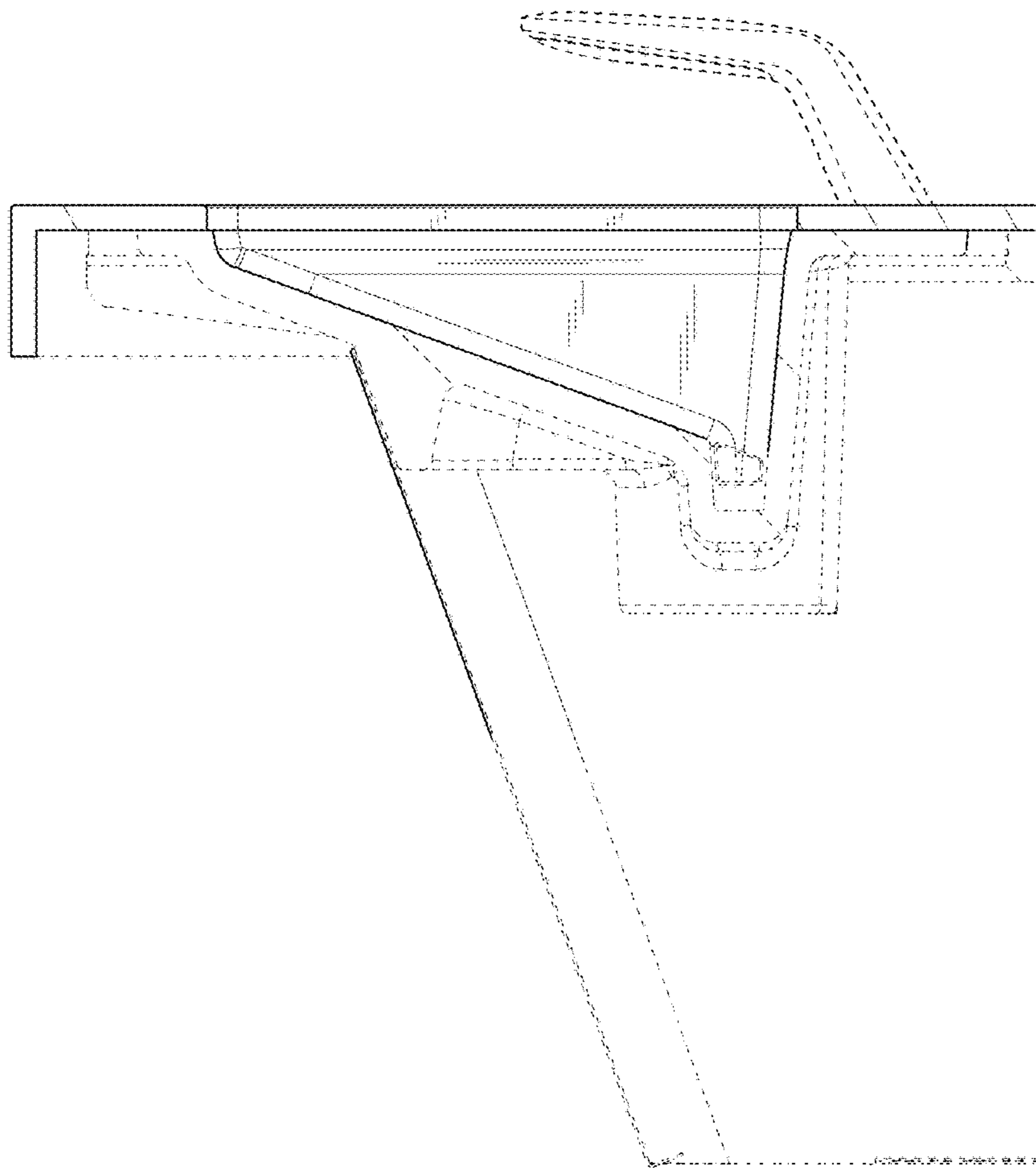


FIG. 21

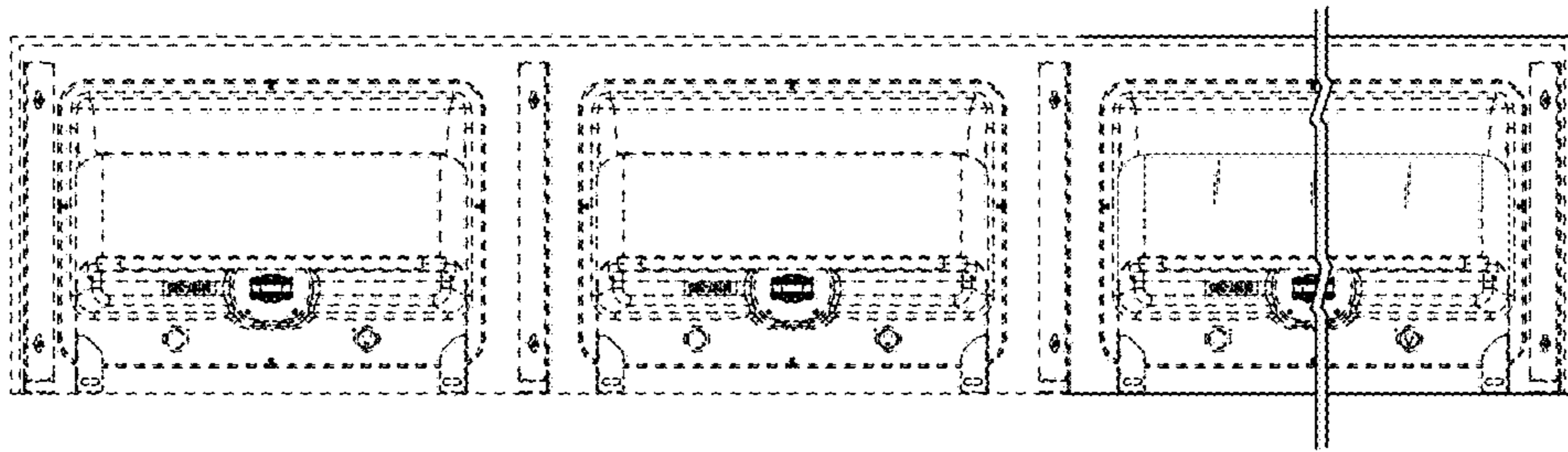


FIG. 22

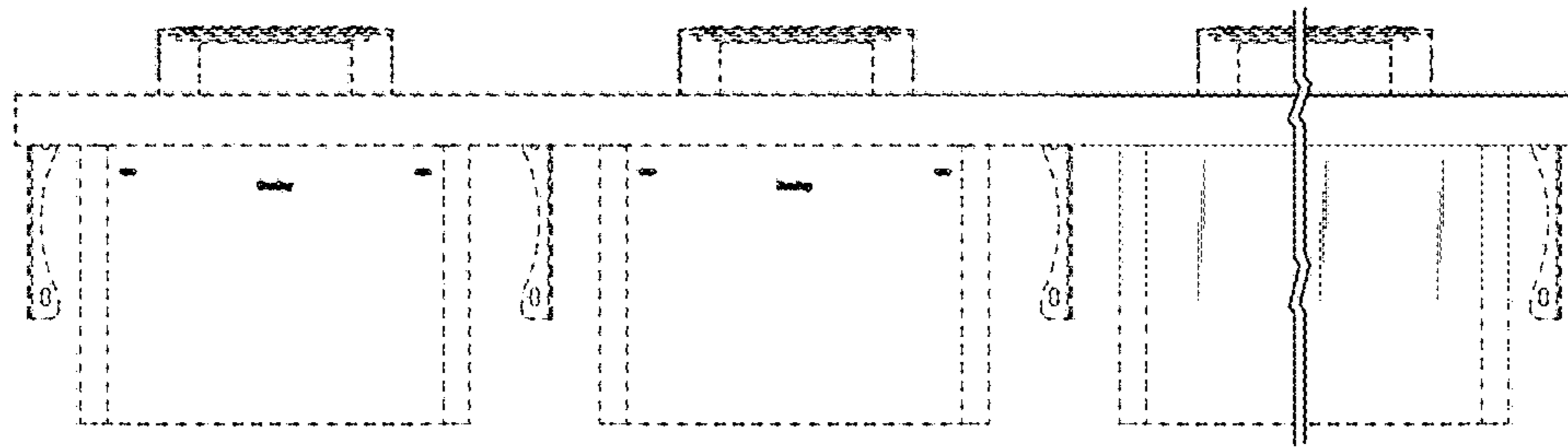


FIG. 23

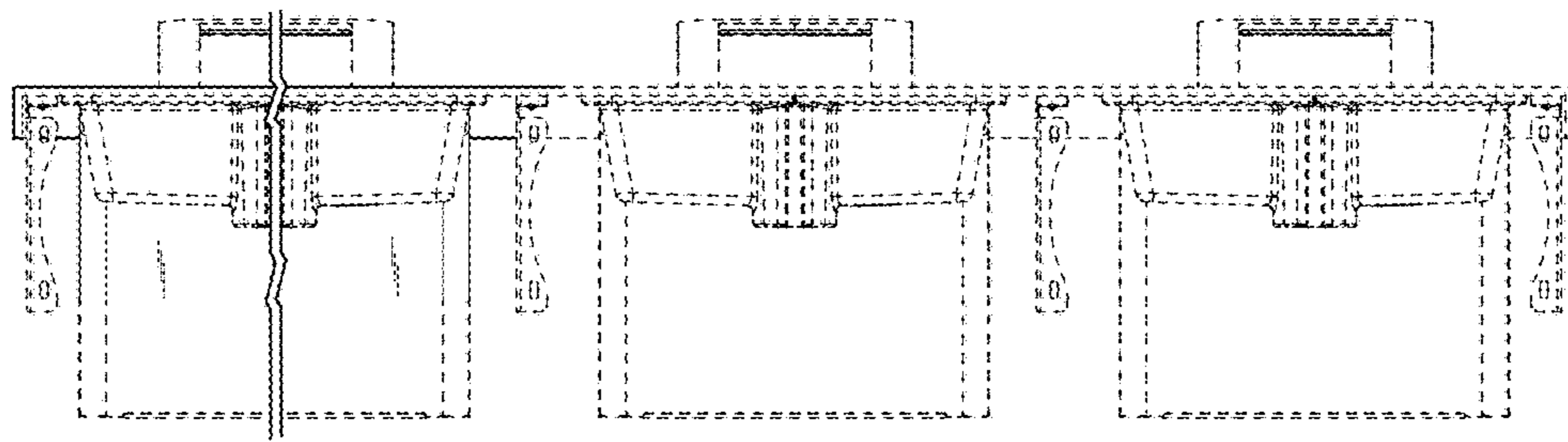


FIG. 24



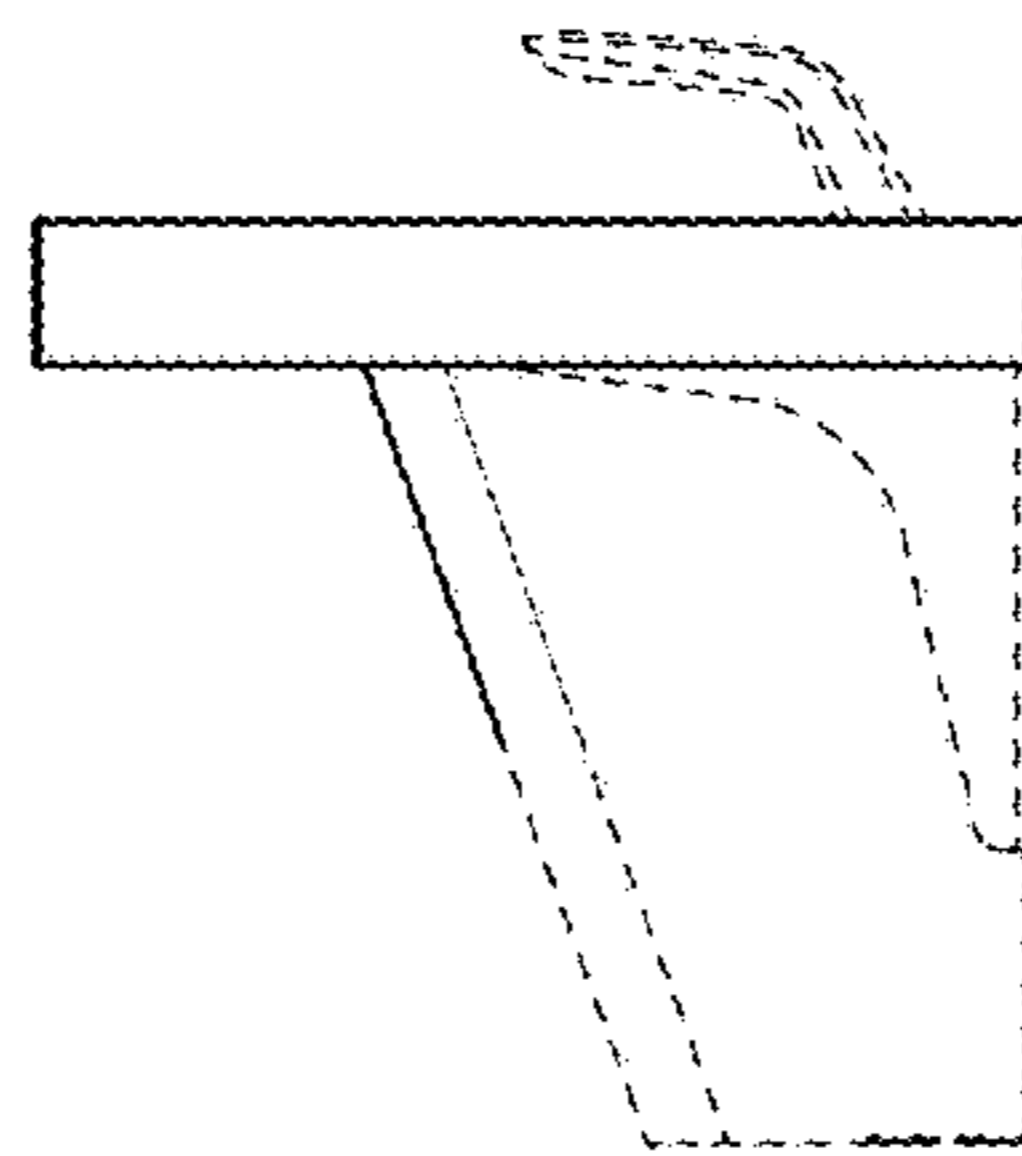


FIG. 25

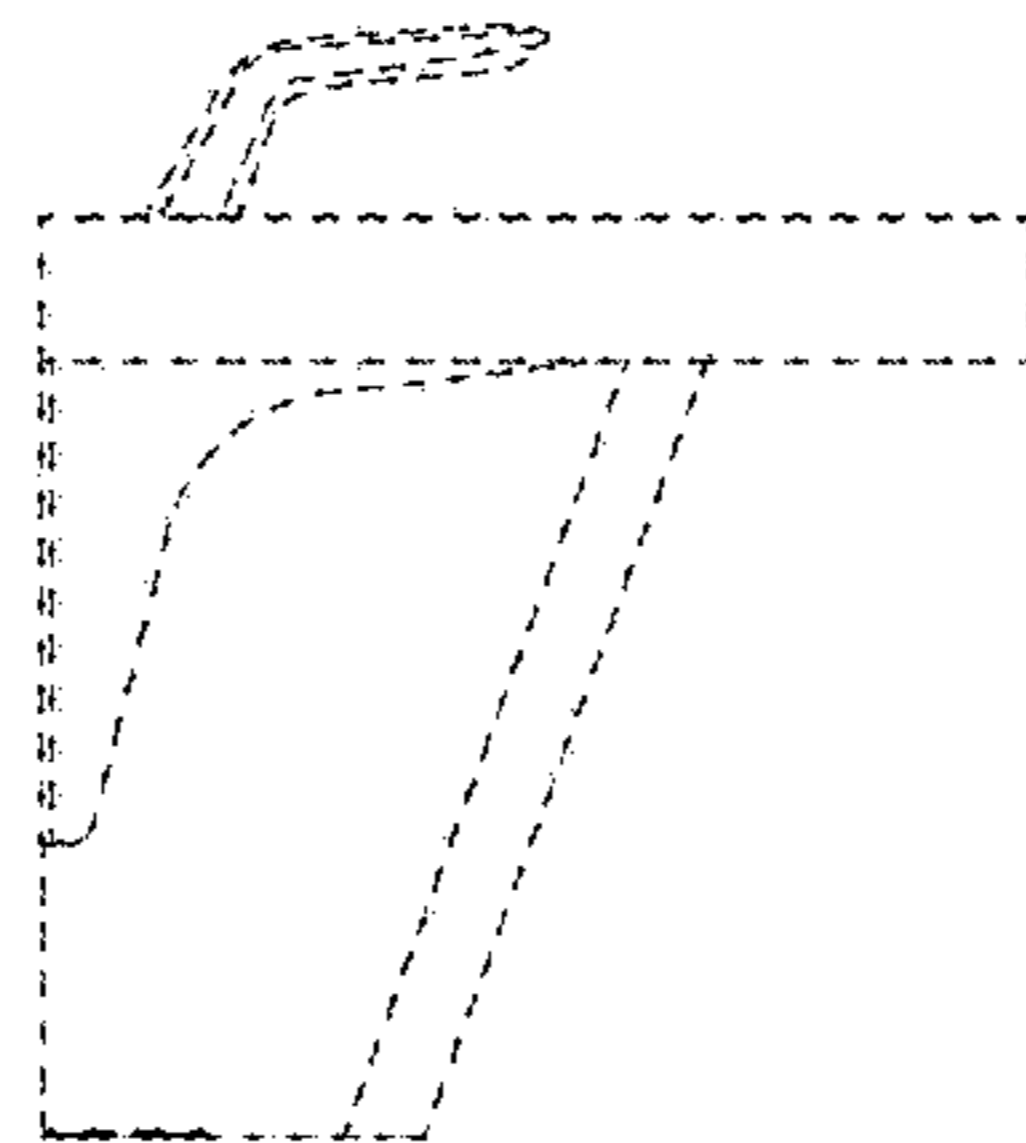


FIG. 26

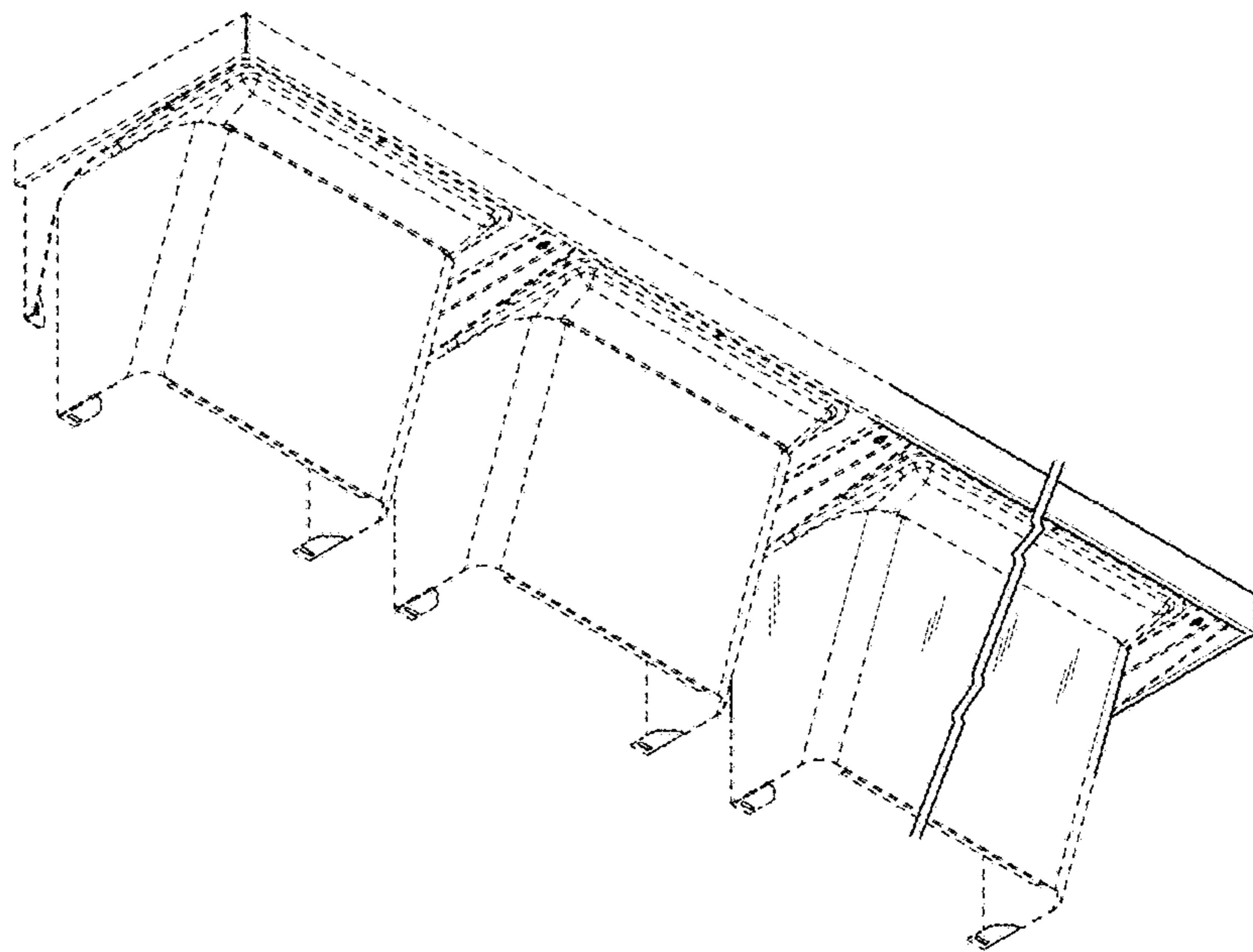


FIG. 27