



US00D854128S

(12) **United States Design Patent** (10) **Patent No.:** **US D854,128 S**  
**Norton et al.** (45) **Date of Patent:** **\*\* Jul. 16, 2019**

(54) **CRIMP COLLAR WITH NYLON INSERT COMBINATION**

(71) Applicant: **Goodridge (UK) Ltd.**, Exeter (GB)

(72) Inventors: **Peter Norton**, Exeter (GB); **Richard Vanstone**, Exeter (GB)

(73) Assignee: **Goodridge (UK) Ltd.**, Exeter (GB)

(\*\*) Term: **15 Years**

(21) Appl. No.: **29/552,178**

(22) Filed: **Jan. 20, 2016**

(30) **Foreign Application Priority Data**

Jul. 20, 2015 (EM) ..... 002740001

(51) **LOC (11) Cl.** ..... **23-01**

(52) **U.S. Cl.**  
USPC ..... **D23/266**

(58) **Field of Classification Search**

USPC ..... D23/233, 235, 248, 249, 258, 259, 260,  
D23/262, 266; D8/385; D12/180

CPC ..... F16L 33/00; F16L 33/227; F16L 33/28;  
F16L 33/30; F16L 33/32; F16L 33/20;  
F16L 33/207; F16L 33/2071; F16L  
33/2073

See application file for complete search history.

(56) **References Cited**

**U.S. PATENT DOCUMENTS**

D225,161 S \* 11/1972 Ritchie ..... D24/224  
D229,412 S \* 11/1973 Luckenbill ..... D23/262  
D297,759 S \* 9/1988 Kerschke ..... D23/266  
D309,173 S \* 7/1990 Stipe ..... D23/233

D407,802 S \* 4/1999 Hatfield ..... D23/262  
D453,815 S \* 2/2002 Hoenig ..... D23/259  
D455,819 S \* 4/2002 Hoenig ..... D23/259  
D480,453 S \* 10/2003 Filer ..... D23/262  
6,905,365 B1 \* 6/2005 Liu ..... H01R 9/0521  
439/578  
D598,985 S \* 8/2009 Smith ..... D23/259  
D631,542 S \* 1/2011 DeGross ..... D24/129  
D660,417 S \* 5/2012 Eury ..... D24/129  
8,257,286 B2 \* 9/2012 Meyer ..... A61H 9/0078  
285/328  
D700,695 S \* 3/2014 Koga ..... D23/386  
D701,304 S \* 3/2014 Lair ..... D24/129  
D798,423 S \* 9/2017 Aubin ..... D23/266

\* cited by examiner

*Primary Examiner* — Sandra S Snapp

*Assistant Examiner* — Ieisha N Price

(74) *Attorney, Agent, or Firm* — Honigman LLP

(57) **CLAIM**

The ornamental design for a crimp collar with nylon insert combination, as shown and described.

**DESCRIPTION**

FIG. 1 is a front/right side isometric view of the embodiment of the present invention;

FIG. 2 is a front elevational view of FIG. 1;

FIG. 3 is a rear elevational view of FIG. 1;

FIG. 4 is a right side elevational view of FIG. 1;

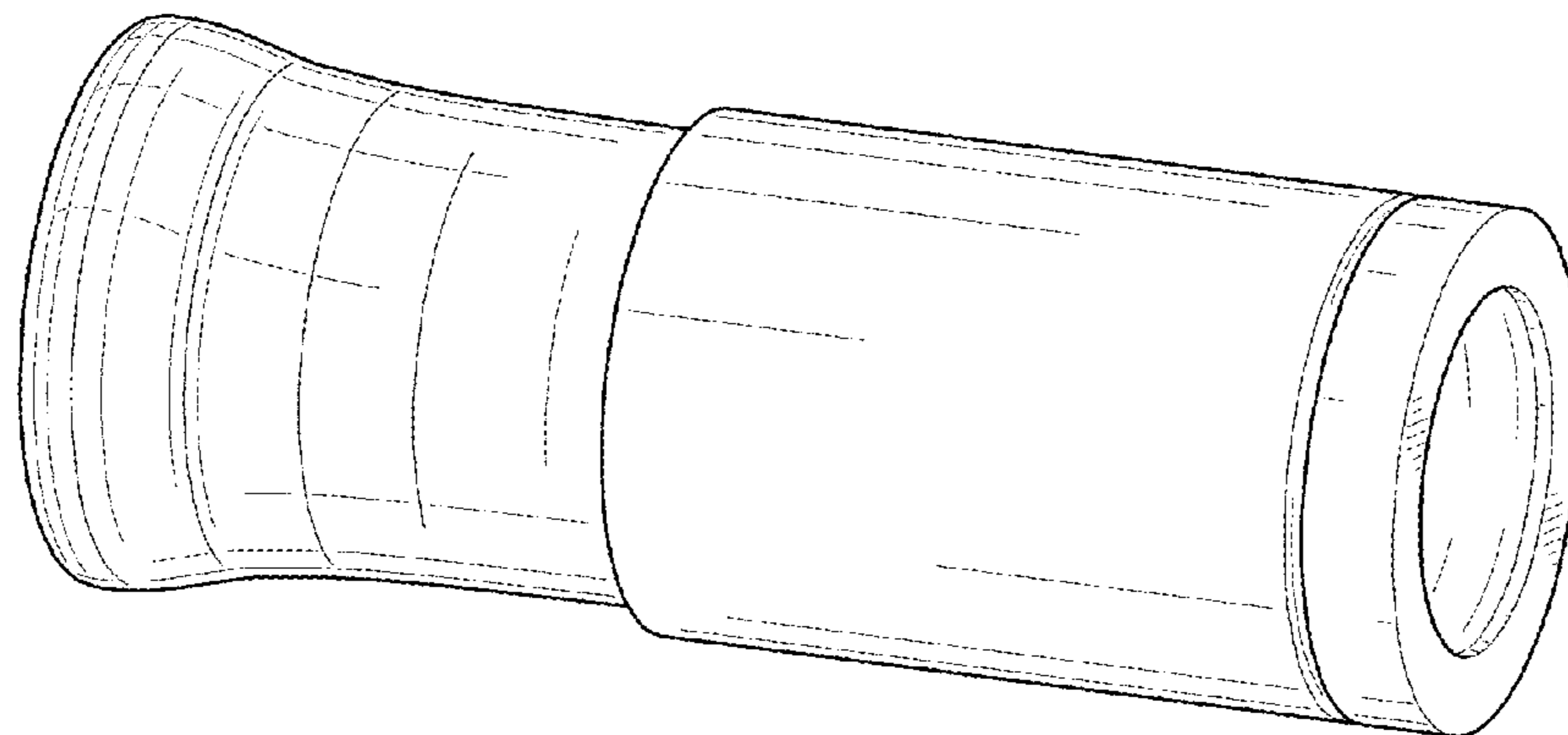
FIG. 5 is a left side elevational view of FIG. 1;

FIG. 6 is a top plan view of FIG. 1; and,

FIG. 7 is a bottom view of FIG. 1.

The broken lines in the drawings illustrate portions of the crimp collar with nylon insert combination and form no part of the claimed design.

**1 Claim, 4 Drawing Sheets**



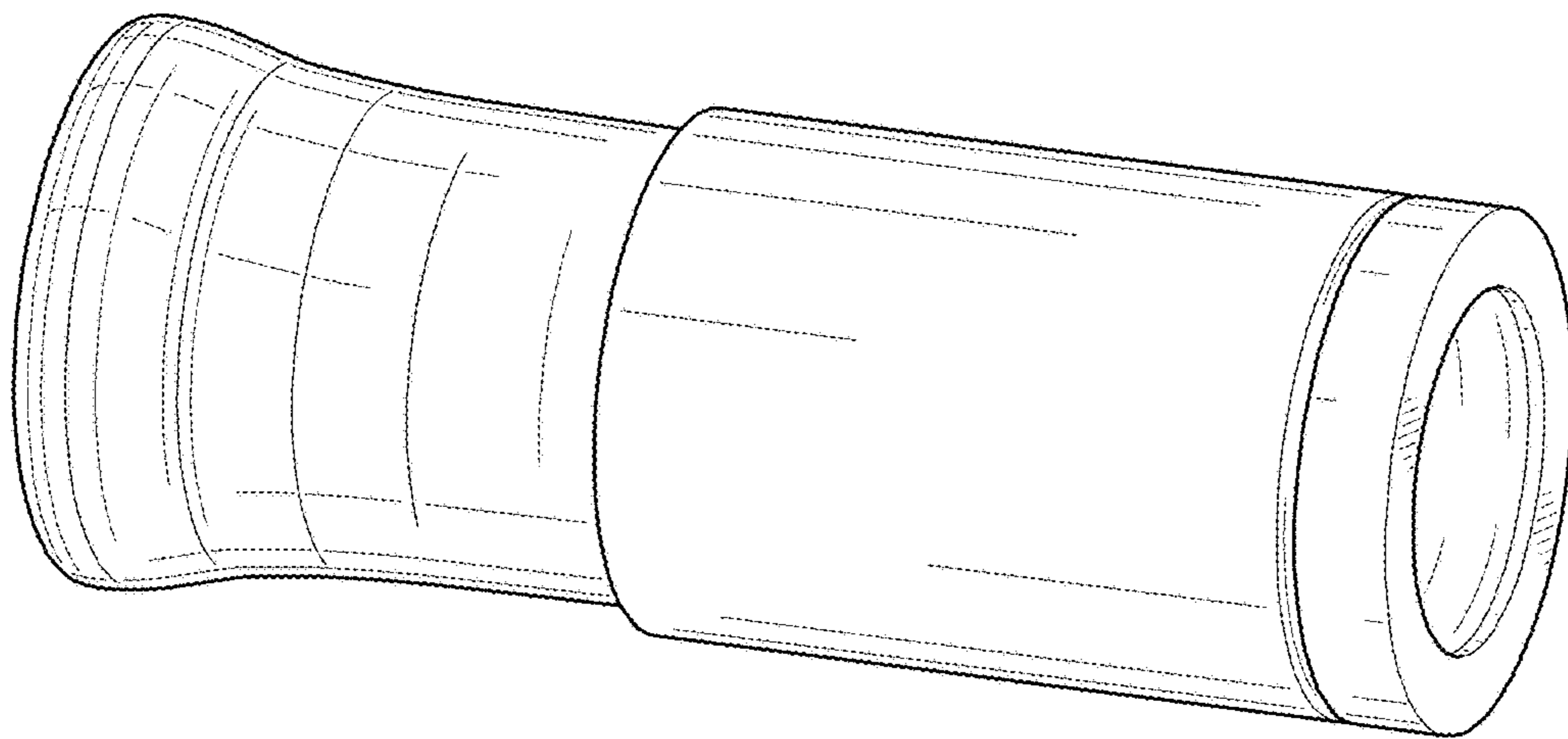


FIG. 1

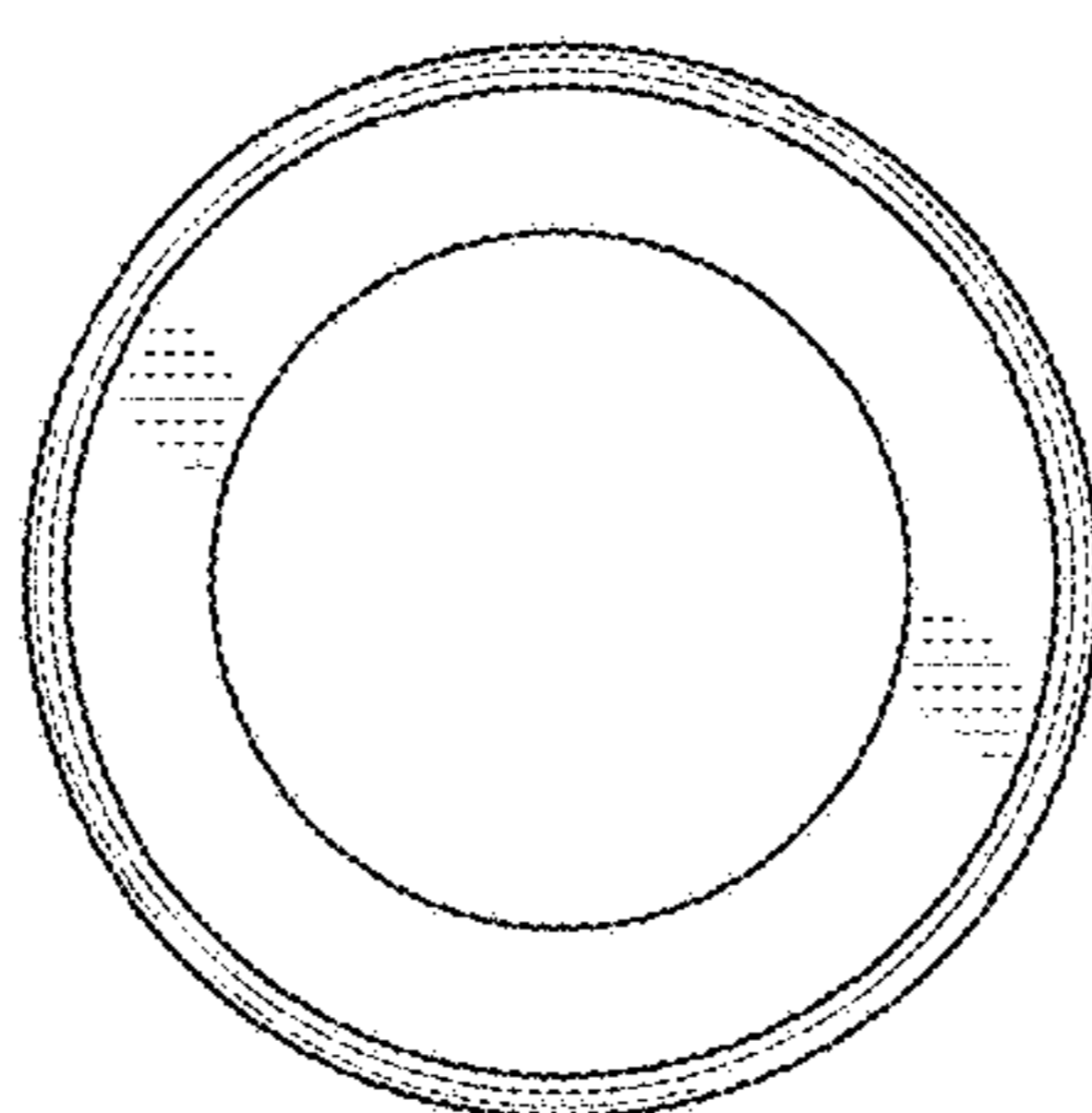


FIG. 2

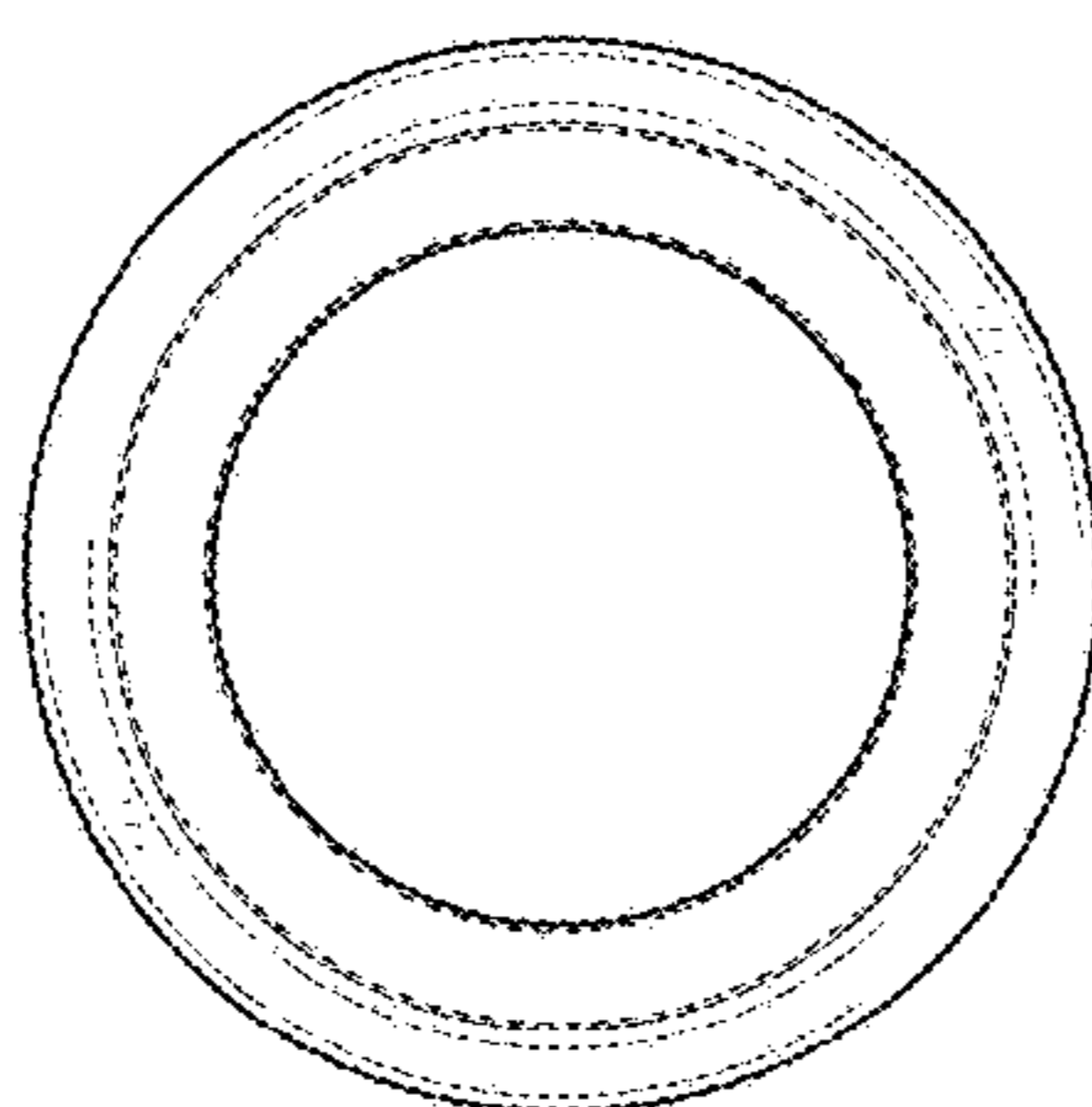


FIG. 3

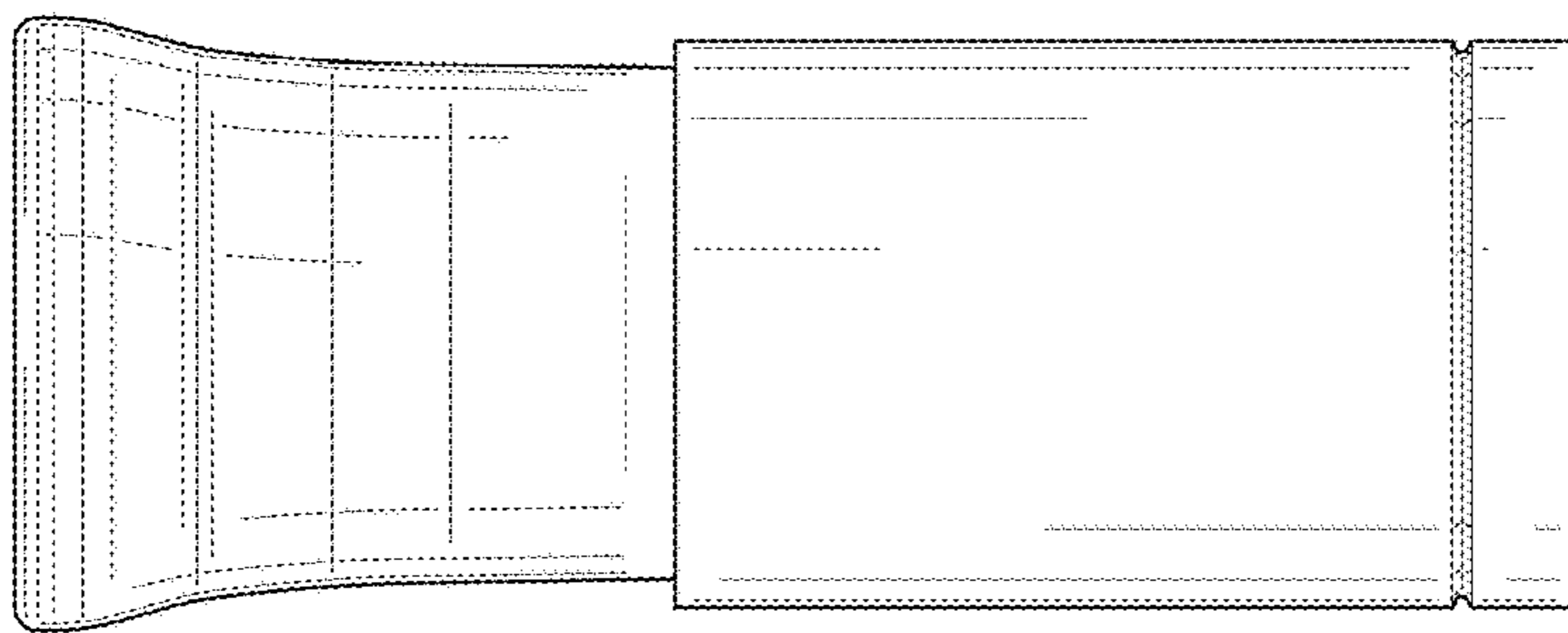


FIG. 4

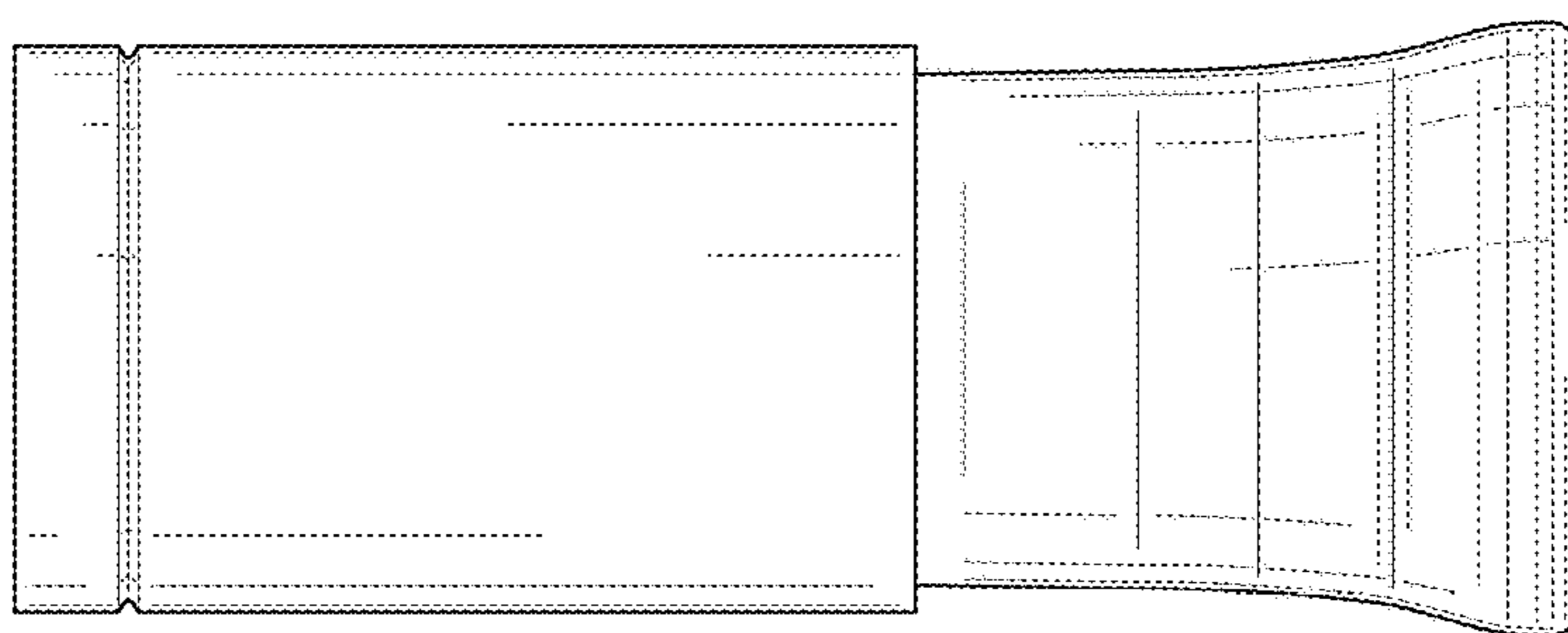


FIG. 5

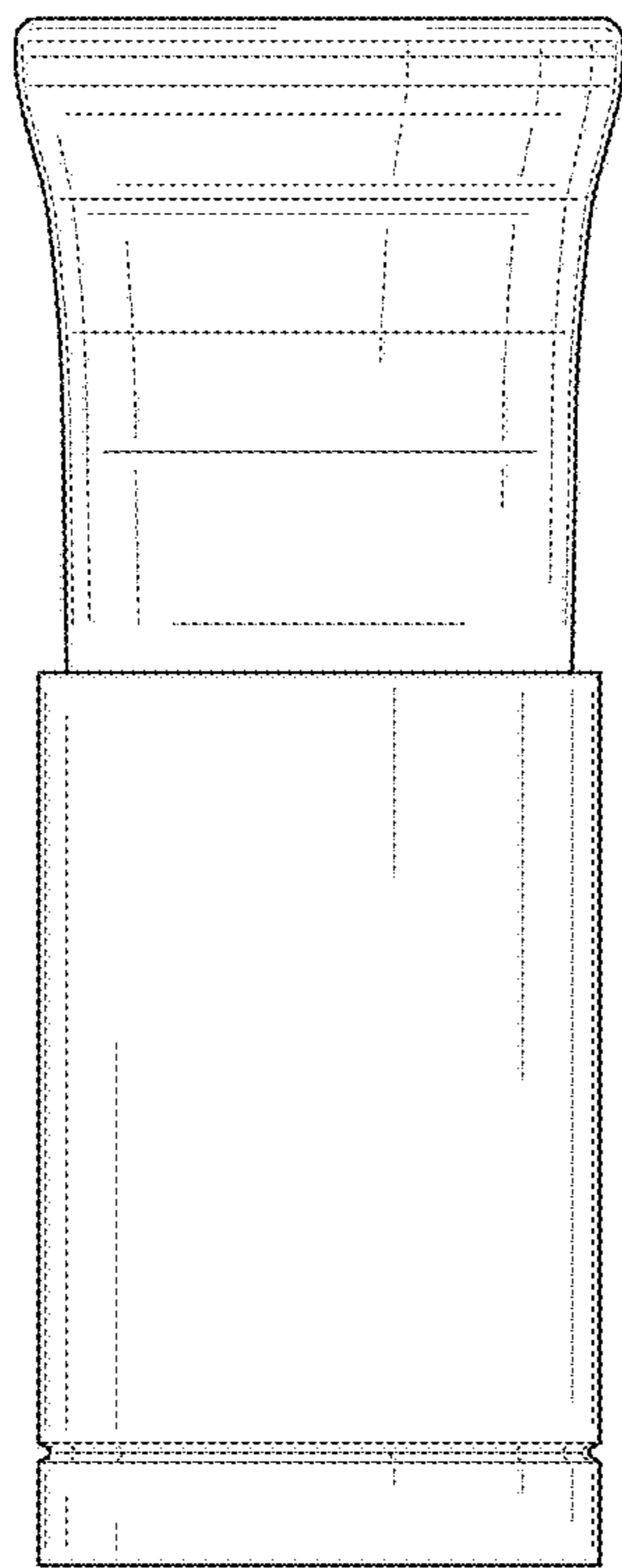


FIG. 6

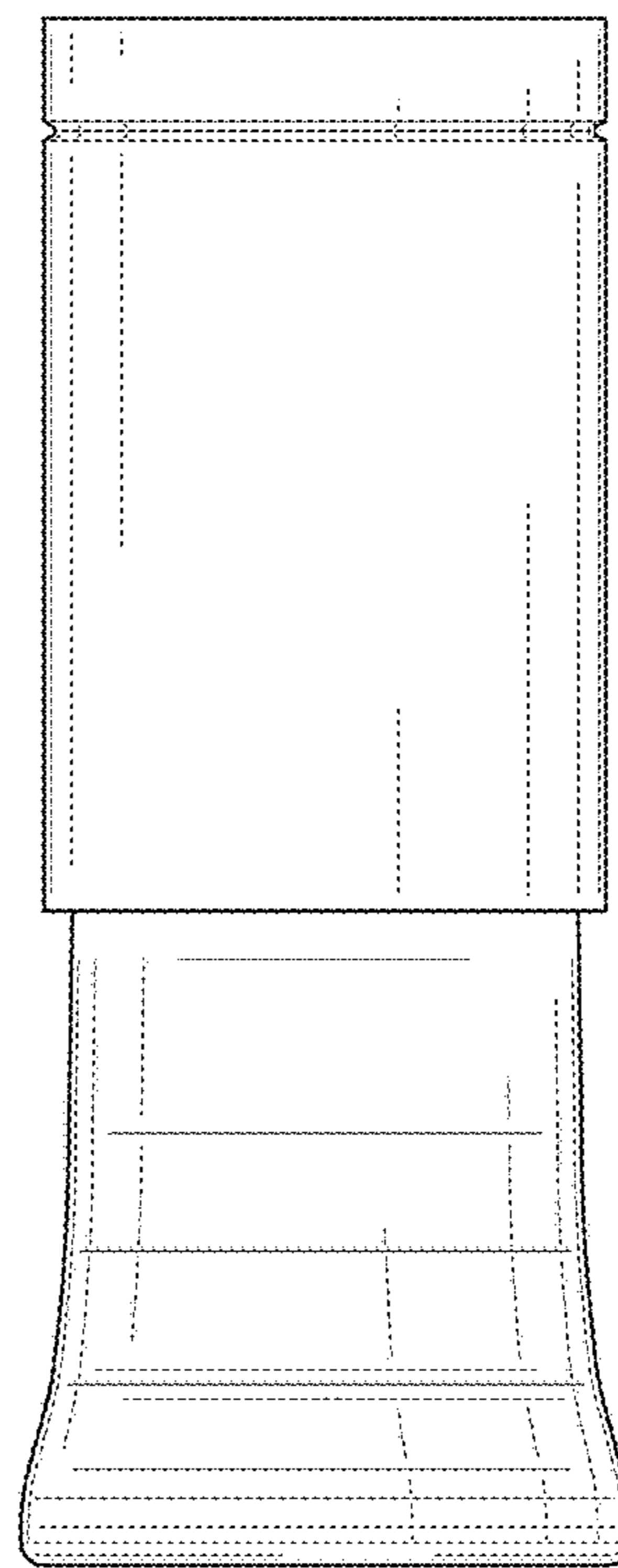


FIG. 7