



US00D854126S

(12) **United States Design Patent** (10) **Patent No.:** **US D854,126 S**  
**Ito et al.** (45) **Date of Patent:** **\*\* \*Jul. 16, 2019**

(54) **FILTER REGULATOR**

(71) Applicant: **SMC CORPORATION**, Tokyo (JP)

(72) Inventors: **Shinichi Ito**, Toride (JP); **Michihiro Hanada**, Tsukubamirai (JP)

(73) Assignee: **SMC CORPORATION**, Tokyo (JP)

(\*) Notice: This patent is subject to a terminal disclaimer.

(\*\*) Term: **15 Years**

(21) Appl. No.: **29/599,157**

(22) Filed: **Mar. 31, 2017**

(30) **Foreign Application Priority Data**

Oct. 11, 2016 (JP) ..... 2016-021994

(51) **LOC (11) Cl.** ..... **23-01**

(52) **U.S. Cl.**  
USPC ..... **D23/235**

(58) **Field of Classification Search**  
USPC ..... D23/209, 235, 341, 358, 363-365;  
D15/5; D10/83, 85, 96  
CPC ..... F02M 35/04; F02M 35/10; F02M 35/024;  
B01D 46/00; B01D 46/24; B01D 36/00;  
B01D 46/0002; B01D 46/10; F16K  
31/0655; F16K 3/265  
See application file for complete search history.

(56) **References Cited**

**U.S. PATENT DOCUMENTS**

D234,359 S \* 2/1975 Clair ..... D23/235  
D236,266 S \* 8/1975 Clair ..... D23/235  
D317,315 S \* 6/1991 Miyake ..... D15/150  
D317,644 S \* 6/1991 Ito ..... D15/150  
D318,713 S \* 7/1991 Miyake ..... D23/209

D331,961 S \* 12/1992 Ridolfi ..... D23/365  
D402,023 S \* 12/1998 Thallemer ..... D23/365  
D659,816 S 5/2012 Ito et al.  
D662,196 S 6/2012 Ito et al.  
D662,197 S 6/2012 Ito et al.  
9,314,726 B2 \* 4/2016 Yamase ..... B01D 46/2414  
2003/0006097 A1 \* 1/2003 Tomita ..... F16N 7/30  
184/55.1  
2013/0139481 A1 \* 6/2013 Sakai ..... B04C 5/04  
55/396  
2014/0083299 A1 \* 3/2014 Yamase ..... B01D 46/0005  
96/416

**FOREIGN PATENT DOCUMENTS**

JP D899938 S 5/1994  
JP D1434472 S 2/2012  
JP D1434794 S 2/2012  
JP D1434796 S 2/2012

\* cited by examiner

*Primary Examiner* — Lakiya G Rogers

*Assistant Examiner* — John A Voytek

(74) *Attorney, Agent, or Firm* — Birch, Stewart, Kolasch & Birch, LLP

(57) **CLAIM**

The ornamental design for a filter regulator, as shown.

**DESCRIPTION**

FIG. 1 is a front, top and left side perspective view of a filter regulator showing our new design;

FIG. 2 is a rear, bottom and right side perspective view thereof;

FIG. 3 is a front view thereof;

FIG. 4 is a rear view thereof;

FIG. 5 is a top plan view thereof;

FIG. 6 is a bottom plan view thereof;

FIG. 7 is a left side view thereof; and,

FIG. 8 is a right side view thereof.

**1 Claim, 8 Drawing Sheets**

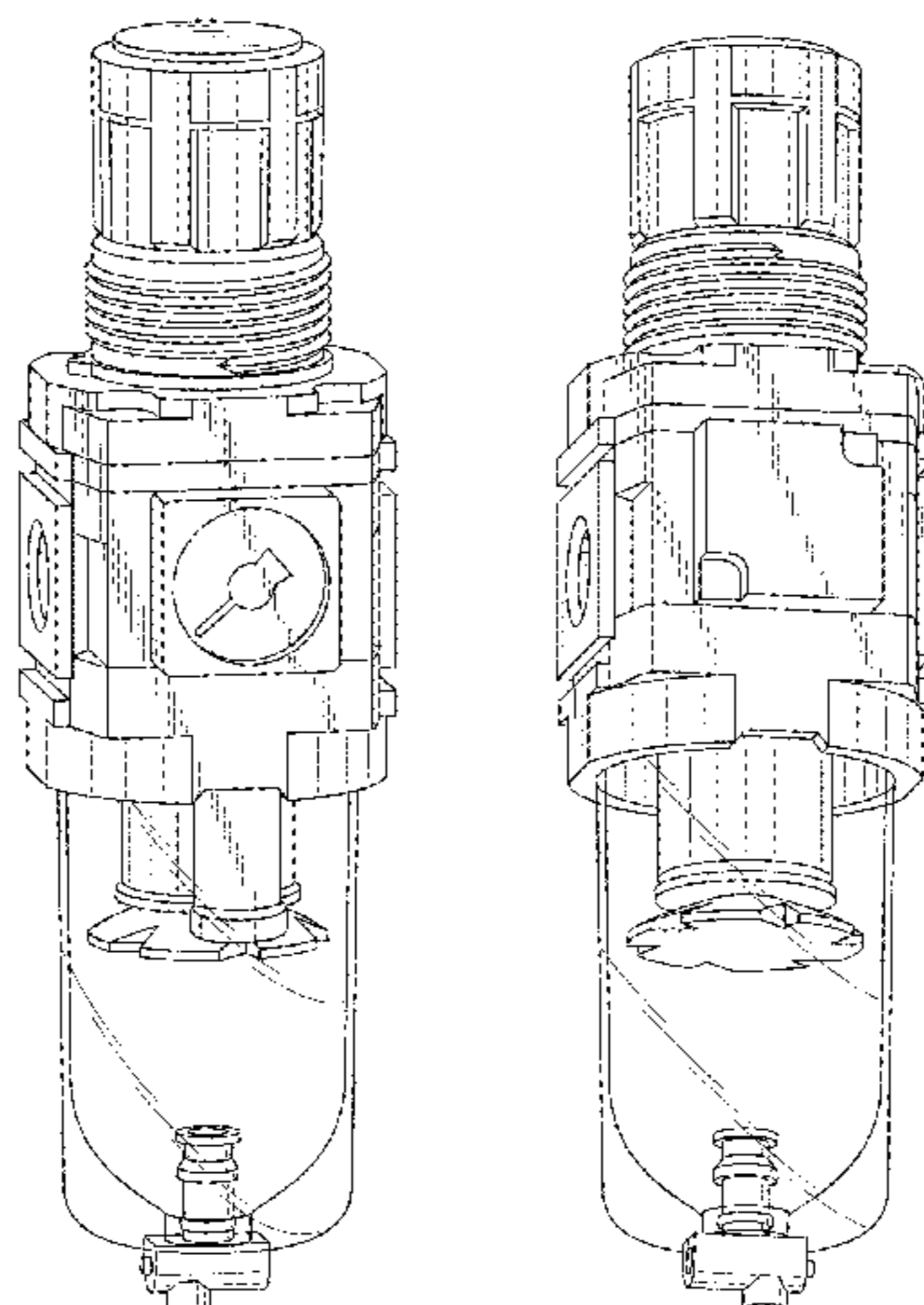


FIG. 1

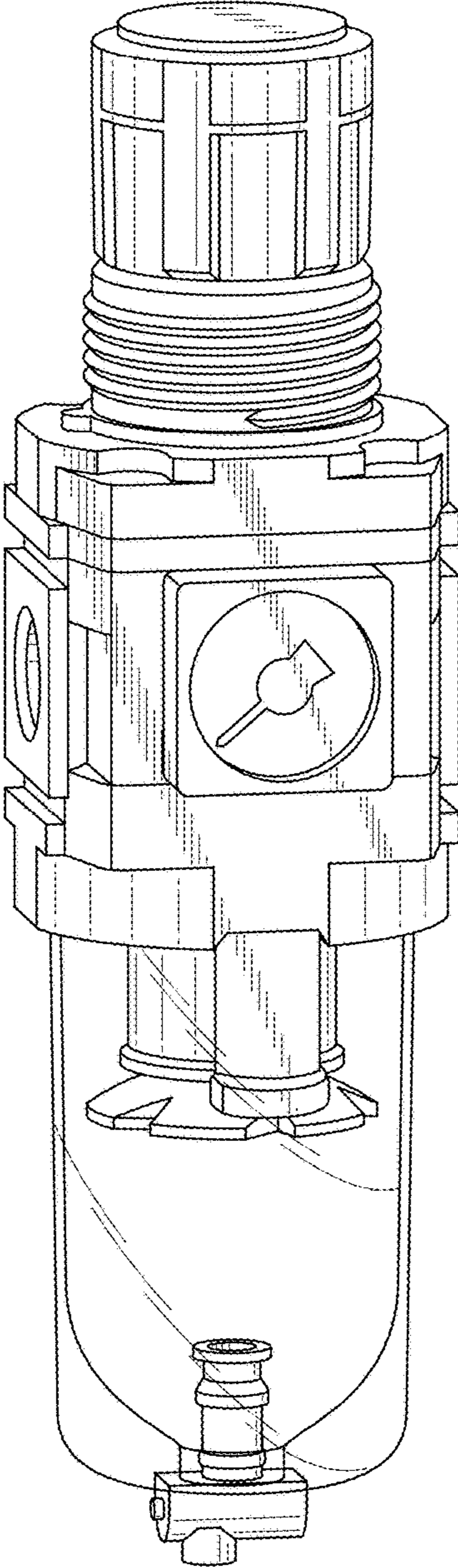


FIG. 2

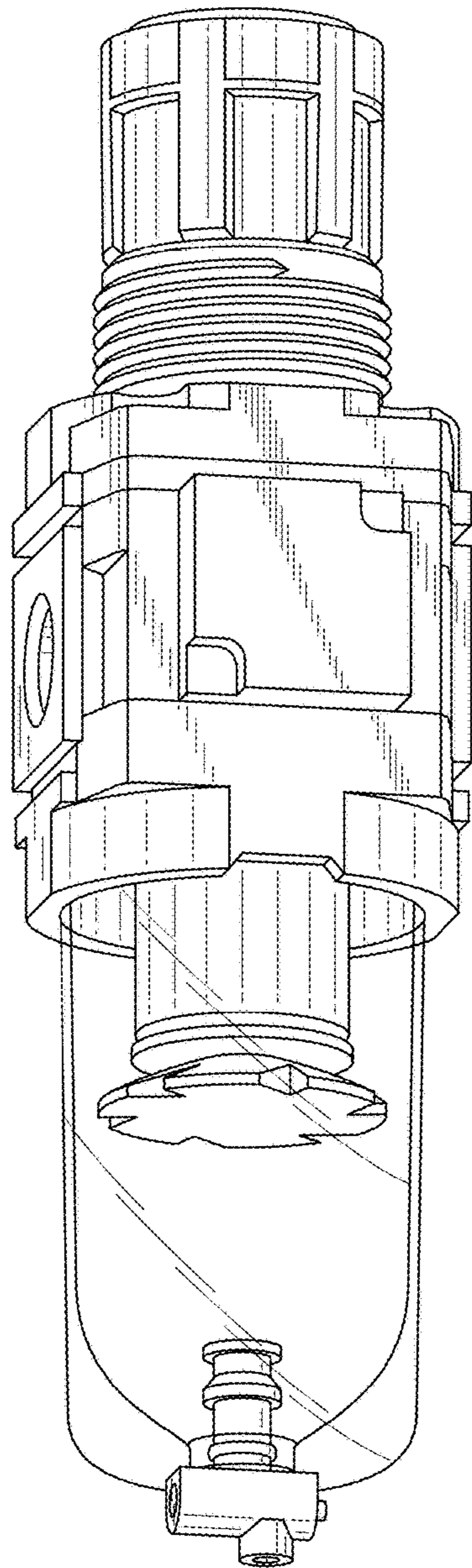


FIG. 3

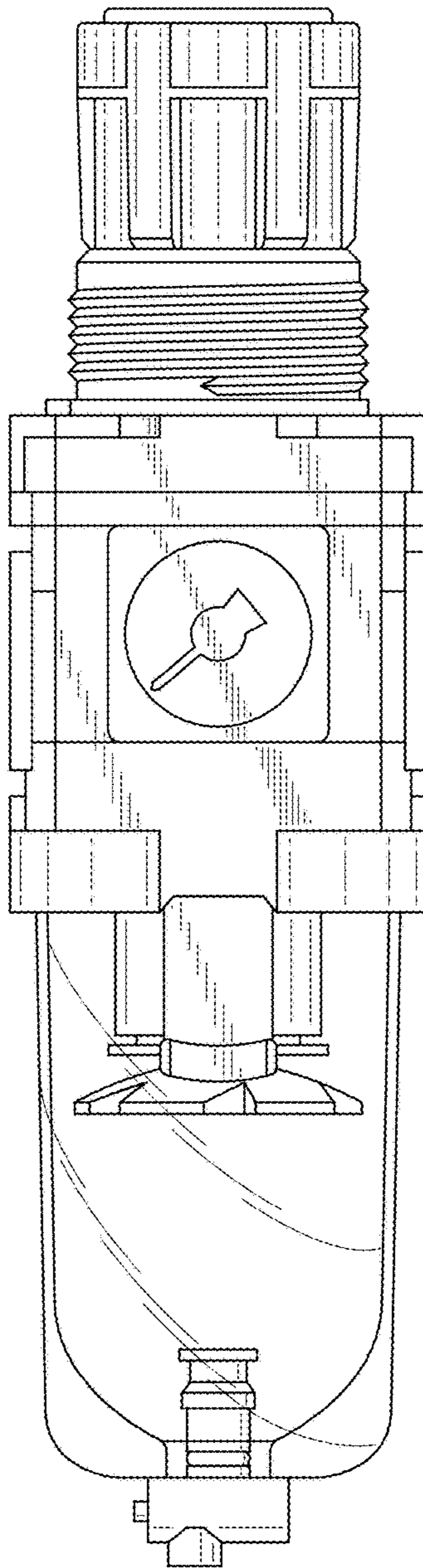


FIG. 4

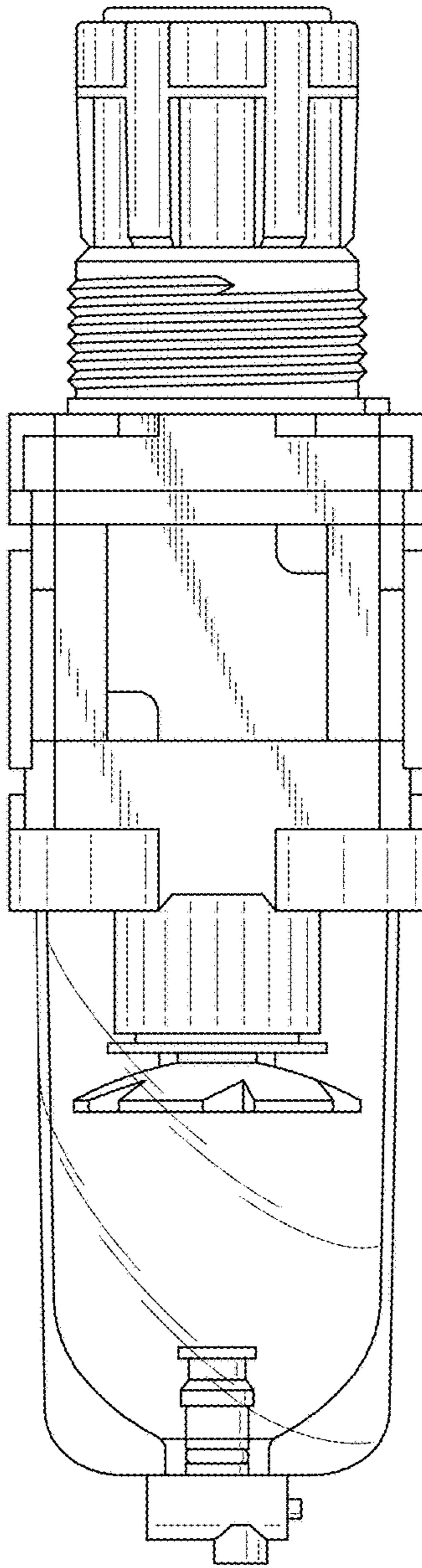


FIG. 5

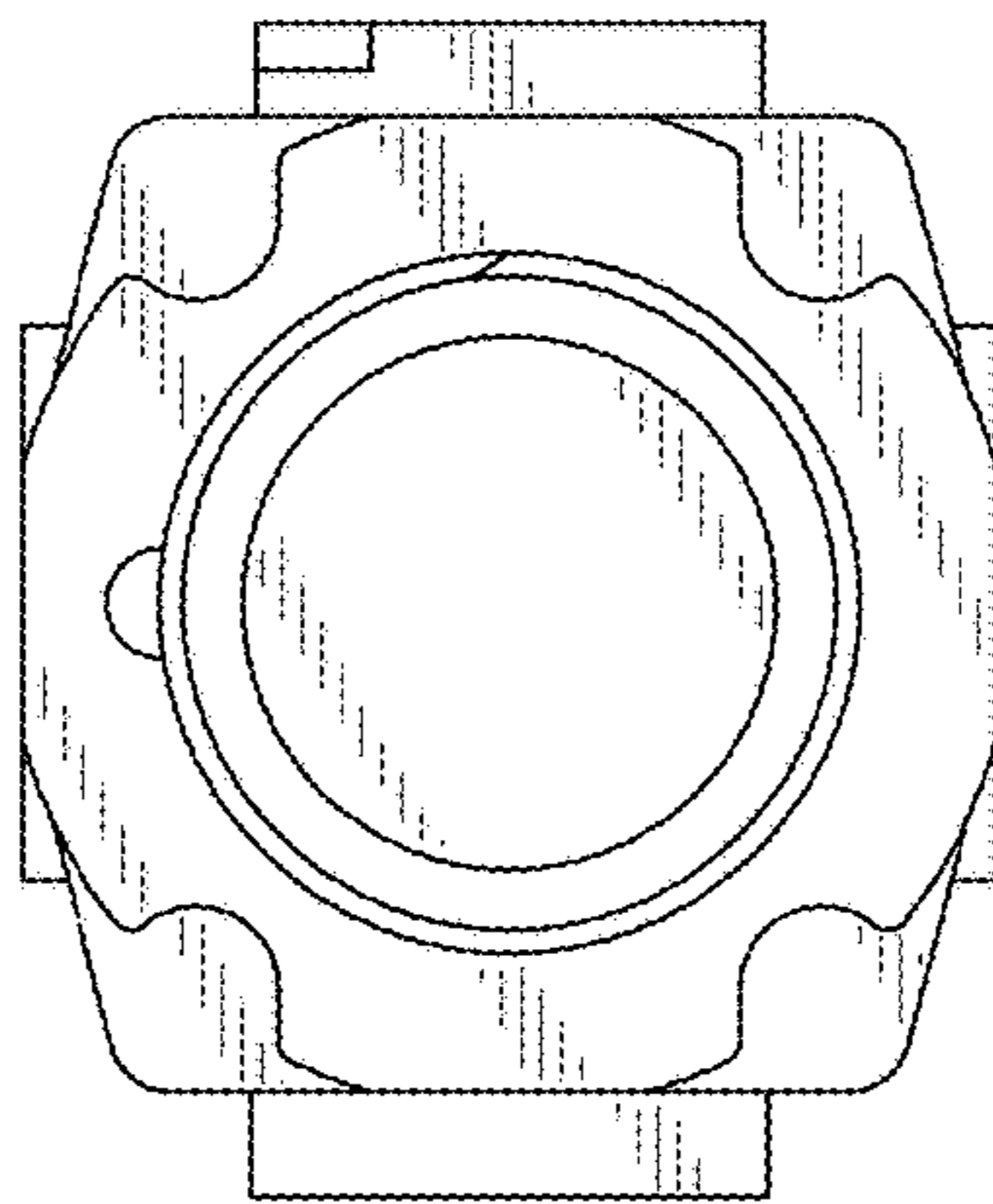


FIG. 6

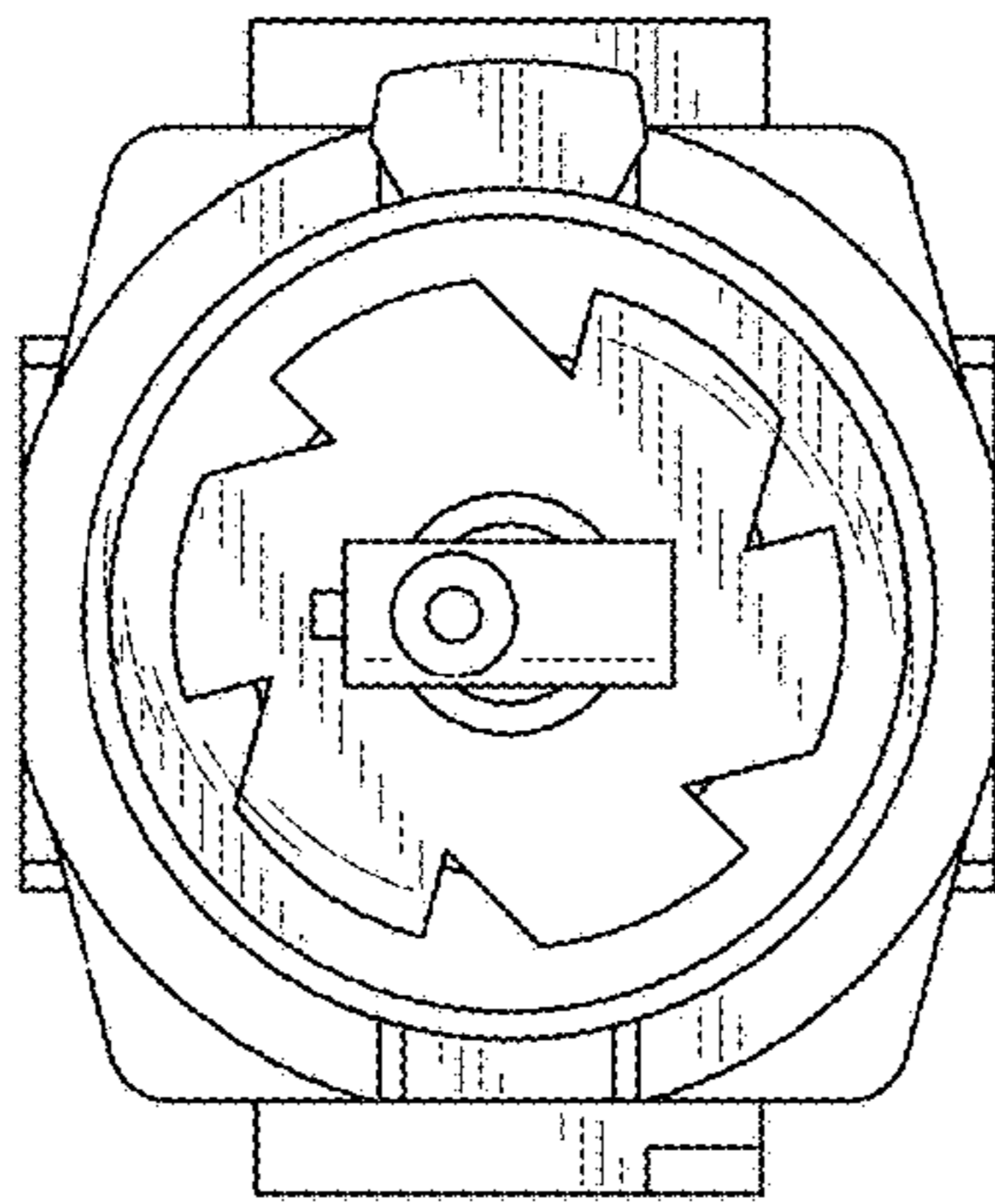


FIG. 7

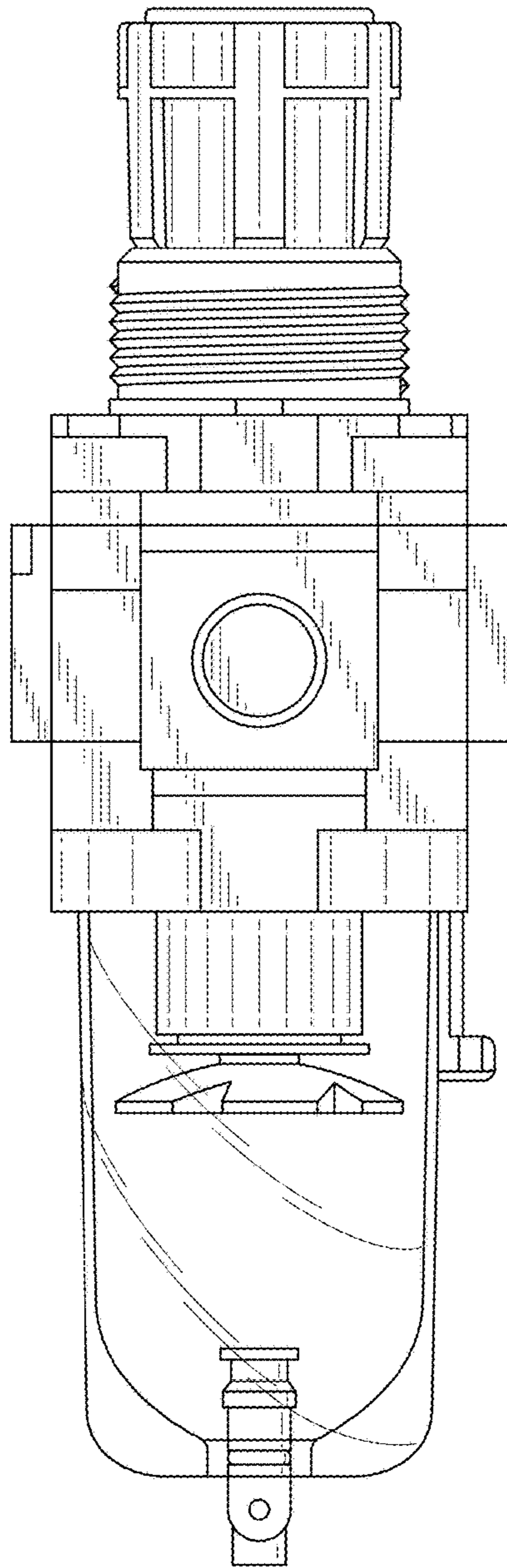




FIG. 8

