

US00D854125S

(12) **United States Design Patent** (10) **Patent No.:** **US D854,125 S**
Childress et al. (45) **Date of Patent:** **** Jul. 16, 2019**

(54) **MODULAR HYDRANT**
(71) Applicant: **Mueller International, LLC**, Atlanta, GA (US)
(72) Inventors: **Justin Blaine Childress**, Albertville, AL (US); **Christopher Joseph Duckett**, Albertville, AL (US); **Alan Channell**, Albertville, AL (US); **Ajay K. Roy**, Oxford, AL (US)

D314,227 S * 1/1991 Christ D23/215
5,609,179 A 3/1997 Knapp
6,733,045 B2 * 5/2004 Harrington F16L 37/252
285/143.1
6,929,022 B1 8/2005 Ingalls et al.
7,559,338 B2 * 7/2009 Scobie E03B 9/06
137/527
7,775,231 B2 8/2010 Davidson, Sr. et al.
7,797,972 B2 * 9/2010 Nickeas E05B 67/36
137/382

(Continued)

(73) Assignee: **Mueller International, LLC**, Atlanta, GA (US)

(**) Term: **15 Years**

(21) Appl. No.: **29/656,521**

(22) Filed: **Jul. 13, 2018**

(51) **LOC (11) Cl.** **23-01**

(52) **U.S. Cl.**
USPC **D23/234**

(58) **Field of Classification Search**
USPC D23/234, 215; 137/272, 274, 283, 527, 137/527.2, 527.4, 527.6, 527.8; D21/840, D21/483; 251/142, 144-148, 251/149.1-149.9
CPC . E03B 9/02; E03B 9/04; F16K 27/006; A62C 35/20

See application file for complete search history.

(56) **References Cited**

U.S. PATENT DOCUMENTS

1,883,467 A 10/1932 Banks
2,282,641 A 5/1942 Corey
D190,986 S * 7/1961 Watkins D23/234
3,586,019 A 6/1971 Thomas et al.
3,899,196 A 8/1975 Dashner
3,961,642 A 6/1976 Thomas et al.
4,402,531 A 9/1983 Kennedy, Jr.
D282,109 S * 1/1986 Golden D23/234
D307,402 S * 4/1990 Rouse, Jr. D23/215

OTHER PUBLICATIONS

American AVK Company; Brochure entitled: "AVK Dry Barrel Hydrants", located at <http://www.americanavk.com/files/DBFH_Ind_Pg-2018.pdf>, publicly available prior to Jun. 16, 2017, 6 pgs.

(Continued)

Primary Examiner — Cynthia Ramirez

Assistant Examiner — Gino Colan

(74) *Attorney, Agent, or Firm* — Taylor English Duma LLP

(57) **CLAIM**

We claim the ornamental design for a modular hydrant, as shown and described.

DESCRIPTION

FIG. 1 is a perspective view of a modular hydrant showing our new design.

FIG. 2 is a front elevation view thereof.

FIG. 3 is a rear elevation view thereof.

FIG. 4 is a right-side elevation view thereof.

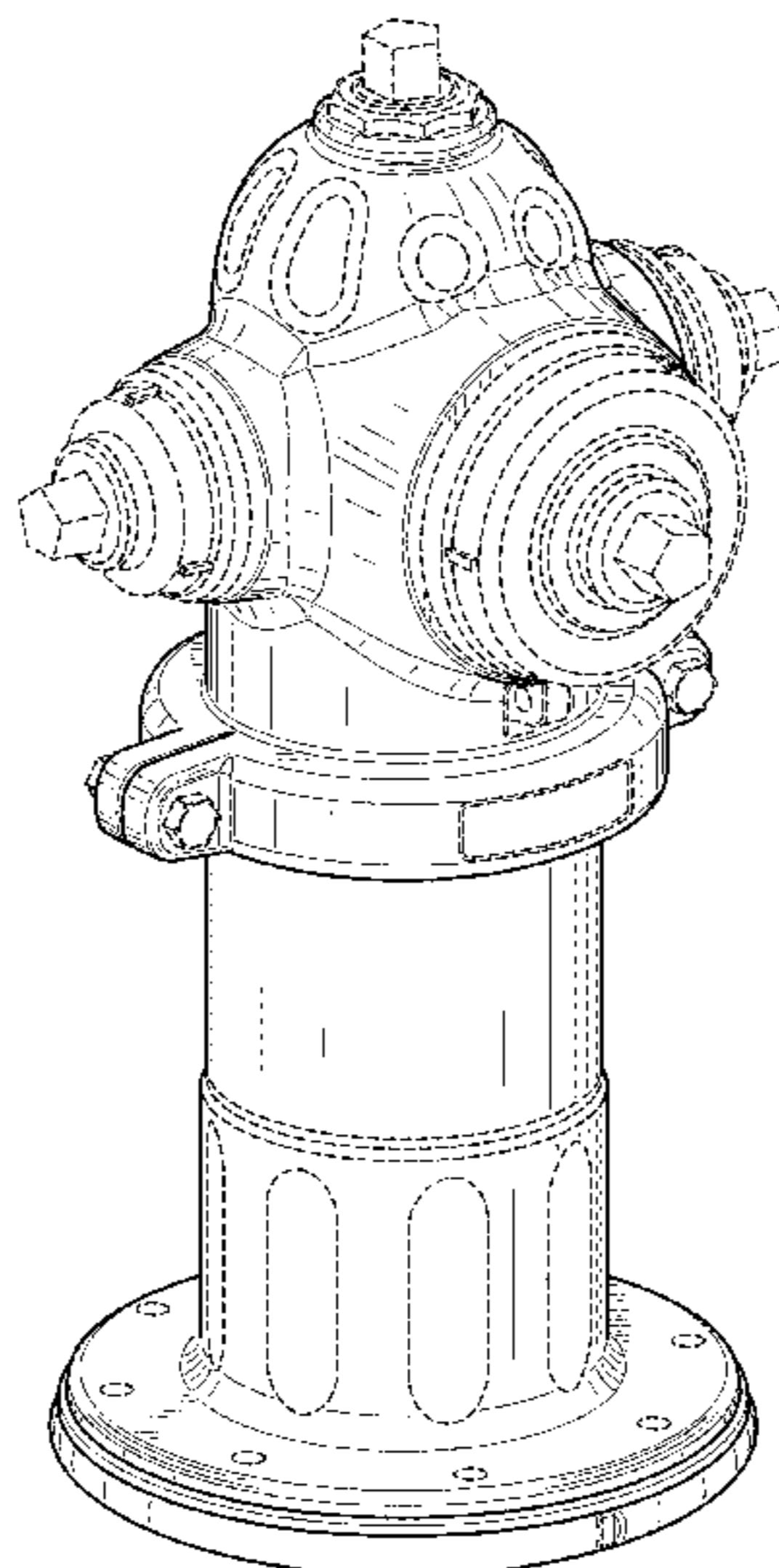
FIG. 5 is a left-side elevation view thereof.

FIG. 6 is a top plan view thereof; and,

FIG. 7 is a bottom plan view thereof.

The broken lines shown in the figures are for the purpose of illustrating portions of the modular hydrant and form no part of the claimed design.

1 Claim, 7 Drawing Sheets



(56)

References Cited

U.S. PATENT DOCUMENTS

D631,134 S * 1/2011 German D23/234
8,302,623 B1 * 11/2012 Nichols F16K 15/03
137/283
8,443,834 B2 * 5/2013 Williams F16K 15/033
137/527
8,991,415 B1 3/2015 Luppino
D734,585 S * 7/2015 Brennan D34/4
D844,115 S * 3/2019 Burton D23/256
2016/0265197 A1 9/2016 Kitchen et al.

OTHER PUBLICATIONS

American Cast Iron Pipe Company; Brochure entitled: "5¼ Waterous Pacer®", located at <<http://www.american-usa.com/products/valves-and-hydrants/fire-hydrants/5-1-4-waterous-pacer>>, publicly available prior to Jun. 16, 2017, 6 pgs.

American Cast Iron Pipe Company; Brochure entitled: "5¼ Waterous® Classic Pacer®", located at <<http://www.american-usa.com/products/valves-and-hydrants/fire-hydrants/5-1-4-waterous-classic-pacer>>, publicly available prior to Jun. 16, 2017, 1 pg.

Clow Valve Co.; Brochure entitled: "Introducing The Admiral", publicly available prior to Jun. 16, 2017, 2 pgs.

EJ Group, Inc; Brochure entitled: "Water Distribution Solutions", located at <<https://www.ejco.com/am/en/industry-solutions/waterManagementAndDistribution>>, publicly available prior to Jun. 16, 2017, 24 pgs.

Kennedy Valve; Brochure entitled: "Guardian K81-DD Fire Hydrant. 350 PSI Working Pressure", located at <<http://www.kennedyvalve.com/upl/downloads/catalog/products/product-brochure-k81-dd-e1d9ee1a.pdf>>, publicly available prior to Jun. 16, 2017, 8 pgs.

* cited by examiner

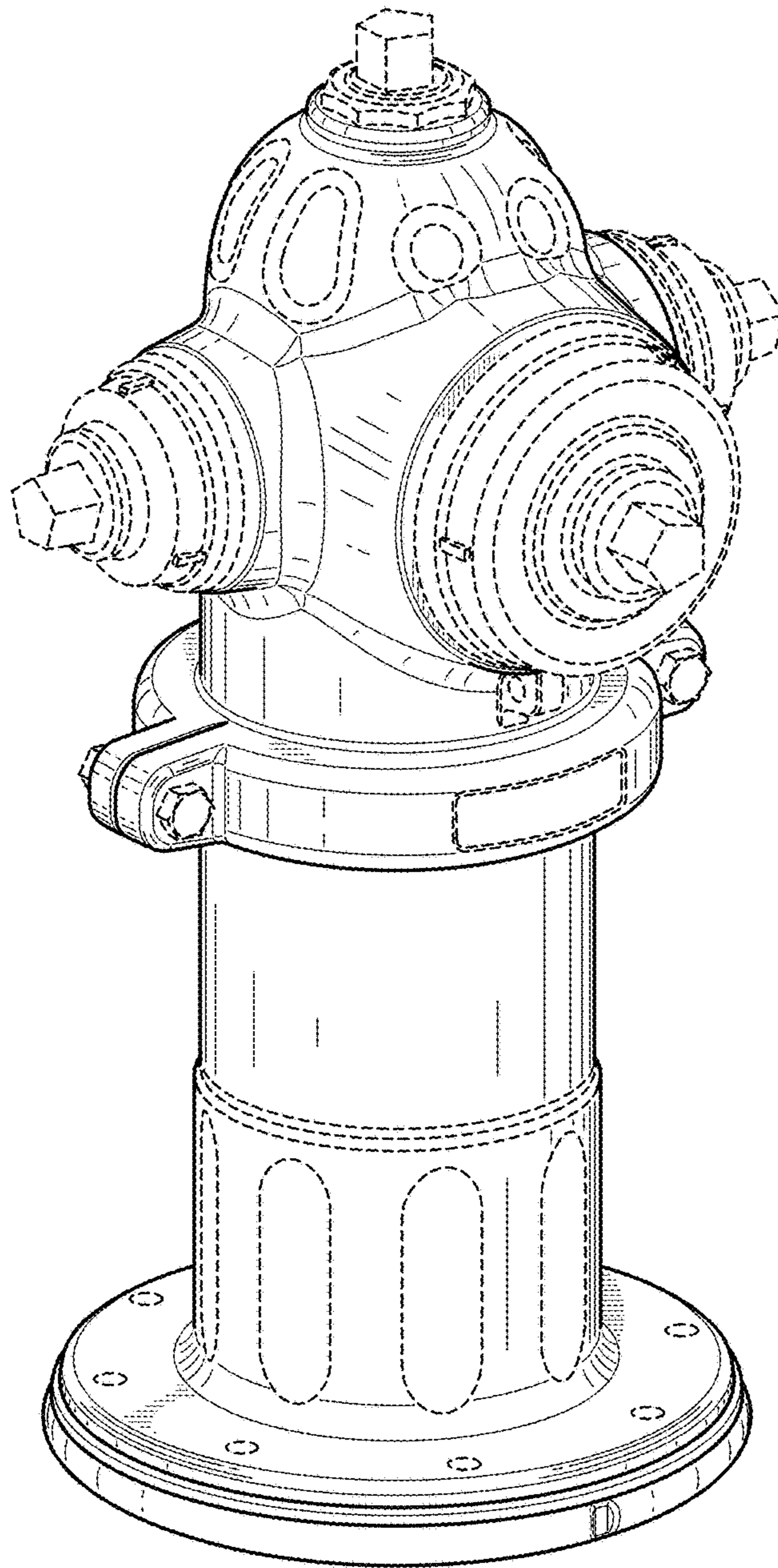


FIG. 1

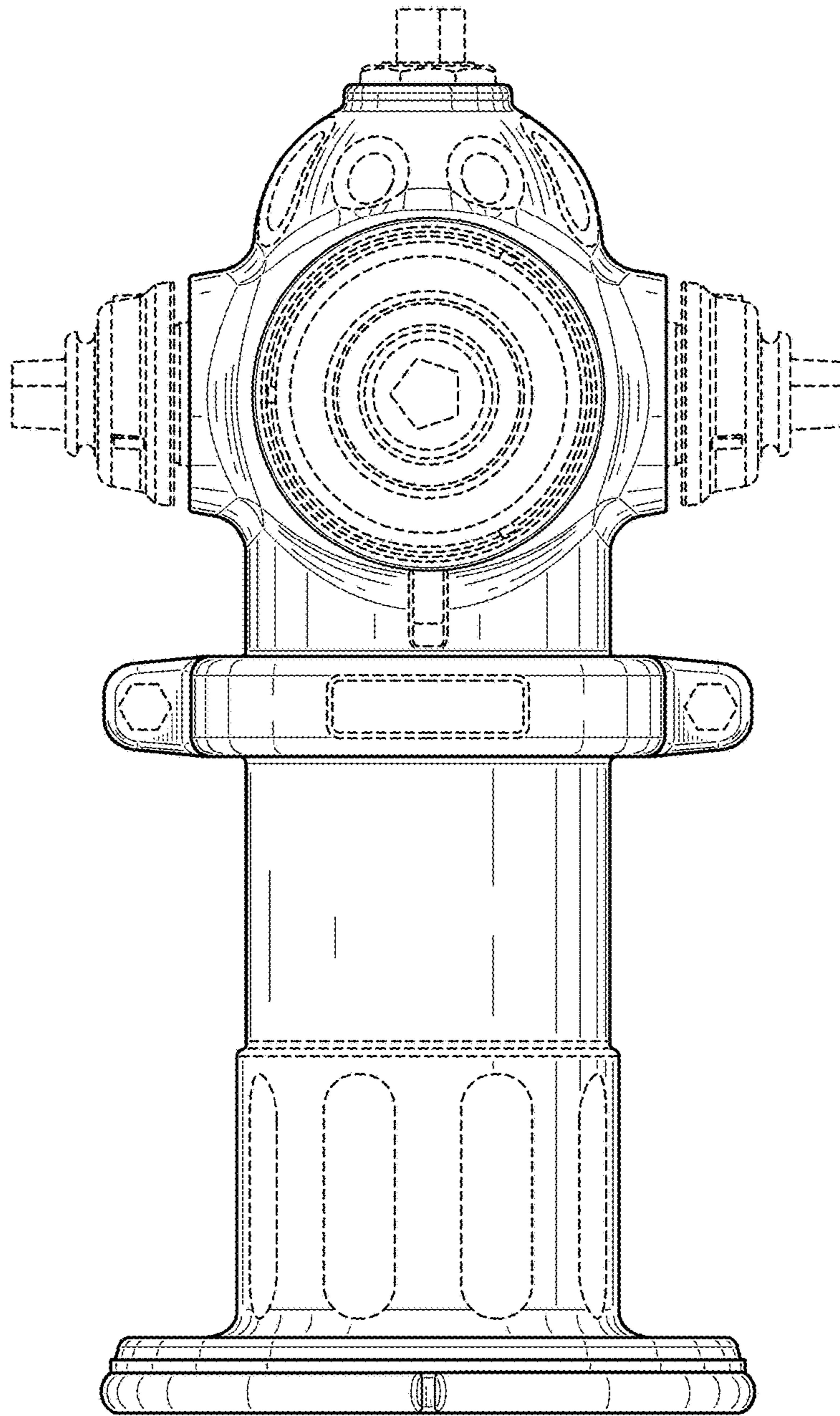


FIG. 2

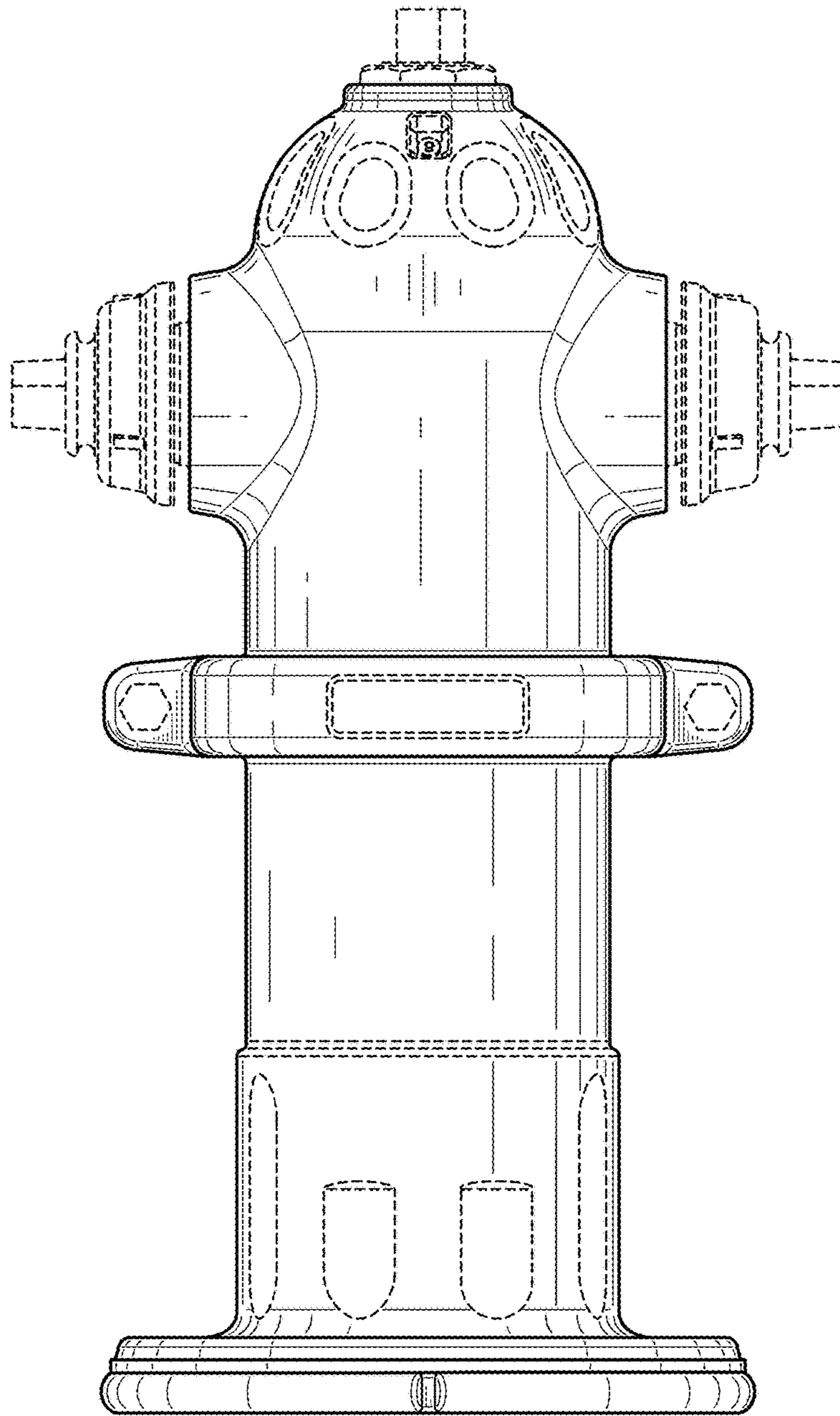


FIG. 3

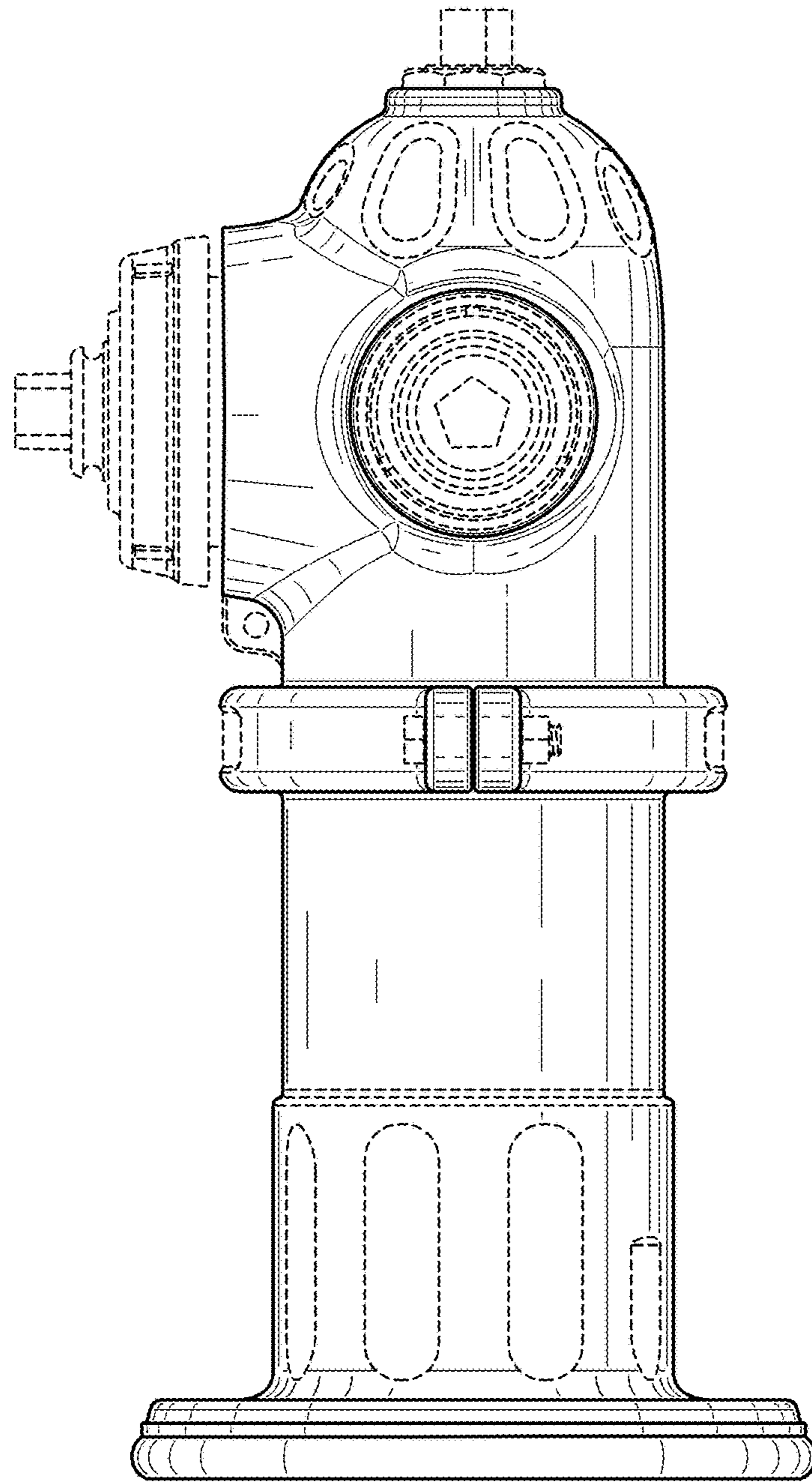


FIG. 4

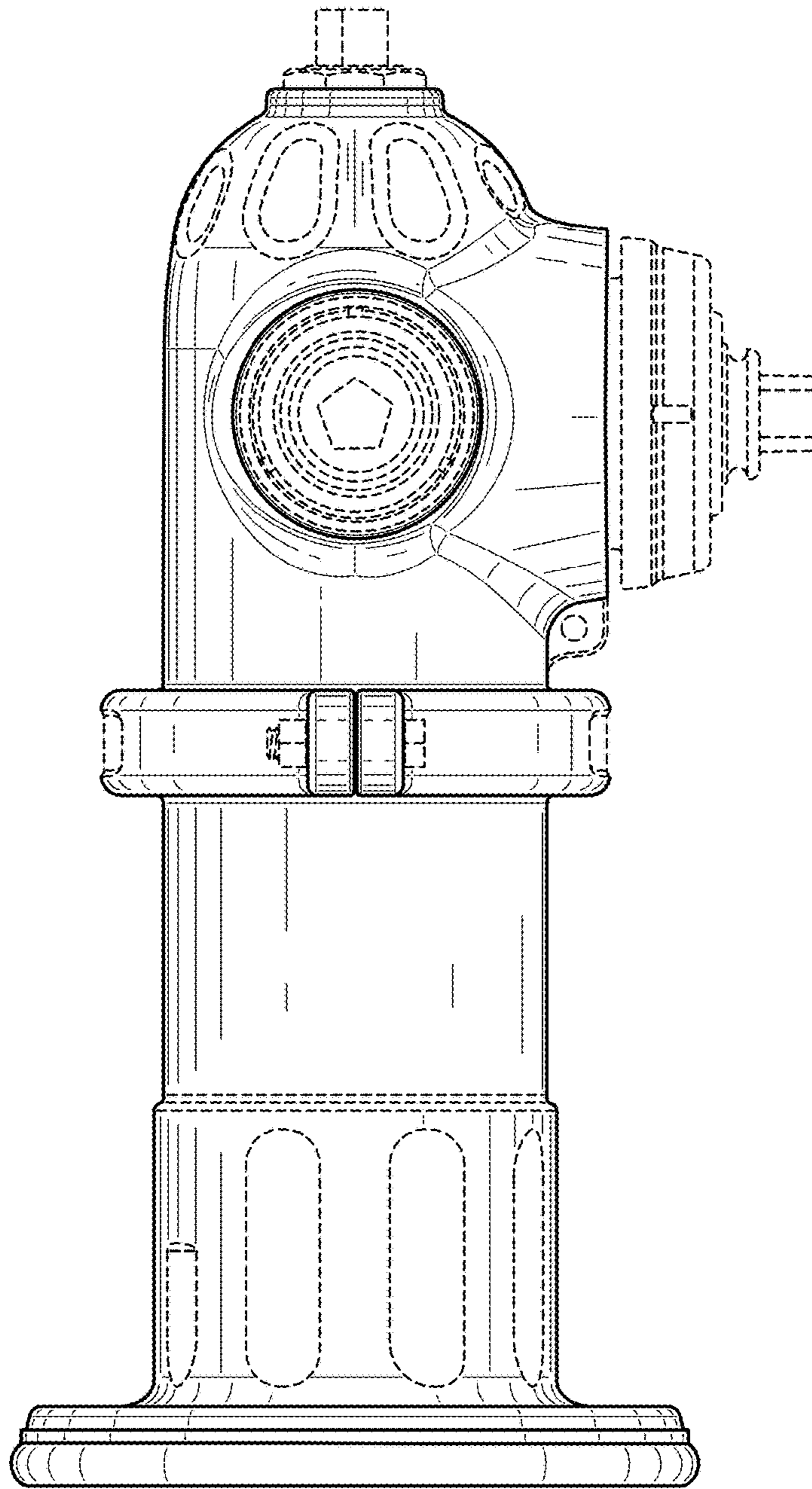


FIG. 5

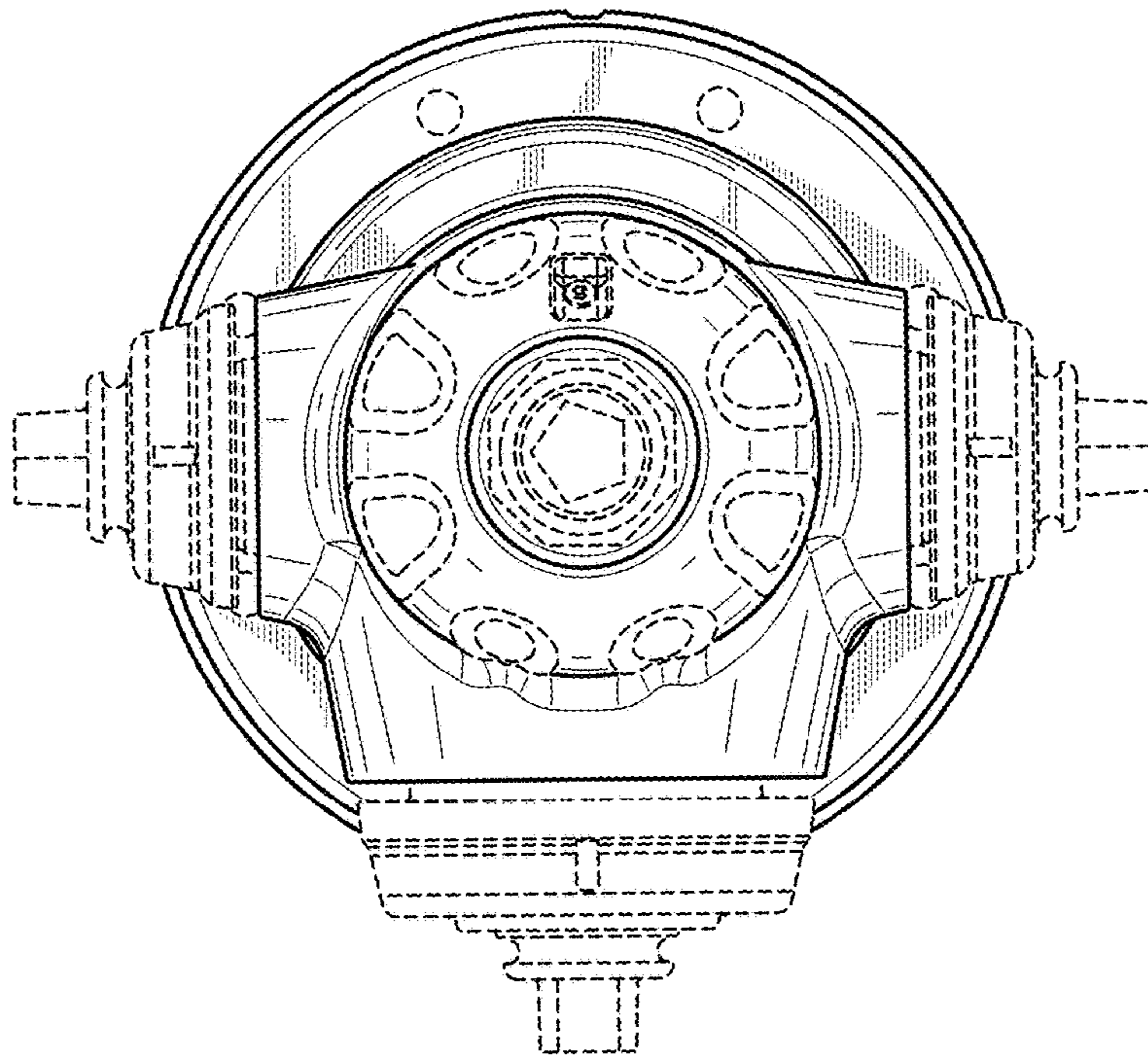


FIG. 6

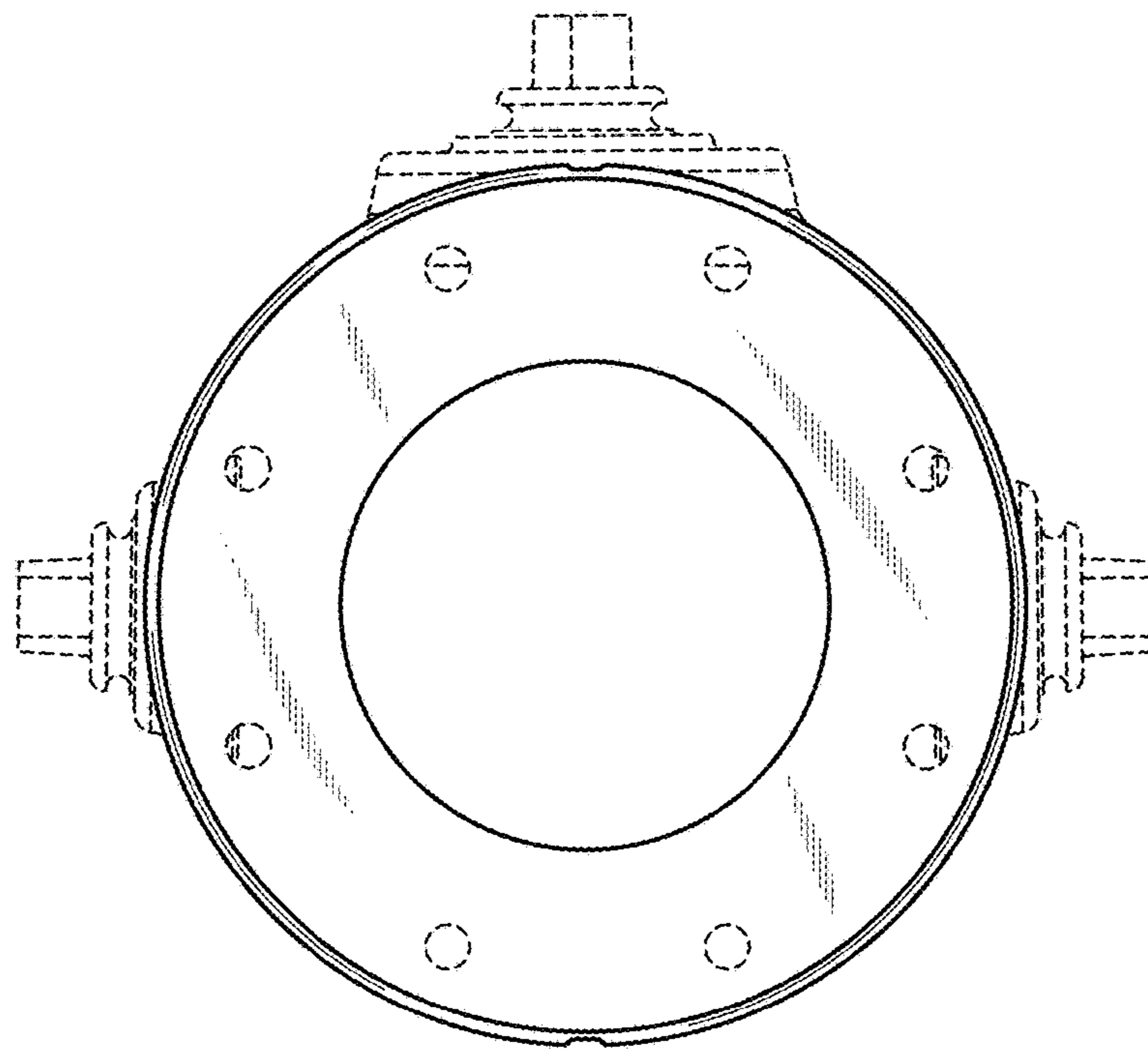


FIG. 7