

US00D854124S

(12) **United States Design Patent**
Mangold et al.

(10) **Patent No.:** **US D854,124 S**

(45) **Date of Patent:** **** Jul. 16, 2019**

(54) **VALVE ACTUATOR**
(71) Applicant: **FESTO AG & Co. KG**, Esslingen (DE)
(72) Inventors: **Simone Mangold**, Esslingen (DE);
Matthias Wunderling, Esslingen (DE)

D754,292 S * 4/2016 Mangold D23/233
D754,293 S 4/2016 Mangold
D758,540 S * 6/2016 Shishido D23/233
D760,352 S * 6/2016 Mangold D23/233
D760,353 S * 6/2016 Mangold D23/233
D778,179 S * 2/2017 Mangold D10/49
D778,180 S * 2/2017 Mangold D10/49

(73) Assignee: **FESTO AG & Co. KG**, Esslingen (DE)

(**) Term: **15 Years**

(21) Appl. No.: **29/631,703**

(22) Filed: **Jan. 2, 2018**

(30) **Foreign Application Priority Data**

Jul. 11, 2017 (WO) 4042901

(51) **LOC (11) Cl.** **23-01**

(52) **U.S. Cl.**
USPC **D23/233**

(58) **Field of Classification Search**
USPC D23/233-237, 241-249; 251/129.12,
251/129.02, 129.03, 291, 292, 128,
251/129.11, 304, 129.13, 111, 93, 101,
251/97; 137/487.5, 12, 14, 554, 556,
137/553; D10/49; D15/143
CPC F16K 31/02; F16K 31/025
See application file for complete search history.

(56) **References Cited**

U.S. PATENT DOCUMENTS

D701,943 S 4/2014 Gaertner
D754,291 S 4/2016 Mangold

OTHER PUBLICATIONS

“System 8802 Continuous Classic” Product Information of Christian Burkert GmbH & Co, KG.

* cited by examiner

Primary Examiner — Cynthia Ramirez

Assistant Examiner — Gino Colan

(74) *Attorney, Agent, or Firm* — Hoffmann & Baron, LLP

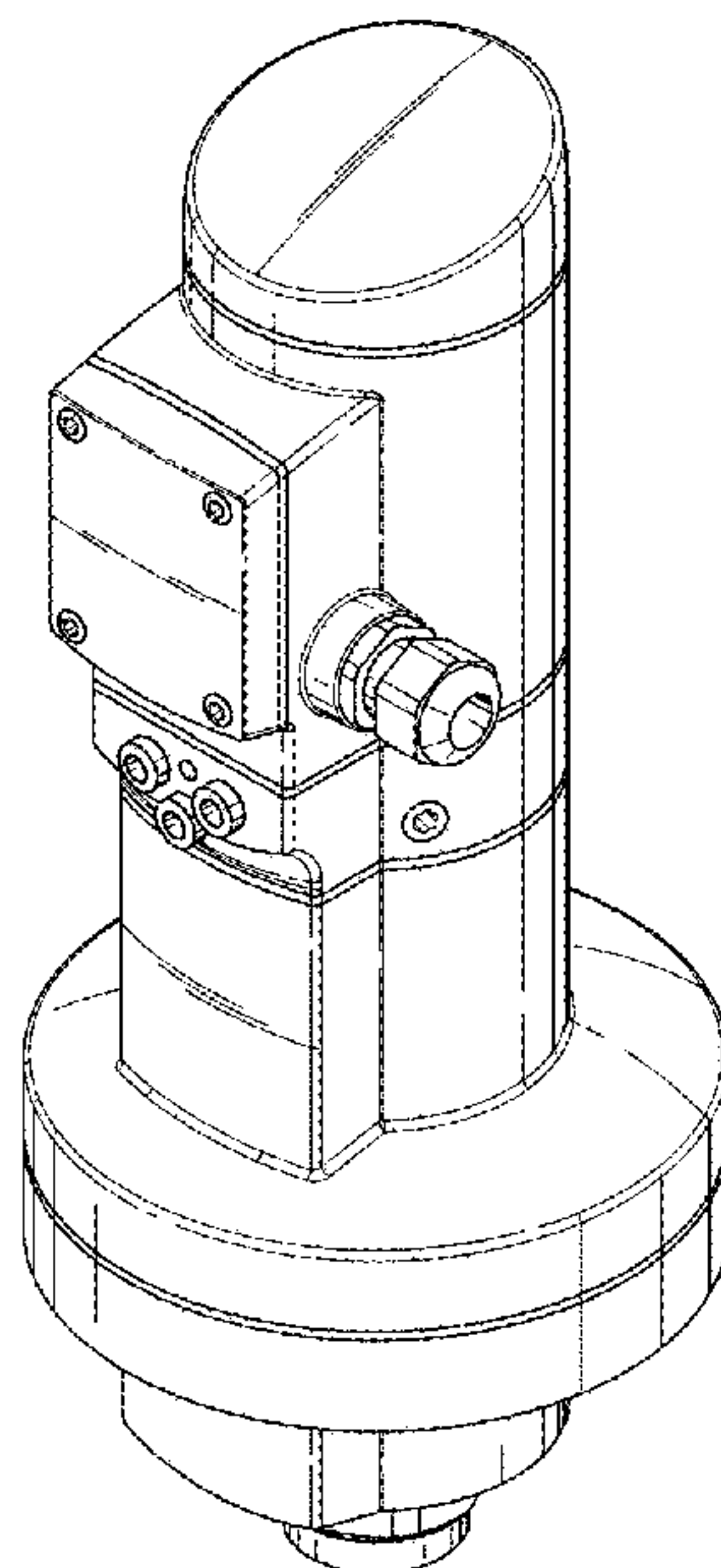
(57) **CLAIM**

The ornamental design for a valve actuator, as shown and described.

DESCRIPTION

FIG. 1 is a top perspective view of a valve actuator showing our new design;
FIG. 2 is a front view thereof;
FIG. 3 is a rear view thereof;
FIG. 4 is a left side view thereof;
FIG. 5 is a right side view thereof;
FIG. 6 is a top plan view thereof; and,
FIG. 7 is a bottom plan view thereof.
The broken lines shown in the figures are included for the purpose of illustrating portions of the valve actuator and form no part of the claimed design.

1 Claim, 7 Drawing Sheets



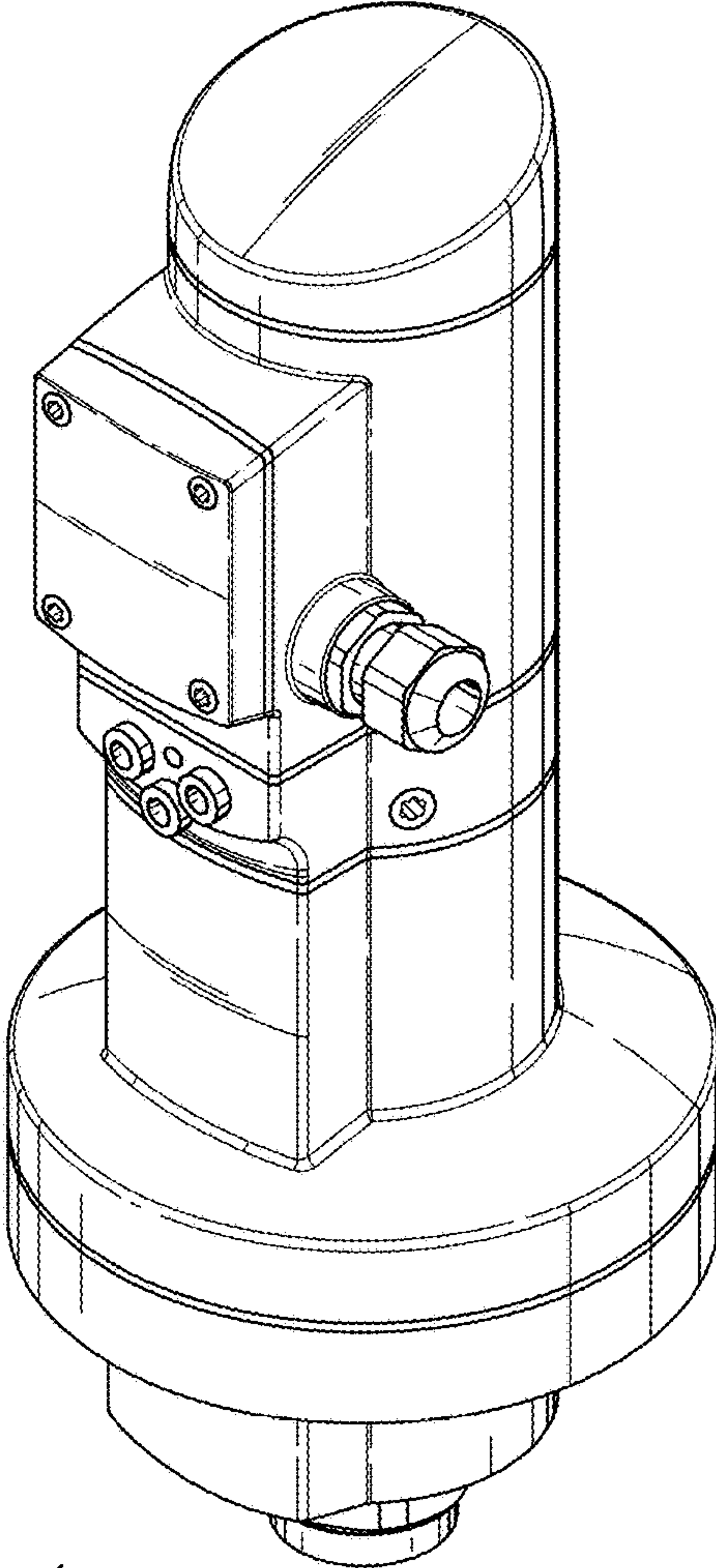


Fig. 1

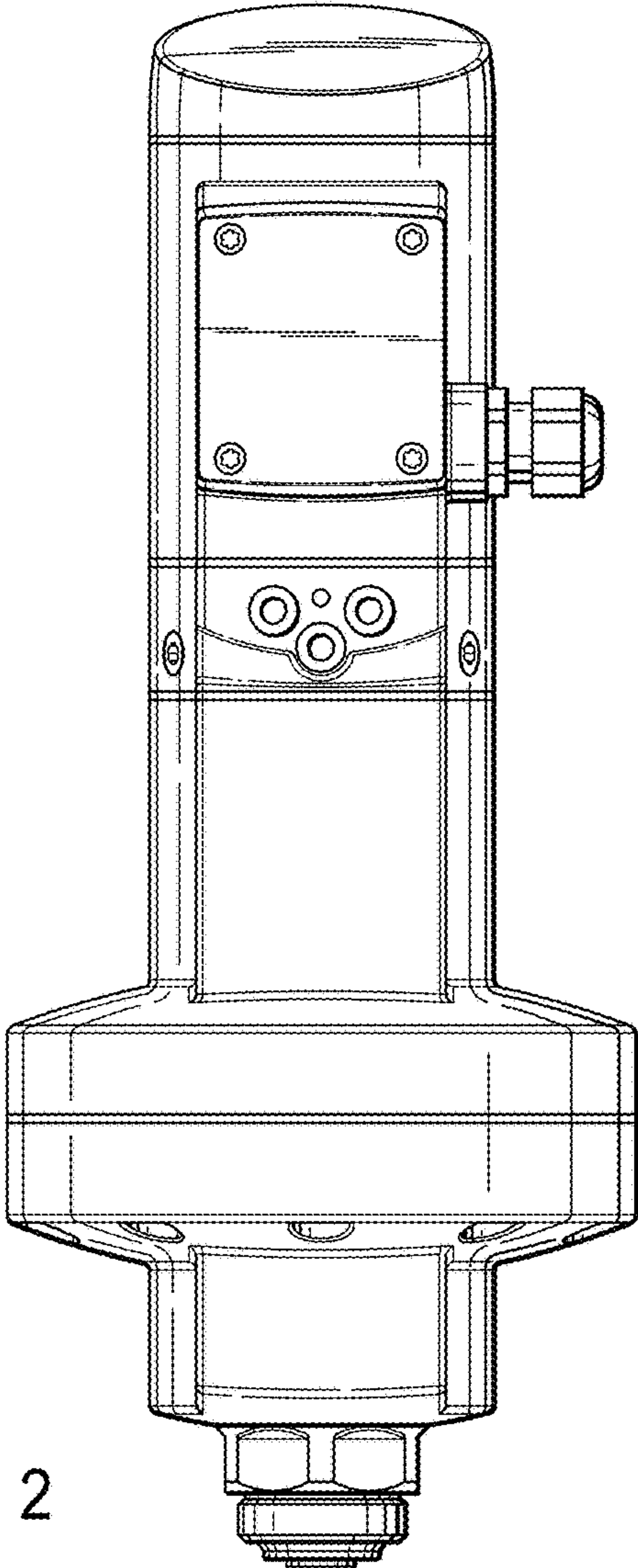


Fig. 2

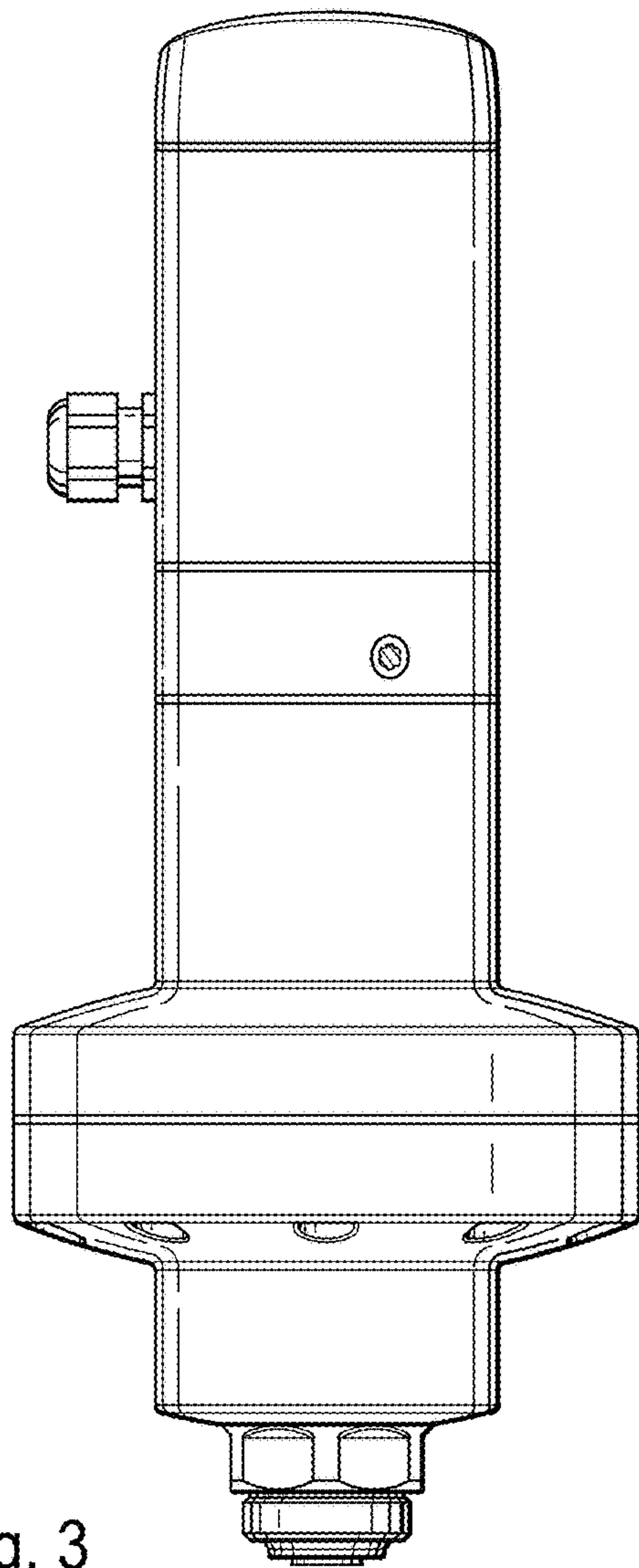


Fig. 3

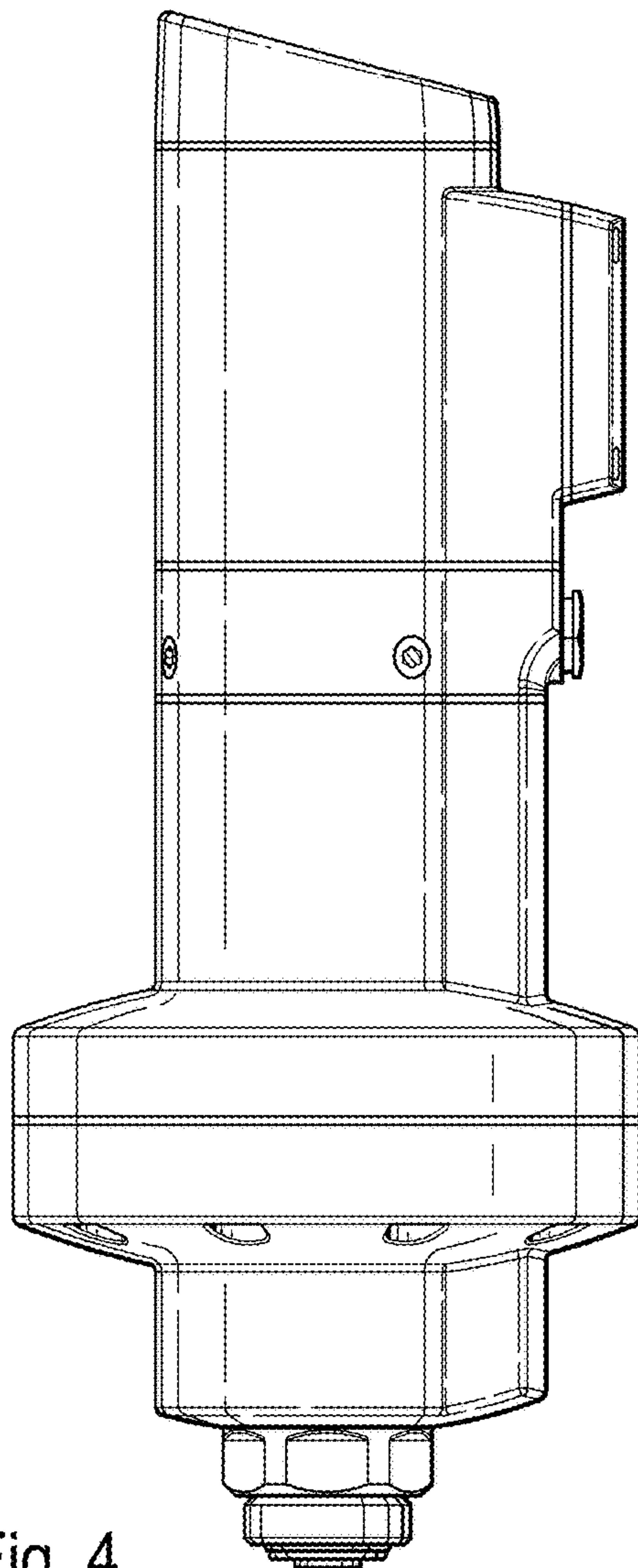


Fig. 4

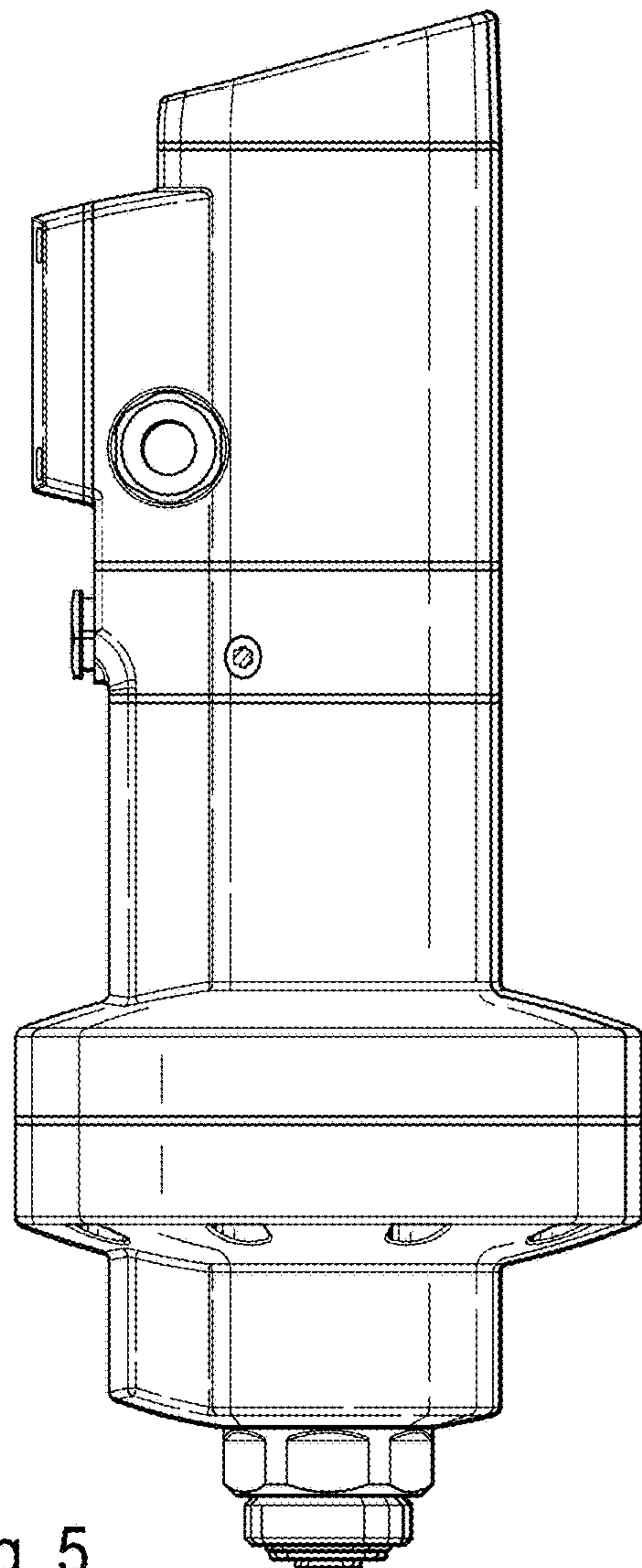


Fig. 5

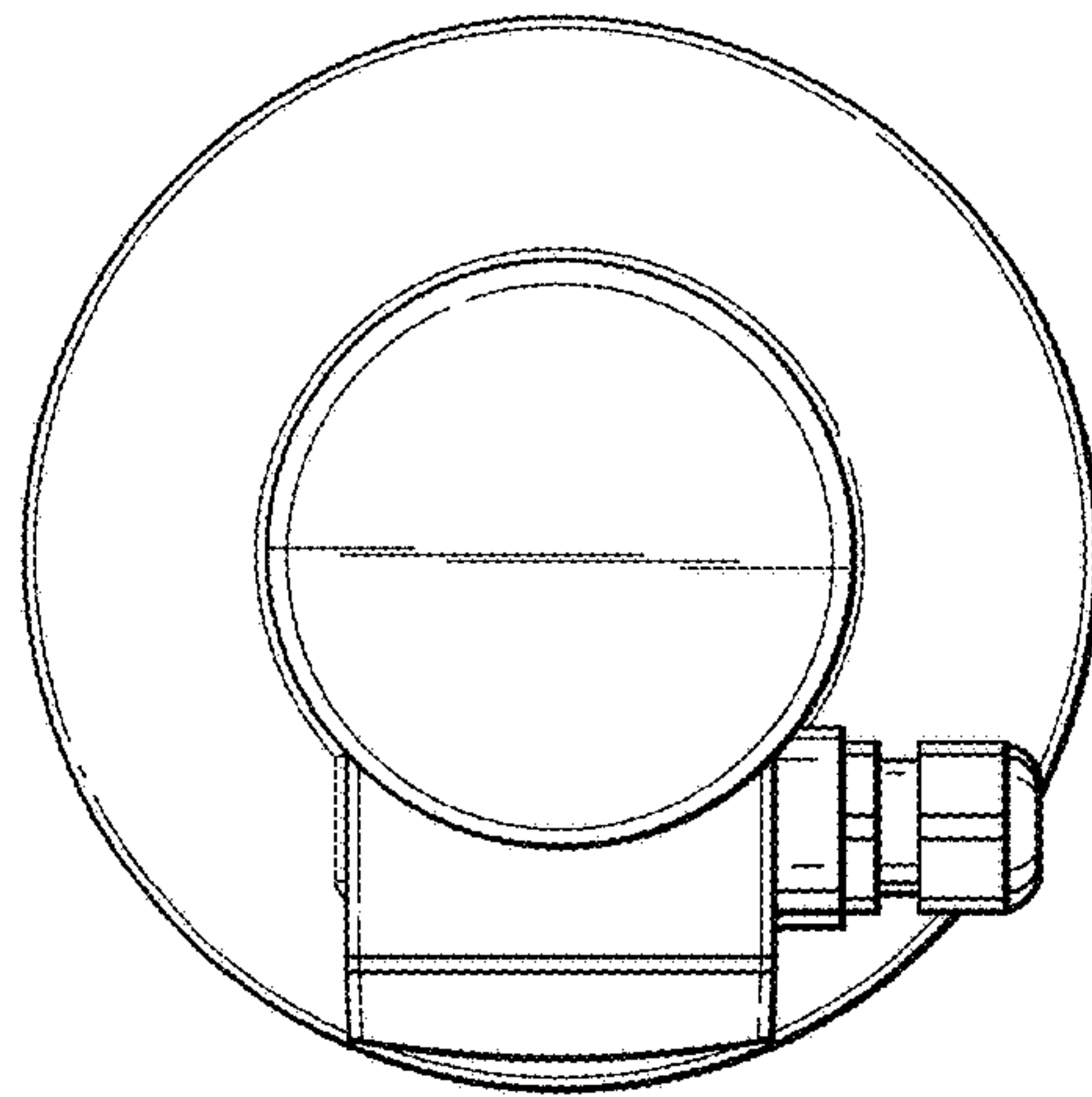


Fig. 6

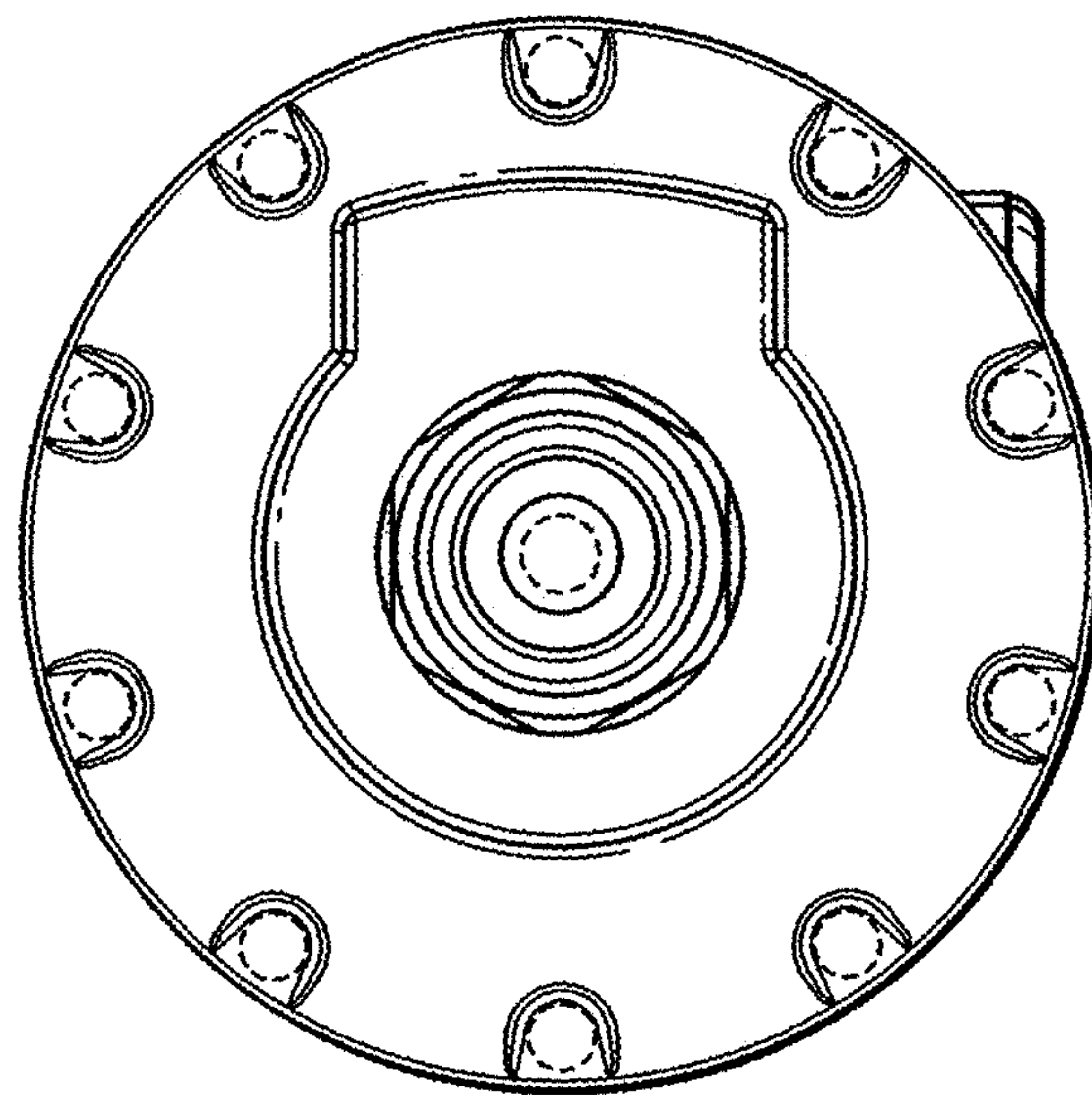


Fig. 7