



US00D854123S

(12) **United States Design Patent**
Becker et al.

(10) **Patent No.:** **US D854,123 S**
(45) **Date of Patent:** **** Jul. 16, 2019**

(54) **TEXTURE SPRAY GUN**

(71) Applicant: **Graco Minnesota Inc.**, Minneapolis, MN (US)

(72) Inventors: **Steven D. Becker**, Blaine, MN (US);
Steve J. Wrobel, Rogers, MN (US)

(73) Assignee: **Graco Minnesota Inc.**, Minneapolis, MN (US)

(**) Term: **15 Years**

(21) Appl. No.: **29/635,086**

(22) Filed: **Jan. 26, 2018**

(51) **LOC (11) Cl.** **23-01**

(52) **U.S. Cl.**
USPC **D23/226**

(58) **Field of Classification Search**
USPC D23/213, 223, 226
CPC A01M 7/0046; B05B 9/01; B05B 1/30;
B05B 7/08; B05B 5/1691; B05B 5/043;
B05B 5/025; B05B 1/005; B05B 7/083
See application file for complete search history.

(56) **References Cited**

U.S. PATENT DOCUMENTS

D740,393 S * 10/2015 Gehrung D23/226
D780,892 S 3/2017 Carlson et al.

D794,755 S * 8/2017 Wang D23/226
D798,419 S * 9/2017 Gehrung D23/226
D820,389 S * 6/2018 Gehrung D23/226
D821,545 S * 6/2018 Gehrung D23/226

OTHER PUBLICATIONS

Related design: Design U.S. Appl. No. 29/635,089, filed Jan. 26, 2018 (same day as this application).

* cited by examiner

Primary Examiner — Robin V Webster

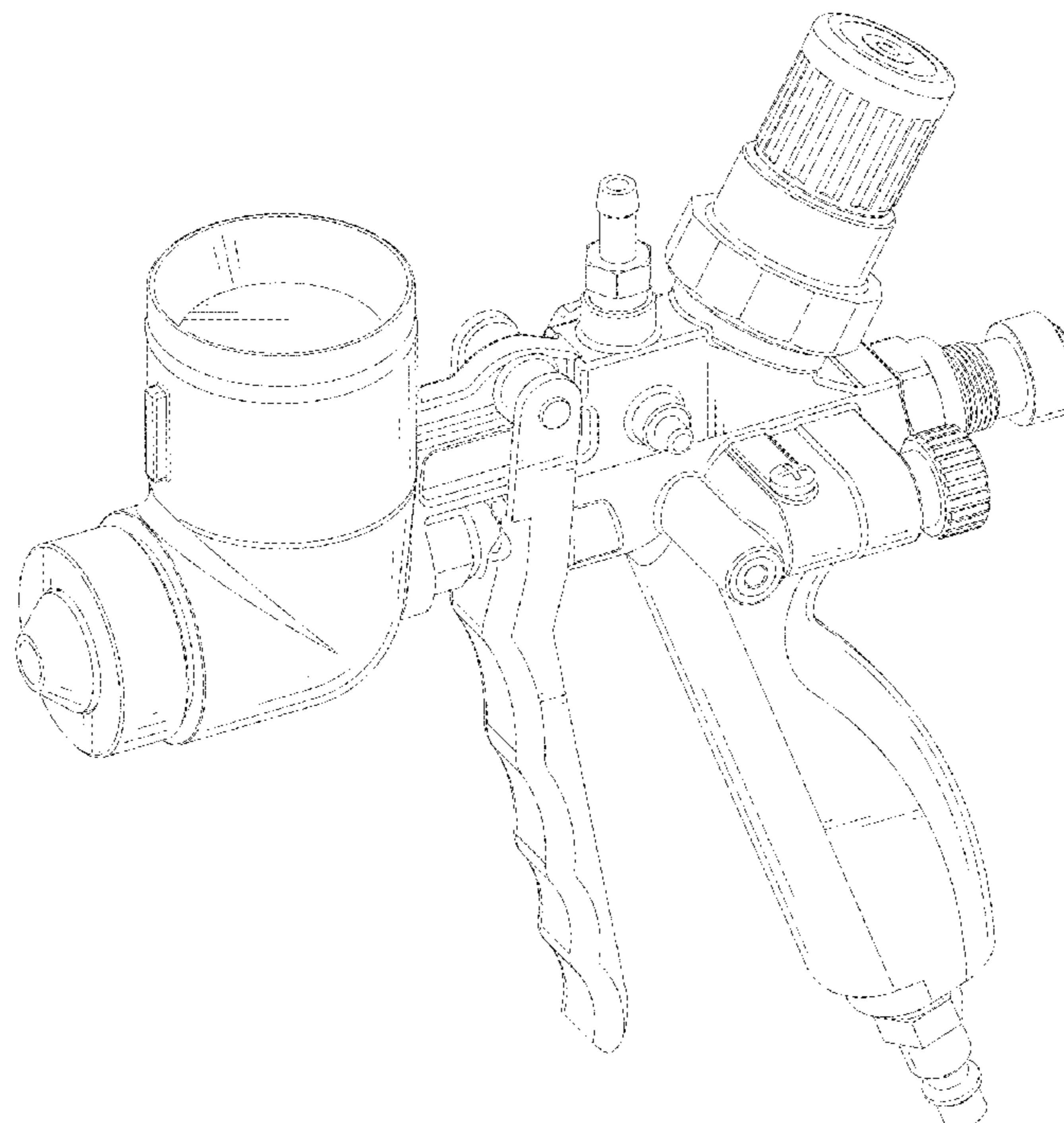
(57) **CLAIM**

The ornamental design for a texture spray gun, as shown and described.

DESCRIPTION

FIG. 1 is a front isometric view of a texture spray gun showing our new design;
FIG. 2 is a front view;
FIG. 3 is a back view;
FIG. 4 is a top view;
FIG. 5 is a bottom view;
FIG. 6 is a left side view; and,
FIG. 7 is a right side view.

1 Claim, 7 Drawing Sheets



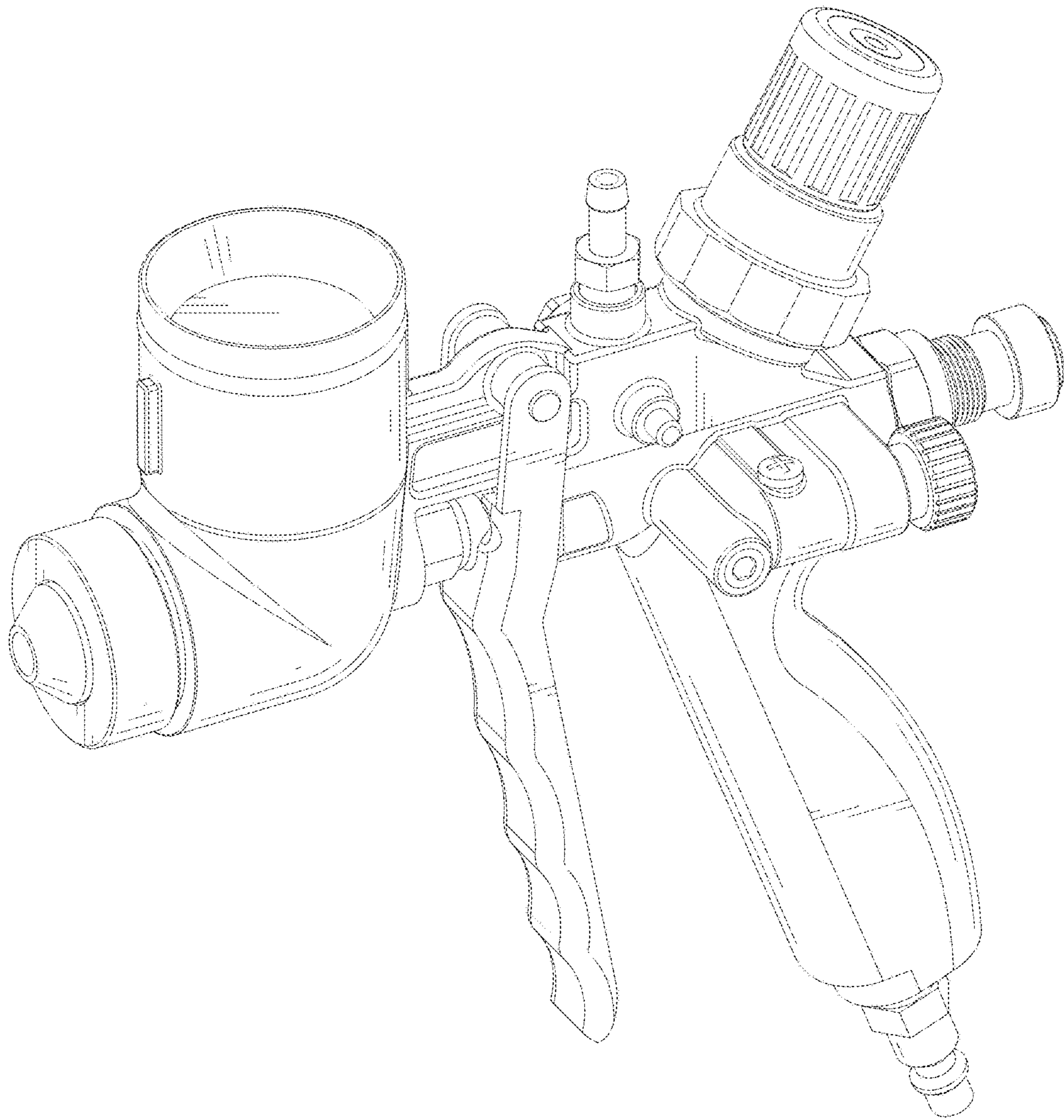


FIG. 1

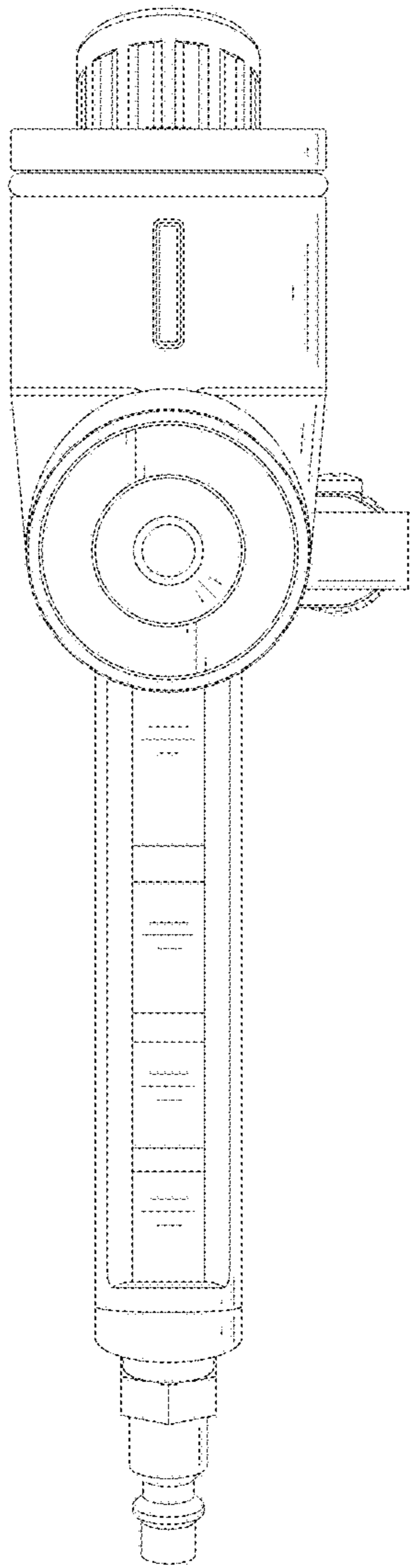


FIG. 2

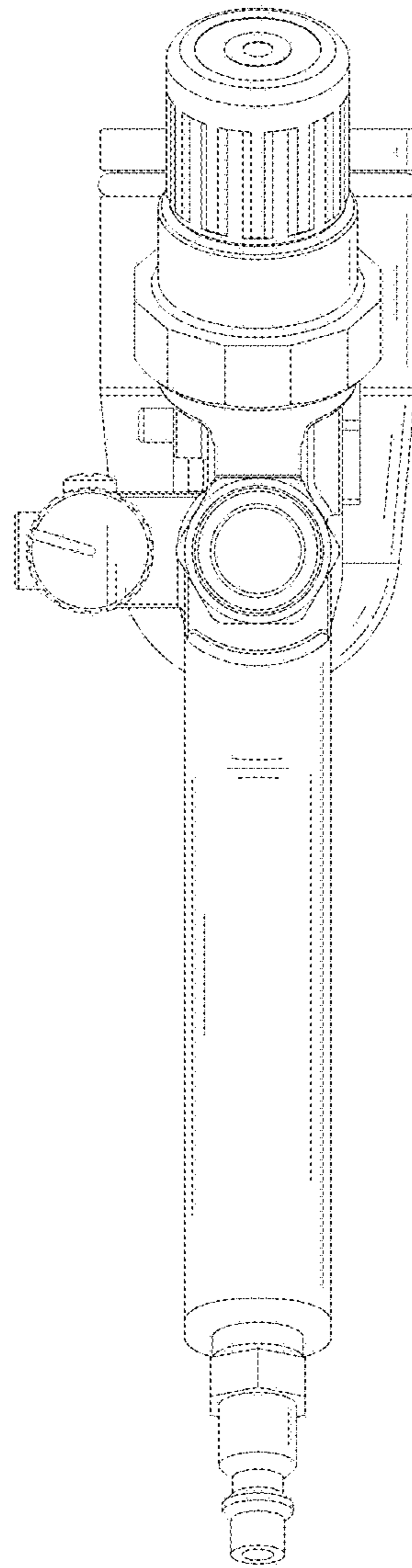


FIG. 3

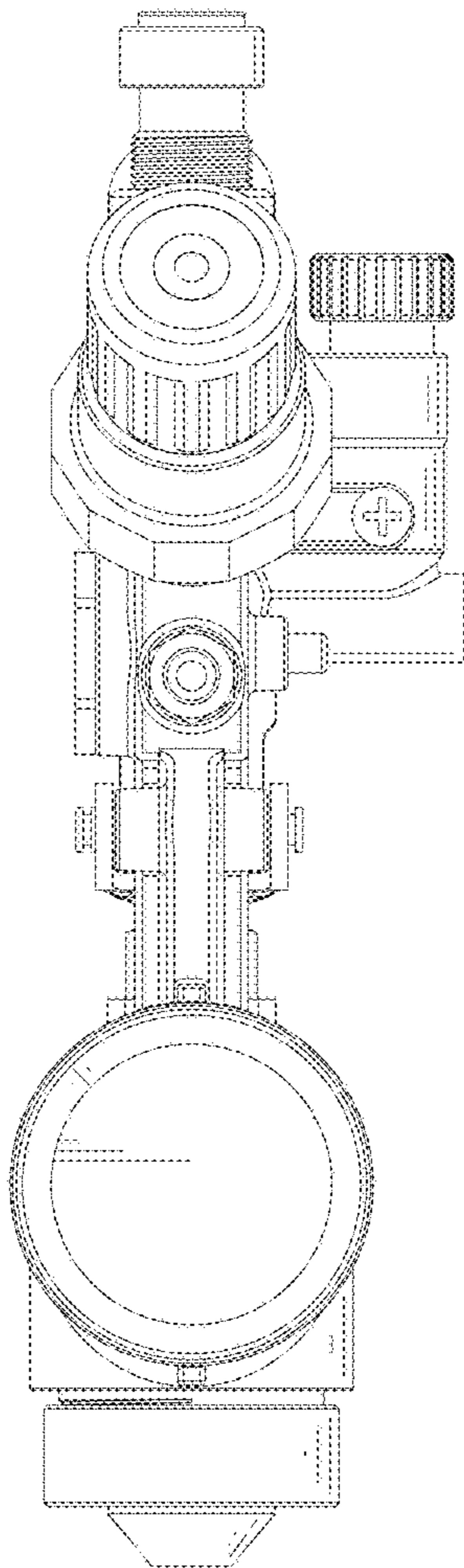


FIG. 4

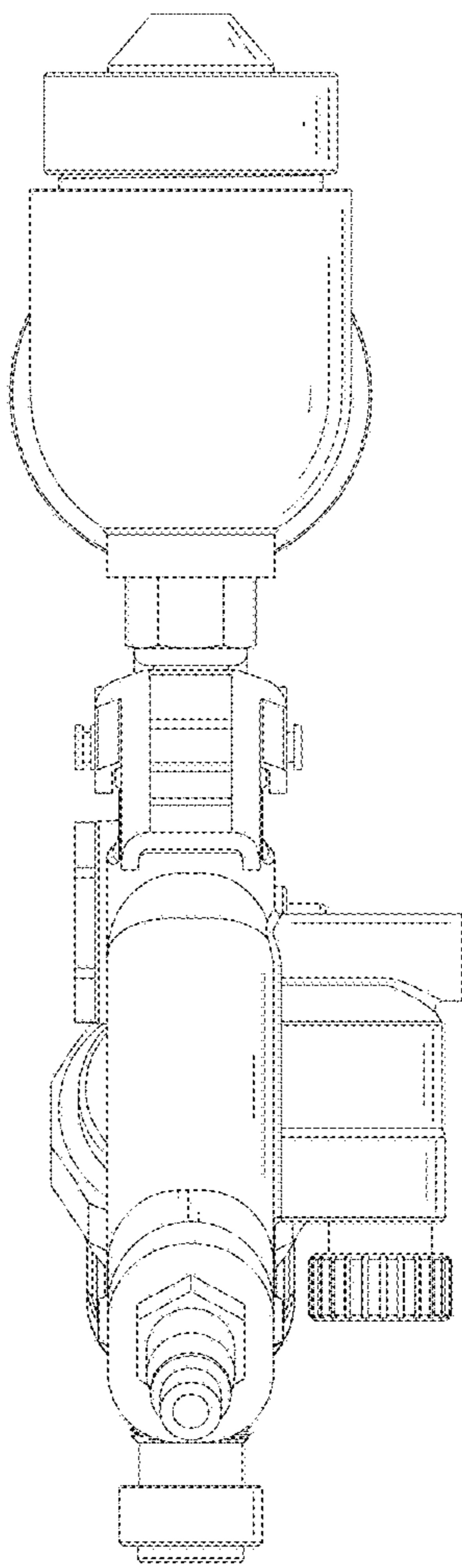


FIG. 5

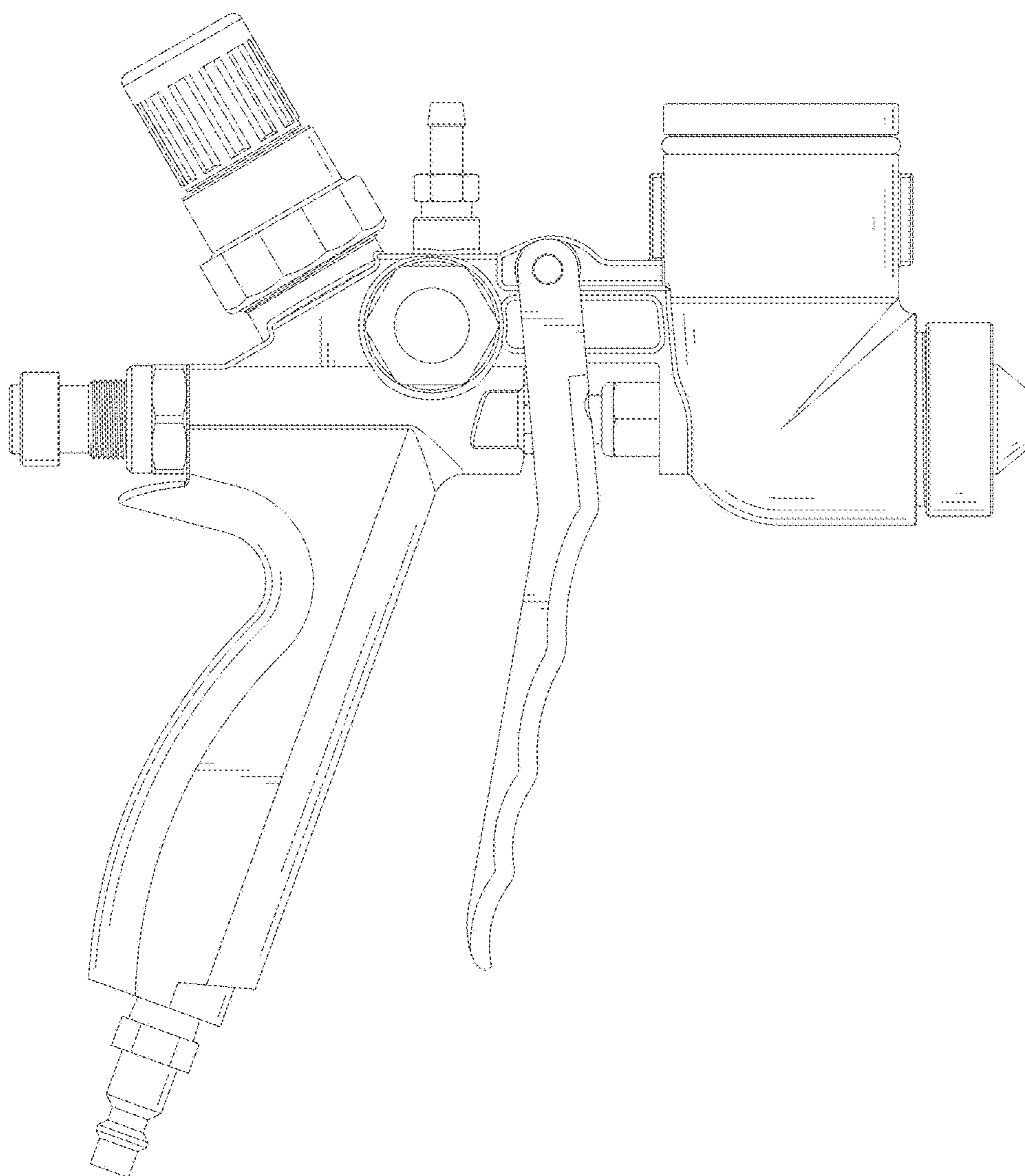


FIG. 6

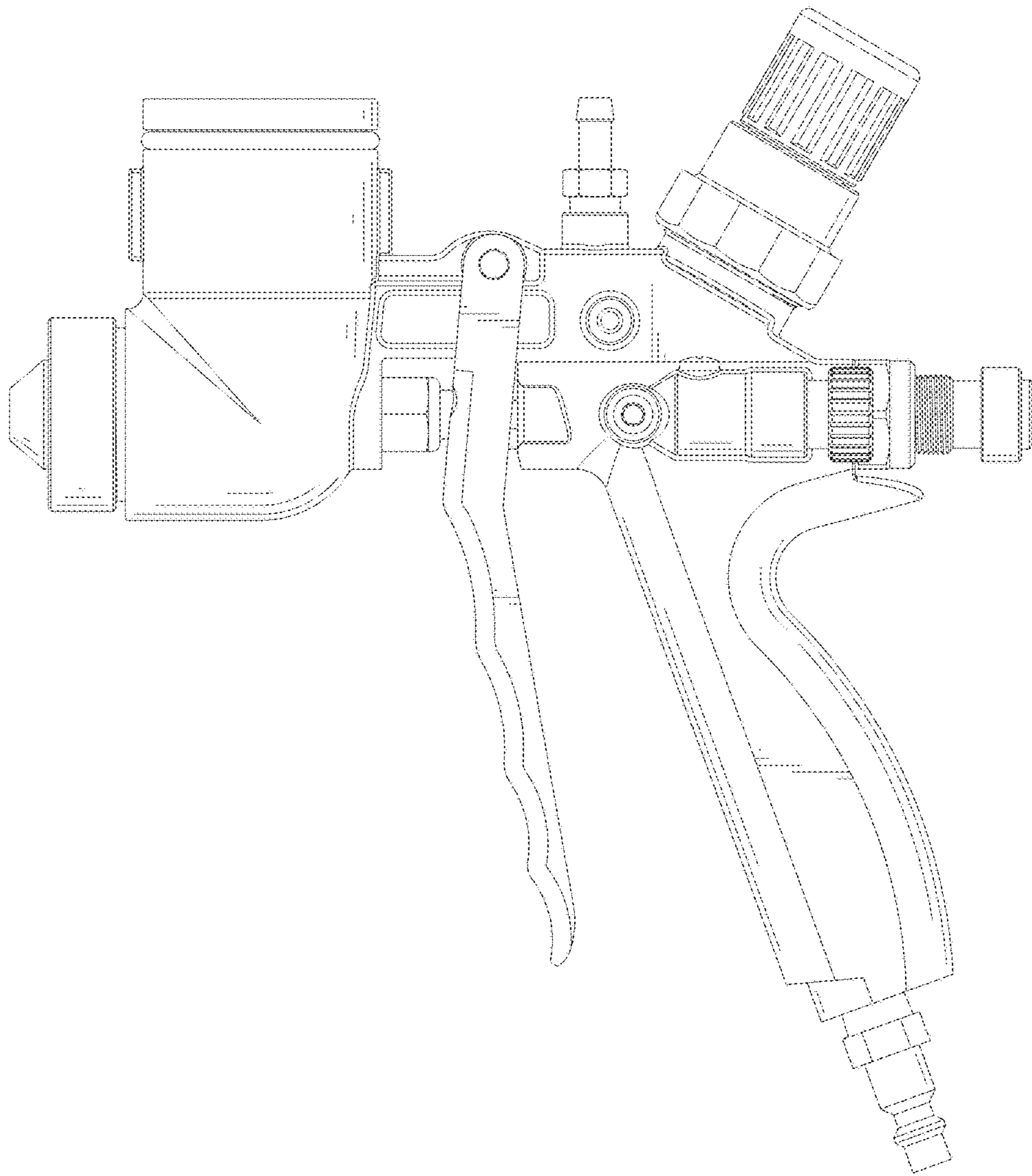


FIG. 7