



US00D854122S

(12) **United States Design Patent** (10) **Patent No.:** **US D854,122 S**
An et al. (45) **Date of Patent:** **** Jul. 16, 2019**

(54) **WATER PURIFYING FILTER FOR REFRIGERATOR**

D288,707 S 3/1987 Macevicz et al.
4,915,831 A * 4/1990 Taylor B01D 35/30
206/1.5

(71) Applicant: **LG Electronics Inc.**, Seoul (KR)

5,486,288 A 1/1996 Stanford et al.
D385,330 S 10/1997 Edman et al.

(72) Inventors: **Siyeon An**, Seoul (KR); **Jimin You**, Seoul (KR)

D422,677 S 4/2000 Birdsell et al.
6,120,685 A * 9/2000 Carlson B01D 35/143
210/232

(73) Assignee: **LG ELECTRONICS INC.**, Seoul (KR)

D472,604 S * 4/2003 Fritze D23/209
D599,880 S * 9/2009 Rampen D23/209

(**) Term: **15 Years**

D615,362 S 5/2010 Handel
D621,471 S 8/2010 Bock

(21) Appl. No.: **29/641,956**

D679,779 S 4/2013 Reid
D712,007 S 8/2014 Reid

(22) Filed: **Mar. 26, 2018**

D752,707 S 3/2016 Huda et al.
D755,922 S * 5/2016 Sherman B01D 35/30
D23/209

Related U.S. Application Data

D758,526 S 6/2016 Quail
D760,868 S * 7/2016 Lu D23/209

(63) Continuation of application No. 35/502,657, filed on Sep. 23, 2016 (U.S. filing date under 35 U.S.C. 384), and having an international filing date of Sep. 23, 2016, now Pat. No. Des. 820,948.

Primary Examiner — Keli L Hill

(74) *Attorney, Agent, or Firm* — Birch, Stewart, Kolasch & Birch, LLP

(30) **Foreign Application Priority Data**

Apr. 12, 2016 (KR) 30-2016-0017281

(57) **CLAIM**

We claim the ornamental design for a water purifying filter for refrigerator, as shown and described.

(51) **LOC (11) Cl.** **23-01**

(52) **U.S. Cl.**
USPC **D23/209**

DESCRIPTION

(58) **Field of Classification Search**
USPC D23/202, 205, 207, 209, 235, 249, 259,
D23/260, 262, 313
CPC B05B 7/0425; E03C 1/08; E03C 1/084;
E03C 1/086; E03C 2001/026
See application file for complete search history.

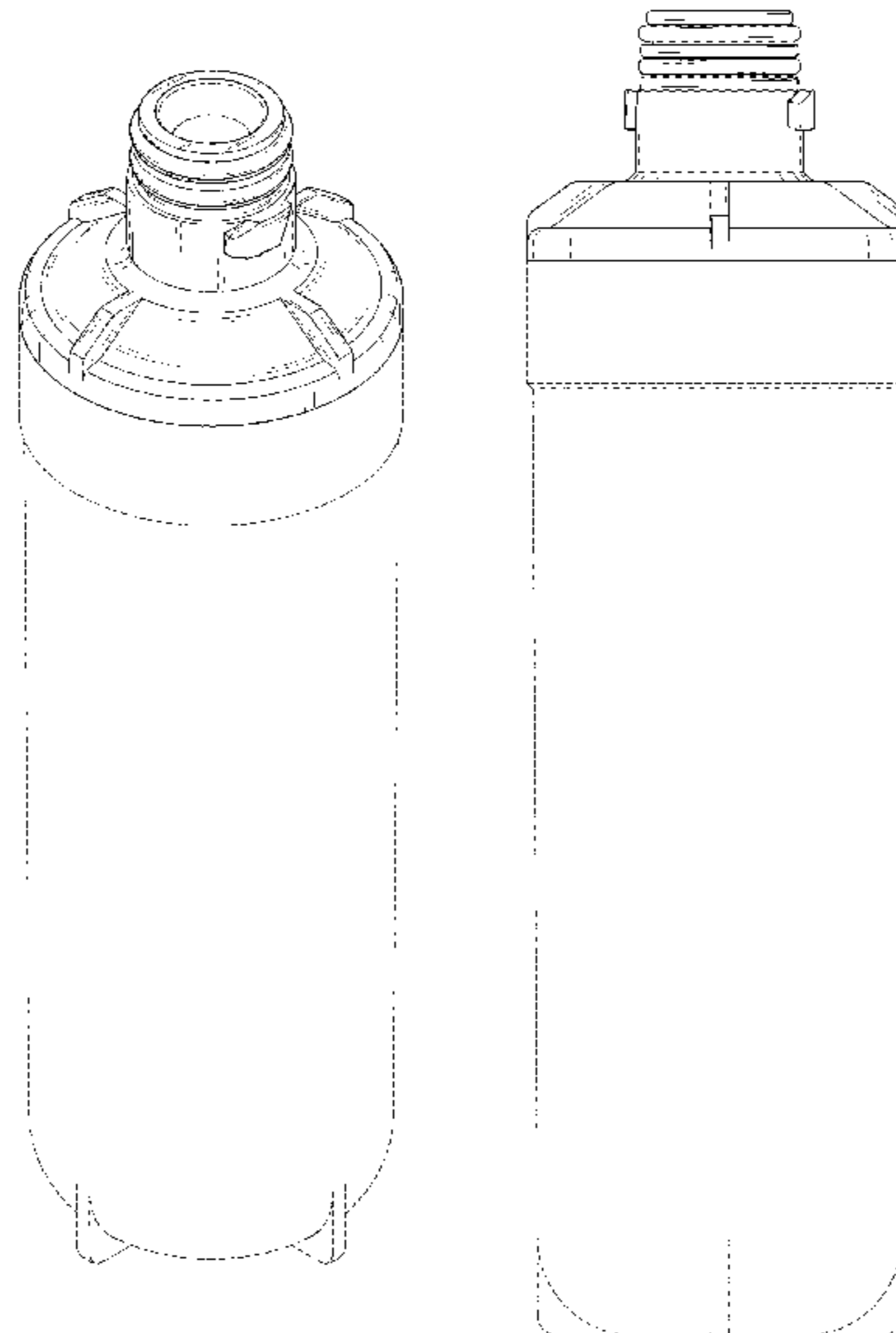
FIG. 1 is a perspective view of a water purifying filter for refrigerator showing our new design;
FIG. 2 is a front elevation view thereof;
FIG. 3 is a rear elevation view thereof;
FIG. 4 is a left-side elevation view thereof;
FIG. 5 is a right-side elevation view thereof;
FIG. 6 is a top plan view thereof; and,
FIG. 7 is a bottom plan view thereof.
The broken line showing of the water purifying filter for refrigerator and forms no part of the claimed design.

(56) **References Cited**

U.S. PATENT DOCUMENTS

D172,354 S 6/1954 Line
D234,843 S * 4/1975 Taylor D23/207

1 Claim, 6 Drawing Sheets



(56)

References Cited

U.S. PATENT DOCUMENTS

D764,021 S * 8/2016 Lu B01D 35/30
D23/209
D764,626 S * 8/2016 Lu D23/209
D768,814 S * 10/2016 Dong D23/209
D773,606 S 12/2016 Ruprecht
D773,607 S * 12/2016 Lu D23/209
D794,751 S 8/2017 Zou
D807,987 S 1/2018 Ruprecht
D813,357 S * 3/2018 Bryant D23/262
D820,387 S * 6/2018 Campbell D23/209
D820,948 S * 6/2018 An D23/209
D824,484 S * 7/2018 Zou B01D 35/143
D23/209
D830,497 S * 10/2018 Suzuki D23/202
D831,786 S * 10/2018 Zou B01D 35/30
D23/209
10,099,162 B2 * 10/2018 Prince B01D 35/30
2017/0350641 A1 12/2017 Park

* cited by examiner

Fig. 1

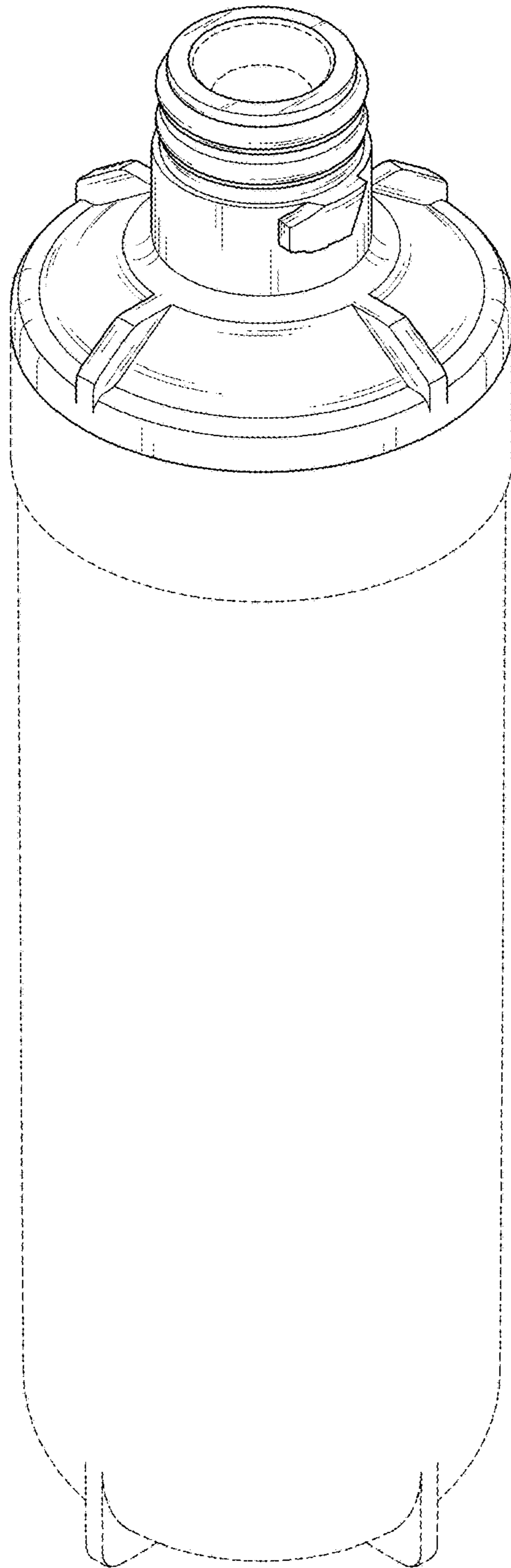


Fig. 2

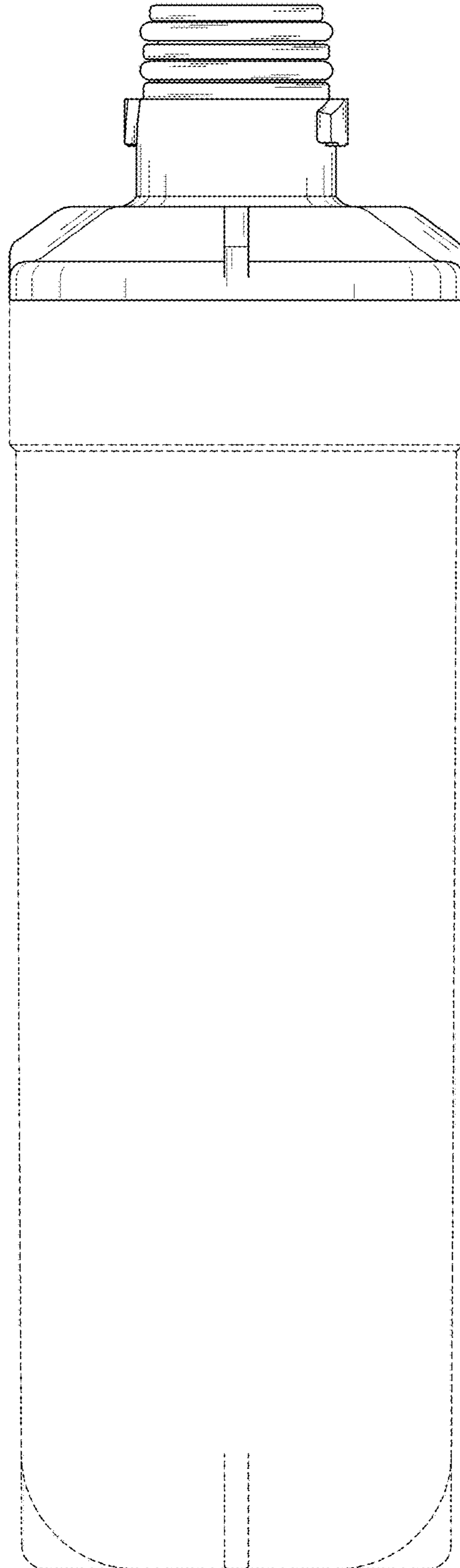


Fig. 3

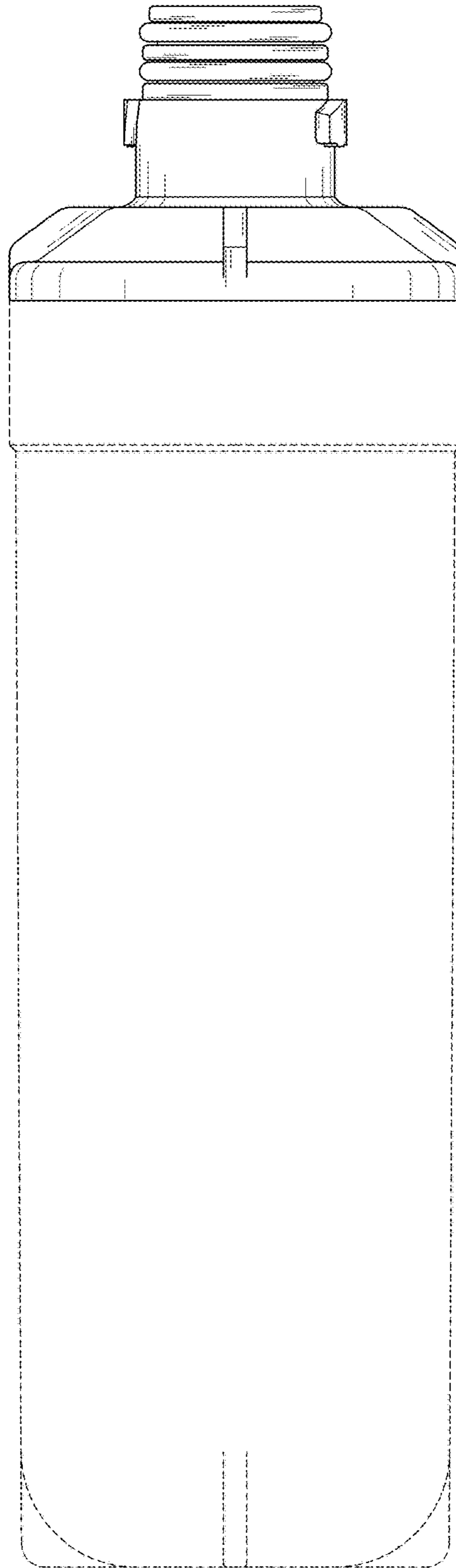


Fig. 4

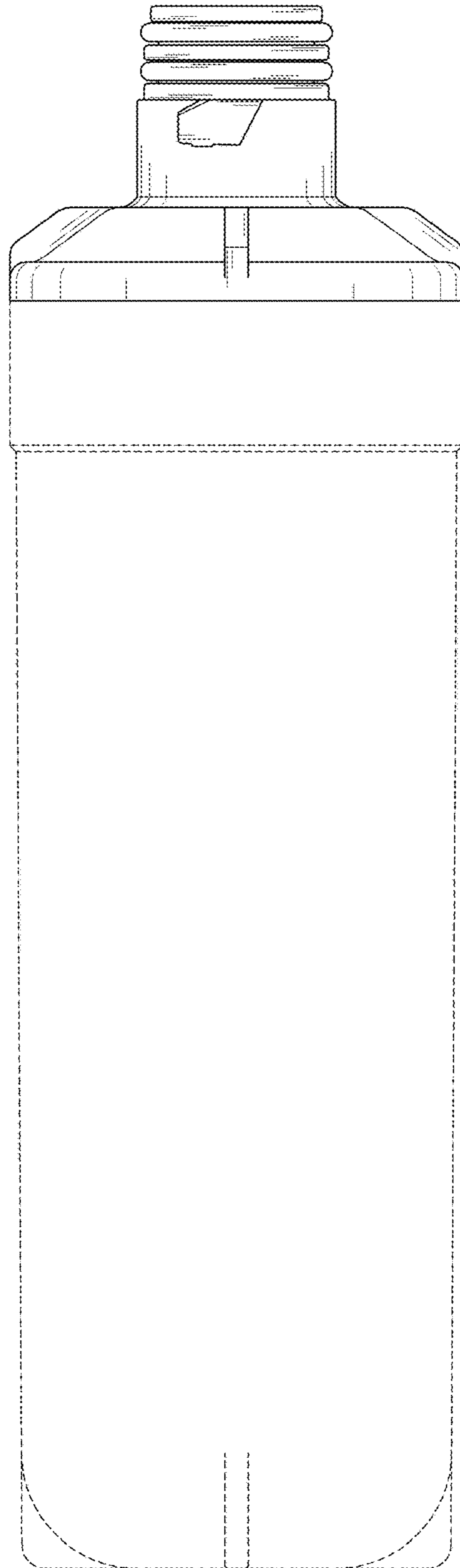


Fig. 5

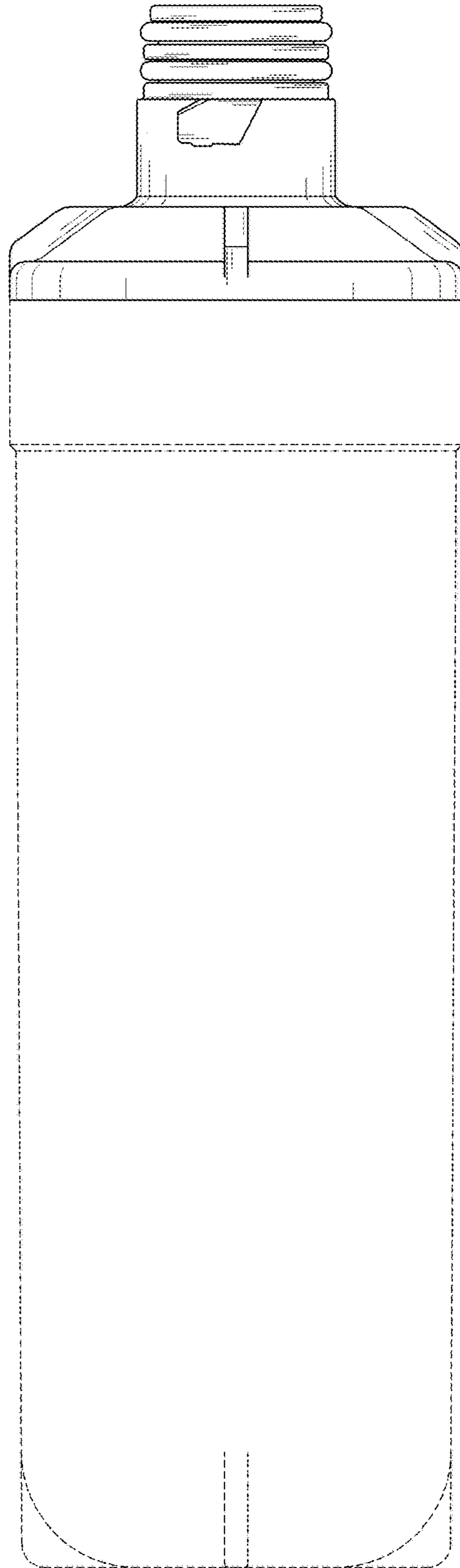


Fig. 6

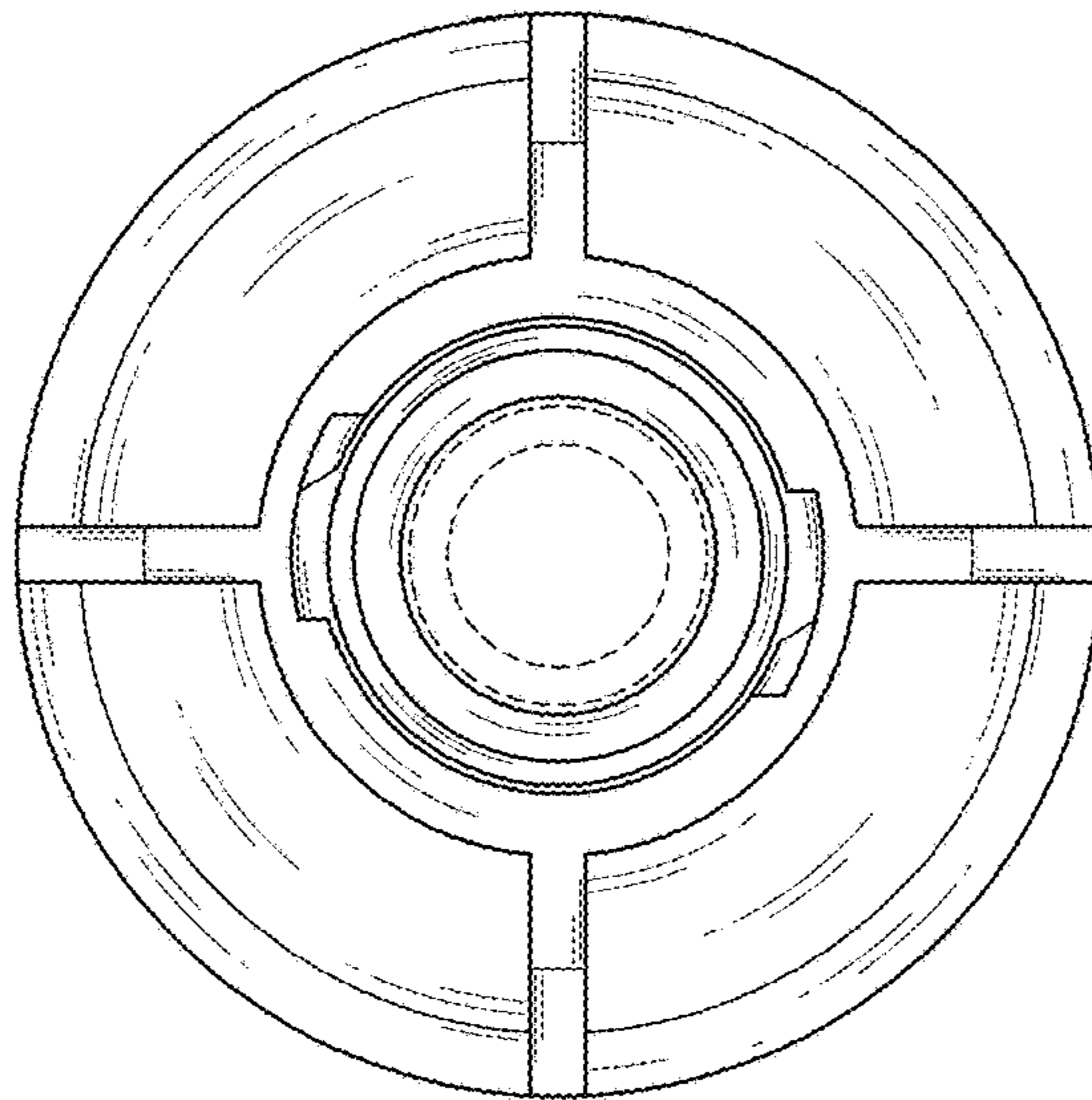


Fig. 7

