



US00D854120S

(12) **United States Design Patent** (10) **Patent No.:** **US D854,120 S**  
**Bates, Jr.** (45) **Date of Patent:** **\*\* Jul. 16, 2019**

(54) **FLOATING WIRE BASKET**

- (71) Applicant: **Donald W. Bates, Jr.**, Fairhope, AL (US)
- (72) Inventor: **Donald W. Bates, Jr.**, Fairhope, AL (US)
- (73) Assignee: **Osprey Initiative, LLC**, Fairhope, AL (US)
- (\*\*) Term: **15 Years**
- (21) Appl. No.: **29/609,760**
- (22) Filed: **Jul. 5, 2017**
- (51) **LOC (11) Cl.** ..... **22-05**
- (52) **U.S. Cl.**  
USPC ..... **D22/135; D23/209**
- (58) **Field of Classification Search**  
USPC ..... D22/121, 134, 135, 136, 146, 149;  
D23/209; D3/304  
CPC ..... E04H 4/1263; A01K 97/20; A01K 74/00;  
A01K 77/00; A01K 71/00; B01D  
2201/64; B01D 35/05  
See application file for complete search history.

(56) **References Cited**

**U.S. PATENT DOCUMENTS**

1,836,836	A *	12/1931	Chobanoff	.....	A01K 75/04 43/43.1
2,241,314	A *	5/1941	Mohler	.....	A01K 97/20 383/117
D161,816	S *	2/1951	Blakeslee	.....	43/55
2,782,546	A *	2/1957	Edworthy	.....	A01K 77/00 43/11
3,308,570	A *	3/1967	Horton	.....	A01K 97/04 43/4
3,381,408	A *	5/1968	Nishimura	.....	A01K 97/20 43/55
3,524,278	A *	8/1970	Wolfe	.....	A01K 97/20 43/55
D254,503	S *	3/1980	Belasquez	.....	D22/134

(Continued)

**OTHER PUBLICATIONS**

“YouTube—DIY RC Pool Skimmer.” Found online Jan. 23, 2019 at www.youtube.com. Video published Jul. 10, 2016. Retrieved from URL: https://www.youtube.com/watch?v=2Ey\_C2Fxb0&feature=youtu.be (Year: 2016).\*

(Continued)

*Primary Examiner* — Garth Rademaker  
*Assistant Examiner* — Katelin G Kloberg  
(74) *Attorney, Agent, or Firm* — Bush Intellectual Property Law; Kenneth M. Bush

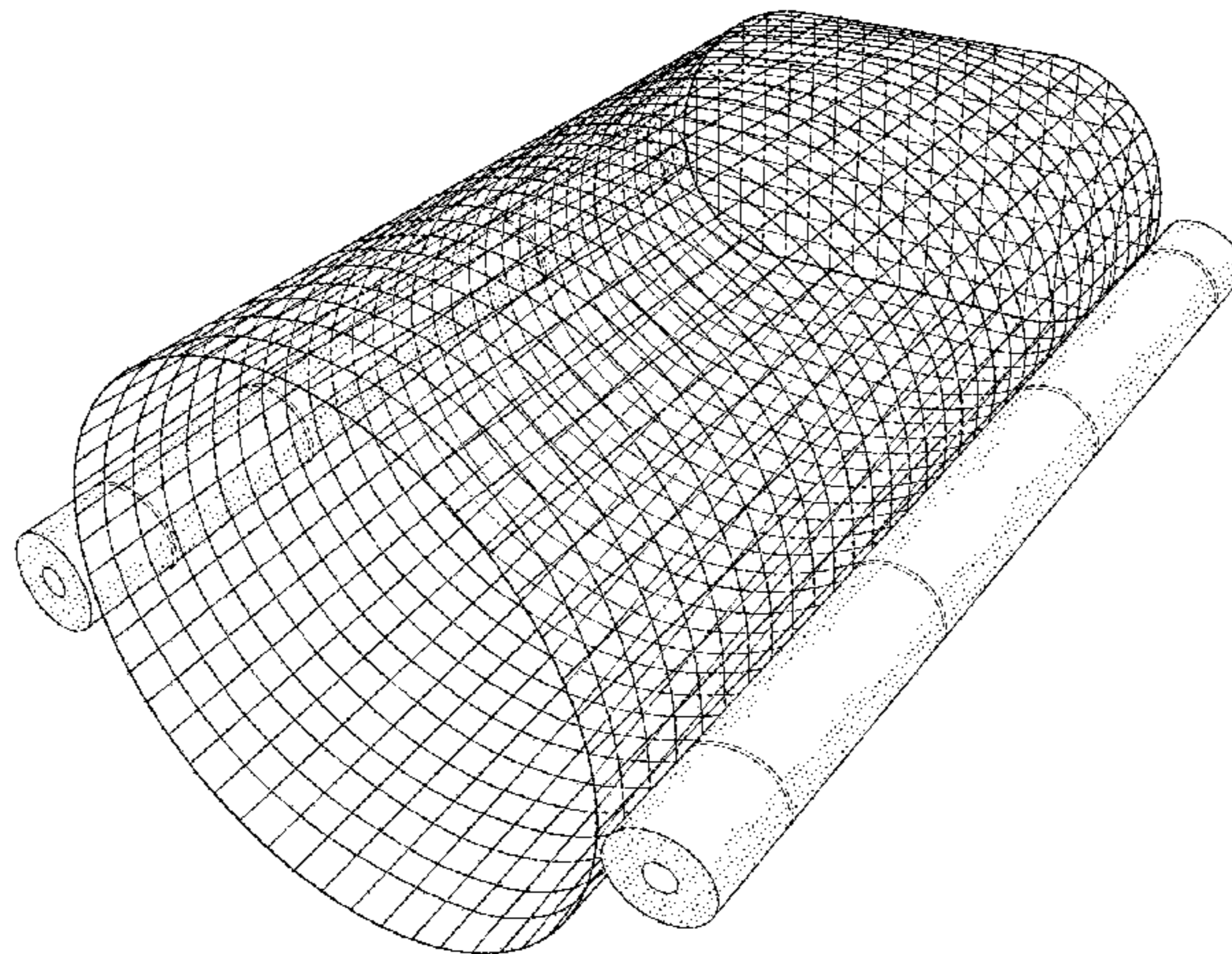
(57) **CLAIM**

I claim the ornamental design for a floating wire basket, as shown and described.

**DESCRIPTION**

FIG. 1 is a top, front, right side perspective view of a floating wire basket showing my new design;  
FIG. 2 is another top, front, right side perspective view thereof;  
FIG. 3 is a front elevational view thereof;  
FIG. 4 is a rear elevational view thereof;  
FIG. 5 is another rear elevational view thereof;  
FIG. 6 is a top plan view thereof;  
FIG. 7 is a bottom plan view thereof; and,  
FIG. 8 is a right side elevational view thereof, the left side elevational view being a mirror image of the right side elevational view.  
The broken lines shown in the figures represent portions of the floating wire basket that form no part of the claimed design. In FIGS. 2 and 5, portions of the floating wire basket that would be visible through the wire mesh body of the article have been omitted for ease of illustration.

**1 Claim, 8 Drawing Sheets**



(56)

References Cited

U.S. PATENT DOCUMENTS

4,250,664 A \* 2/1981 Remke ..... A01G 23/04  
206/423  
D323,698 S \* 2/1992 Nelson ..... D22/136  
D367,102 S \* 2/1996 McLeaf ..... D22/135  
5,561,936 A \* 10/1996 Franke ..... A01K 71/00  
43/7  
6,187,181 B1 2/2001 Stoltz et al.  
6,270,683 B1 8/2001 Turner  
6,306,295 B1 \* 10/2001 Giacalone ..... E04H 4/14  
210/167.2  
6,379,541 B1 4/2002 Nicholas  
D485,329 S \* 1/2004 Haws ..... D22/136  
6,860,677 B2 3/2005 Johnston  
7,153,417 B2 12/2006 Happel  
D598,196 S \* 8/2009 Vreeland ..... D23/261  
D620,548 S \* 7/2010 Vreeland ..... D23/209  
7,972,504 B2 7/2011 Weiss  
8,001,717 B1 \* 8/2011 Bright, II ..... A01K 97/05  
43/55  
D667,529 S 9/2012 Vreeland  
D694,852 S \* 12/2013 Gordon ..... D23/209  
9,260,853 B2 2/2016 Pank  
D754,280 S \* 4/2016 Krieger ..... D22/135

9,572,328 B1 \* 2/2017 Head ..... A01K 69/06  
D810,856 S \* 2/2018 Kelly ..... D22/136  
10,015,954 B2 \* 7/2018 Callingham ..... A01K 77/00  
2010/0025314 A1 2/2010 Cheng  
2014/0158598 A1 6/2014 Happel  
2015/0247332 A1 9/2015 Norberto, III et al.

OTHER PUBLICATIONS

“YouTube—DIY Pool Skimmer.” Found online Jan. 23, 2019 at [www.youtube.com](http://www.youtube.com). Video published Jun. 16, 2017. Retrieved from URL: <https://www.youtube.com/watch?v=YuhbYpdDn7A> (Year: 2017).\*

“The Ellipse shopping basket.” Found online Jan. 23, 2019 at [www.formbar.com](http://www.formbar.com). Page archived Sep. 25, 2015. Retrieved from URL: [https://web.archive.org/web/20150925233702/https://www.formbar.co.uk/HTML5/index\\_shopping-baskets-detail.asp?cat=Wire&Fid=44&search=3TE225BK](https://web.archive.org/web/20150925233702/https://www.formbar.co.uk/HTML5/index_shopping-baskets-detail.asp?cat=Wire&Fid=44&search=3TE225BK) (Year: 2015).\*

“Eagle Claw Galvanized Minnow Trap.” Found online Jan. 23, 2019 at [www.amazon.com](http://www.amazon.com). Page dated Aug. 11, 2016. Retrieved from URL: [https://www.amazon.com/Eagle-Claw-Galvanized-Minnow-Trap/dp/B00FPQZFGS/ref=sr\\_1\\_10?ie=UTF8&qid=1548267237&sr=8-10&keywords=minnow+trap](https://www.amazon.com/Eagle-Claw-Galvanized-Minnow-Trap/dp/B00FPQZFGS/ref=sr_1_10?ie=UTF8&qid=1548267237&sr=8-10&keywords=minnow+trap) (Year: 2016).\*

\* cited by examiner



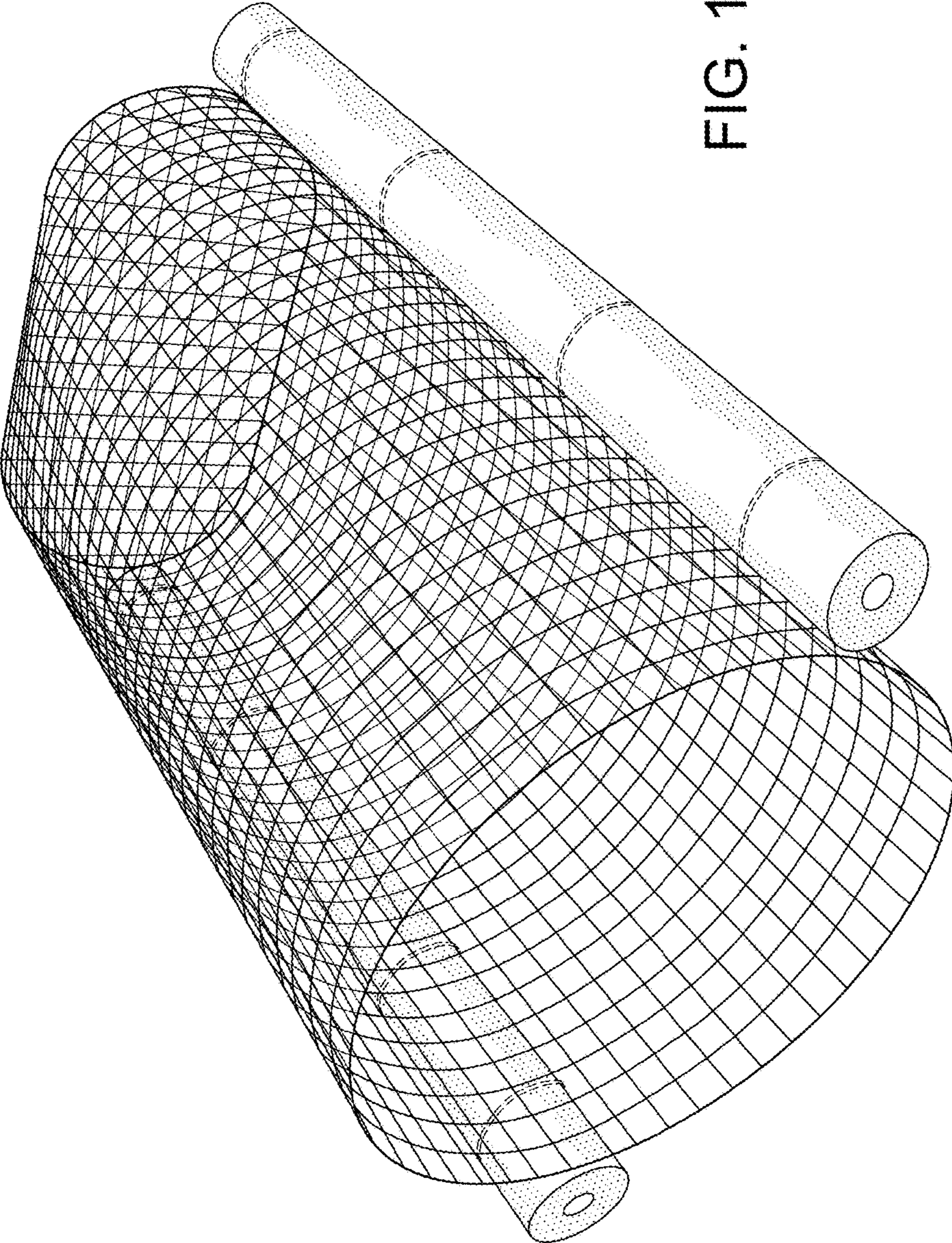


FIG. 1



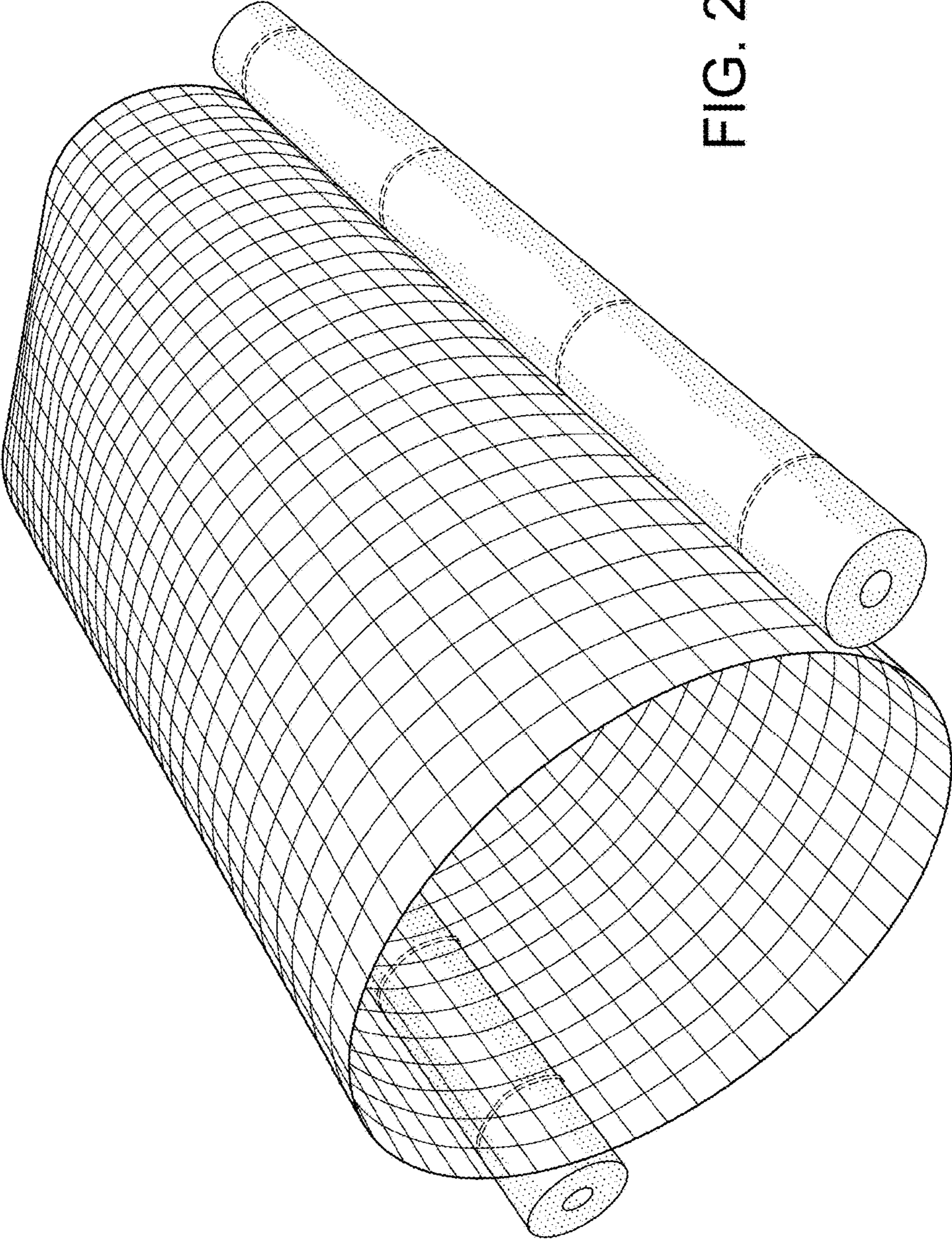


FIG. 2

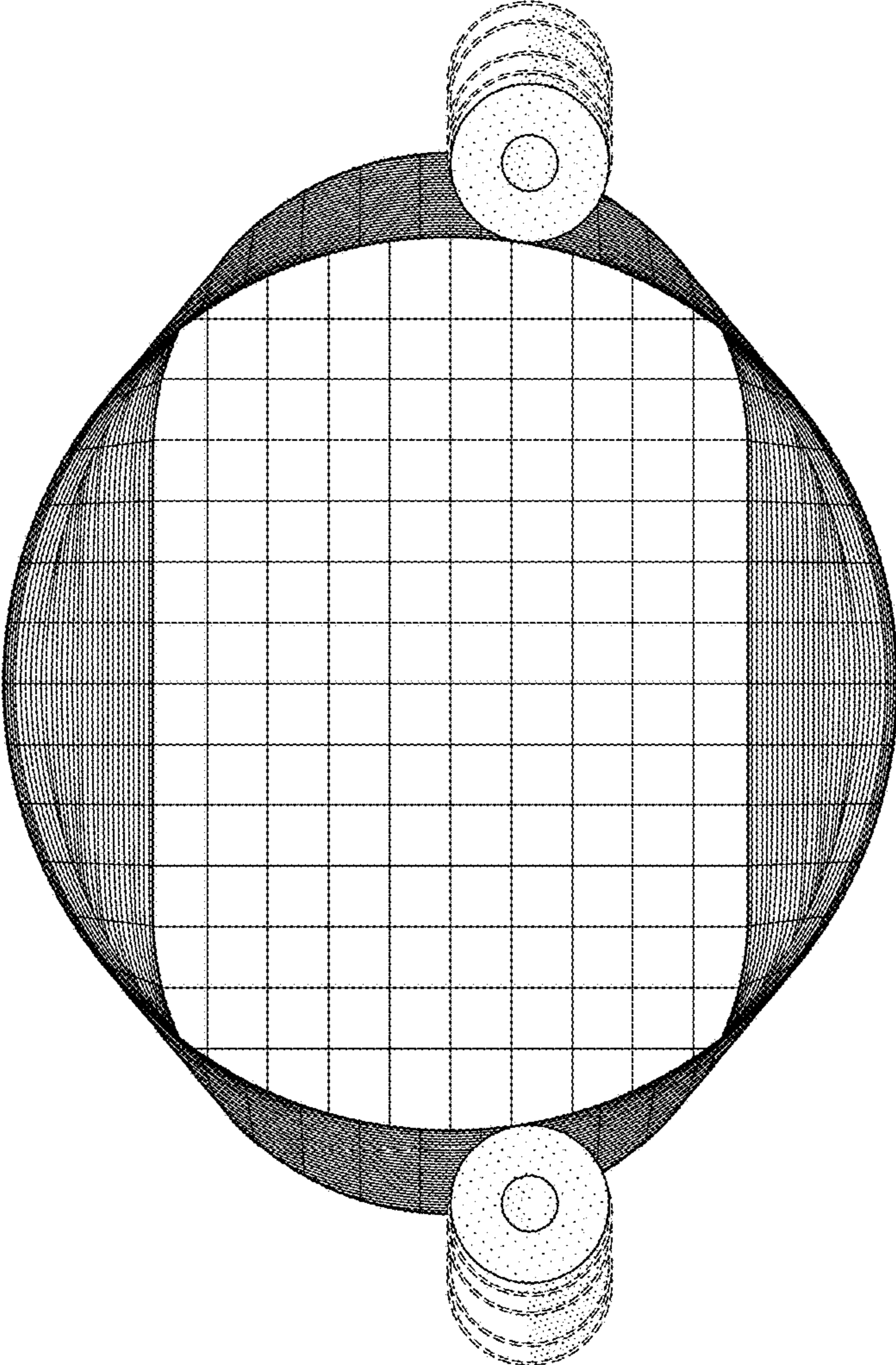


FIG. 3



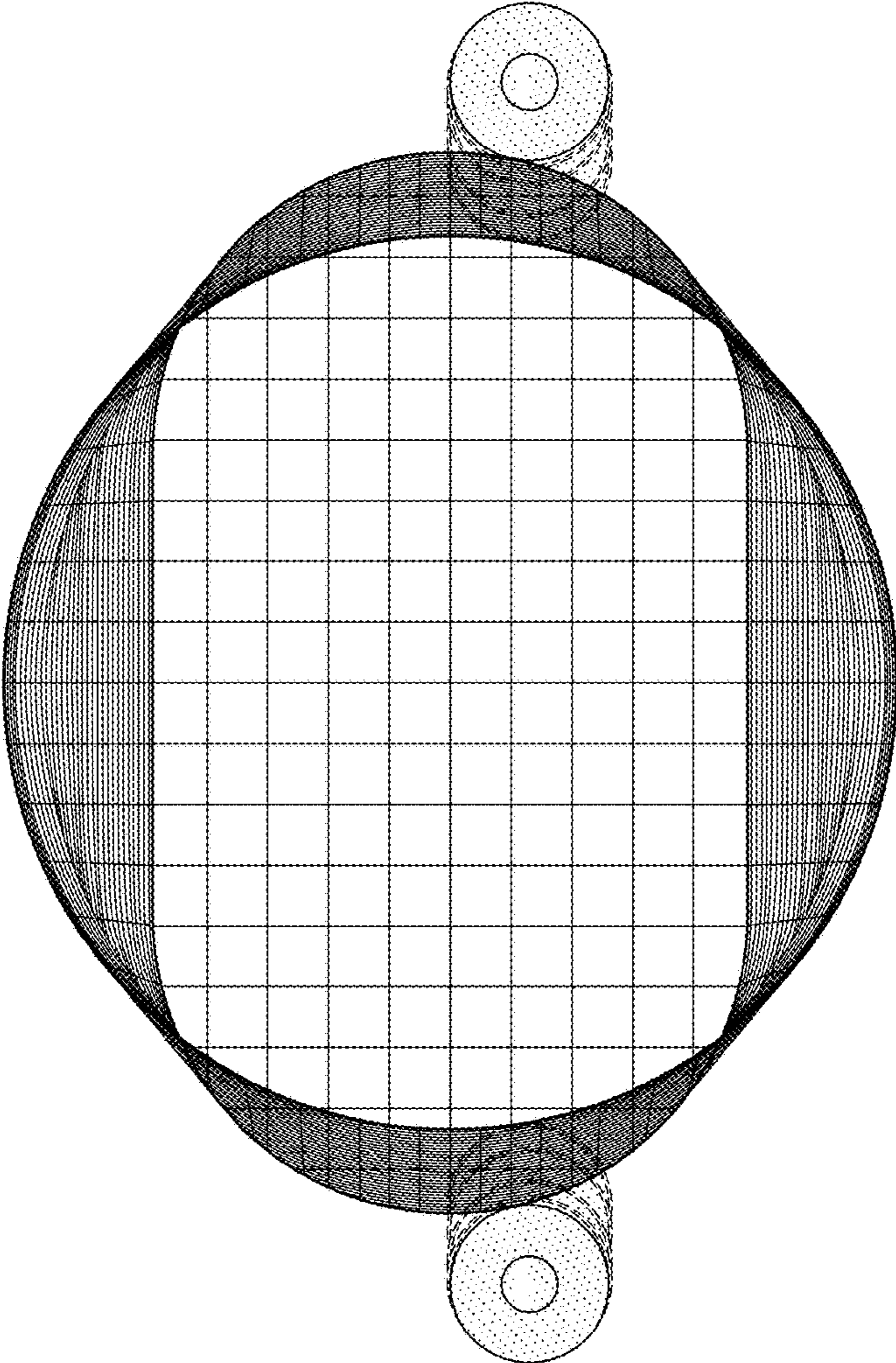


FIG. 4

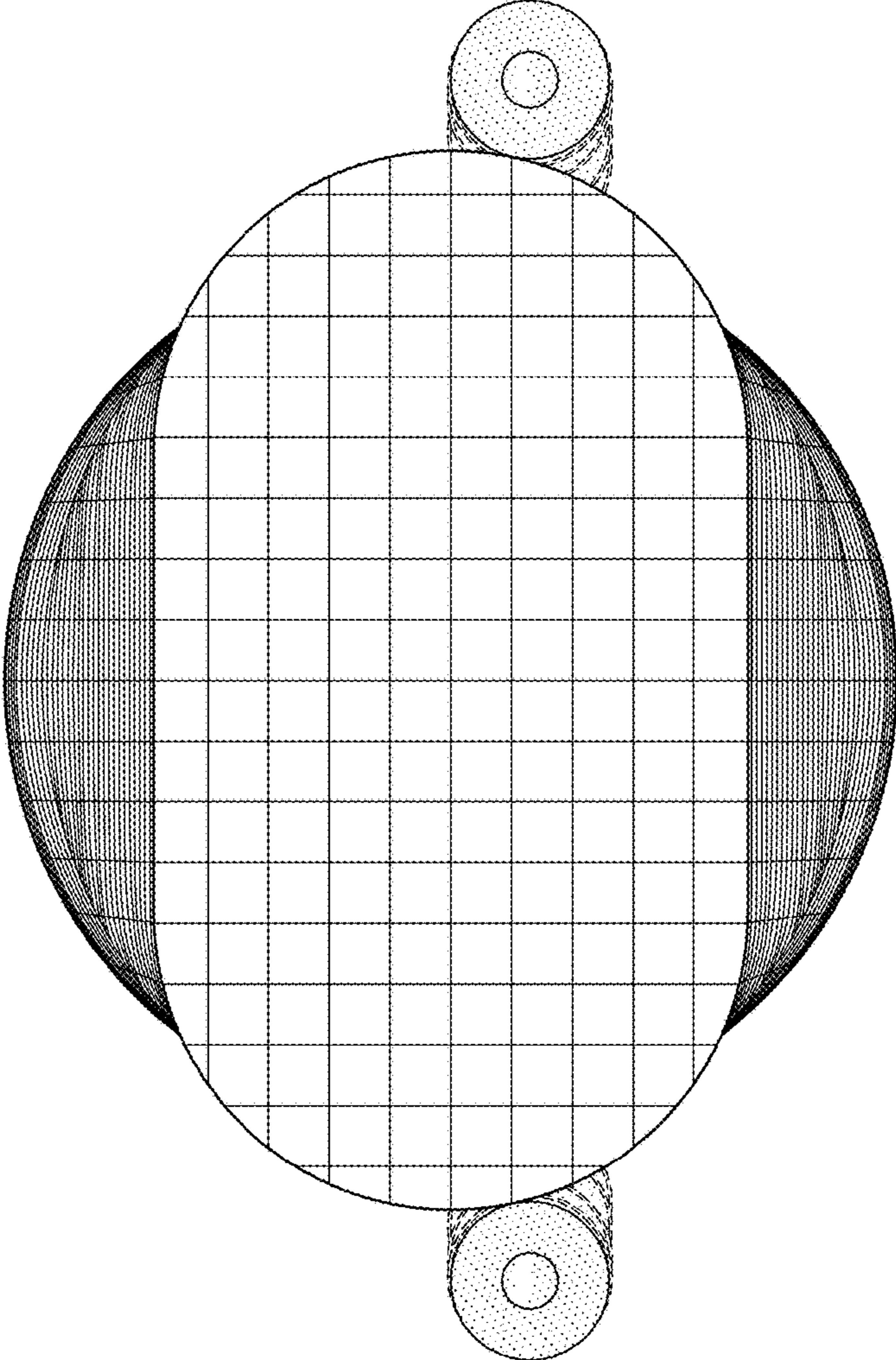


FIG. 5

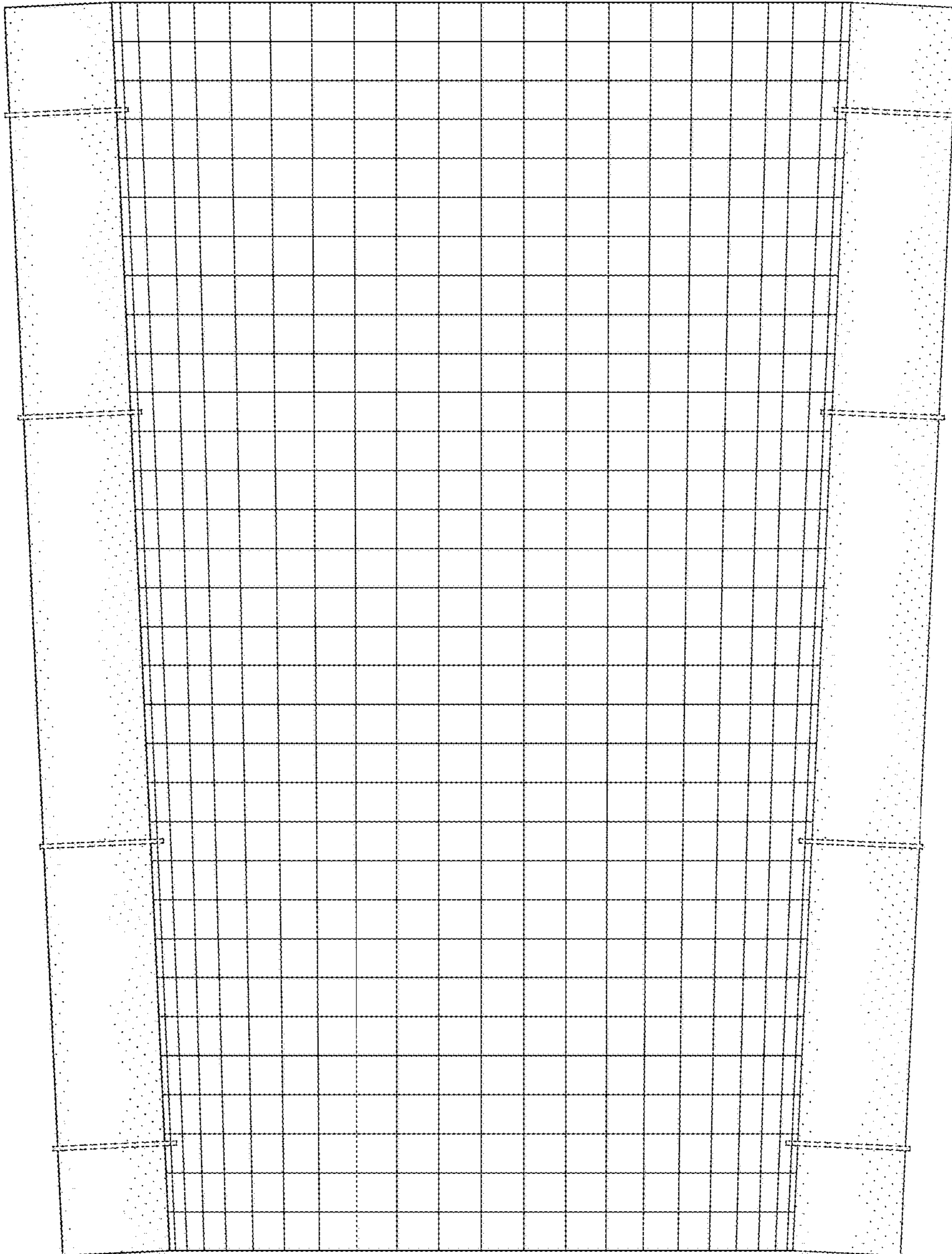


FIG. 6



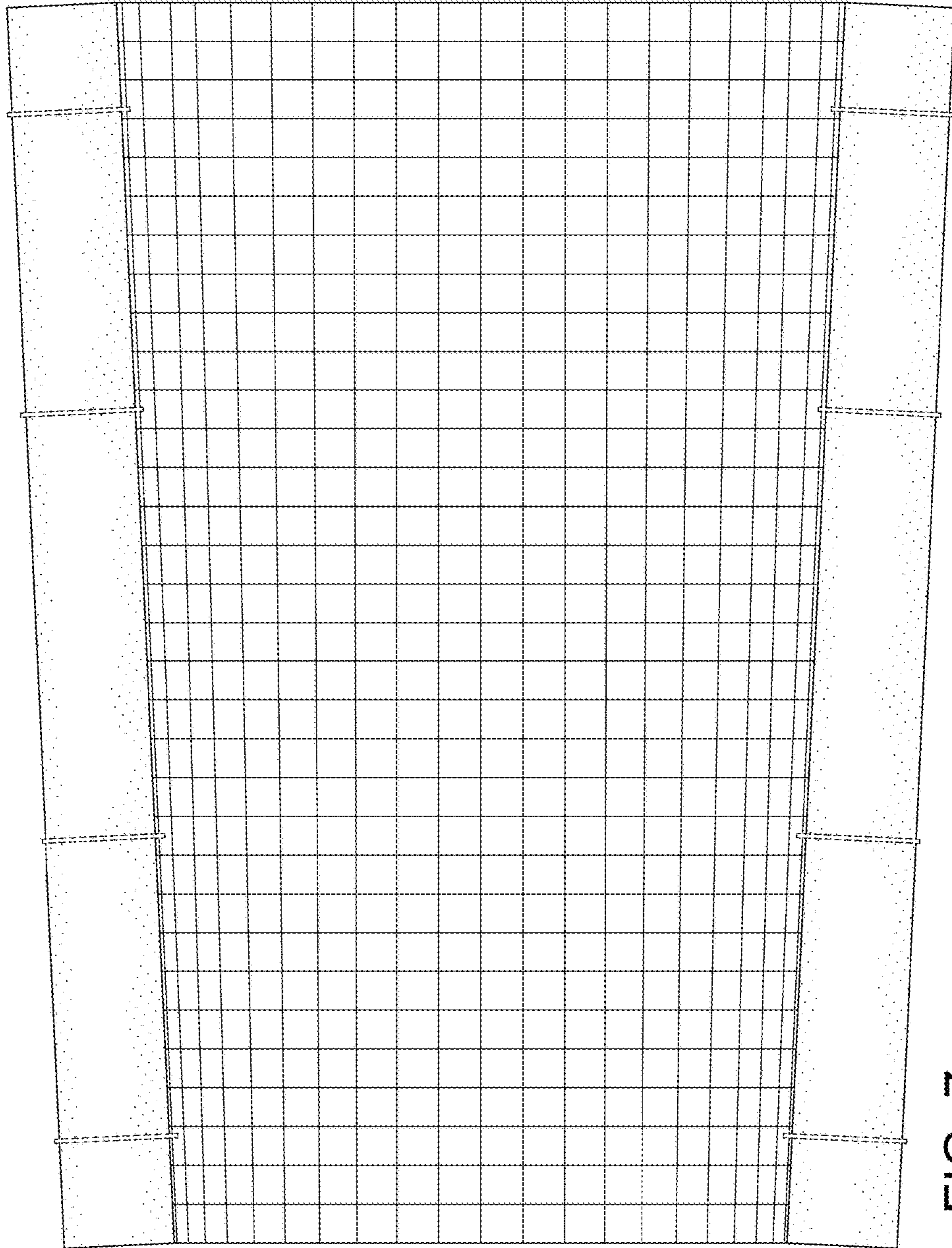


FIG. 7

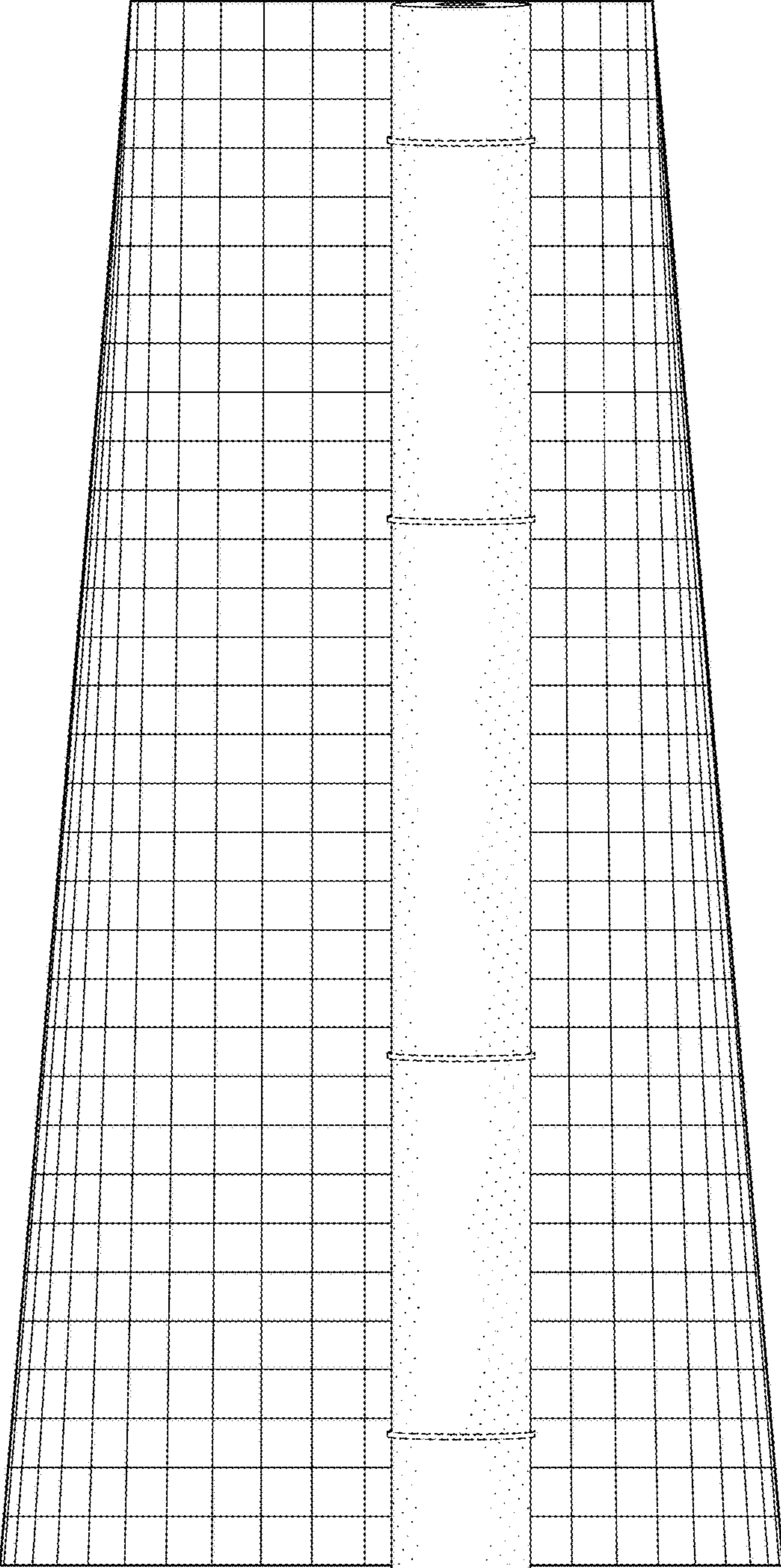


FIG. 8