



US00D854118S

(12) **United States Design Patent**
Chang et al.

(10) **Patent No.:** **US D854,118 S**

(45) **Date of Patent:** **** Jul. 16, 2019**

(54) **INSECT TRAP**

(71) Applicant: **SEOUL VIOSYS CO., LTD.**,
Gyeonggi-Do (KR)

(72) Inventors: **Sang Hyun Chang**, Ansan-si (KR);
Sung Il Park, Ansan-si (KR); **Si Ho Yu**,
Ansan-si (KR); **Chung Hoon Lee**,
Ansan-si (KR)

(**) Term: **15 Years**

(21) Appl. No.: **35/504,601**

(22) Filed: **Sep. 15, 2017**

(80) **Hague Agreement Data**

Int. Filing Date: **Sep. 15, 2017**
Int. Reg. No.: **DM/098313**
Int. Reg. Date: **Sep. 15, 2017**
Int. Reg. Pub. Date: **Mar. 16, 2018**

(51) **LOC (11) Cl.** **22-06**

(52) **U.S. Cl.**
USPC **D22/122**

(58) **Field of Classification Search**
USPC D22/119-124
CPC A01M 1/02; A01M 1/14; A01M 2200/012
See application file for complete search history.

(56) **References Cited**

U.S. PATENT DOCUMENTS

D466,578 S * 12/2002 Wilgus D22/120
D484,562 S * 12/2003 Casteel D22/122
D612,902 S * 3/2010 Fleming D22/123
D634,808 S * 3/2011 Tsai D22/122
D660,395 S * 5/2012 Jan D22/123

D678,457 S * 3/2013 English, II D22/122
D744,060 S * 11/2015 Mackay D22/122
D775,306 S * 12/2016 Bodge D22/121
D777,291 S * 1/2017 Seaton D22/122
D786,389 S * 5/2017 Zemel D22/122

* cited by examiner

Primary Examiner — Michael A. Pratt

(57) **CLAIM**

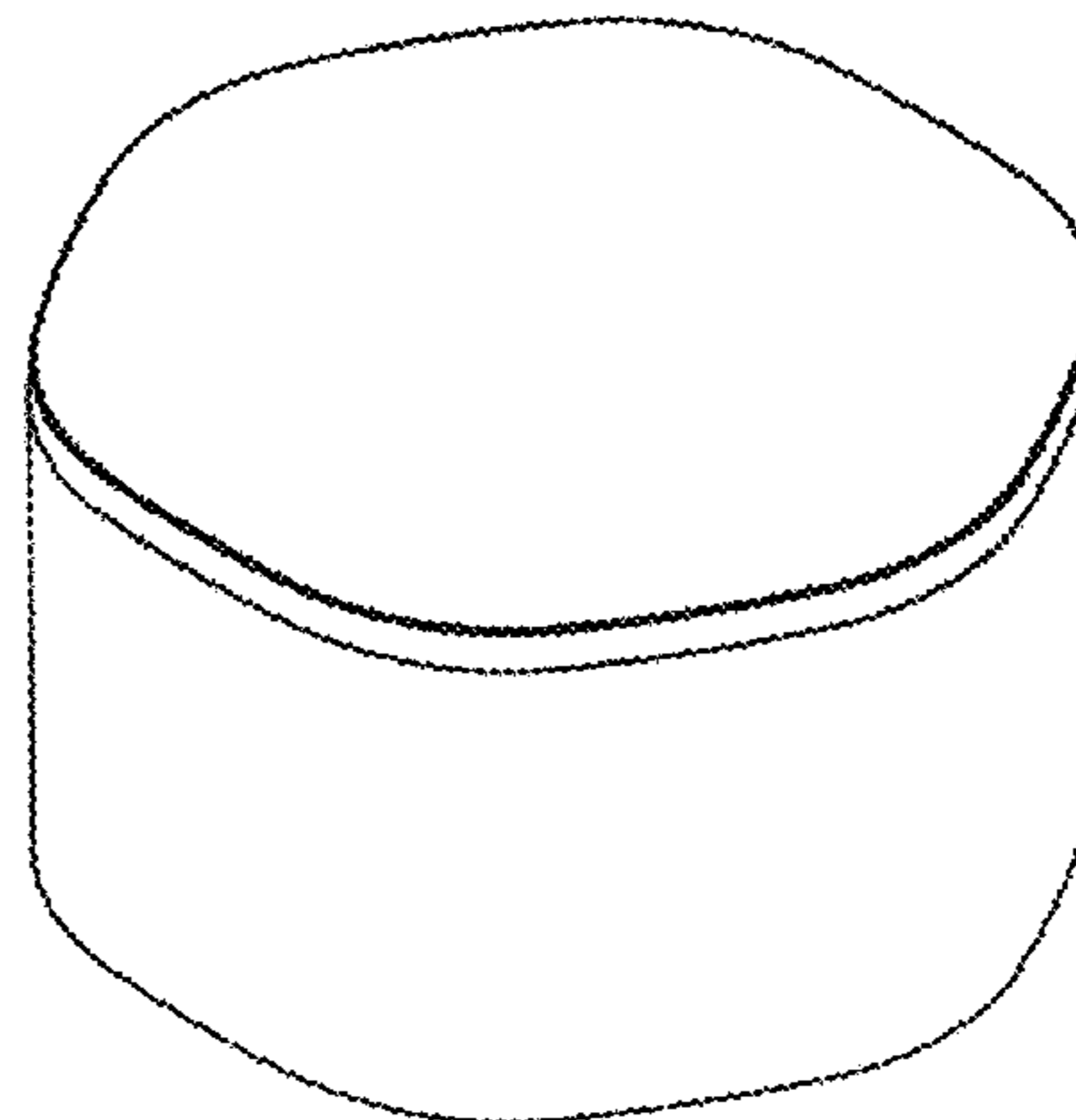
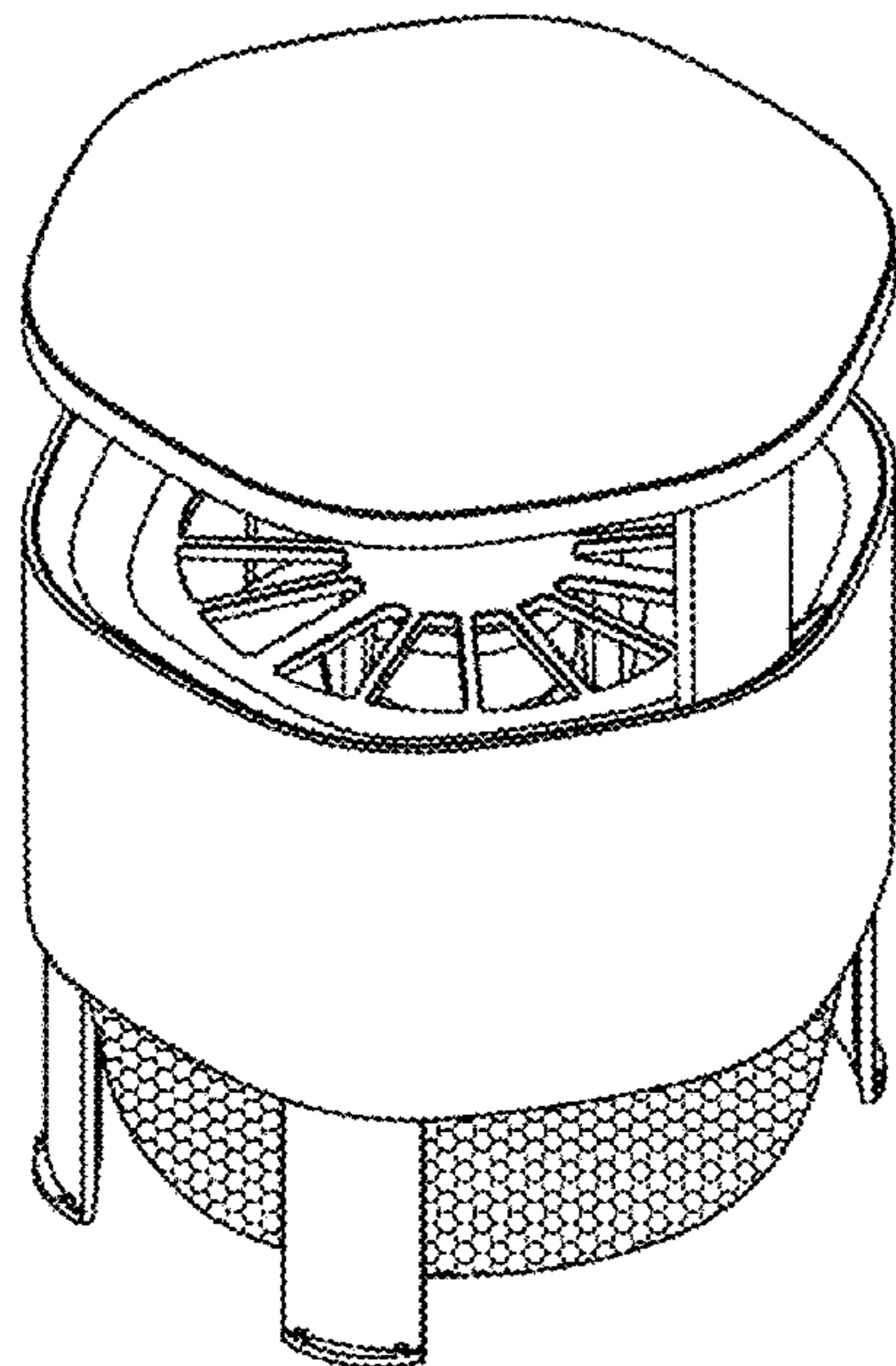
The ornamental design for an insect trap, as shown and described.

DESCRIPTION

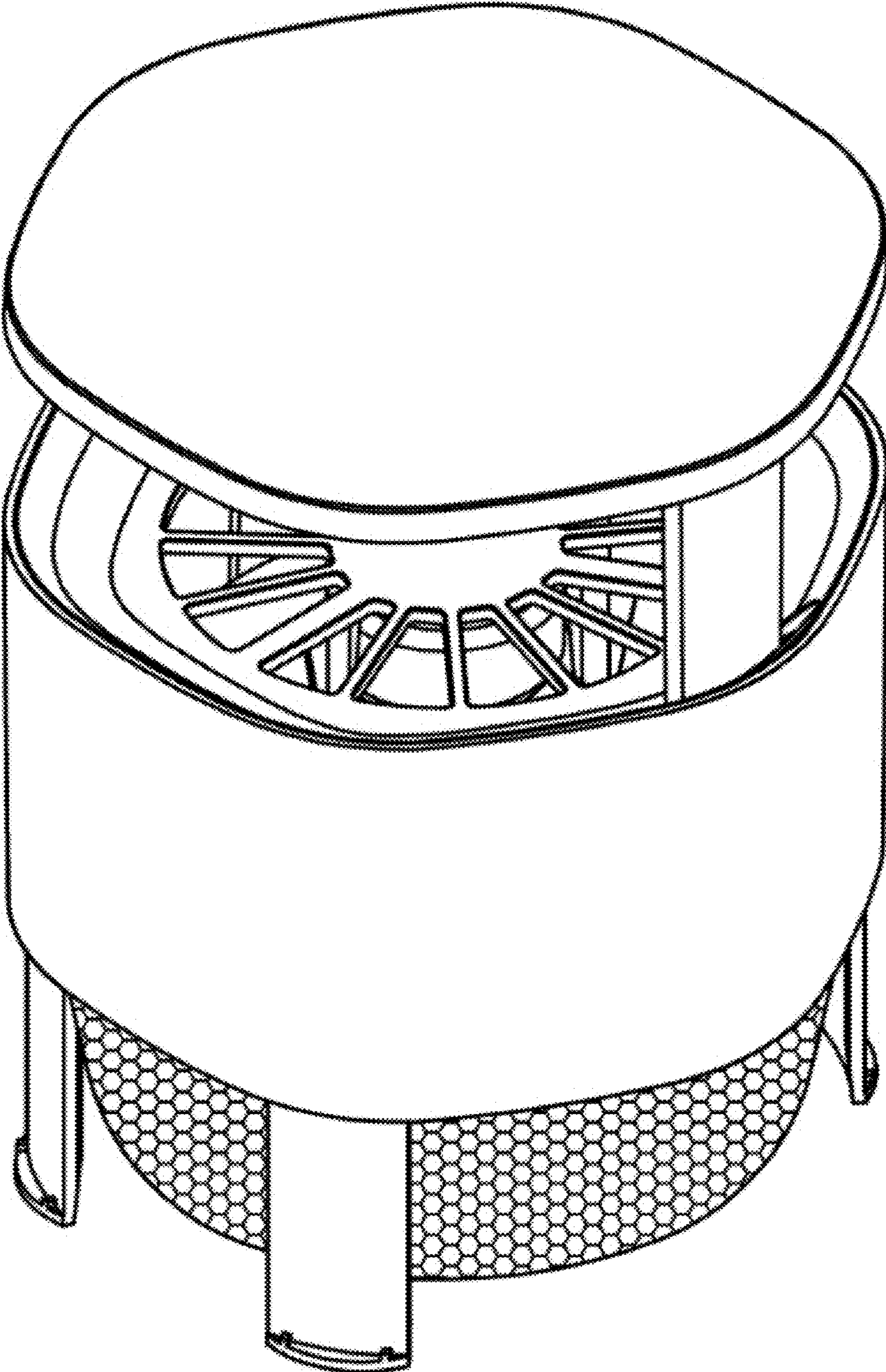
- 1. Insect trap
- 1.1 : Perspective
- 1.2 : Front
- 1.3 : Back
- 1.4 : Left
- 1.5 : Right
- 1.6 : Top
- 1.7 : Bottom
- 1.8 : Reference
- 1.9 : Reference
- 1.10 : Reference

Reproduction **1.8** is a reference perspective view showing the state of closing the cover part, detaching the collecting bucket and folding the legs; reproduction **1.9** is a reference bottom view showing the state of detaching the collecting bucket and folding the legs; reproduction **1.10** is a reference bottom view showing the state of detaching the collecting bucket and unfolding the legs; reproductions **1.8**, **1.9** and **1.10** are for reference purposes only and form no part of the claimed design.

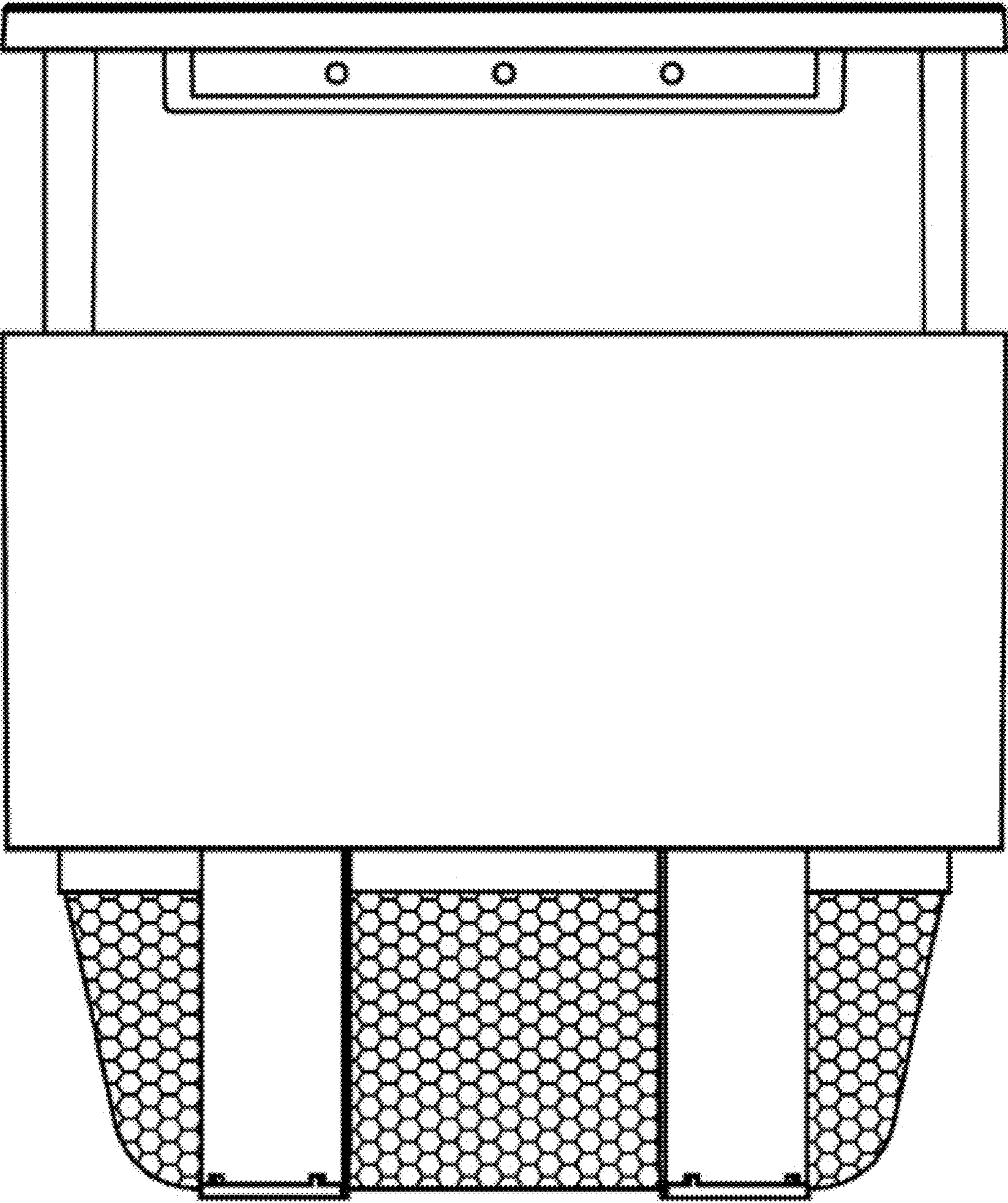
1 Claim, 10 Drawing Sheets



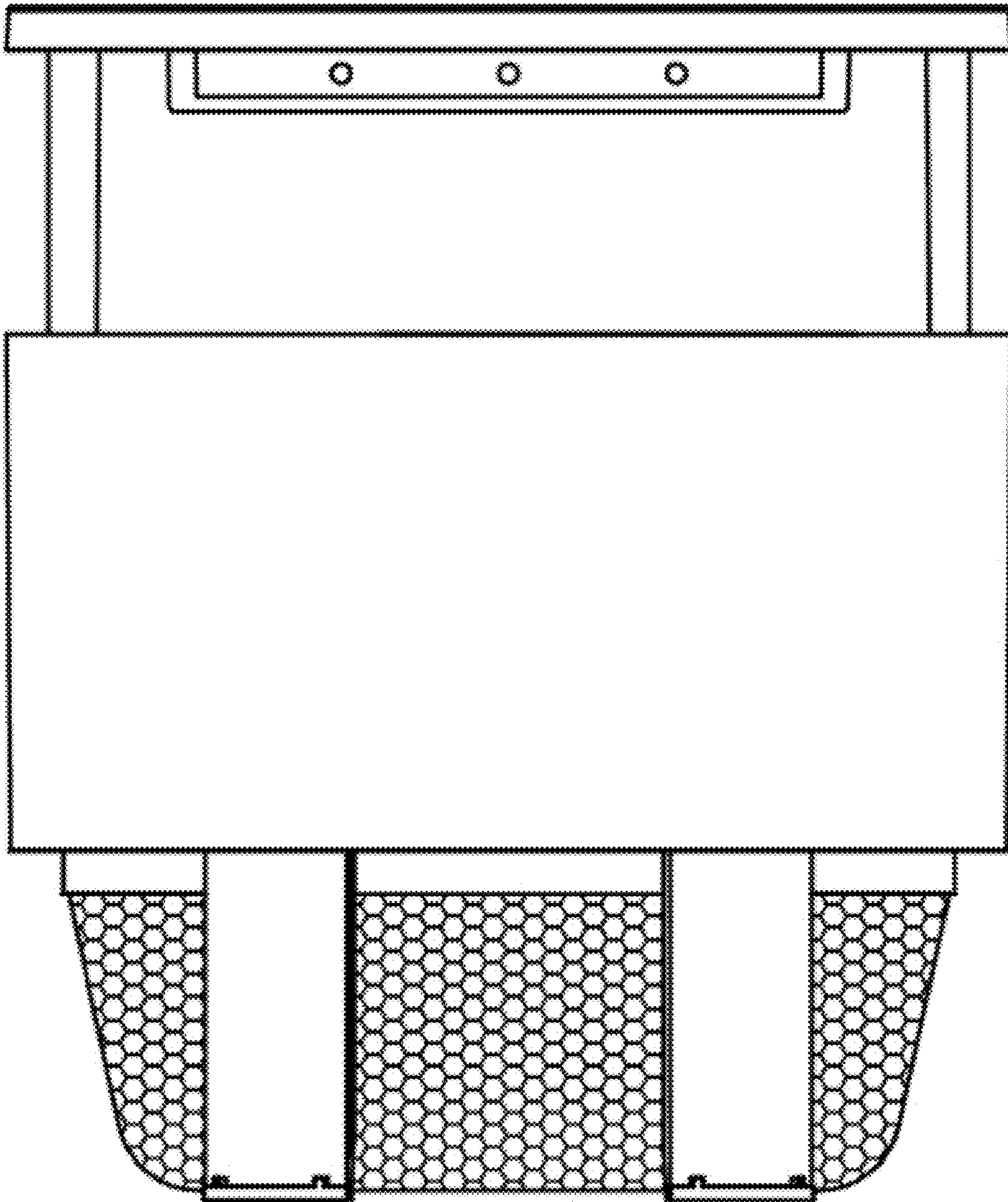
1.1



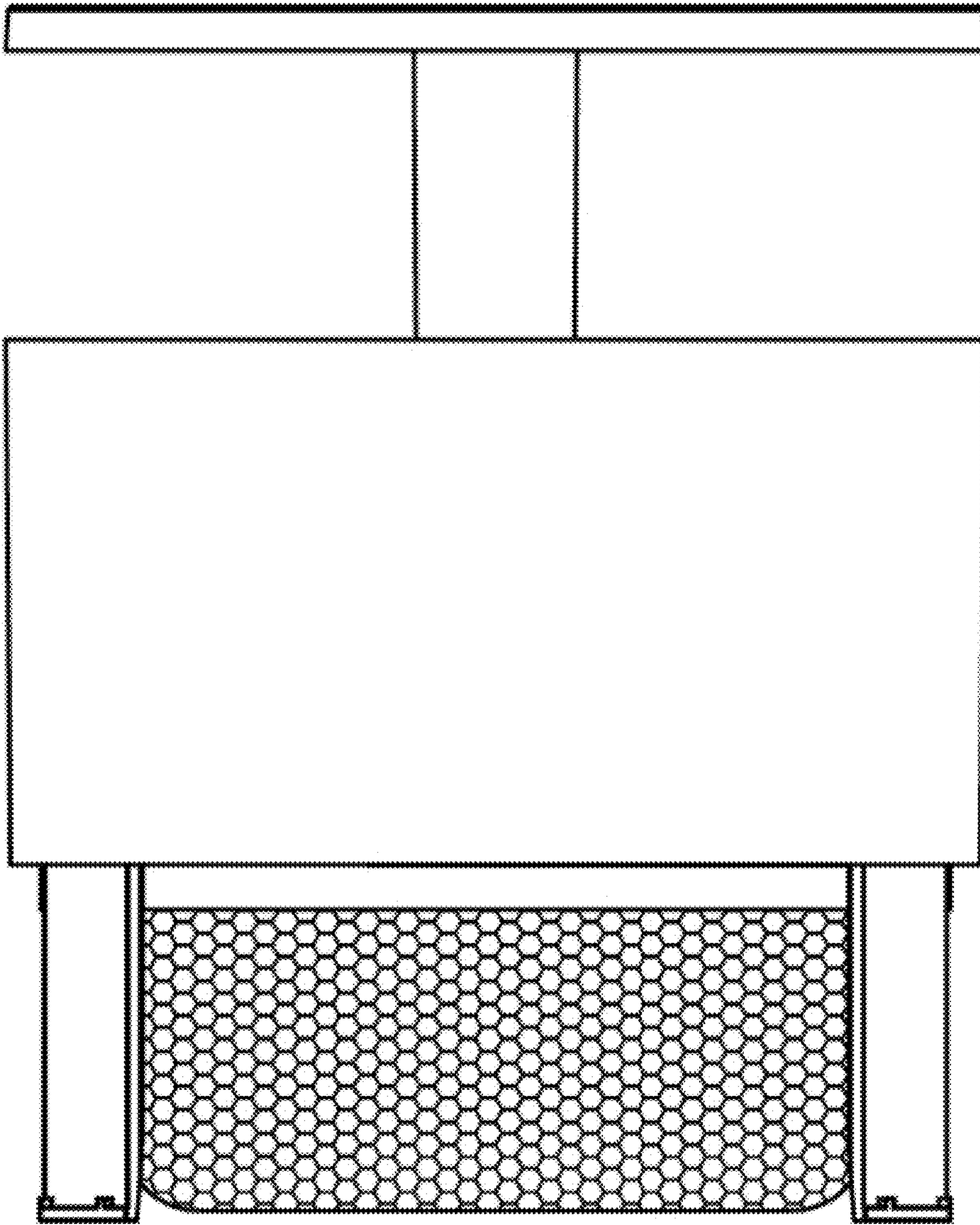
1.2



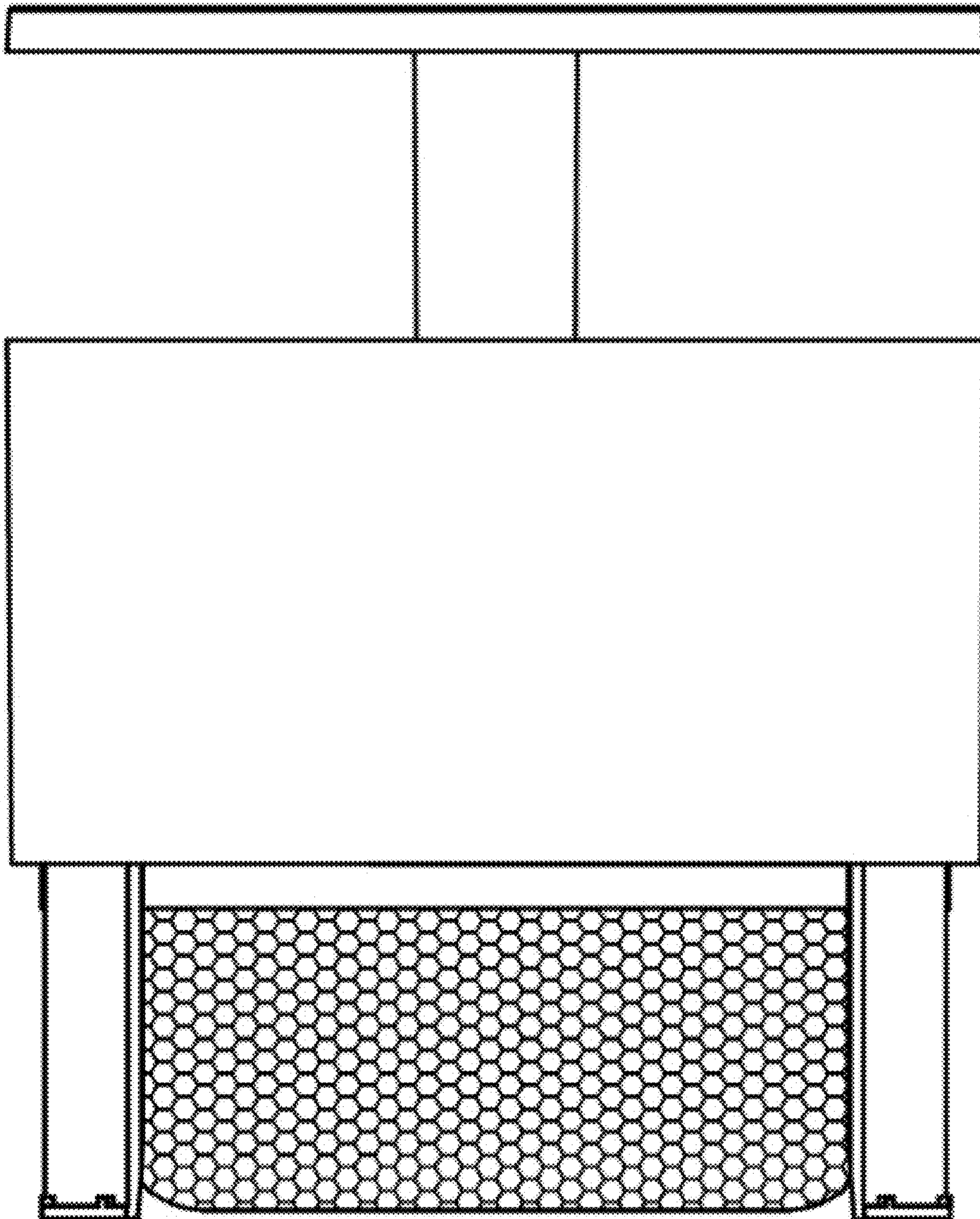
1.3



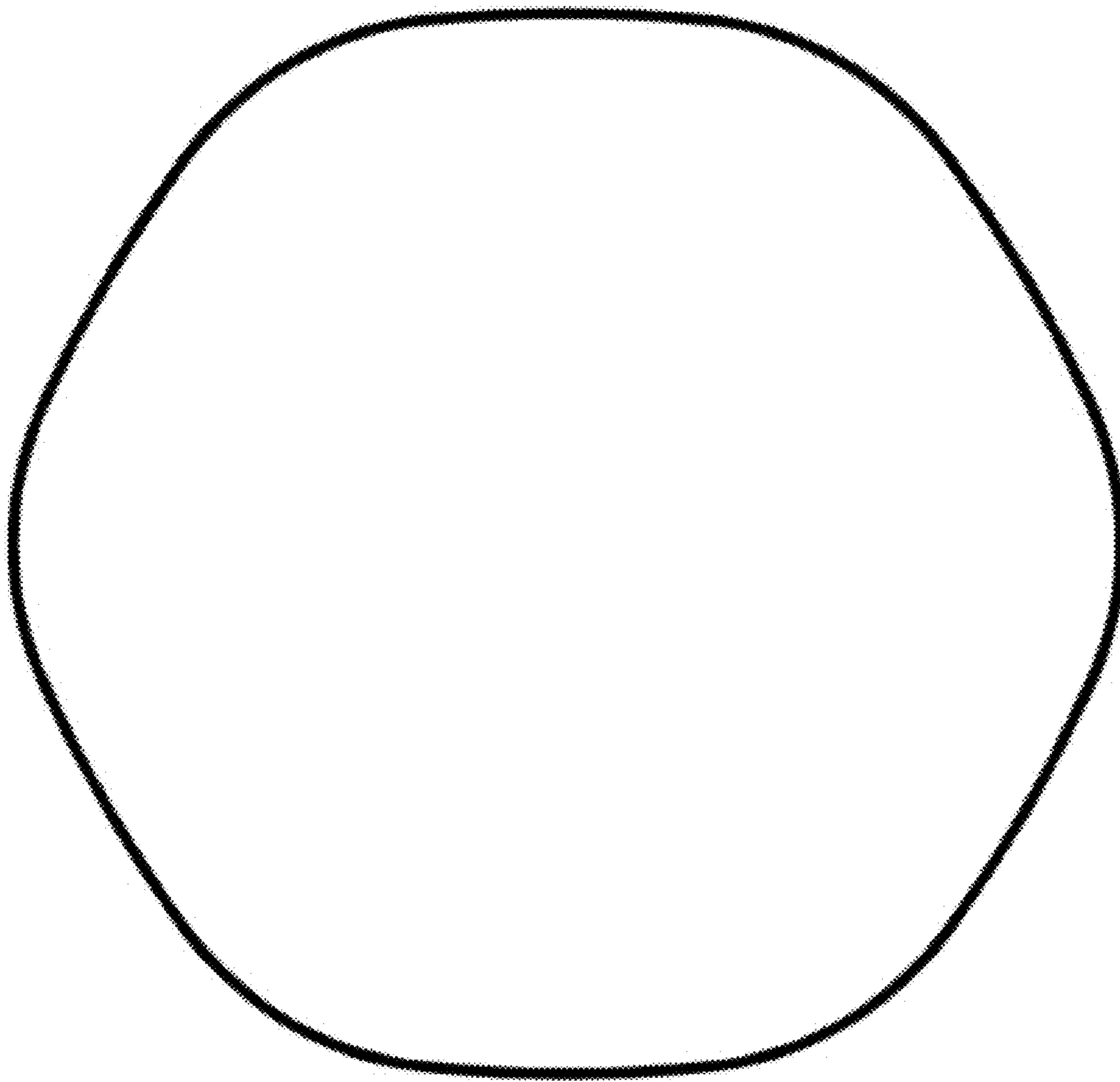
1.4



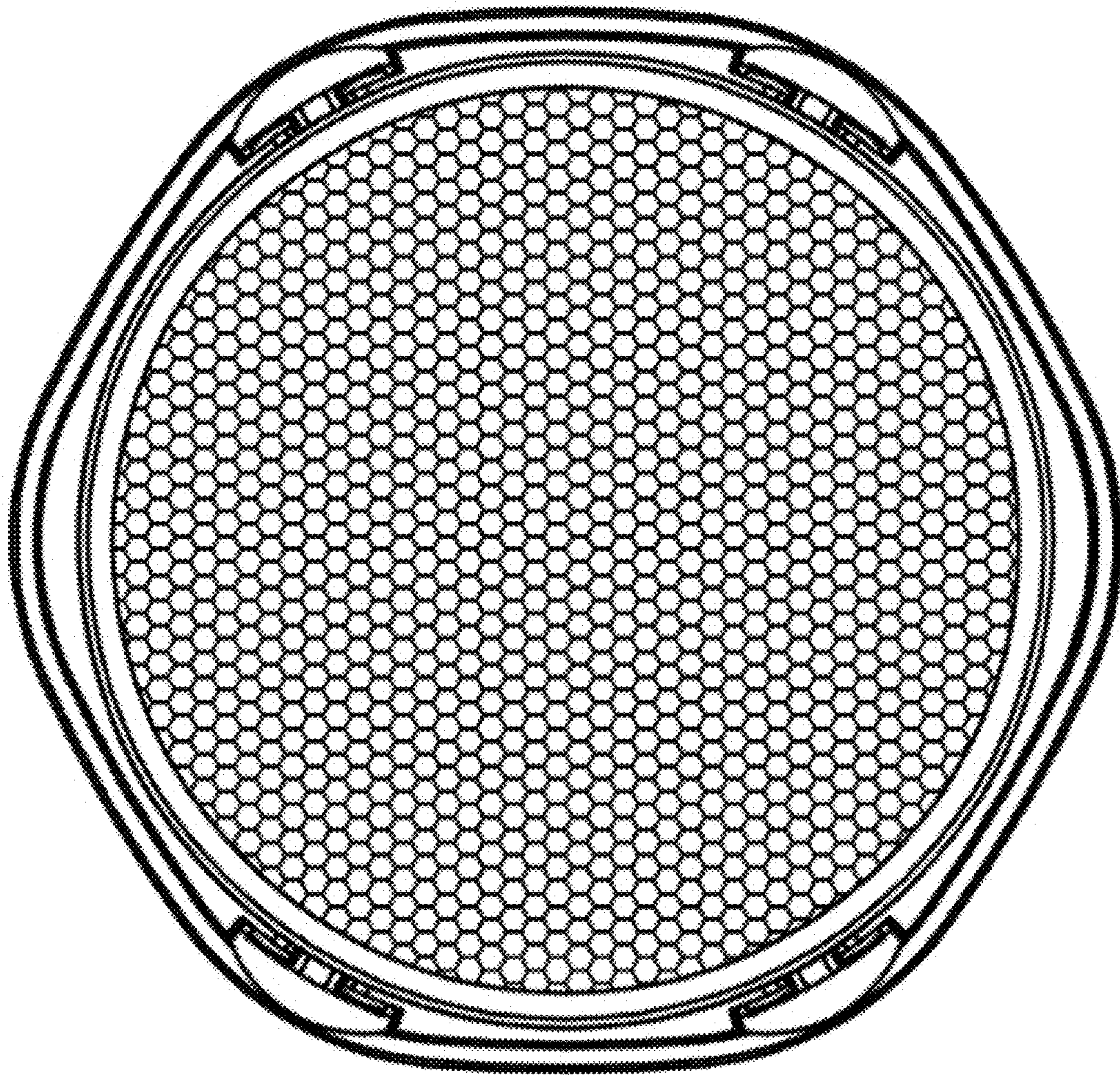
1.5



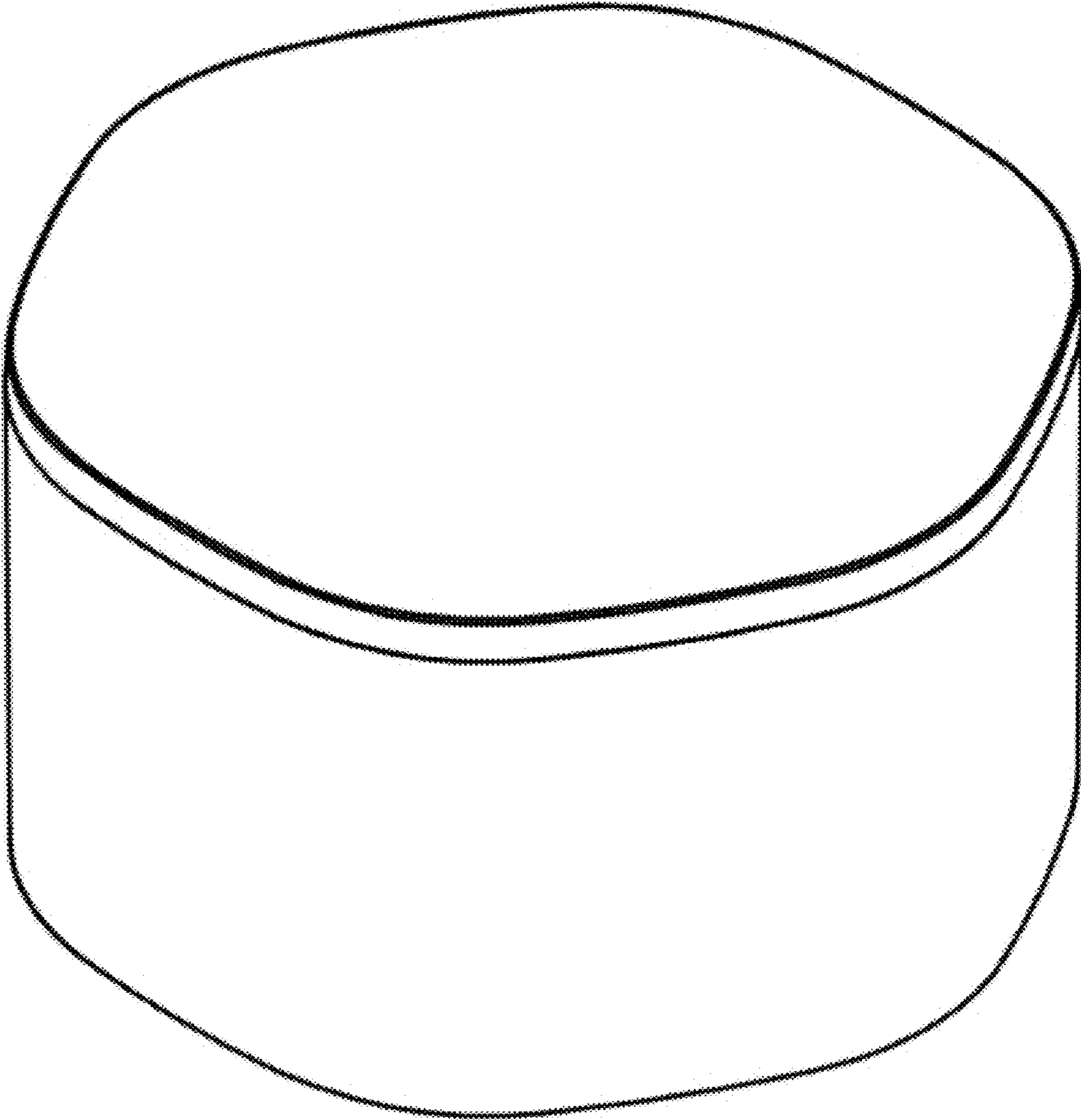
1.6



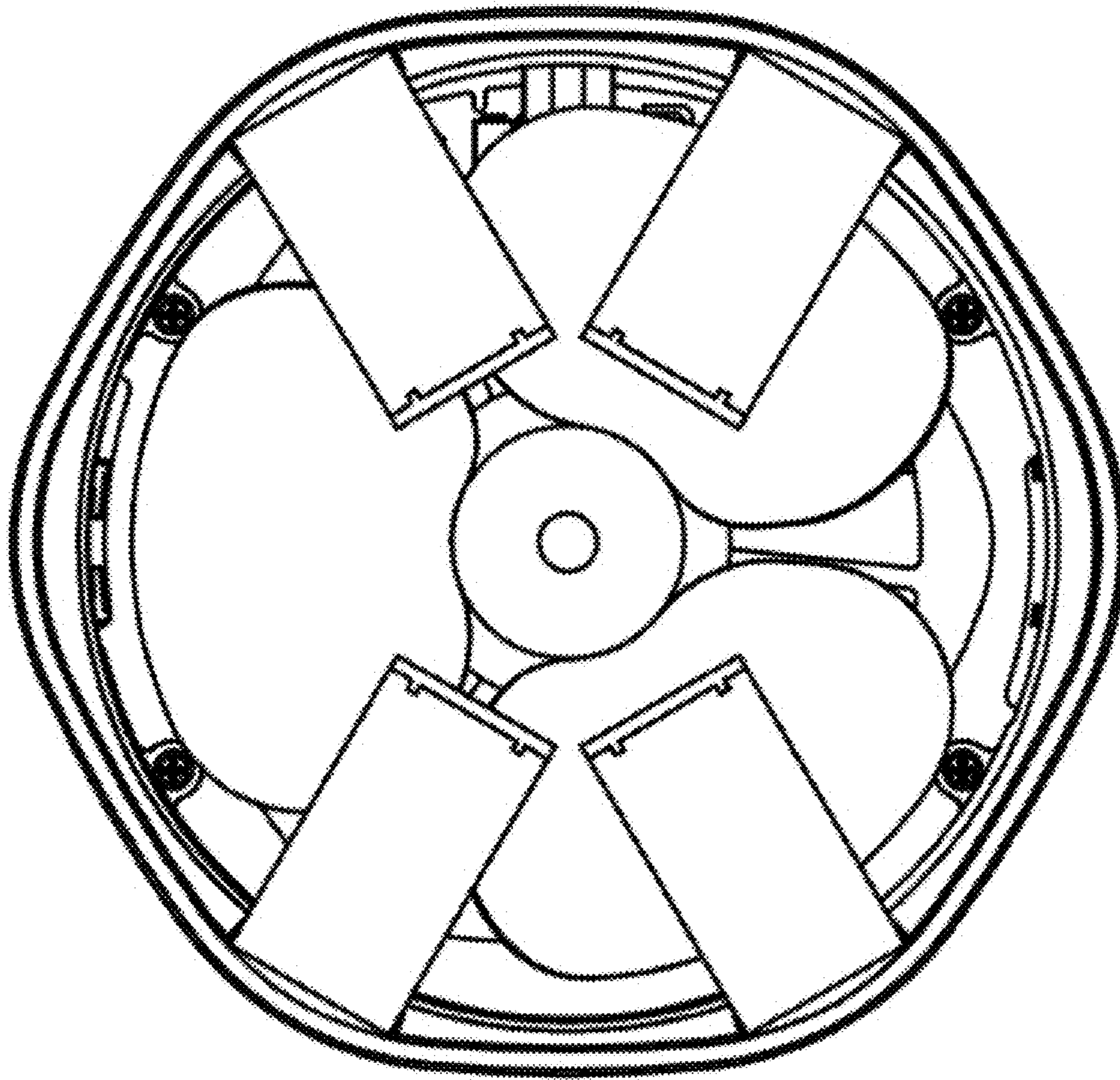
1.7



1.8



1.9



1.10

