



US00D854117S

(12) **United States Design Patent**
Chang

(10) **Patent No.:** **US D854,117 S**
(45) **Date of Patent:** **** Jul. 16, 2019**

(54) **INSECT TRAP**

CPC A01M 1/02; A01M 1/14; A01M 2200/012
See application file for complete search history.

(71) Applicant: **SEOUL VIOSYS CO., LTD.**,
Gyeonggi-Do (KR)

(56) **References Cited**

(72) Inventor: **Sang Hyun Chang**, Ansan-si (KR)

U.S. PATENT DOCUMENTS

(**) Term: **15 Years**

6,393,759 B1 * 5/2002 Brown A01M 1/023
43/113
10,104,879 B2 * 10/2018 McGowan A01M 1/145
10,130,090 B1 * 11/2018 Falco, Jr. A01M 1/02
10,143,191 B2 * 12/2018 Studer A01M 1/145

(21) Appl. No.: **35/504,508**

* cited by examiner

(22) Filed: **Aug. 29, 2017**

Primary Examiner — Michael A. Pratt

(80) **Hague Agreement Data**

Int. Filing Date: **Aug. 29, 2017**
Int. Reg. No.: **DM/098199**
Int. Reg. Date: **Aug. 29, 2017**
Int. Reg. Pub. Date: **Mar. 2, 2018**

(57) **CLAIM**

The ornamental design for an insect trap, as shown and described.

(30) **Foreign Application Priority Data**

Mar. 2, 2017 (KR) 30 2017 0009861

DESCRIPTION

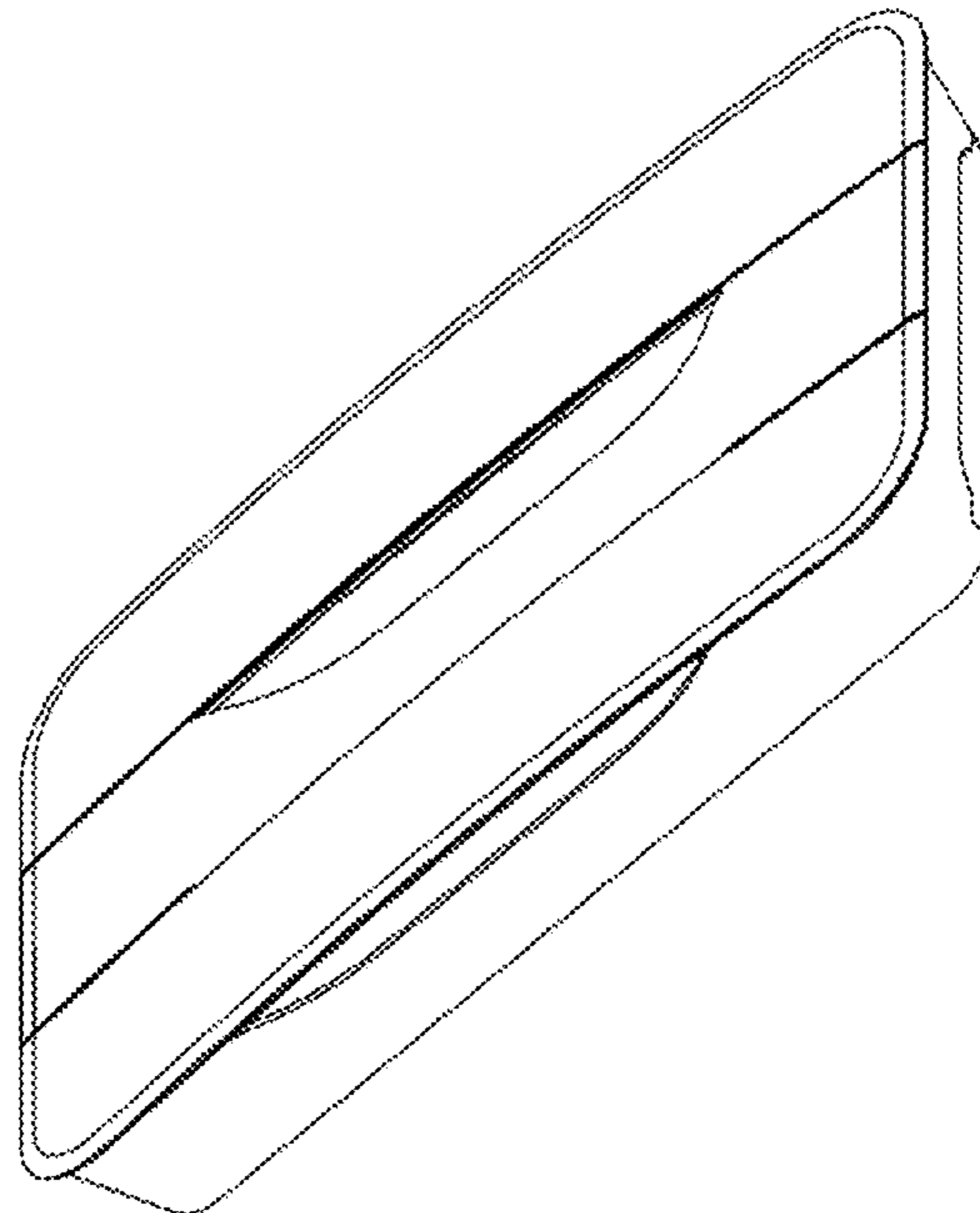
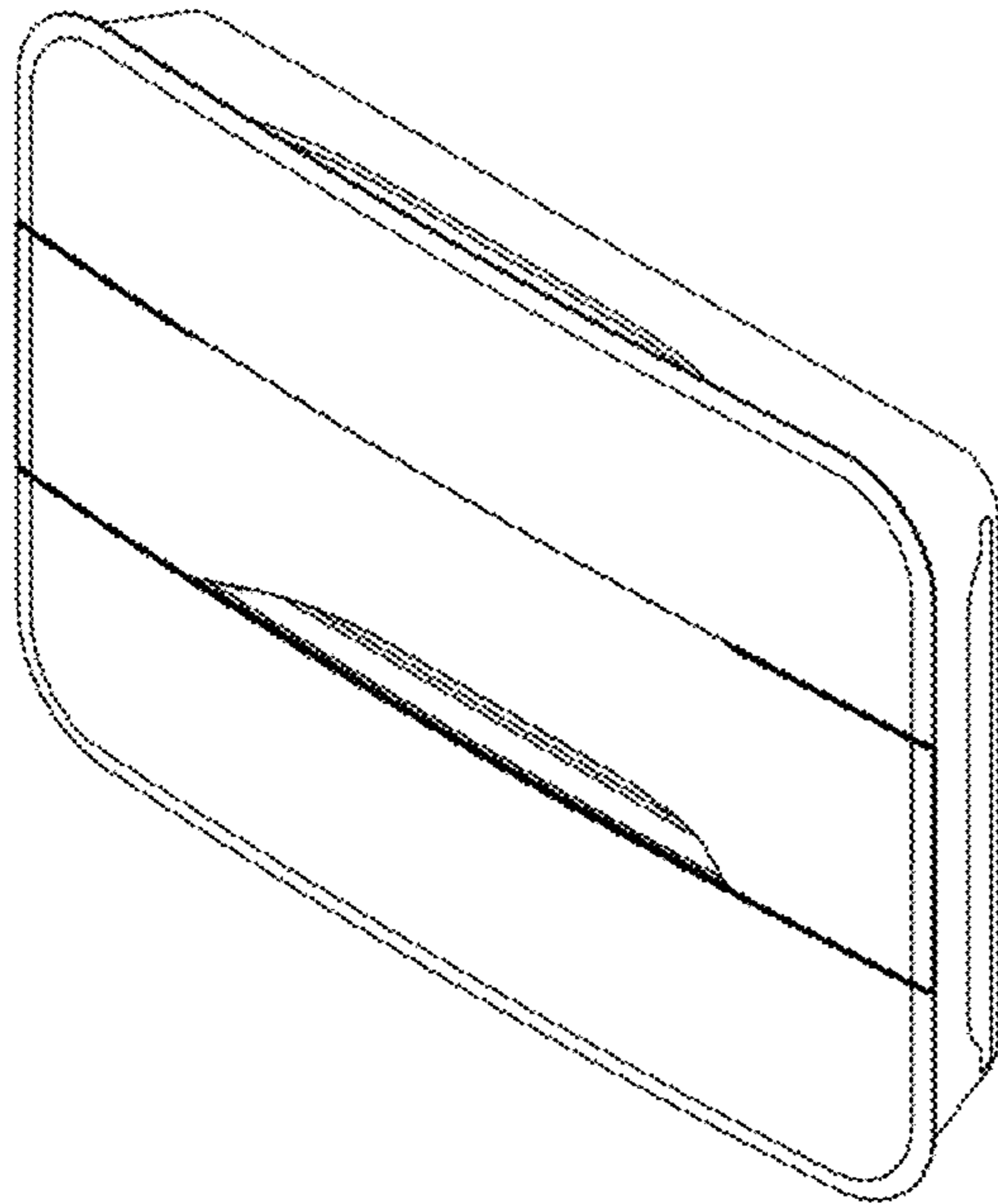
(51) **LOC (11) Cl.** **22-06**

(52) **U.S. Cl.**
USPC **D22/122**

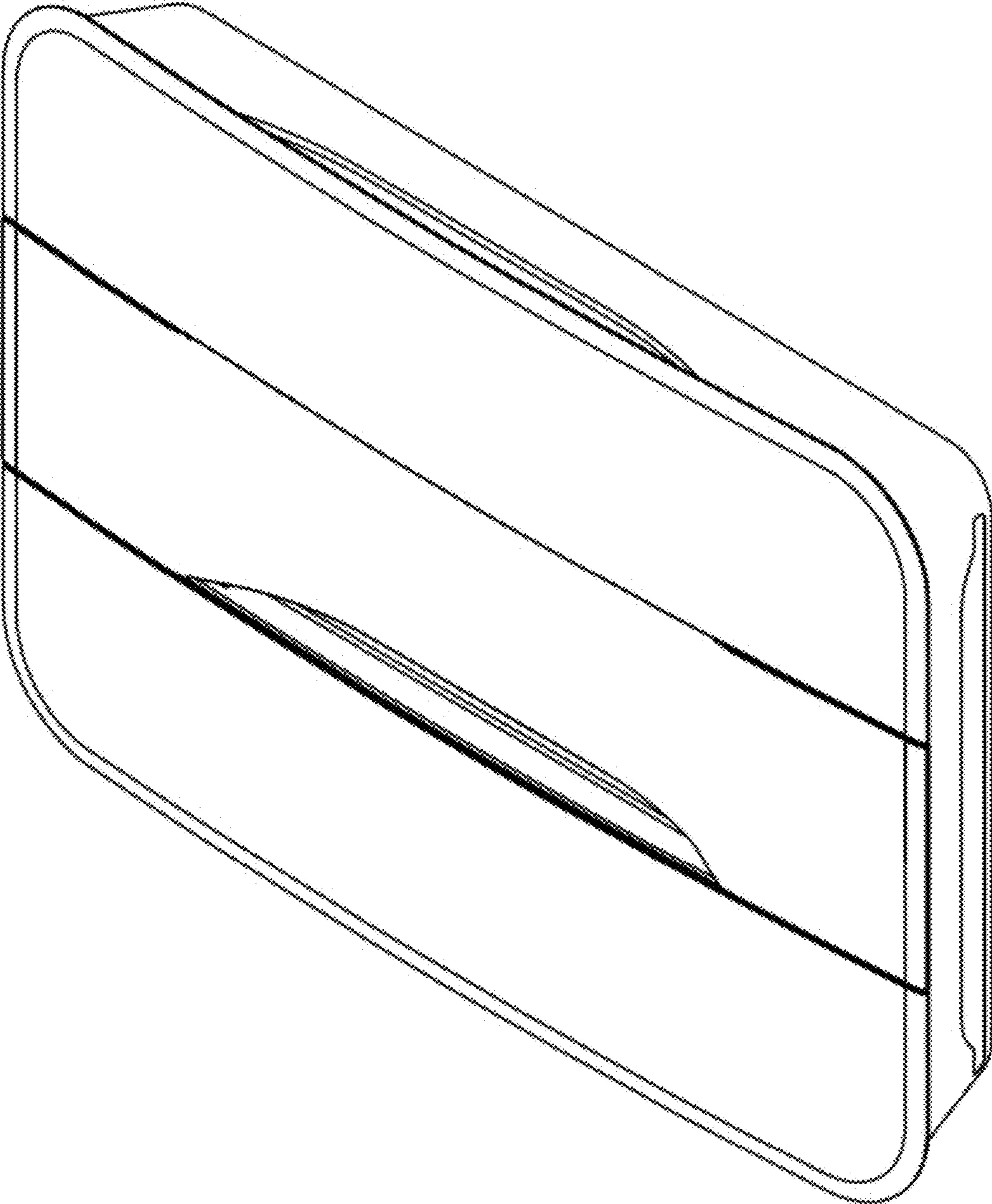
(58) **Field of Classification Search**
USPC D22/119–124

- 1. Insect trap
- 1.1 : Perspective
- 1.2 : Perspective
- 1.3 : Front
- 1.4 : Back
- 1.5 : Left
- 1.6 : Right
- 1.7 : Top
- 1.8 : Bottom

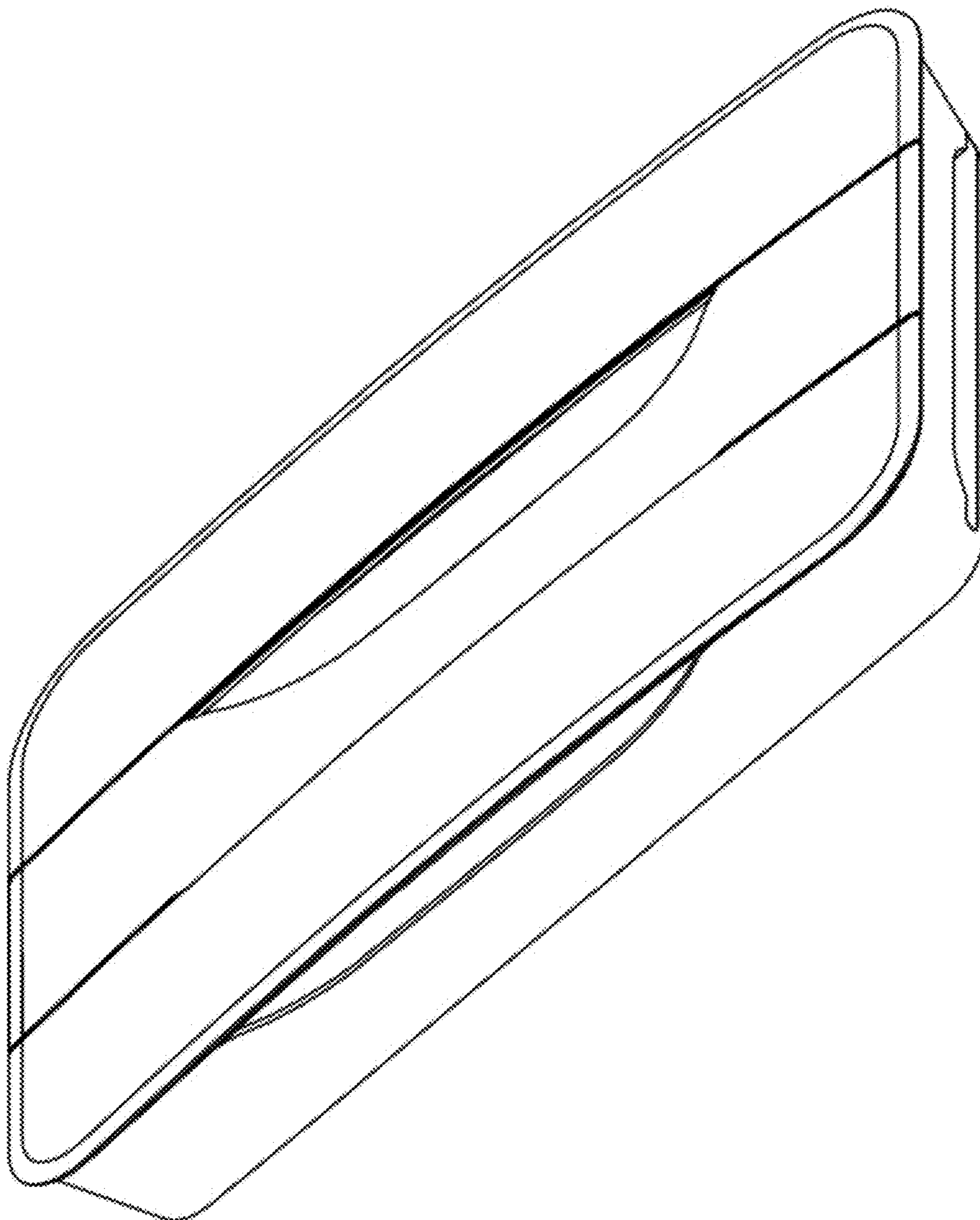
1 Claim, 8 Drawing Sheets



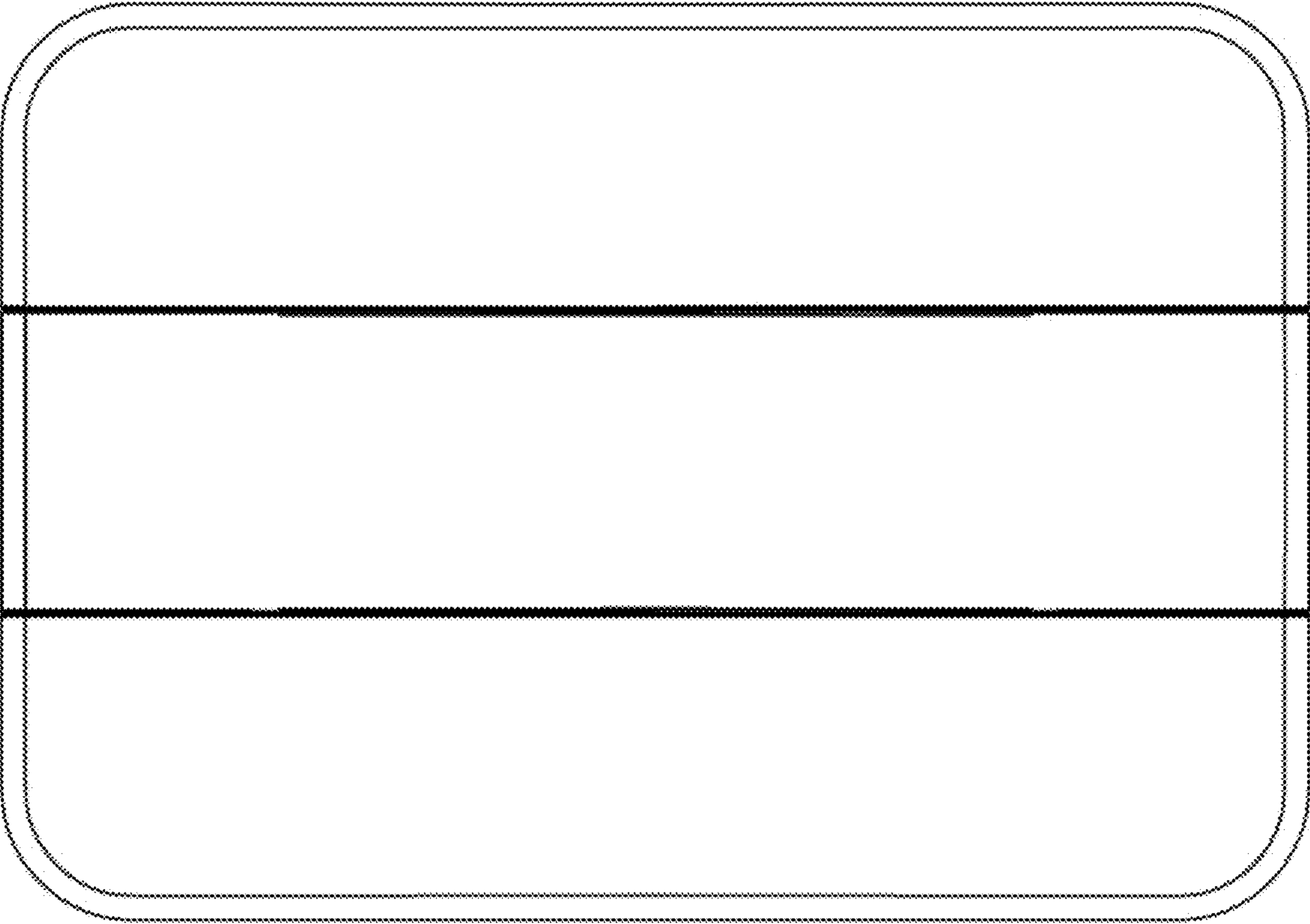
1.1



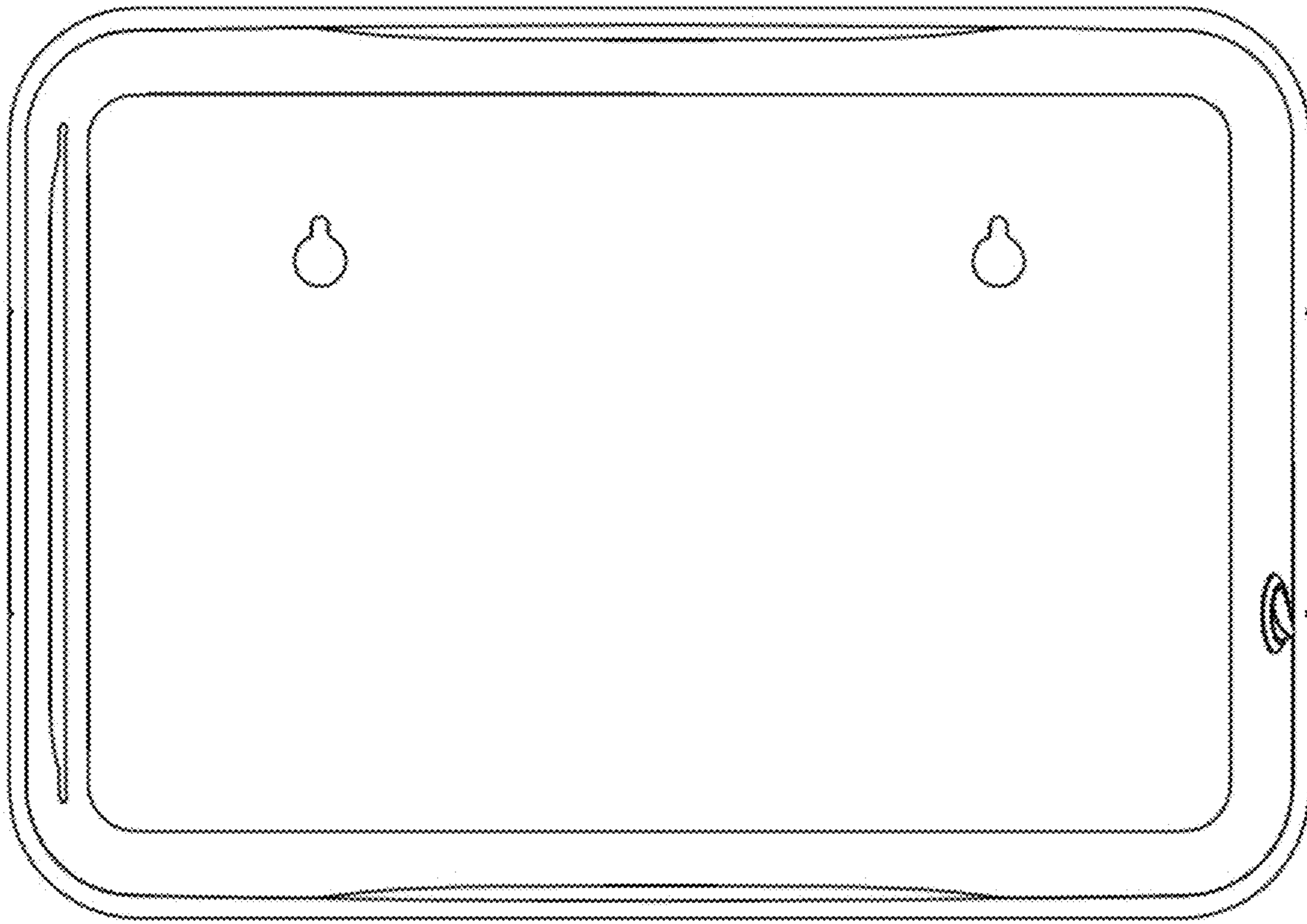
1.2



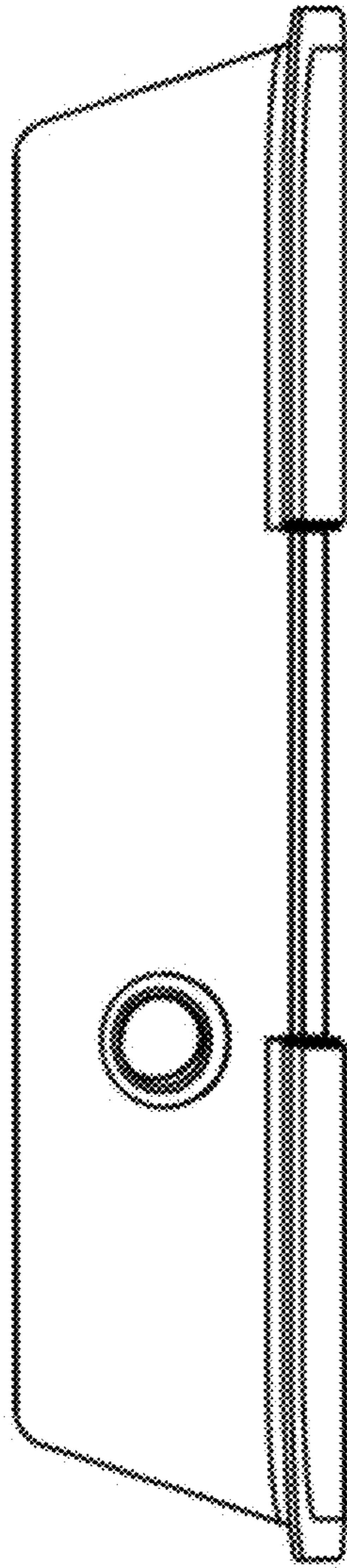
1.3



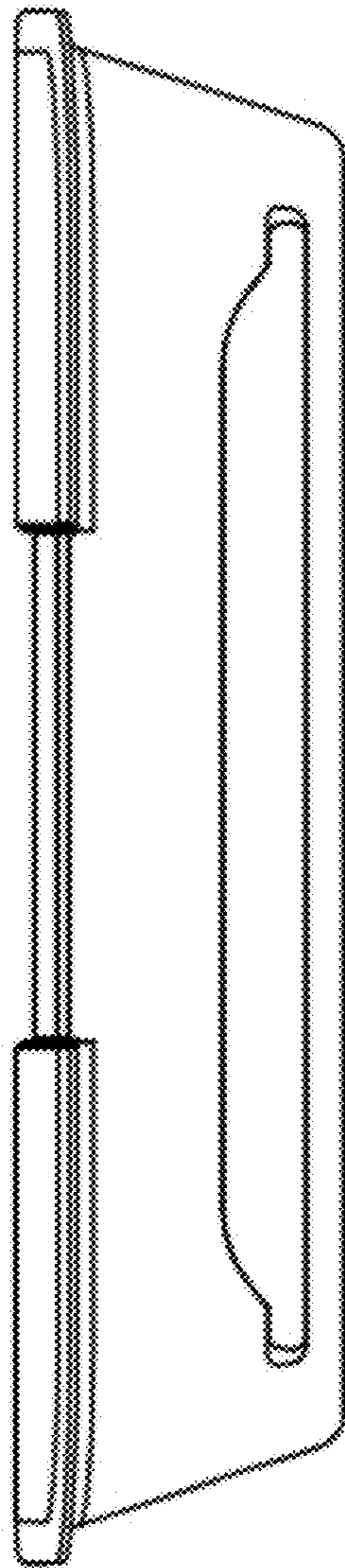
1.4



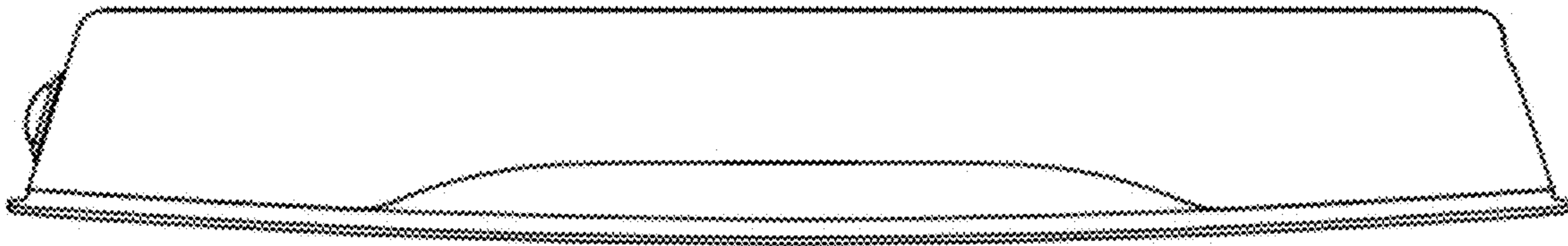
1.5



1.6



1.7



1.8

