



US00D854116S

(12) **United States Design Patent**
Baker

(10) **Patent No.:** **US D854,116 S**

(45) **Date of Patent:** **** Jul. 16, 2019**

(54) **WASP TRAP**

(71) Applicant: **JOBAR INTERNATIONAL, INC.**,
Carson, CA (US)

(72) Inventor: **Tim A. Baker**, Torrance, CA (US)

(73) Assignee: **JOBAR INTERNATIONAL, INC.**,
Carson, CA (US)

(**) Term: **15 Years**

(21) Appl. No.: **29/639,667**

(22) Filed: **Mar. 7, 2018**

(51) **LOC (11) Cl.** **22-06**

(52) **U.S. Cl.**
USPC **D22/122**

(58) **Field of Classification Search**
USPC D22/119–124; 43/107, 112–114, 311,
43/132.1, 136
CPC A01M 1/02; A01M 1/04; A01M 1/223;
A01M 2200/012
See application file for complete search history.

(56) **References Cited**

U.S. PATENT DOCUMENTS

D217,346 S *	4/1970	Andre	D22/123
4,248,005 A *	2/1981	Hedstrom	A01M 1/04
				43/112
D271,612 S *	11/1983	Minick	D22/123
D347,676 S *	6/1994	Van Wallendael	D22/119
D538,880 S *	3/2007	Duston	D22/123
D672,426 S *	12/2012	Davis, Jr.	D22/122
D733,253 S *	6/2015	Oehlschlager	D22/122
D829,301 S *	9/2018	Rocha	D22/122
2007/0006519 A1 *	1/2007	Gunderman, Jr.	A01M 1/223
				43/112
2018/0325097 A1 *	11/2018	Formico	A01M 1/04

* cited by examiner

Primary Examiner — Catherine R Oliver-Garcia

(74) *Attorney, Agent, or Firm* — Lewis Roca Rothgerber
Christie LLP

(57) **CLAIM**

The ornamental design for wasp trap, as shown and described.

DESCRIPTION

FIG. 1 is a top perspective view of a first embodiment of the wasp trap design.
 FIG. 2 is a bottom perspective view of the first embodiment thereof;
 FIG. 3 is a front view of the first embodiment thereof;
 FIG. 4 is a right view of the first embodiment thereof;
 FIG. 5 is a rear view of the first embodiment thereof;
 FIG. 6 is a left view of the first embodiment thereof;
 FIG. 7 is a top view of the first embodiment thereof;
 FIG. 8 is a bottom view of the first embodiment thereof;
 FIG. 9 is a top perspective view of a second embodiment of the wasp trap design.
 FIG. 10 is a bottom perspective view of the second embodiment thereof;
 FIG. 11 is a front view of the second embodiment thereof;
 FIG. 12 is a right view of the second embodiment thereof;
 FIG. 13 is a rear view of the second embodiment thereof;
 FIG. 14 is a left view of the second embodiment thereof;
 FIG. 15 is a top view of the second embodiment thereof;
 and,
 FIG. 16 is a bottom view of the second embodiment thereof.
 The broken lines in the drawings are for illustrative purpose only and form no part of the claimed design.

1 Claim, 16 Drawing Sheets

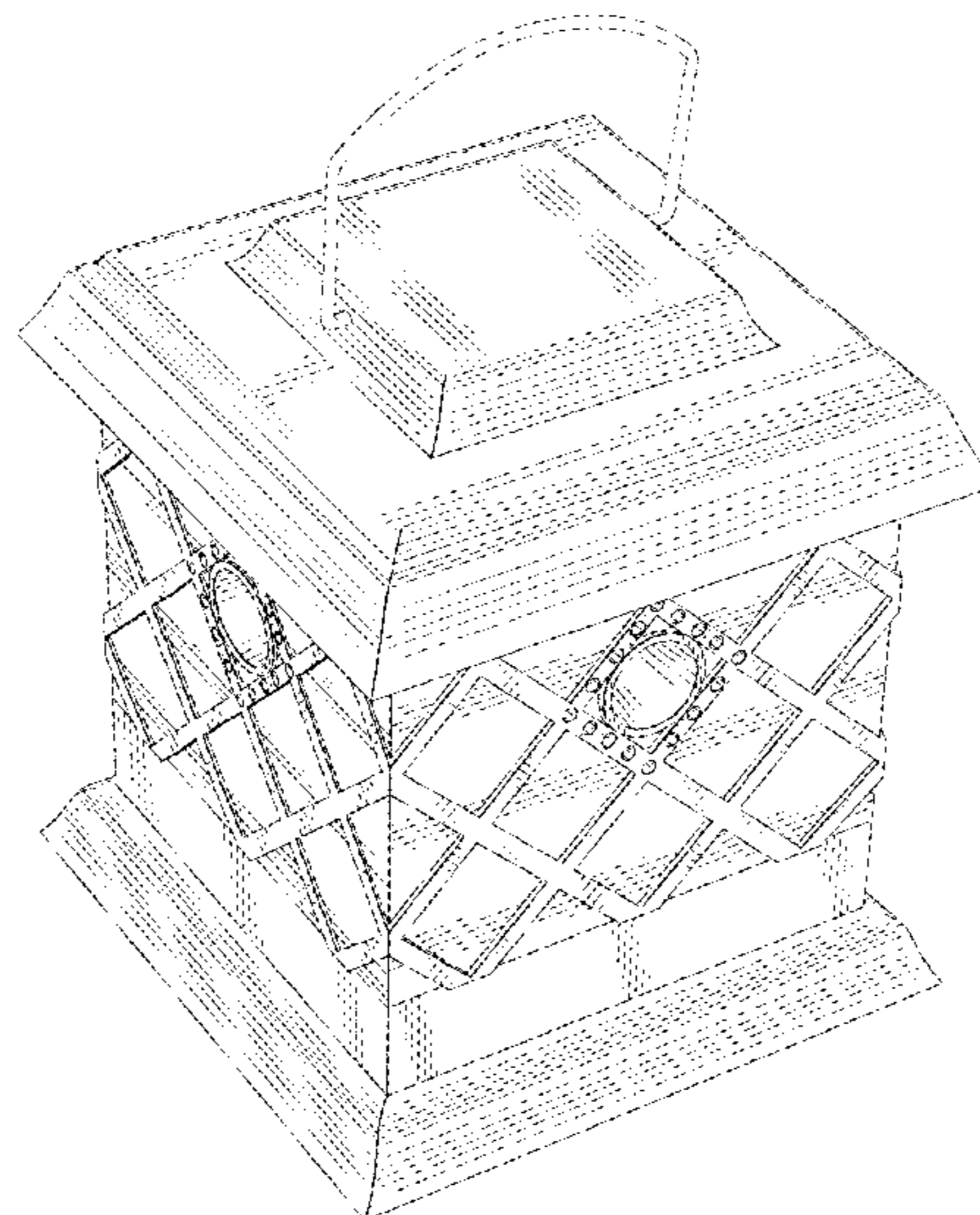


FIG. 1

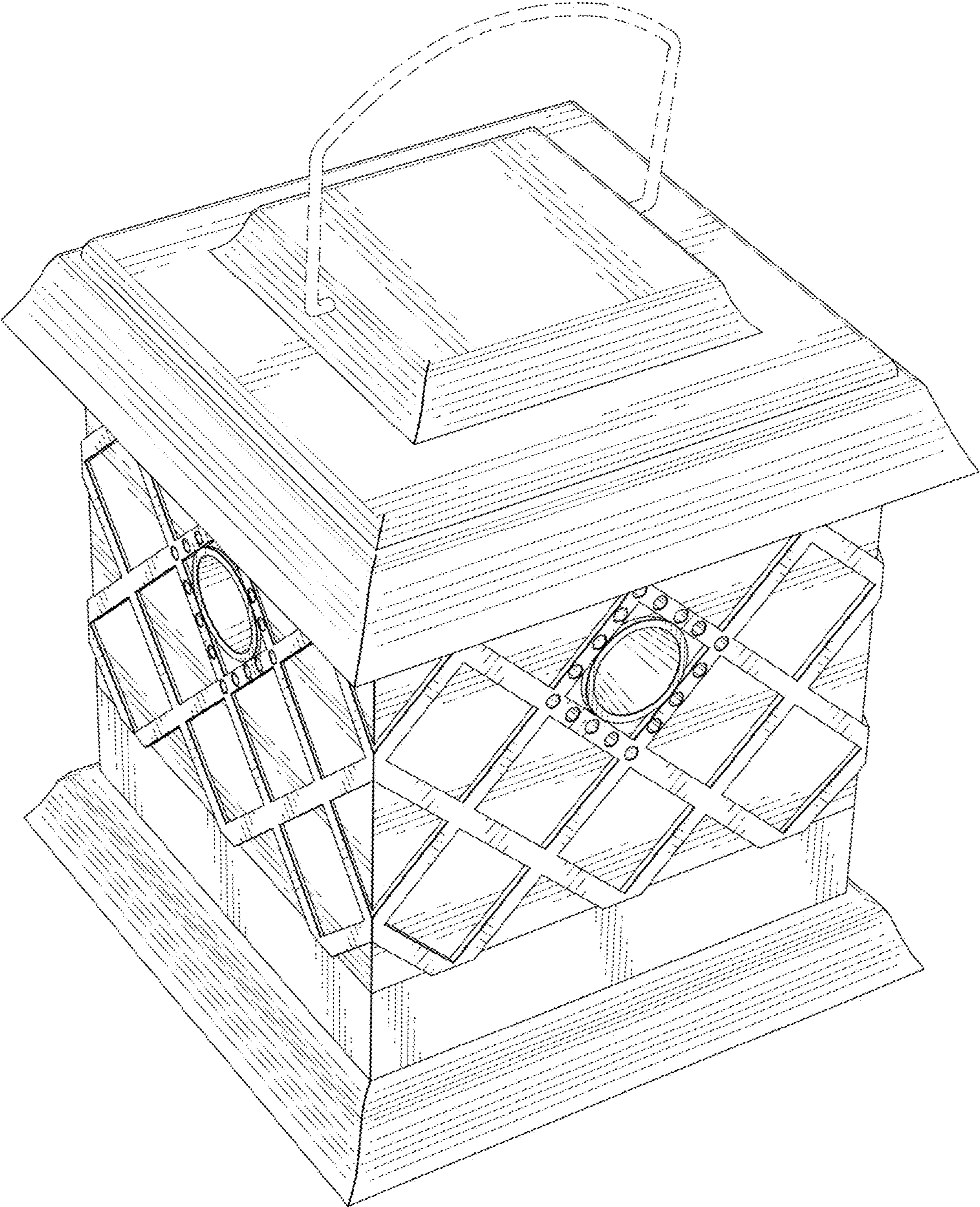


FIG. 2

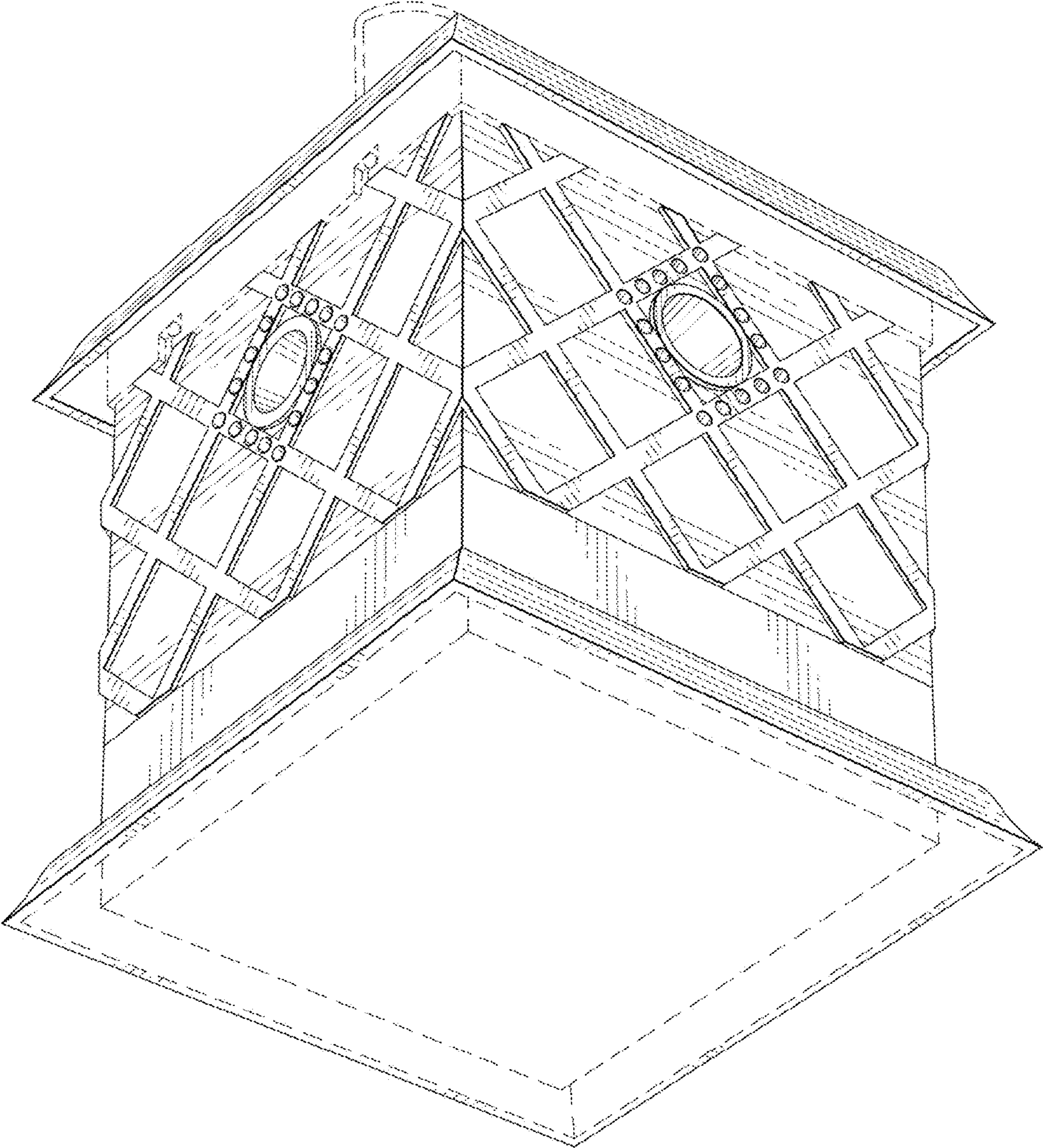


FIG. 3

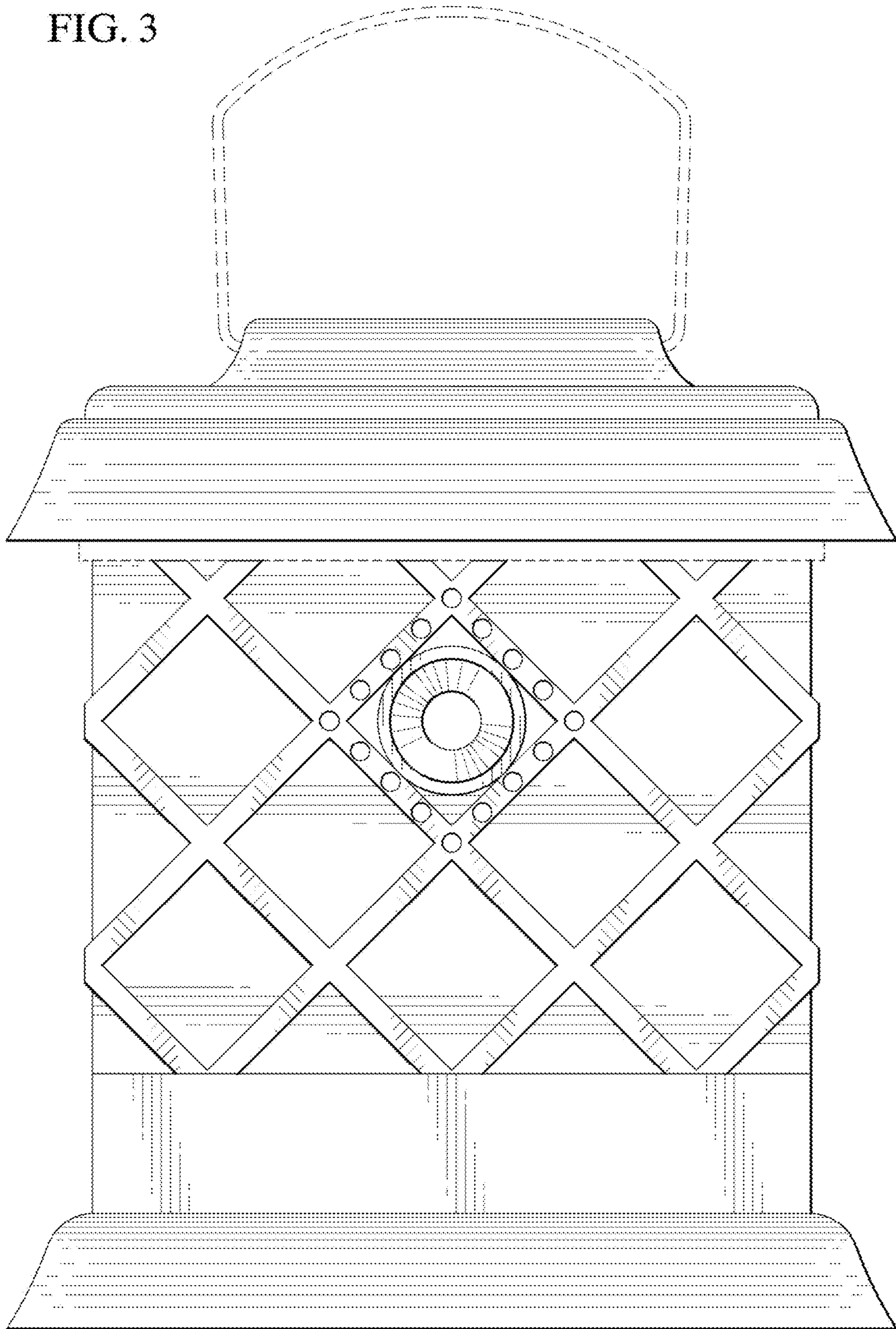


FIG. 4

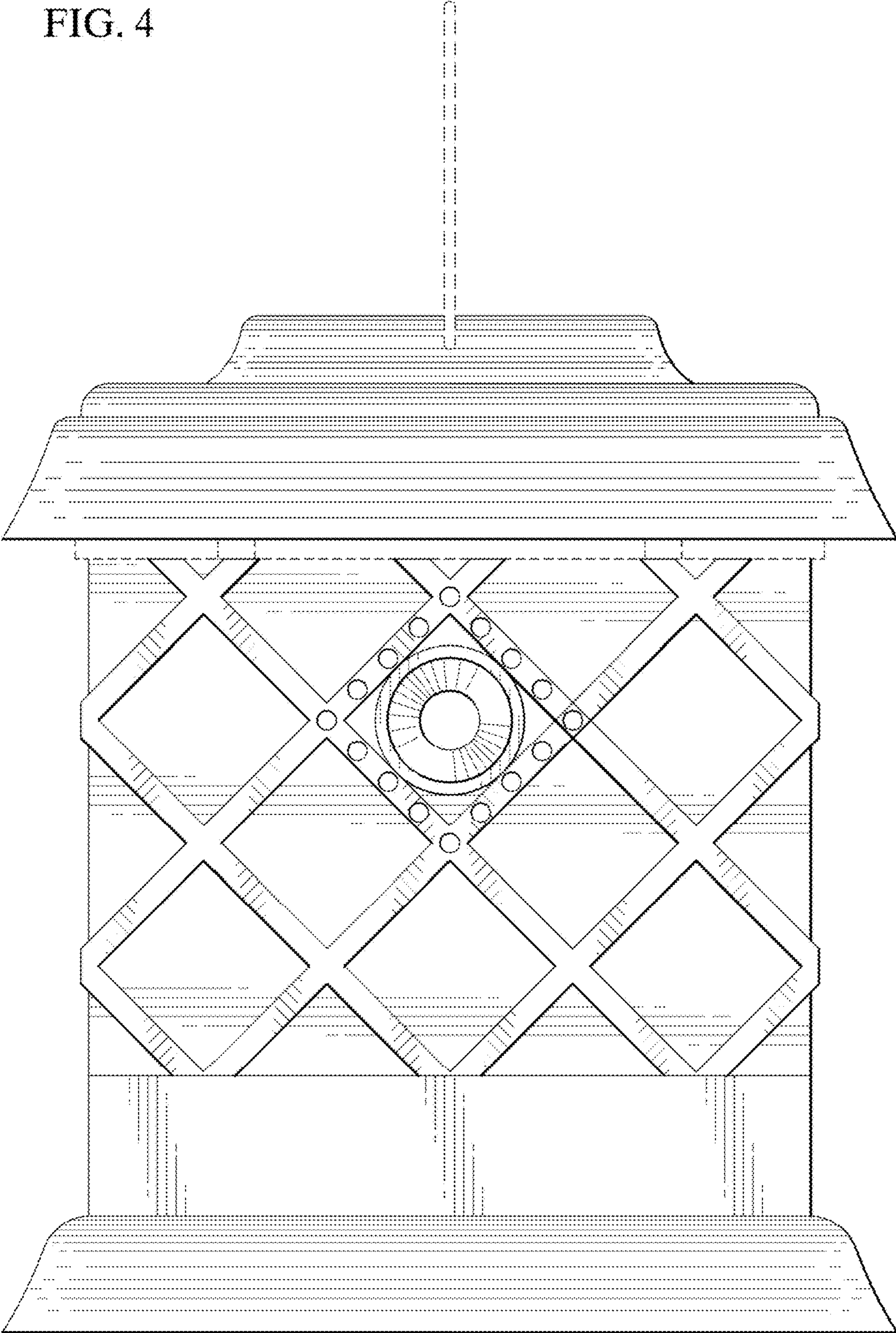


FIG. 5

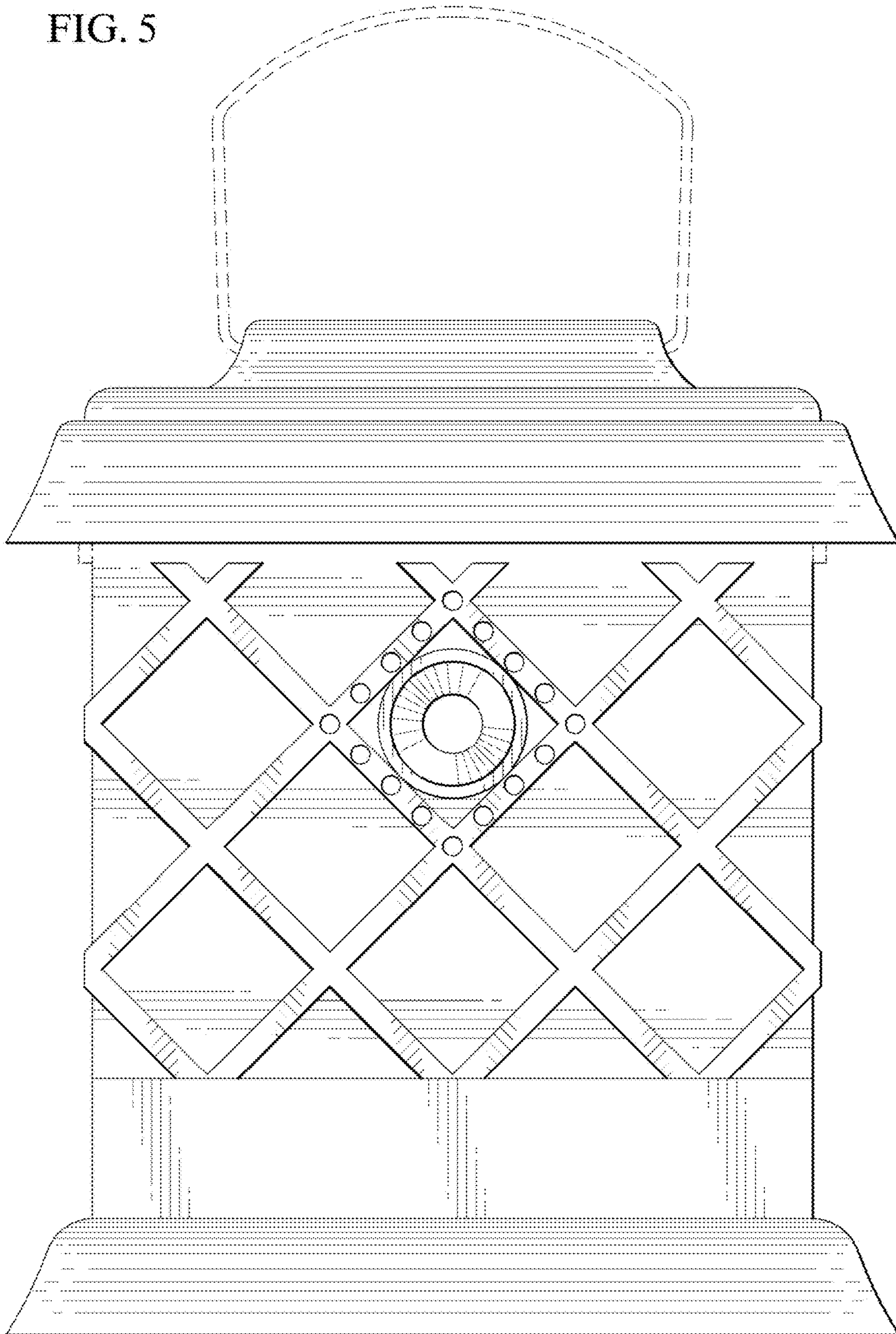


FIG. 6

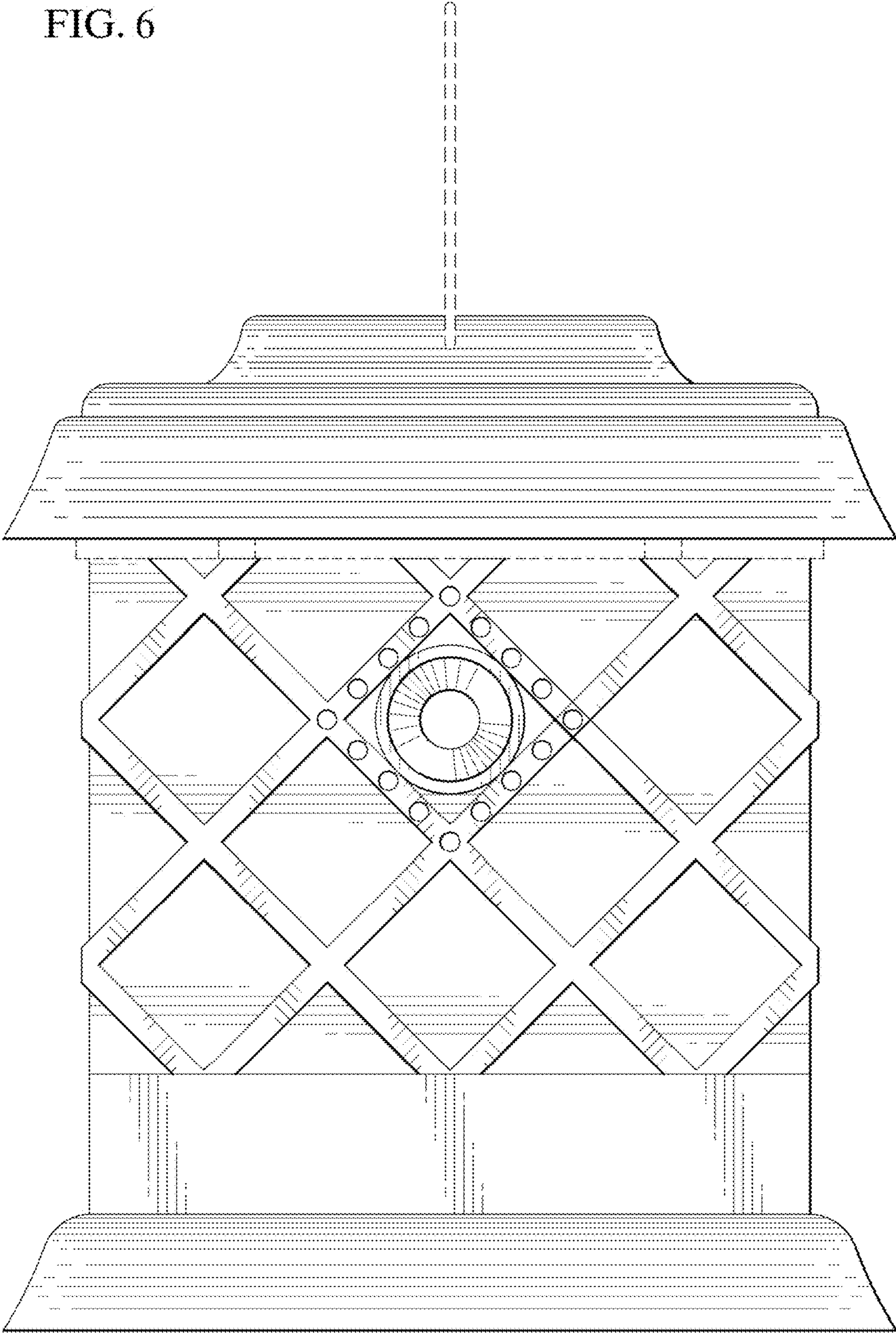


FIG. 7

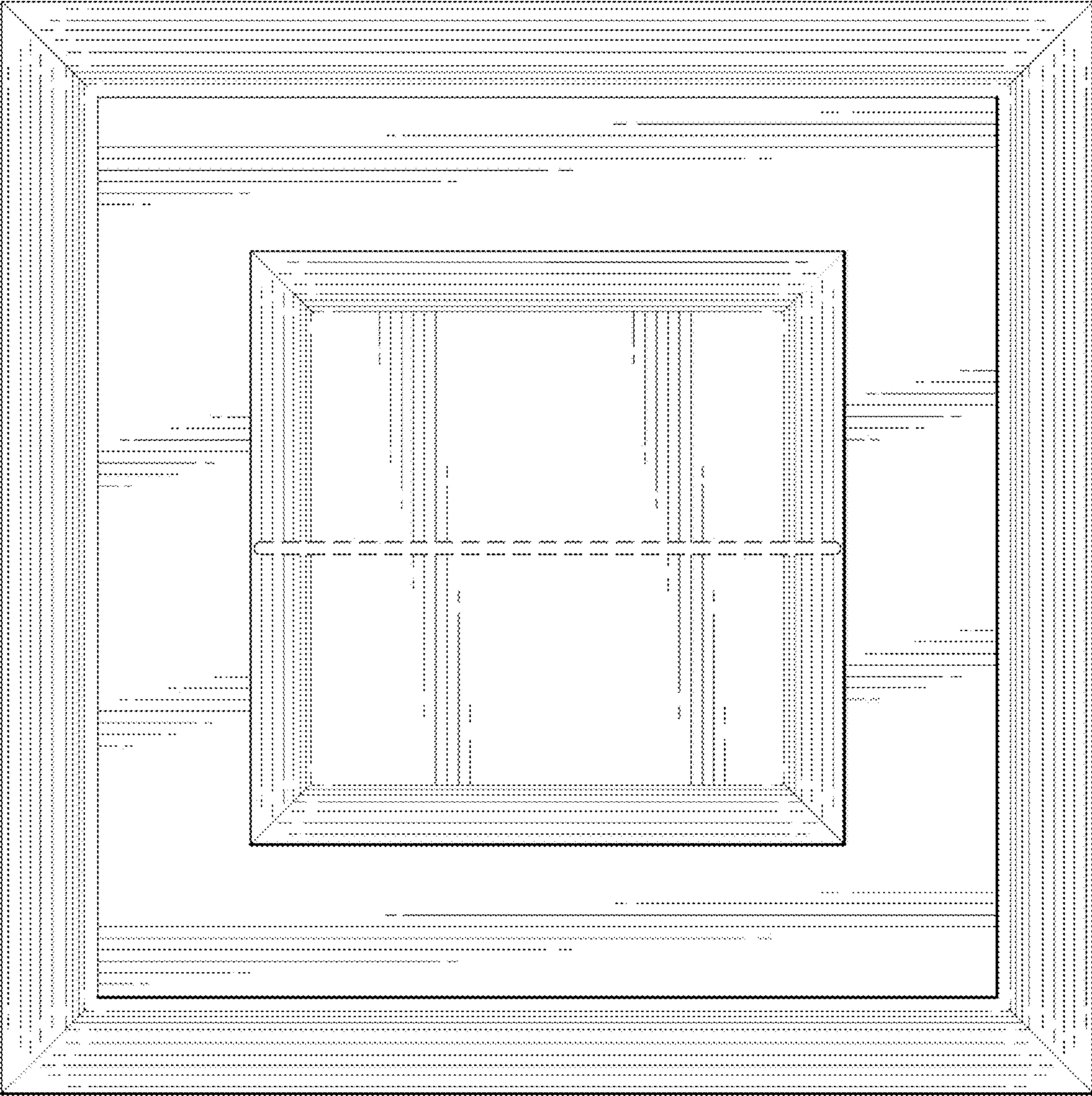


FIG. 8

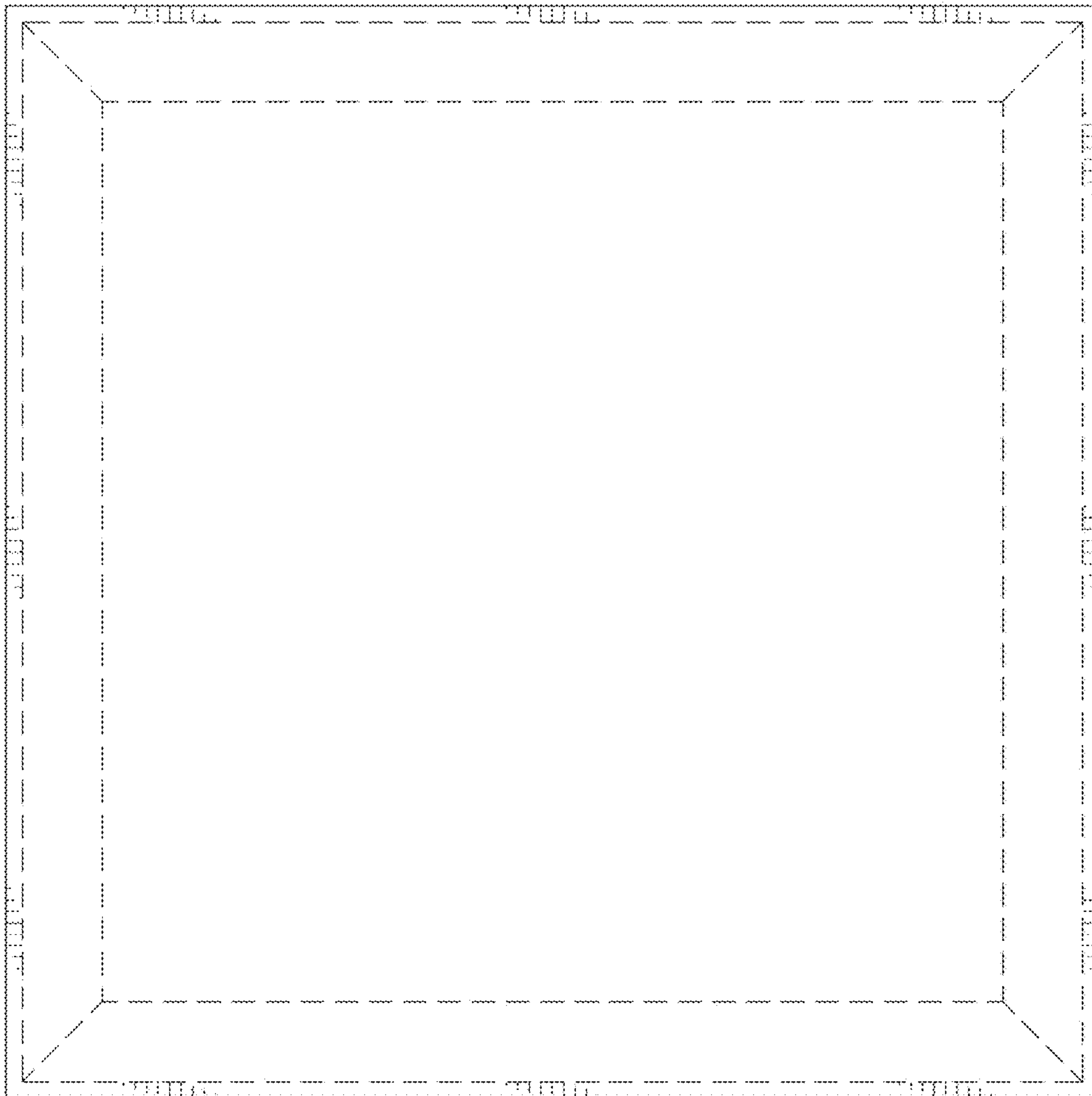


FIG. 9

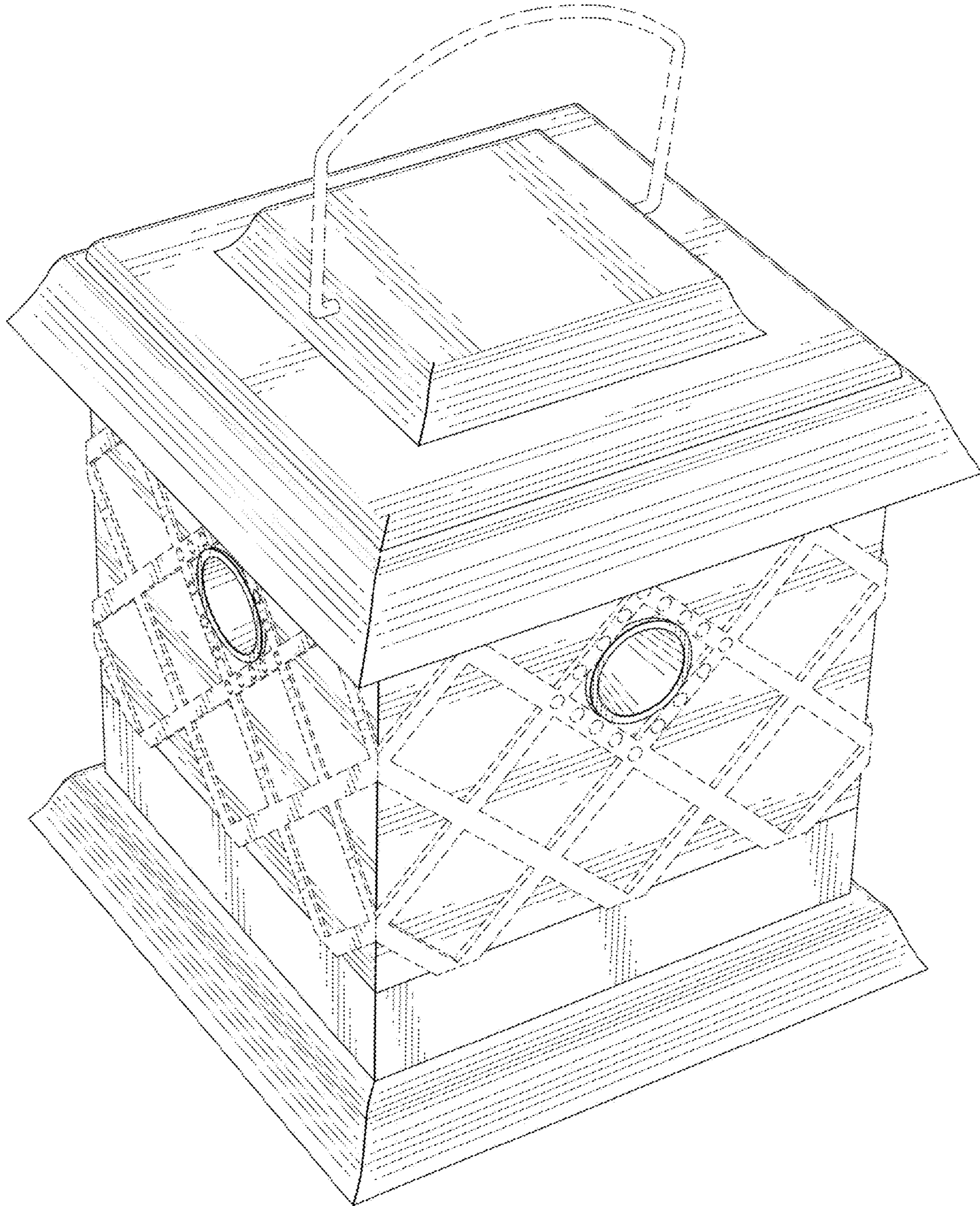


FIG. 10

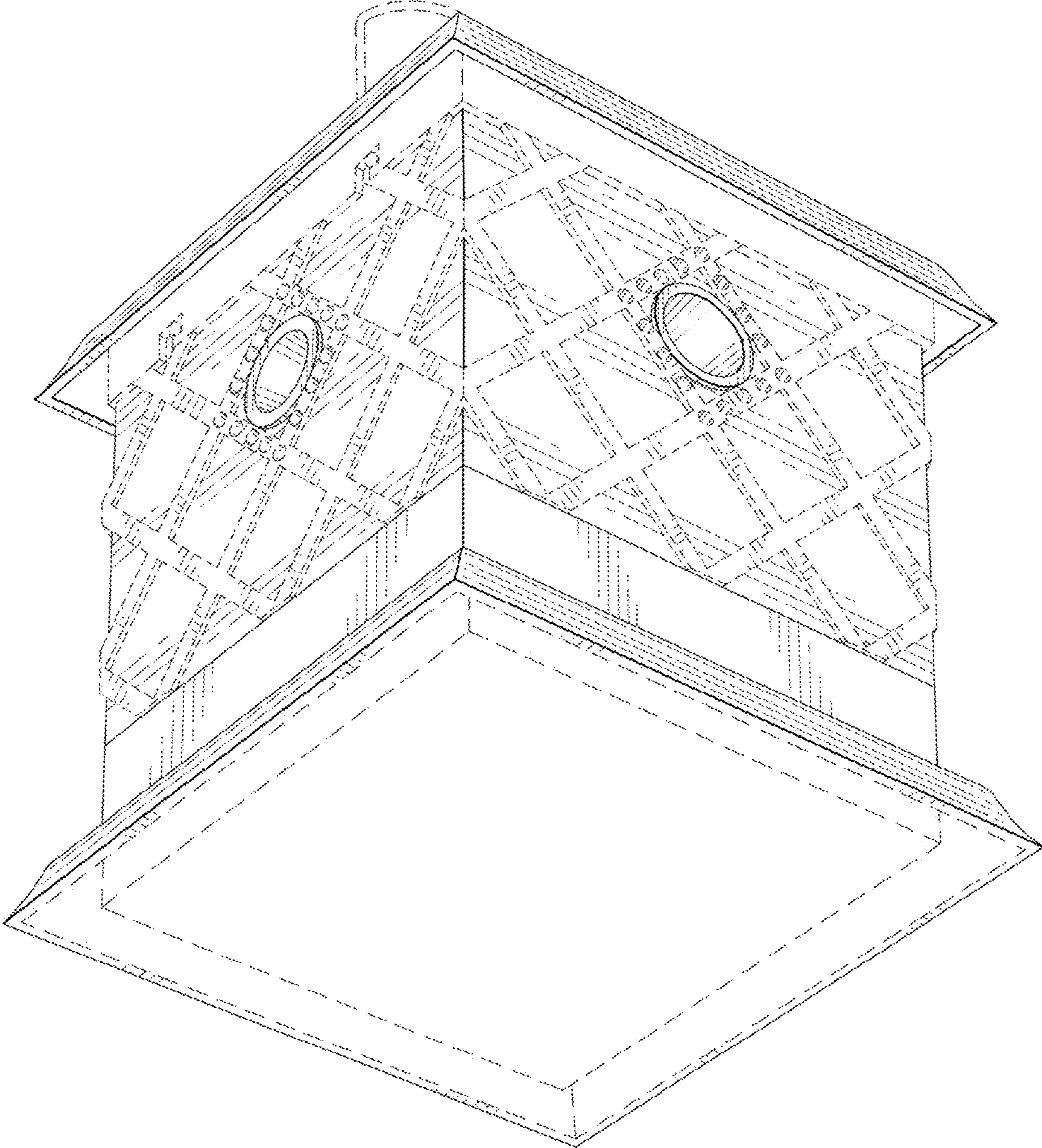


FIG. 11

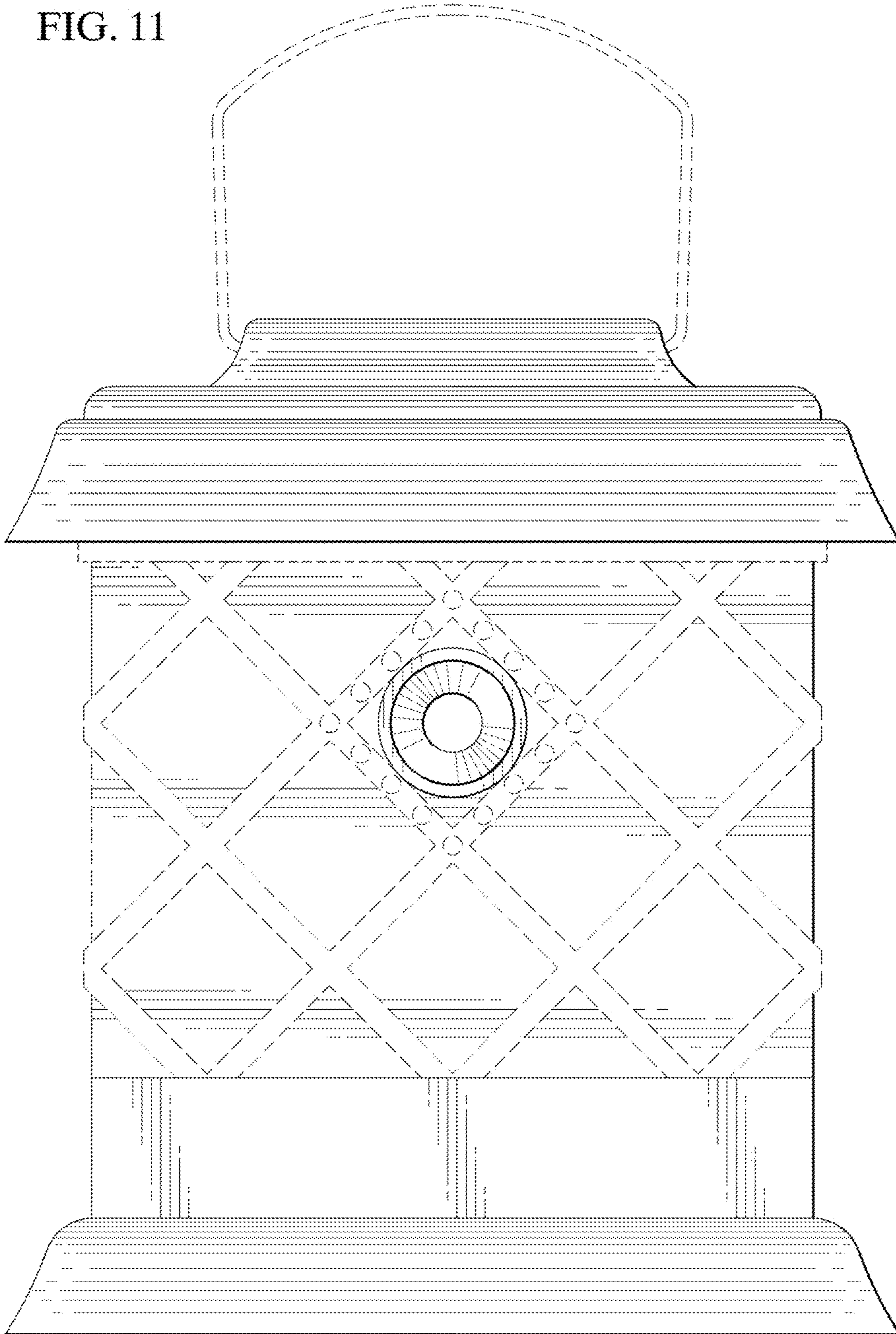


FIG. 12

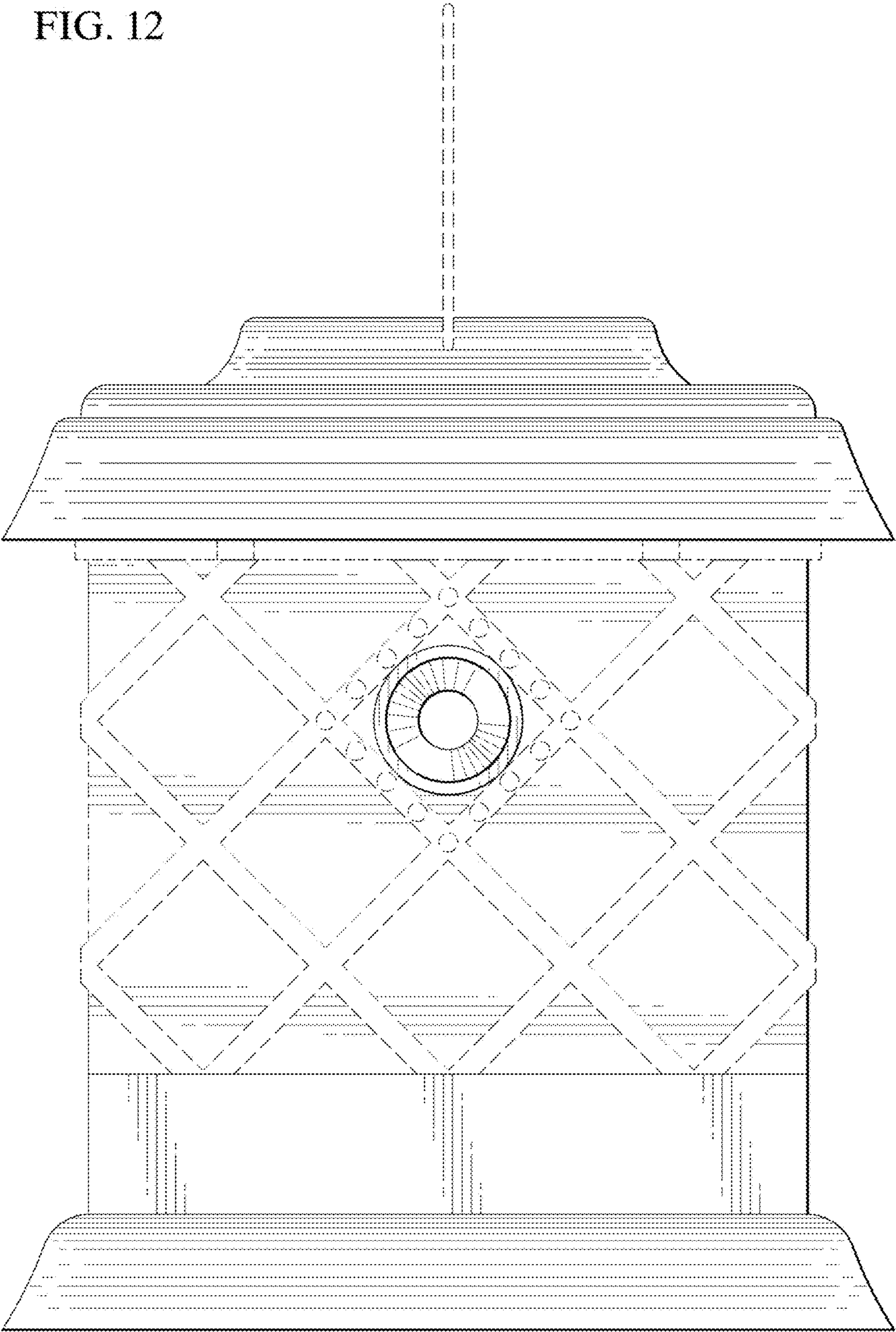


FIG. 13

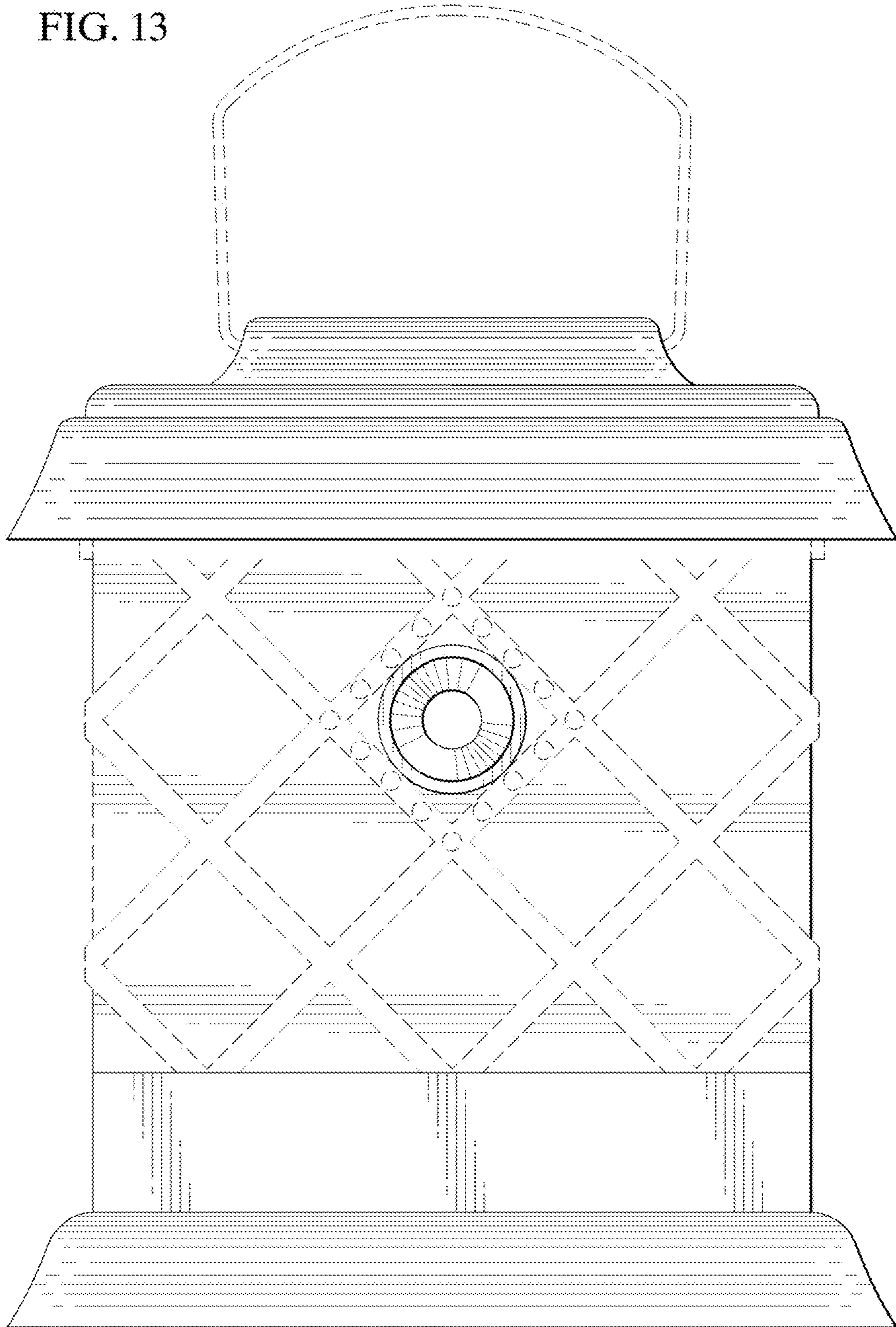


FIG. 14

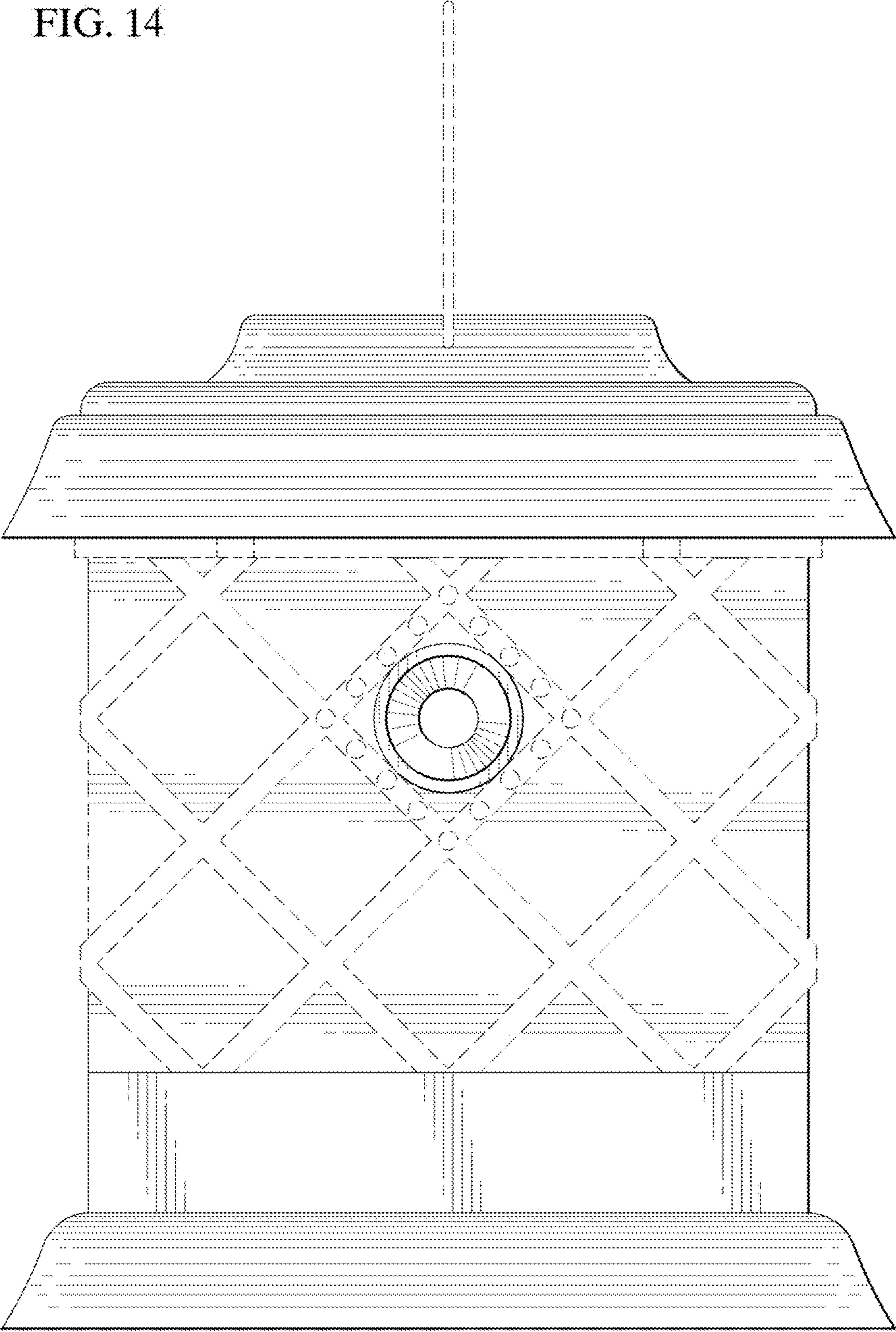


FIG. 15

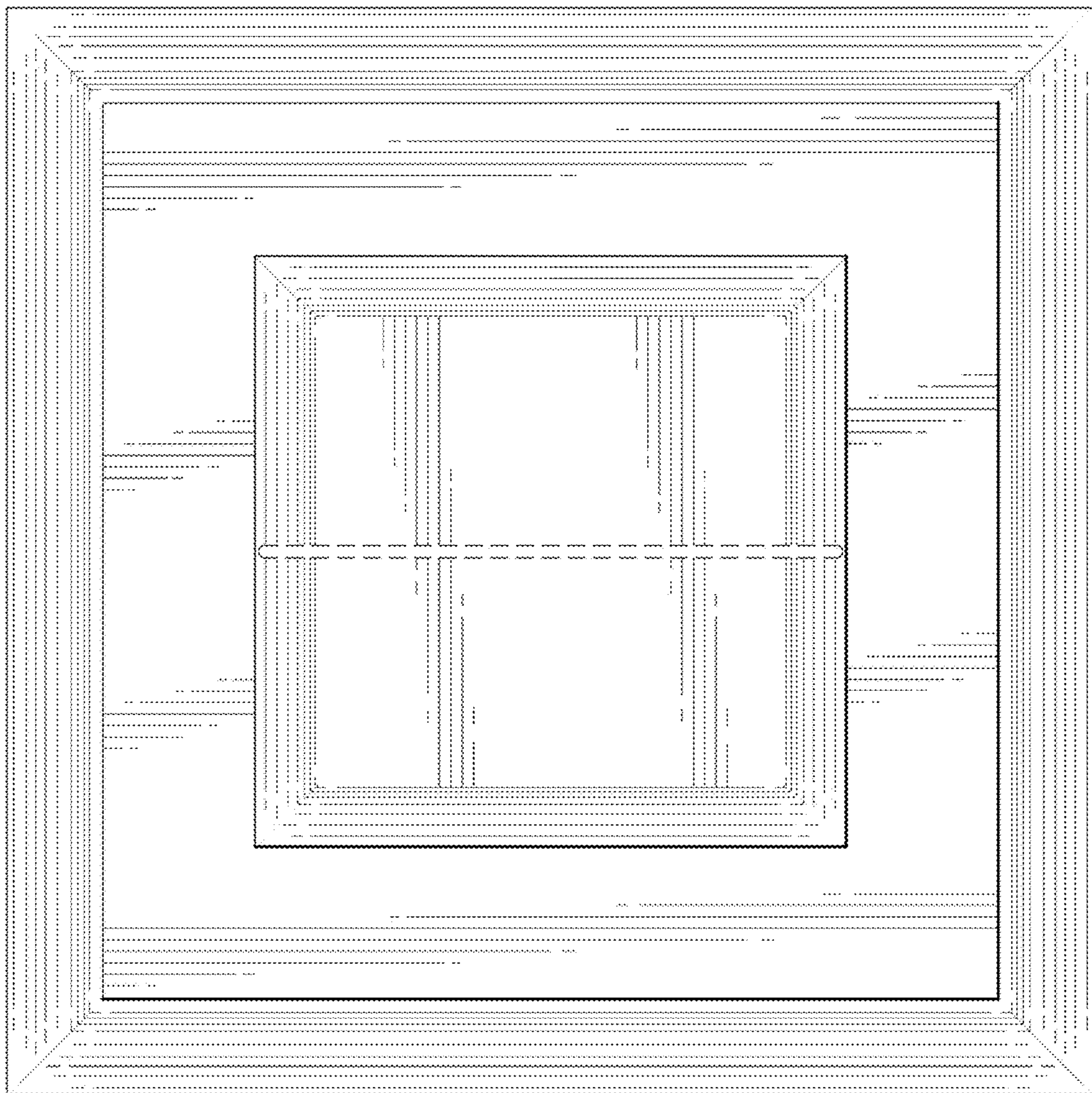


FIG. 16

