



US00D854112S

(12) **United States Design Patent** (10) **Patent No.:** **US D854,112 S**
Mencanin et al. (45) **Date of Patent:** **** *Jul. 16, 2019**

(54) **FIREARM ACCESSORY**

(71) Applicant: **J.M. Acquisitions Inc.**, Cheyenne, WY (US)

(72) Inventors: **Stephen J Mencanin**, Lake Forest, CA (US); **Timothy Langan**, Mission Viejo, CA (US); **Adam Daniel Flaster**, Scottsdale, AZ (US)

(*) Notice: This patent is subject to a terminal disclaimer.

(**) Term: **15 Years**

(21) Appl. No.: **29/542,227**

(22) Filed: **Oct. 12, 2015**

(51) **LOC (11) Cl.** **22-02**

(52) **U.S. Cl.**
USPC **D22/109**

(58) **Field of Classification Search**
USPC D22/108-111; D16/200, 202, 214, 242; 42/85, 111, 114, 146
CPC F41G 1/35; F41G 3/145; F41G 11/001; F41G 11/003
See application file for complete search history.

(56) **References Cited**

U.S. PATENT DOCUMENTS

D241,245 S * 8/1976 Huckenbeck D16/205
D565,689 S * 4/2008 Downin D22/108

D570,948 S * 6/2008 Cerovic D22/108
D698,959 S * 2/2014 Shen D26/46
D701,935 S * 4/2014 Gokay D22/109
D712,500 S * 9/2014 Nakayama D22/108
D716,903 S * 11/2014 Larmer D22/108
D717,392 S * 11/2014 Fu D22/108
D746,401 S * 12/2015 Harrison D22/108
D749,689 S * 2/2016 Cheng D22/109
2009/0320348 A1 * 12/2009 Kelly F41G 1/38
42/119
2014/0231168 A1 * 8/2014 Dueck F41A 21/325
181/223

* cited by examiner

Primary Examiner — Kevin K Rudzinski

(57) **CLAIM**

We claim the ornamental design for a firearm accessory, as shown and described.

DESCRIPTION

FIG. 1 is a top, front, left side perspective view.
FIG. 2 is a top, rear, right side perspective view.
FIG. 3 is a front elevation view.
FIG. 4 is a rear elevation view.
FIG. 5 is a top plan view.
FIG. 6 is bottom plan view.
FIG. 7 is a left side elevation view; and,
FIG. 8 is a right side elevation view.
The firearm accessory described in this design patent is characterized by a protruded ellipse having a number of features on one end, which are seen best in the front elevation view.

1 Claim, 5 Drawing Sheets

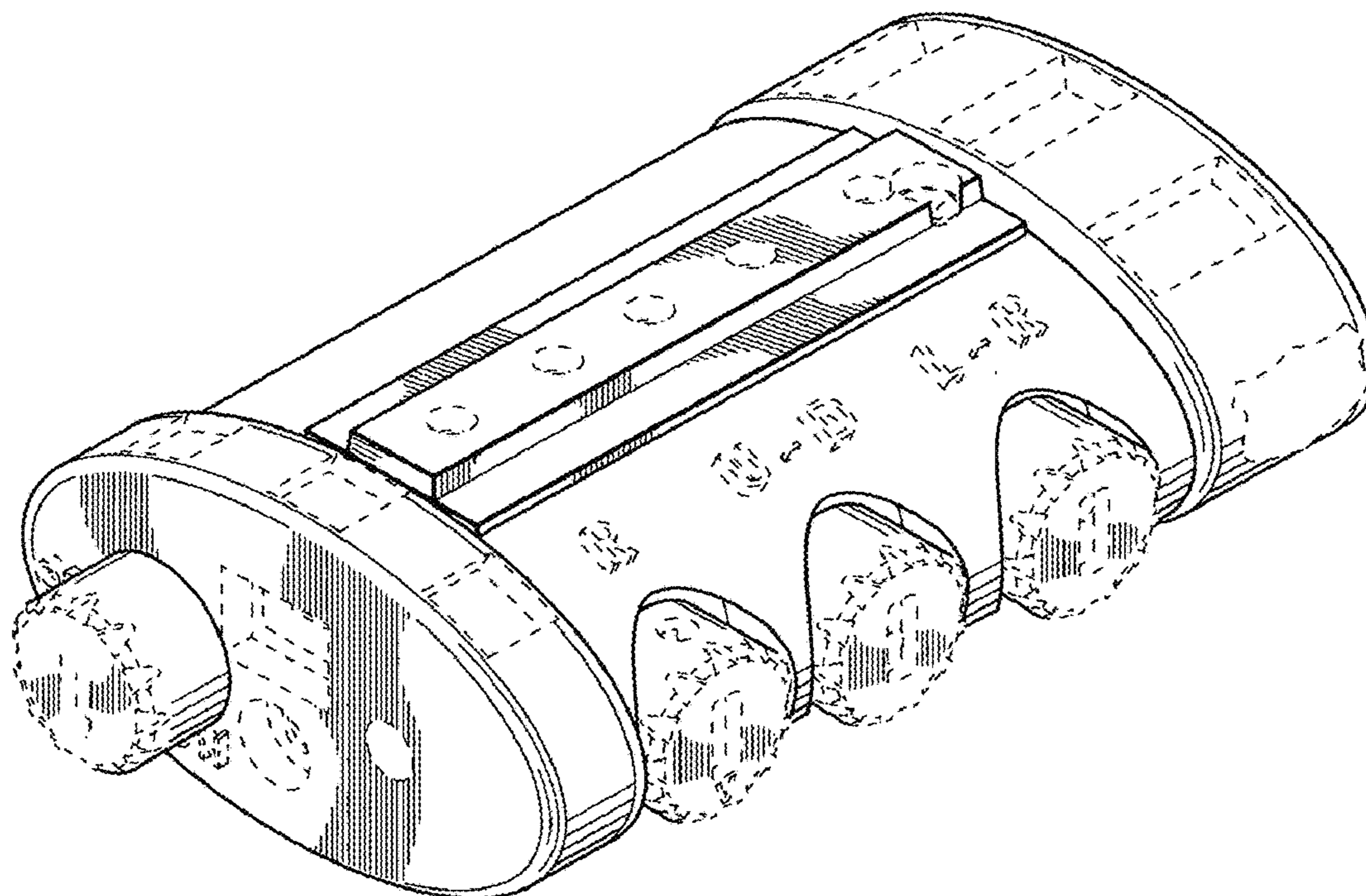


FIG. 1

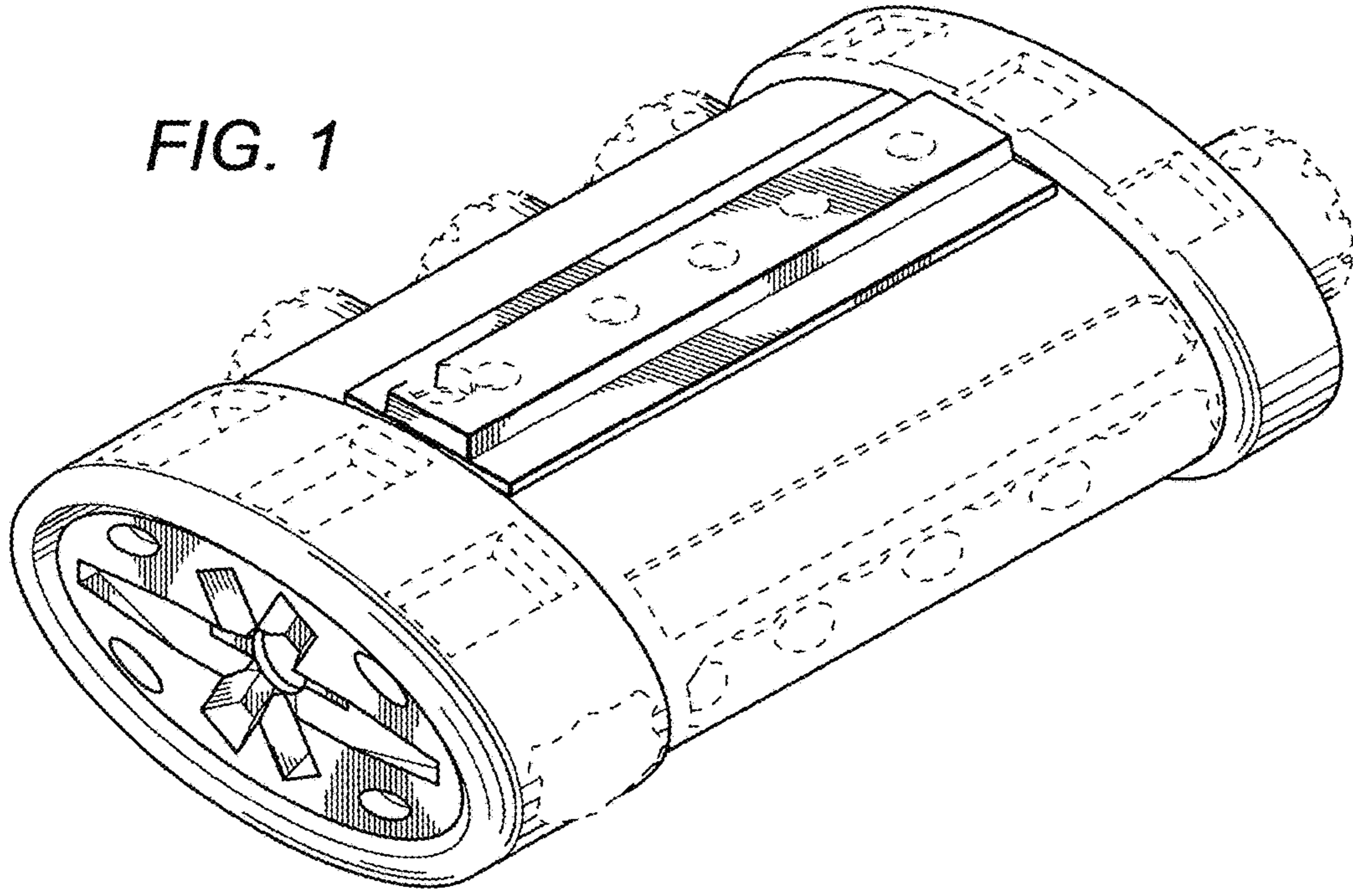
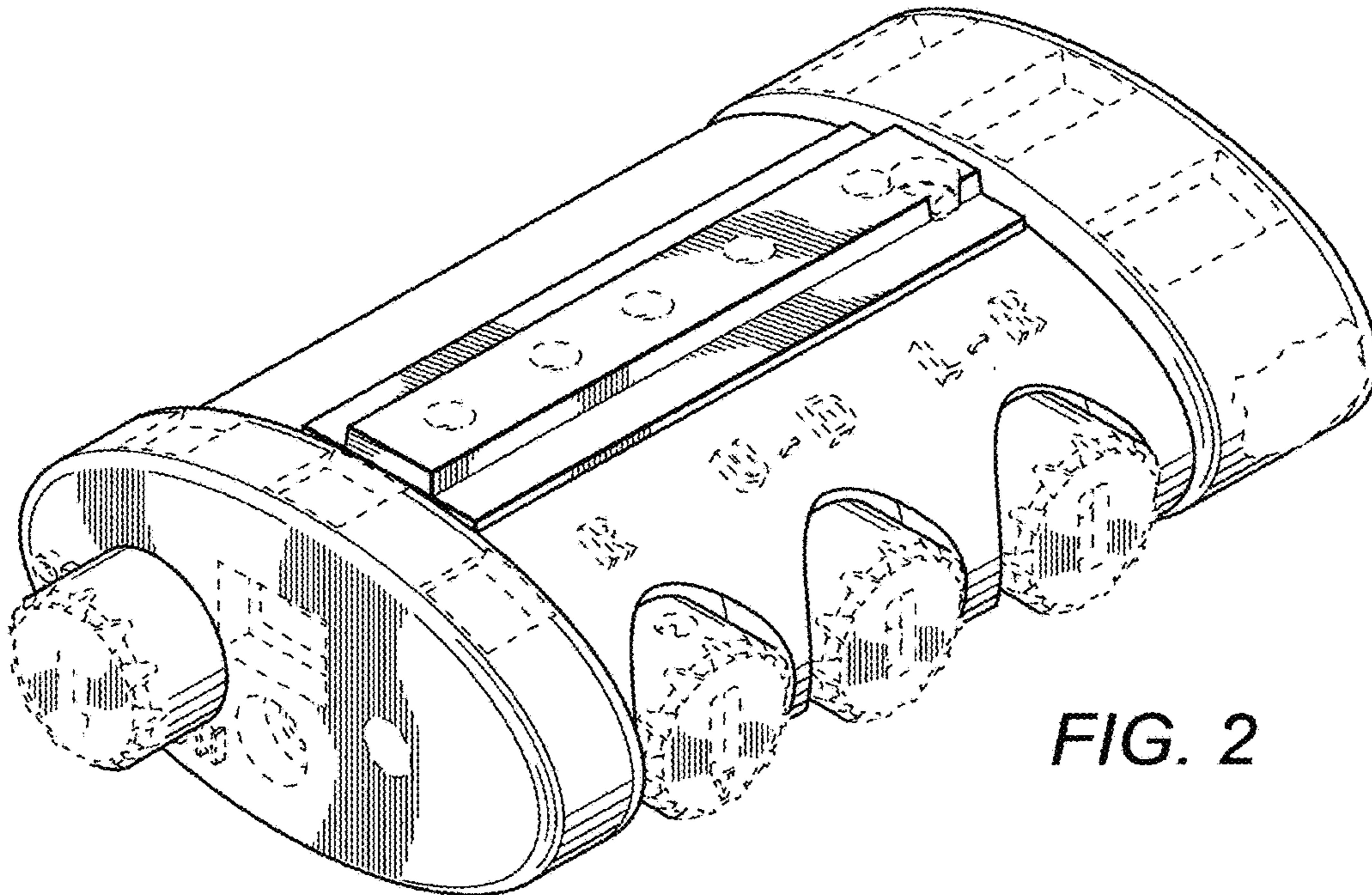


FIG. 2



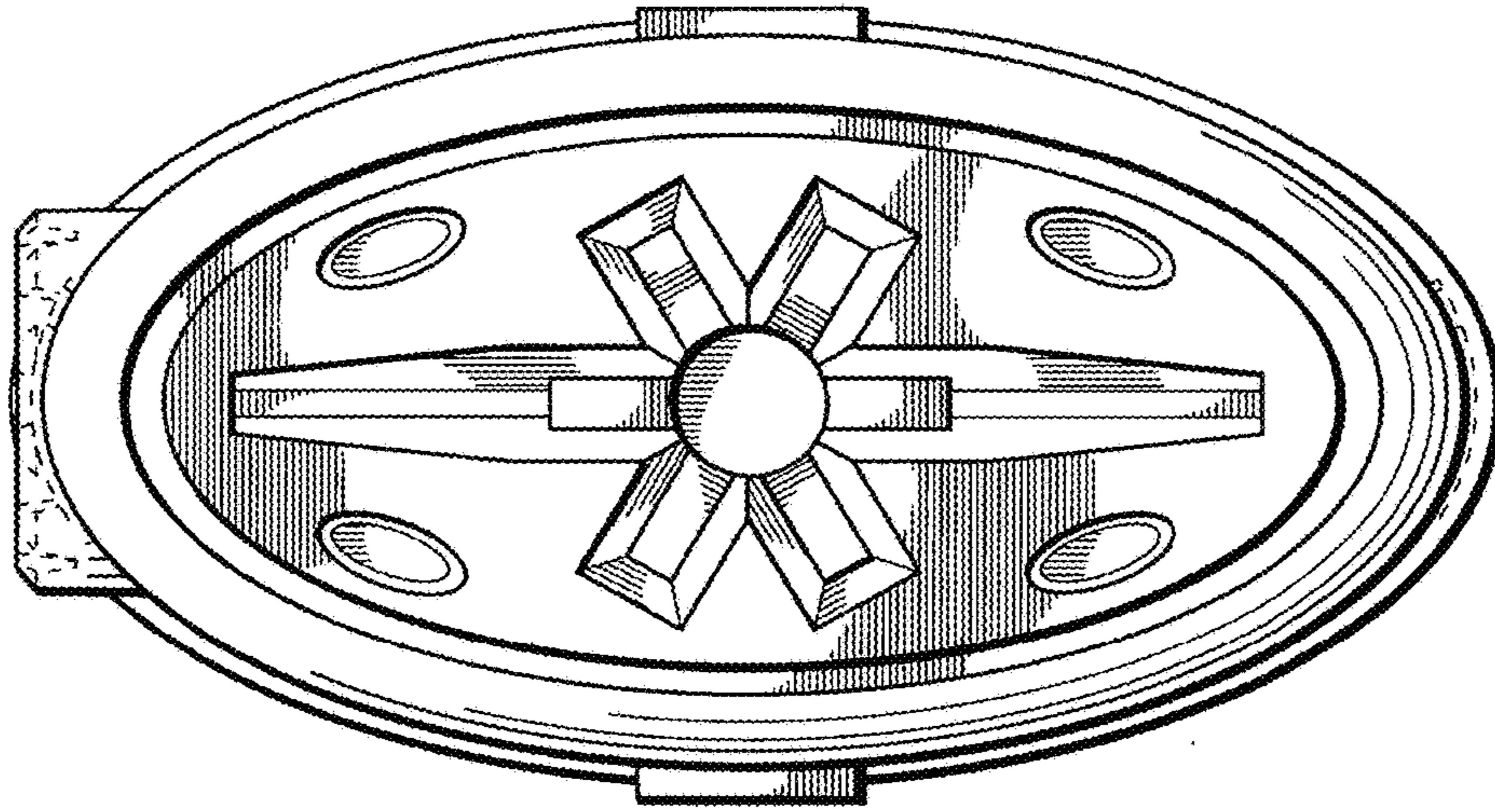


FIG. 3

FIG. 4

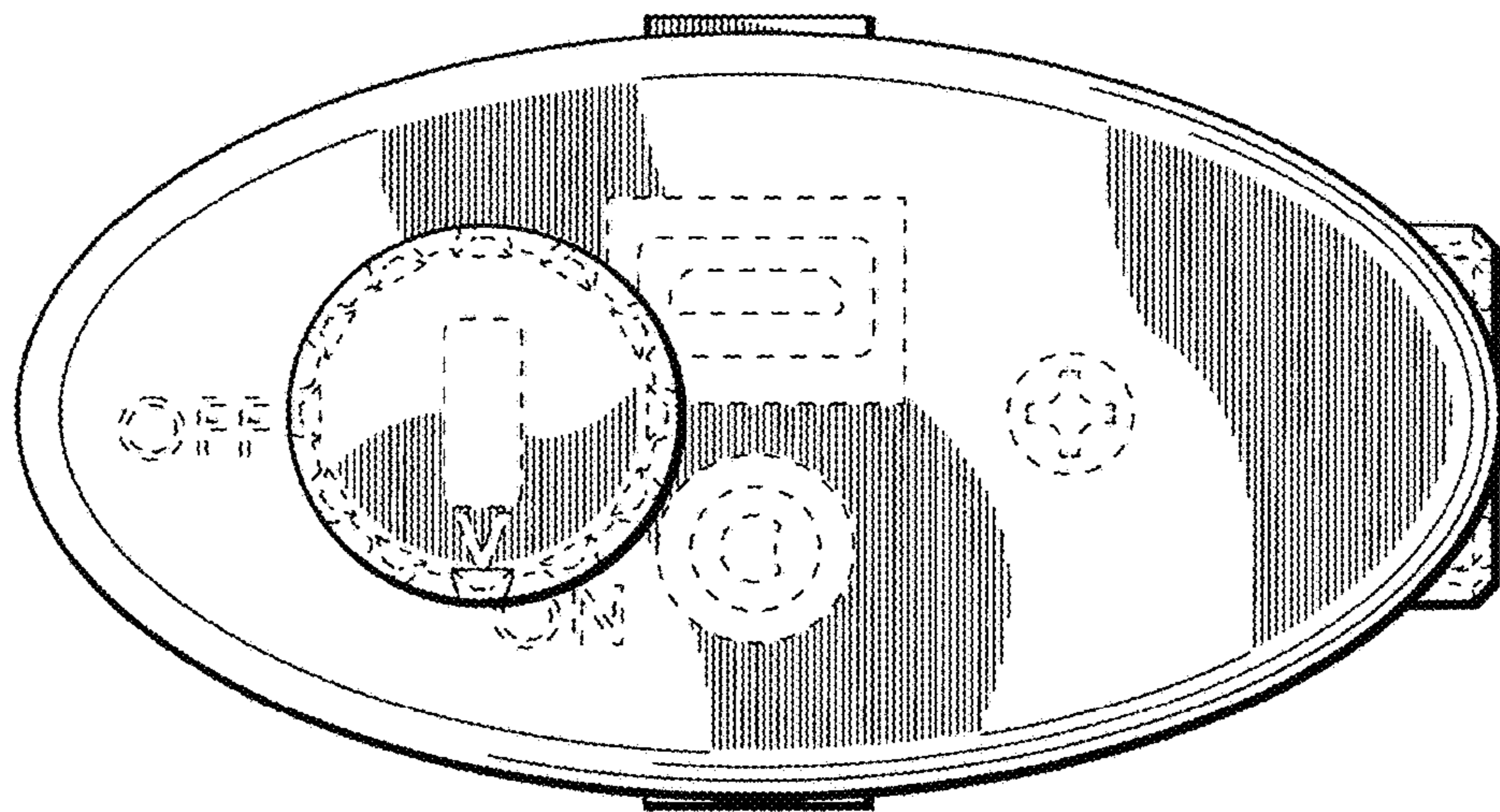
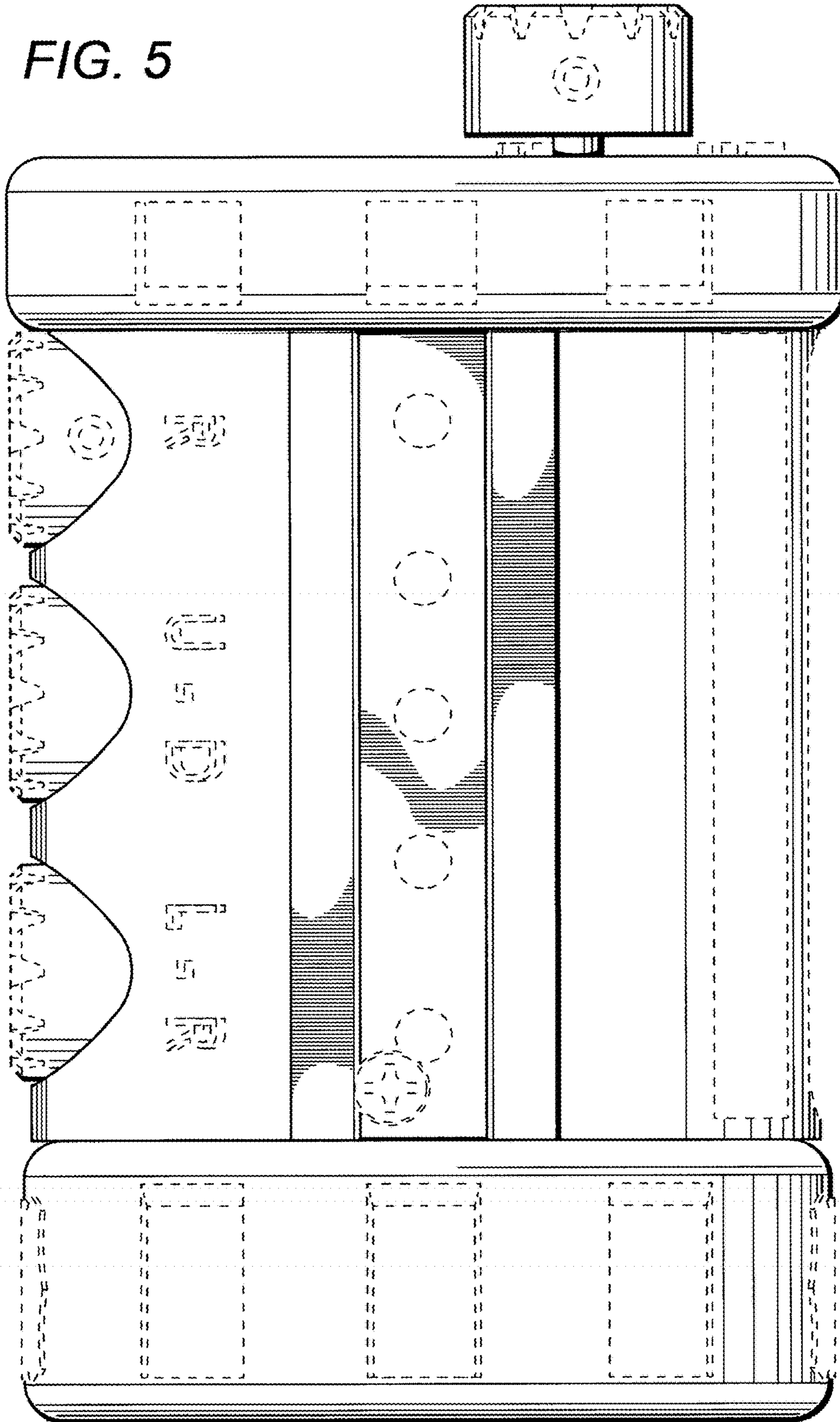


FIG. 5



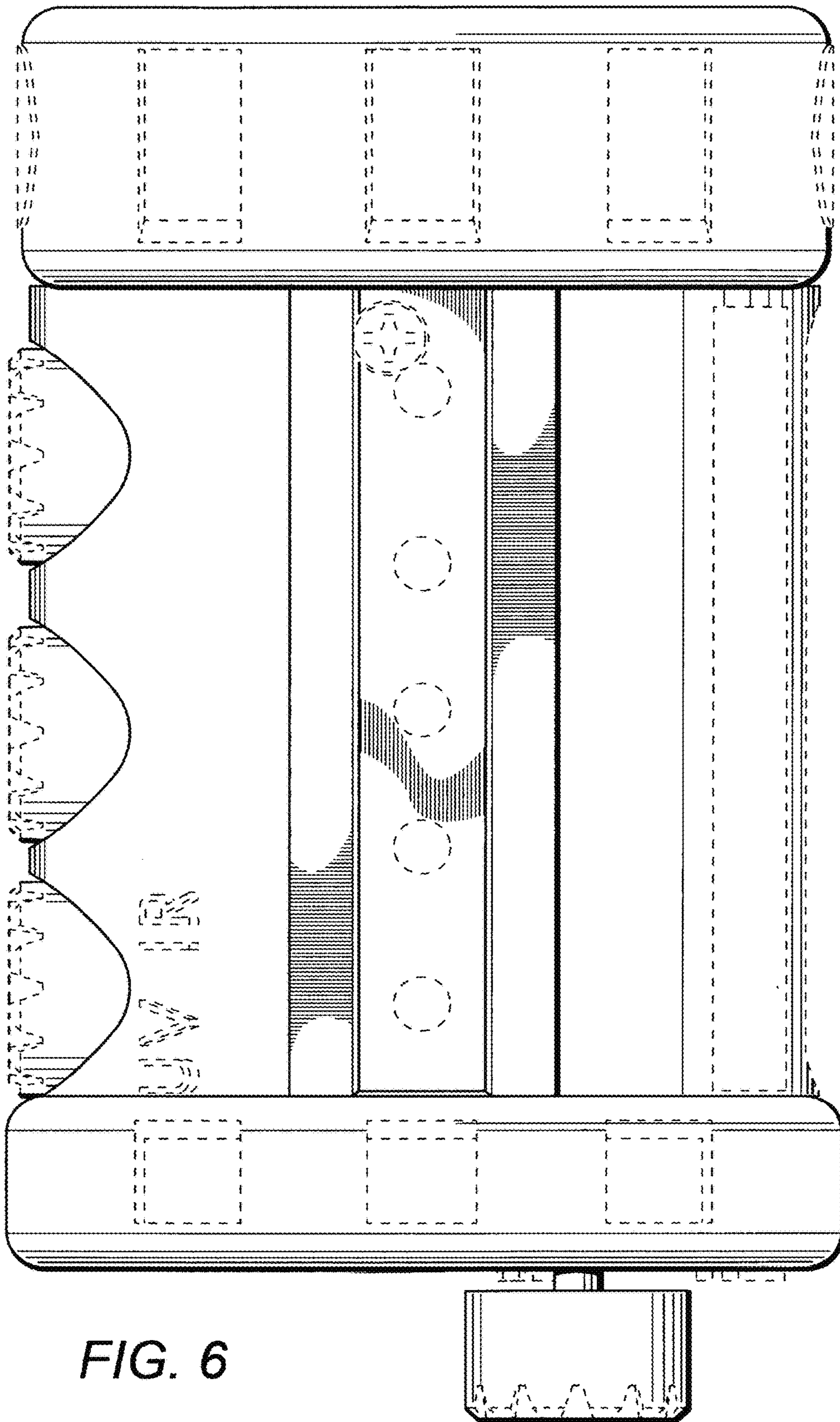


FIG. 6

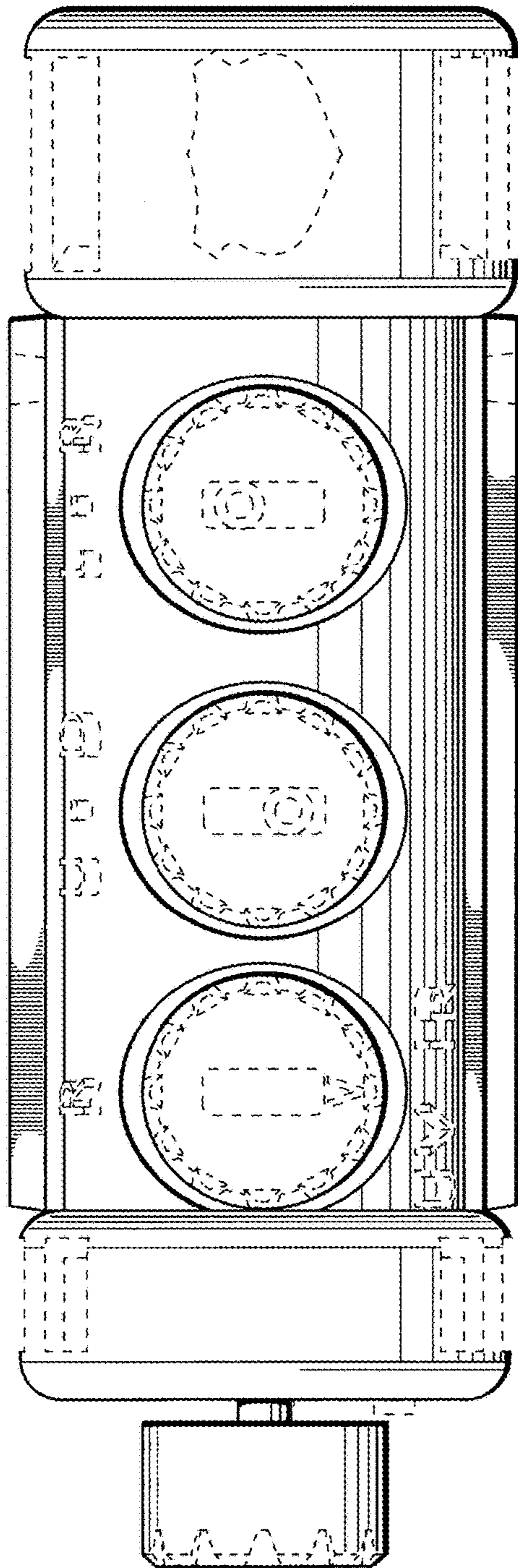


FIG. 7

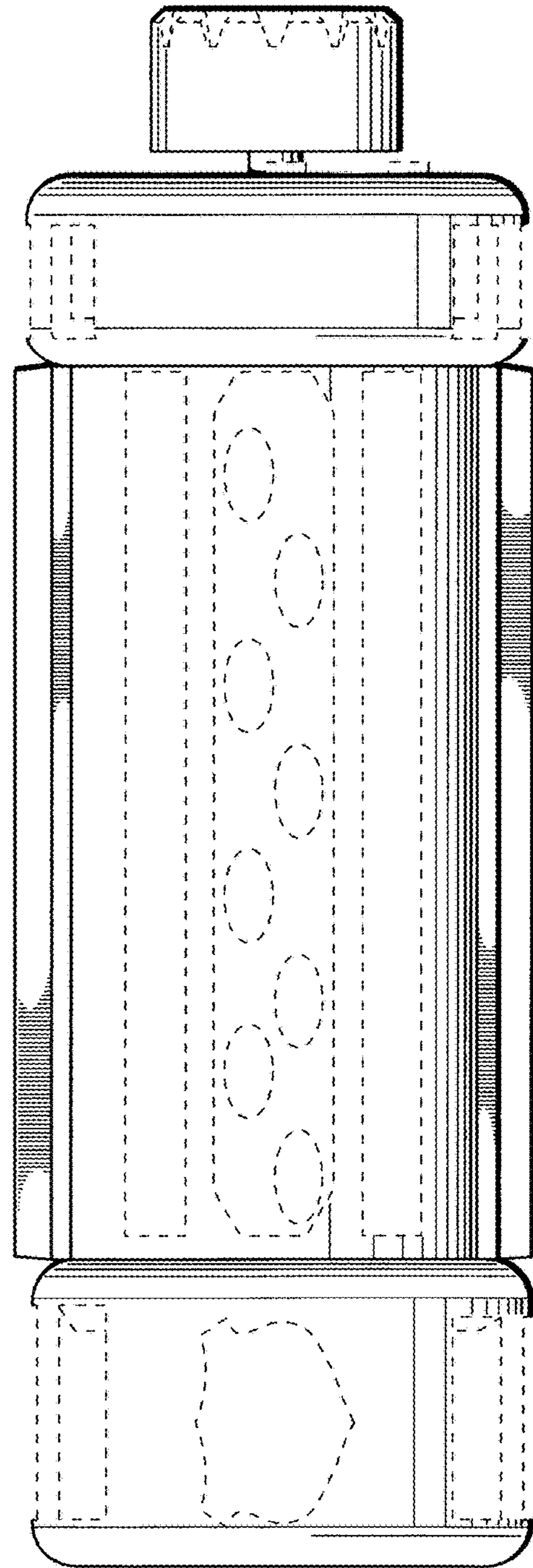


FIG. 8