



US00D854111S

(12) **United States Design Patent**
Baltz

(10) **Patent No.:** **US D854,111 S**

(45) **Date of Patent:** **** *Jul. 16, 2019**

(54) **ATTACHABLE SHOOTING REST FOR A WALKING STICK**

(71) Applicant: **Doc B's Attachable Shooting Rest, LLC, Neenah, WI (US)**

(72) Inventor: **Curtis C. Baltz, Neenah, WI (US)**

(73) Assignee: **Doc B's Attachable Shooting Rest, LLC, Neenah, WI (US)**

(*) Notice: This patent is subject to a terminal disclaimer.

(**) Term: **15 Years**

(21) Appl. No.: **29/597,187**

(22) Filed: **Mar. 15, 2017**

(51) **LOC (11) Cl.** **22-01**

(52) **U.S. Cl.**
USPC **D22/108**

(58) **Field of Classification Search**
USPC D22/108, 199; D3/10; D8/356, 396
CPC F41A 23/08; F41A 23/04
See application file for complete search history.

(56) **References Cited**

U.S. PATENT DOCUMENTS

4,868,123 A * 9/1989 Berson C12M 21/02
435/286.6
5,307,797 A * 5/1994 Kleefeld A47J 33/00
126/30

5,410,627 A * 4/1995 Hultermans B29C 70/845
385/45
6,471,029 B1 * 10/2002 Pierce B65G 69/0441
193/14
9,345,940 B2 * 5/2016 Chiu A63B 67/06
9,474,640 B2 * 10/2016 Johnson A61F 2/954
9,494,382 B2 * 11/2016 Storch F41A 3/64

* cited by examiner

Primary Examiner — Michael A. Pratt

(74) *Attorney, Agent, or Firm* — Boyle Fredrickson S.C.

(57) **CLAIM**

The ornamental design for an attachable shooting rest for a walking stick, substantially as shown and described.

DESCRIPTION

FIG. 1 is a front right side perspective view of an attachable shooting rest for a walking stick according to the present invention and shown in an exemplary environment attached to the top of a walking stick;

FIG. 2 is a front right side perspective view of the attachable shooting rest for a walking stick shown in FIG. 1;

FIG. 3 is a front side elevation view thereof;

FIG. 4 is a rear side elevation view thereof;

FIG. 5 is a left side elevation view thereof;

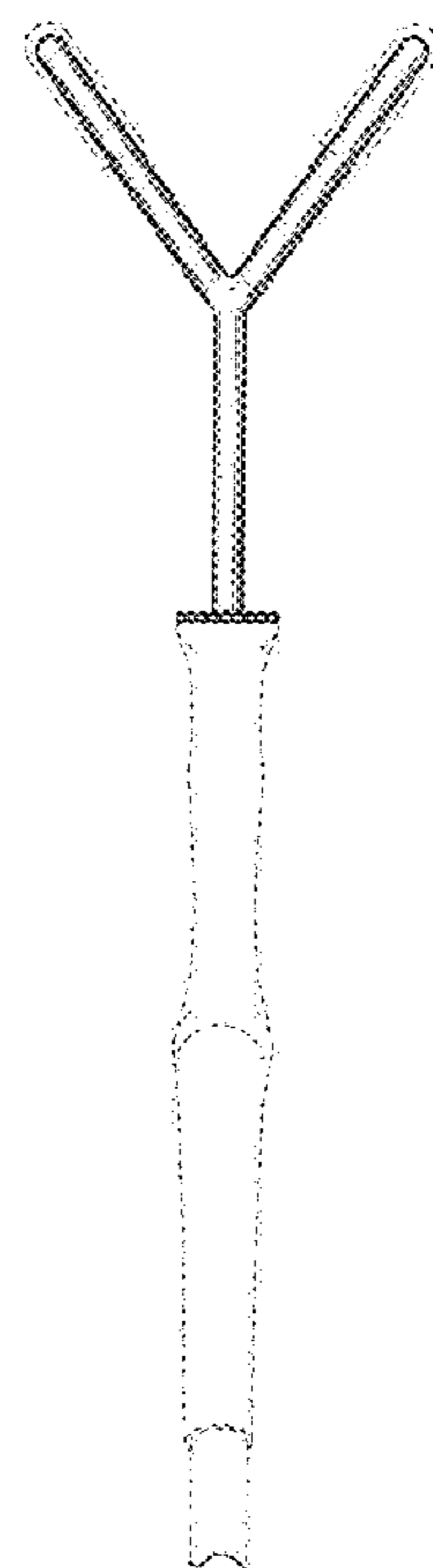
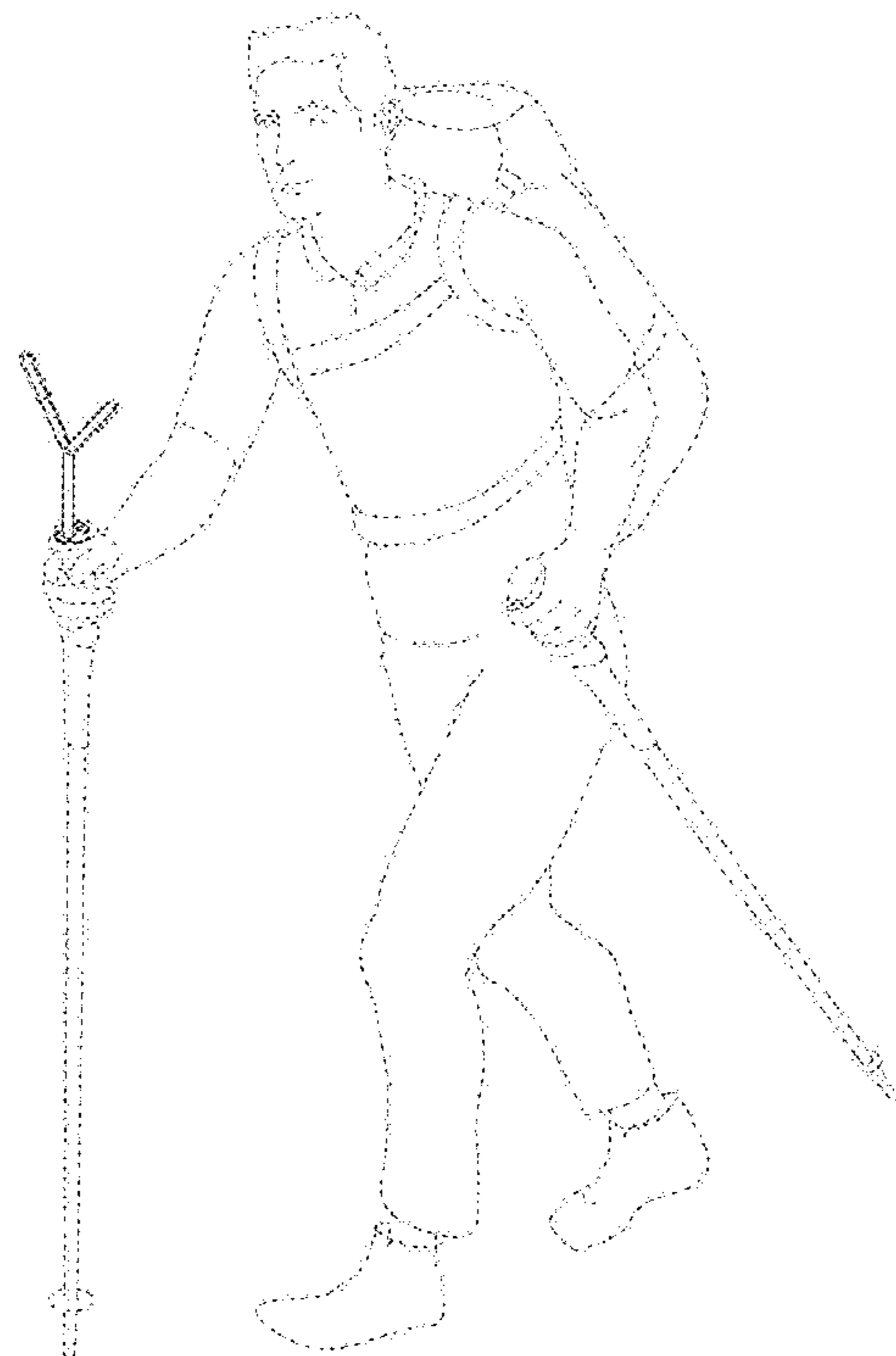
FIG. 6 is a right side elevation view thereof;

FIG. 7 is a top plan view thereof; and,

FIG. 8 is a bottom plan view thereof.

The broken lines are for illustrative purposes and represent environmental structure and unclaimed portions of the invention and therefore form no part of the claimed design.

1 Claim, 8 Drawing Sheets



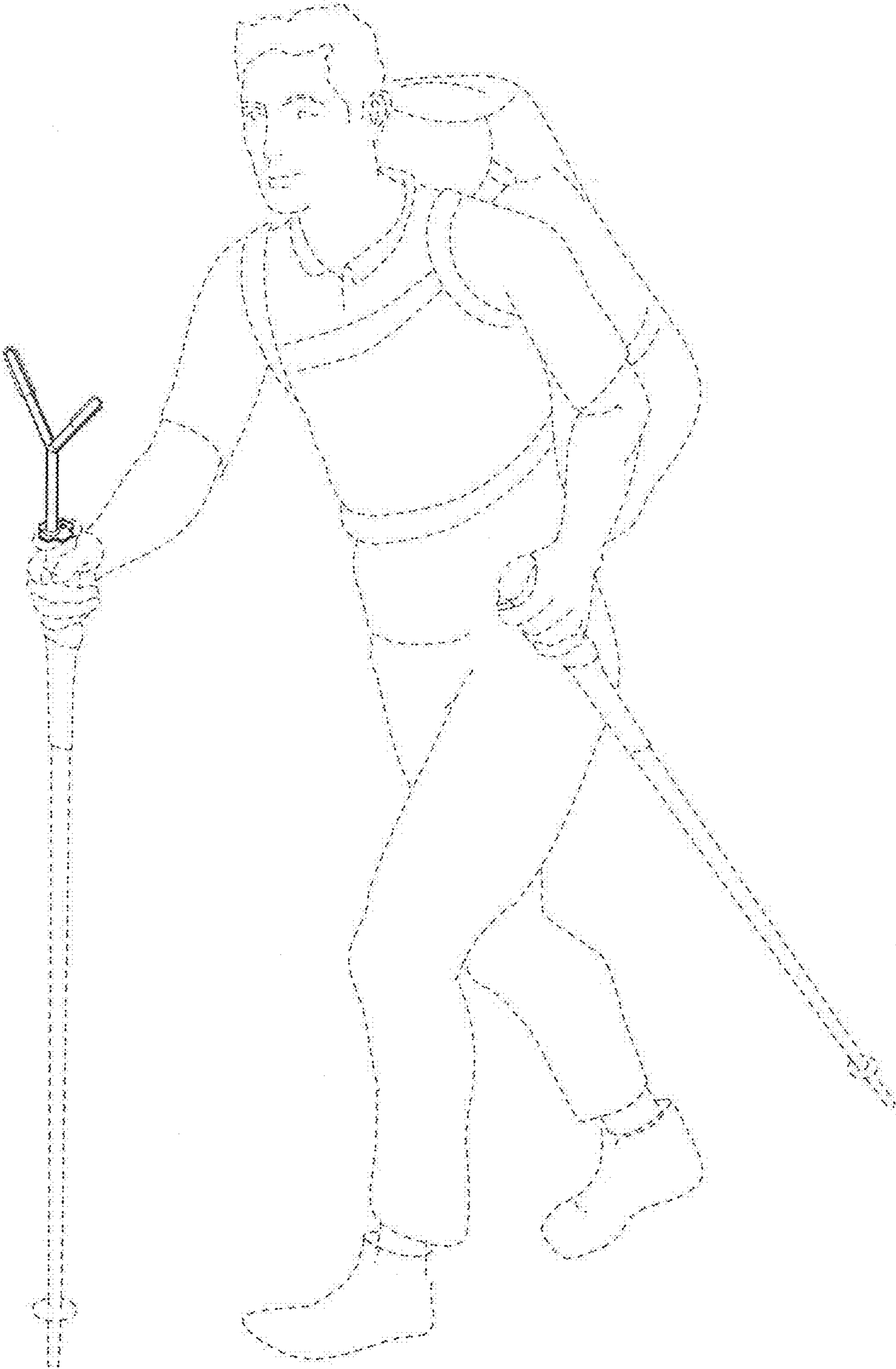


FIG. 1

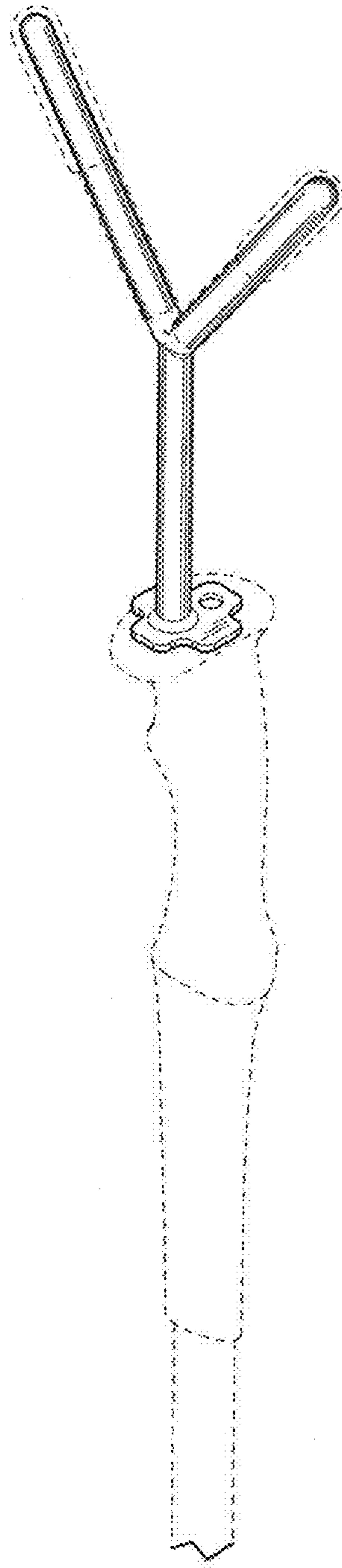


FIG. 2

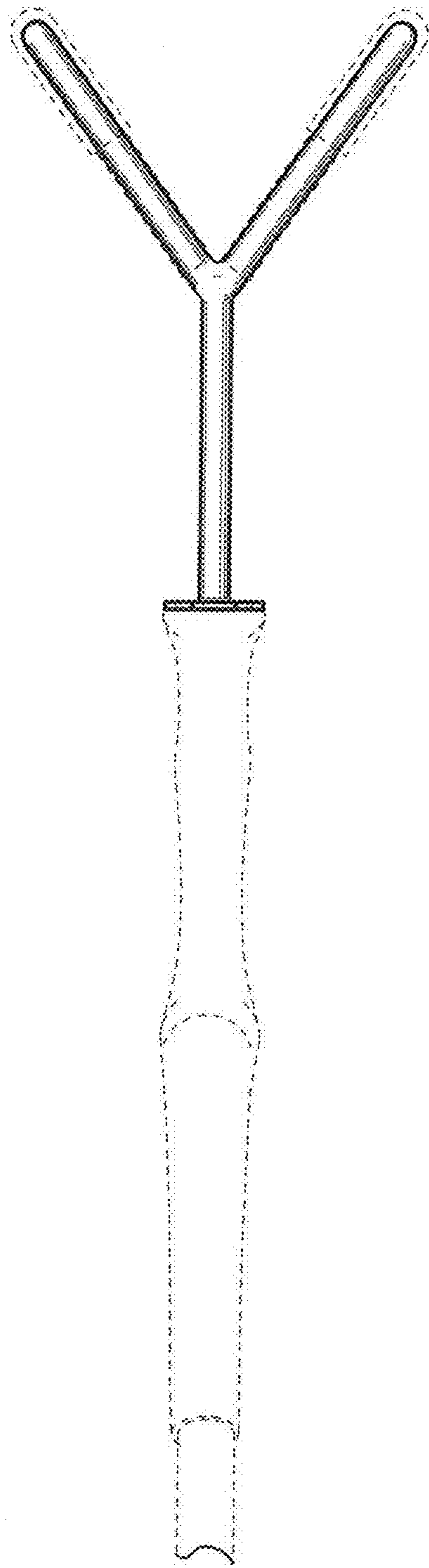


FIG. 3

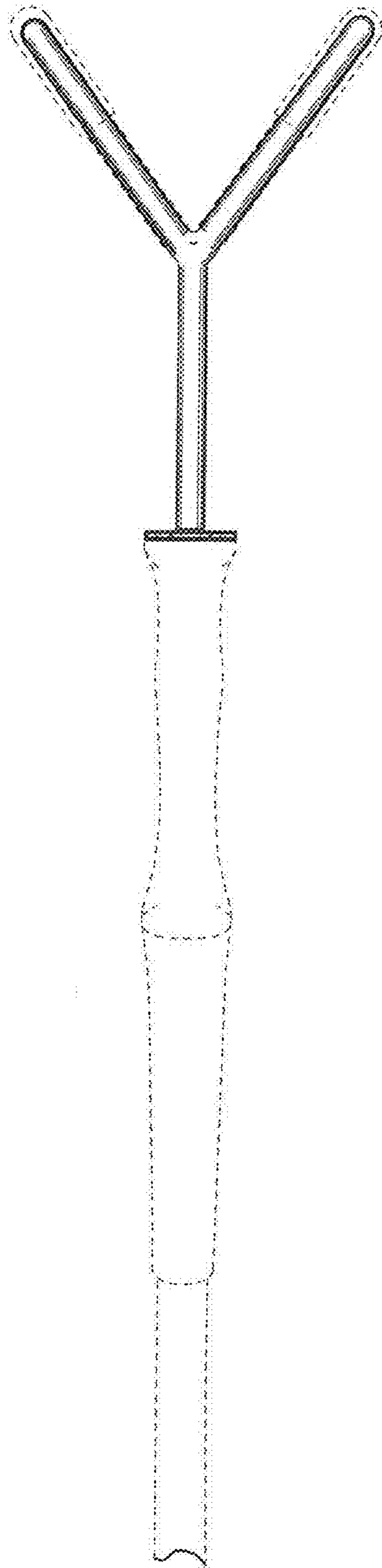


FIG. 4

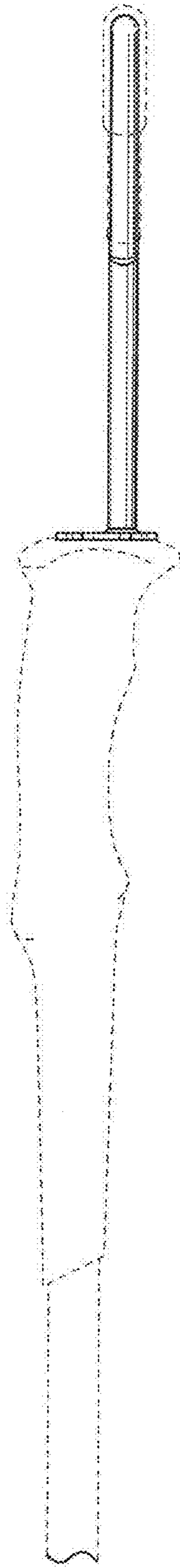


FIG. 5

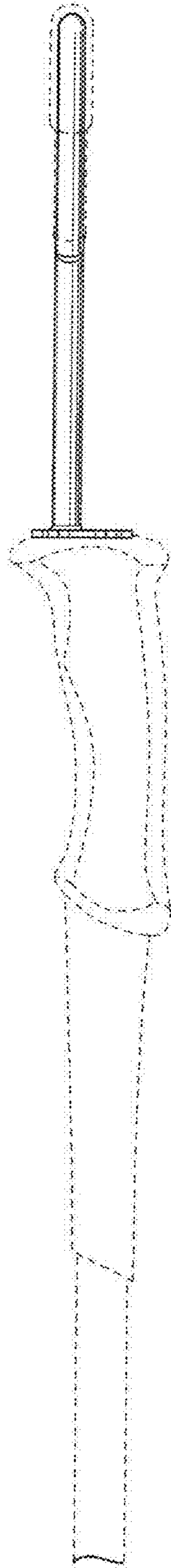


FIG. 6

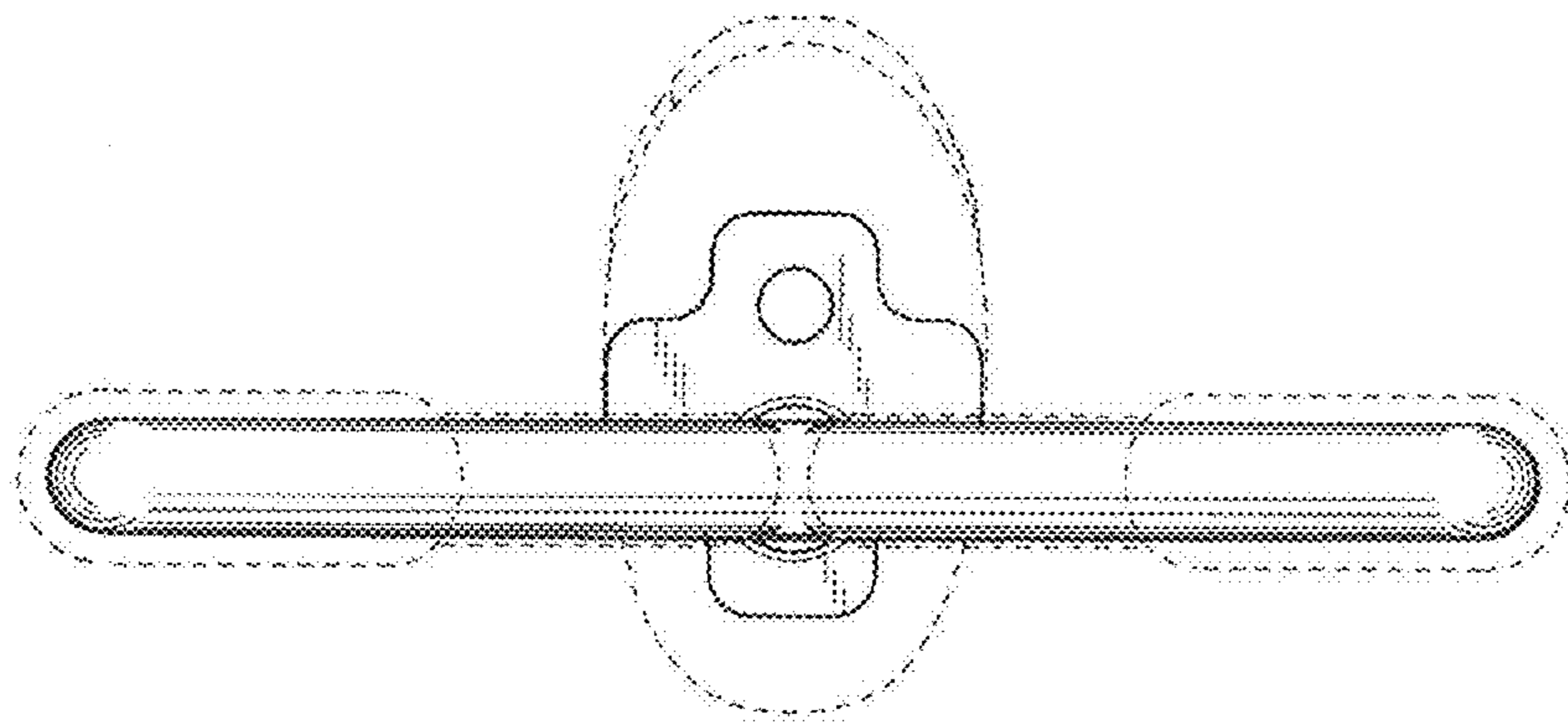


FIG. 7

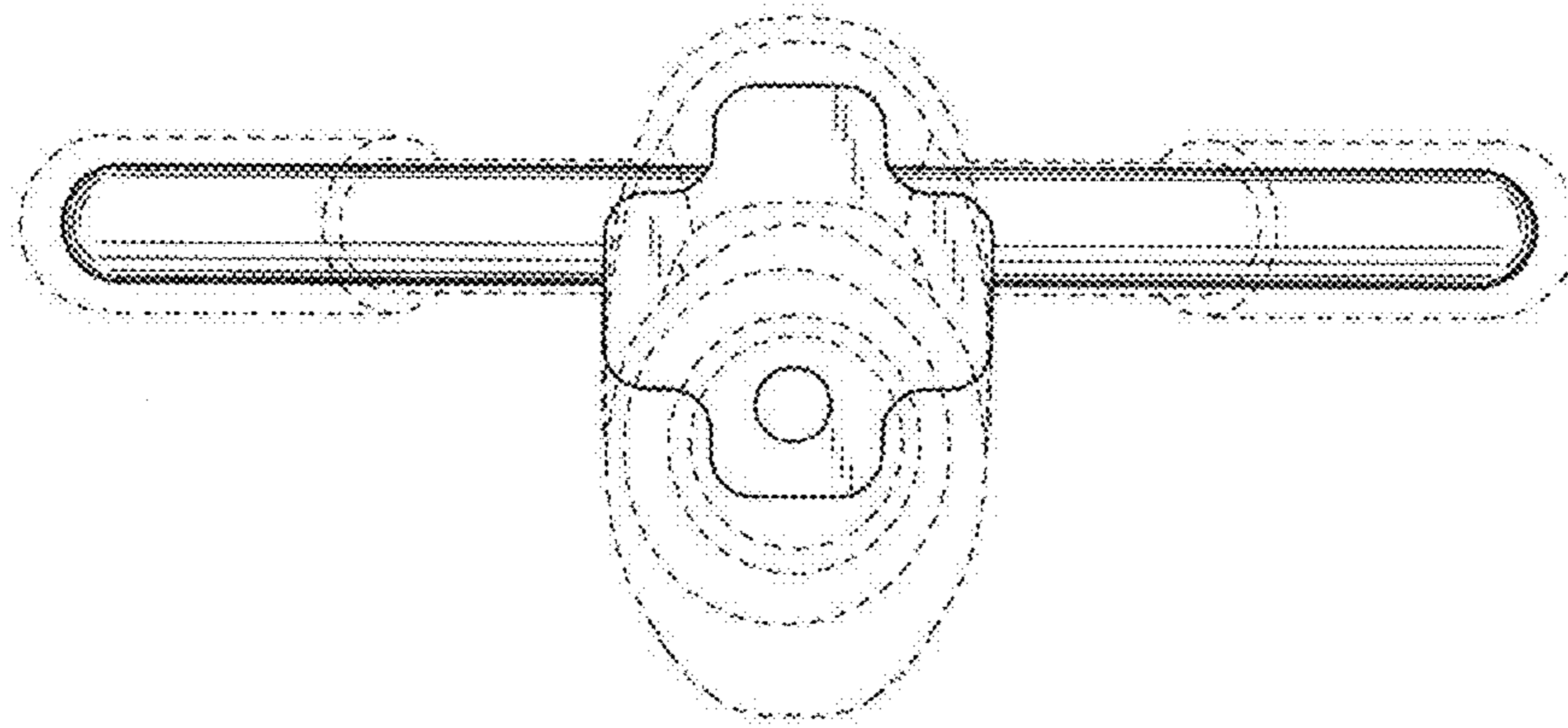


FIG. 8