



US00D854110S

(12) **United States Design Patent**
Reavis, III

(10) **Patent No.:** **US D854,110 S**
(45) **Date of Patent:** **** Jul. 16, 2019**

- (54) **ARM BRACE FOR A HANDGUN**
- (71) Applicant: **Johnson Paul Reavis, III**, Christiana, TN (US)
- (72) Inventor: **Johnson Paul Reavis, III**, Christiana, TN (US)
- (73) Assignee: **Gear Head Works, LLC**, Christiana, TN (US)
- (**) Term: **15 Years**
- (21) Appl. No.: **29/594,446**
- (22) Filed: **Feb. 17, 2017**
- (51) **LOC (11) Cl.** **22-01**
- (52) **U.S. Cl.**
USPC **D22/108**
- (58) **Field of Classification Search**
USPC D22/100, 103, 108–109; D21/572–575; D8/68; 89/111–113; 359/399, 823, 744;
(Continued)

- (56) **References Cited**
U.S. PATENT DOCUMENTS
28,433 A * 5/1860 Alsop F41C 23/04
42/72
815,609 A * 3/1906 Martin F41C 23/04
42/72
(Continued)

OTHER PUBLICATIONS

Best AR-15 Pistol Braces [2018]: All Budgets, PewPewTactical.com, Feb. 20, 2018, Brandon Harville, [online], [site visited Jun. 7, 2018]. <URL: <https://www.pewpewtactical.com/best-ar-pistol-braces/>> (Year: 2018).*

(Continued)

Primary Examiner — T Chase Nelson
Assistant Examiner — Jonathan J. Han

(74) *Attorney, Agent, or Firm* — Eric B. Fugett; Mark A. Pitchford; Pitchford Fugett, PLLC

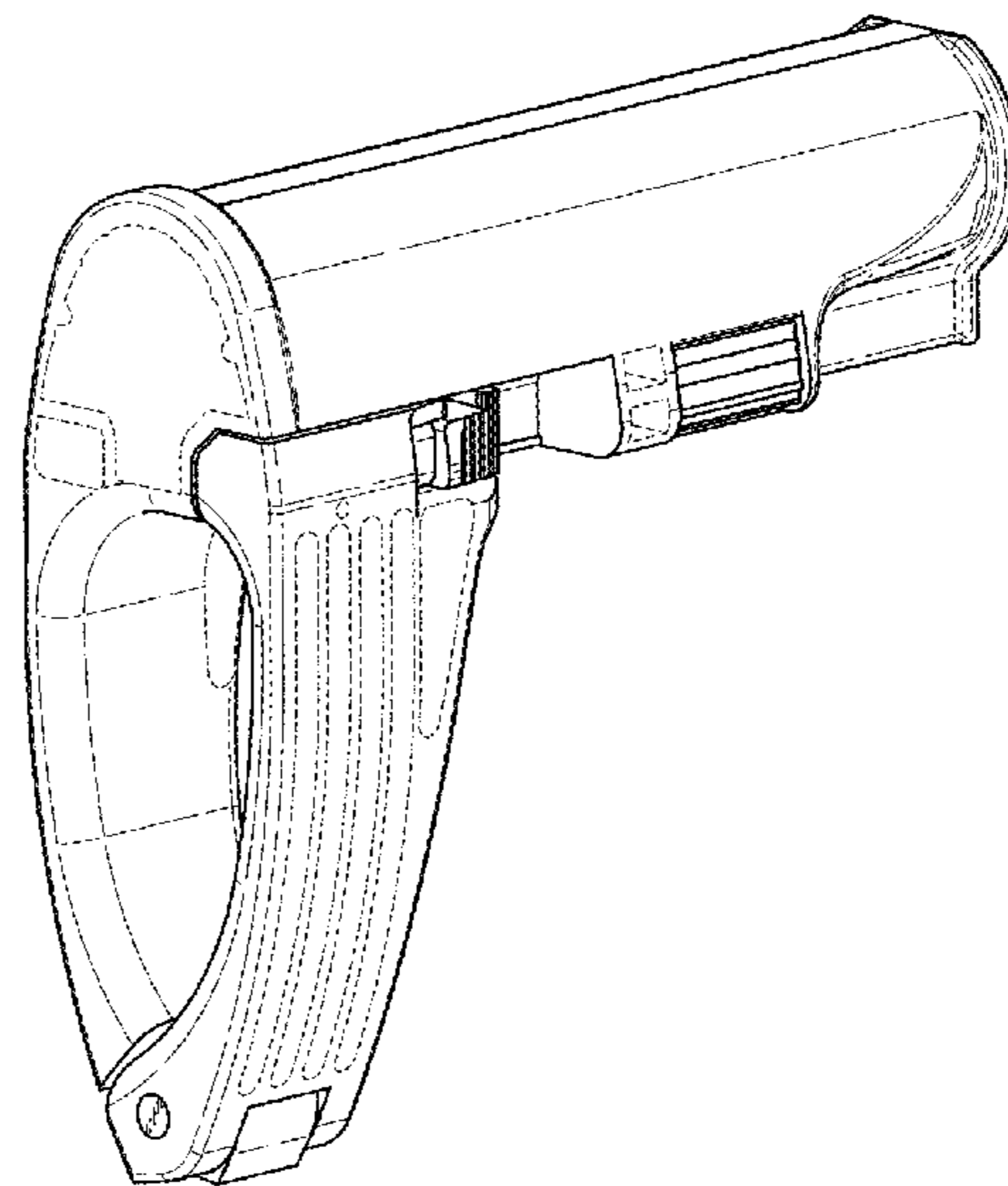
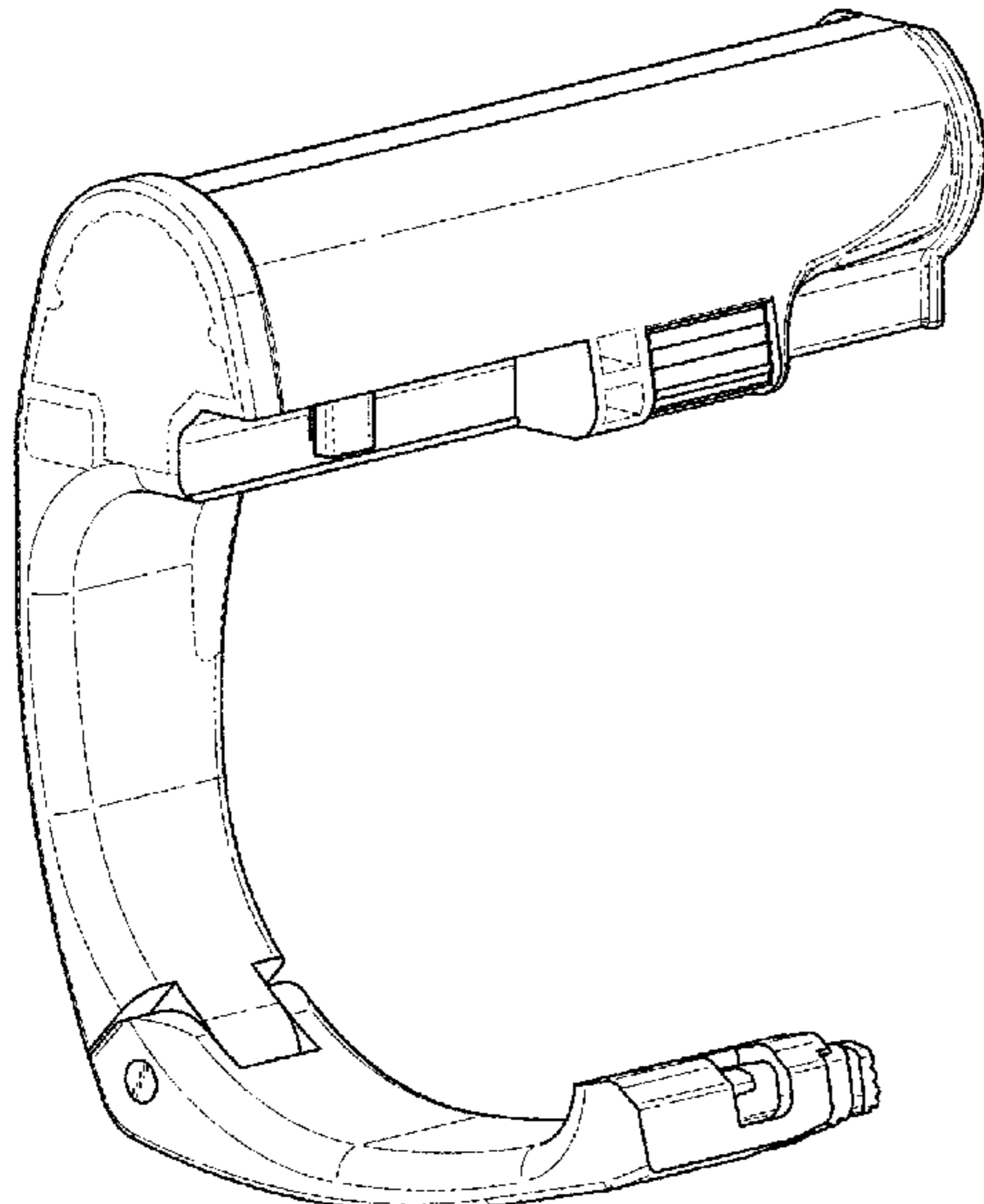
(57) **CLAIM**

What is claimed is the ornamental design for an arm brace for a handgun, as shown and described.

DESCRIPTION

FIG. 1 is a perspective view of an arm brace for a handgun showing the arm brace in a first configuration.
 FIG. 2 is a perspective view of the arm brace of FIG. 1 showing the arm brace in a second configuration.
 FIG. 3 is another perspective view of the arm brace of FIG. 1.
 FIG. 4 is another perspective view of the arm brace of FIG. 2.
 FIG. 5 is a right side elevational view of the arm brace of FIG. 1.
 FIG. 6 is a right side elevational view of the arm brace of FIG. 2.
 FIG. 7 is a left side elevational view of the arm brace of FIG. 1.
 FIG. 8 is a left side elevational view of the arm brace of FIG. 2.
 FIG. 9 is a rear elevational view of the arm brace of FIG. 1.
 FIG. 10 is a rear elevational view of the arm brace of FIG. 2.
 FIG. 11 is a front elevational view of the arm brace of FIG. 1.
 FIG. 12 is a front elevational view of the arm brace of FIG. 2.
 FIG. 13 is a bottom plan view of the arm brace of FIG. 1.
 FIG. 14 is a bottom plan view of the arm brace of FIG. 2.
 FIG. 15 is a top plan view of the arm brace of FIG. 1; and, FIG. 16 is a top plan view of the arm brace of FIG. 2.
 The broken lines depict portions of the arm brace for a handgun that form no part of the claimed design.

1 Claim, 7 Drawing Sheets



US D854,110 S

(58) **Field of Classification Search**

USPC 362/109–114; 42/90, 94, 104, 105,
42/111–114, 116, 117, 120, 124–126,
42/127–129, 131, 141–148, 133–140;
33/227, 229
CPC . F41G 1/35; F41G 11/003; F41G 1/00; F41G
1/36; F41G 1/34; F41G 3/26; F41C
23/10; F41C 23/18; F41C 23/14; F41C
23/16

See application file for complete search history.

(56) **References Cited**

U.S. PATENT DOCUMENTS

1,016,695 A * 2/1912 Kimmel F41C 23/12
42/72
1,477,445 A * 12/1923 Petritsch F41C 23/12
42/72
1,557,865 A * 10/1925 Neel F41C 23/12
42/72
1,877,016 A * 9/1932 Munson F41C 23/12
15/104.165
3,162,966 A * 12/1964 La Coss F41C 23/12
42/106
3,184,877 A * 5/1965 Andrews F41C 23/12
42/72
3,553,878 A * 1/1971 Canon F41A 23/02
42/72
3,609,902 A * 10/1971 Casull F41C 23/12
42/62
3,648,396 A * 3/1972 Smith F41C 23/12
42/72
3,740,886 A * 6/1973 Canon F41A 23/02
42/72
3,798,818 A * 3/1974 Casull F41C 23/12
42/72
D231,828 S * 6/1974 Canon 42/71.01
4,271,623 A * 6/1981 Beretta F41C 23/12
42/71.02
4,291,482 A * 9/1981 Bresan F41C 23/14
42/72
4,989,358 A * 2/1991 Aronson F41C 23/12
42/72
5,092,070 A * 3/1992 Perkins F41C 23/12
42/71.02
5,180,874 A * 1/1993 Troncoso, Jr. F41C 23/12
42/71.02

8,051,596 B1 * 11/2011 Thomas, Jr. F41C 33/001
224/150
8,109,026 B1 2/2012 Bentley et al.
8,438,771 B1 * 5/2013 Boone F41C 23/14
42/72
8,662,064 B1 * 3/2014 Campbell F41B 5/1426
124/86
D706,896 S 6/2014 Bosco
8,869,444 B2 10/2014 Bosco
8,910,407 B2 * 12/2014 Singh F41C 23/12
42/71.02
D728,724 S 5/2015 Bosco
9,188,406 B2 * 11/2015 DenBleyker F41C 23/12
D745,941 S 12/2015 Bosco et al.
9,354,021 B2 5/2016 Bosco
D764,622 S 8/2016 Bosco et al.
9,423,207 B2 * 8/2016 Hunkley F41C 23/12
9,453,699 B1 9/2016 Barnett
9,459,073 B1 10/2016 Kloeppe
D774,618 S 12/2016 Bosco et al.
D780,279 S 2/2017 Bosco et al.
9,631,893 B2 * 4/2017 Gilmer F41C 27/22
9,651,335 B2 * 5/2017 DenBleyker F41C 23/12
9,664,477 B1 * 5/2017 Reavis, III F41C 27/22
9,869,524 B2 * 1/2018 Bubits F41C 27/20
D818,556 S * 5/2018 Kedairy D22/108
2002/0007579 A1 * 1/2002 Bubits F41C 23/12
42/72
2014/0053447 A1 2/2014 Singh
2014/0144061 A1 5/2014 Bosco
2016/0265872 A1 9/2016 Tarazi
2016/0282084 A1 9/2016 Hollis
2017/0219311 A1 * 8/2017 Reavis, III F41C 27/22

OTHER PUBLICATIONS

SBA3, SB-Tactical.com, [online], [site visited Jun. 7, 2018]. <URL: <https://www.sb-tactical.com/product/sba3/>> (Year: 2018).*

Sig Sauer Selling Arm Brace Individually . . . Again, TheFirearmBlog.com, Posted Mar. 18, 2015 by Nathan S., [online], [site visited Jun. 7, 2018]. <URL: <http://www.thefirearmblog.com/blog/2015/03/18/sig-sauer-selling-arm-brace-individually-again/>> (Year: 2015).*

Maxim Defense CQB Pistol PDW Brace for AR15 Black, RainierArms.com, [online], [site visited Jun. 7, 2018]. <URL: <https://www.rainierarms.com/maxim-defense-cqb-pistol-pdw-brace-for-ar15-black/>> (Year: 2018).*

Shockwave Technologies; the Blade Pistol Brace, http://shockwavetechnologies.com/site/?page_id=2316.

Franchi SPAS 12 Shotgun Manual.

* cited by examiner

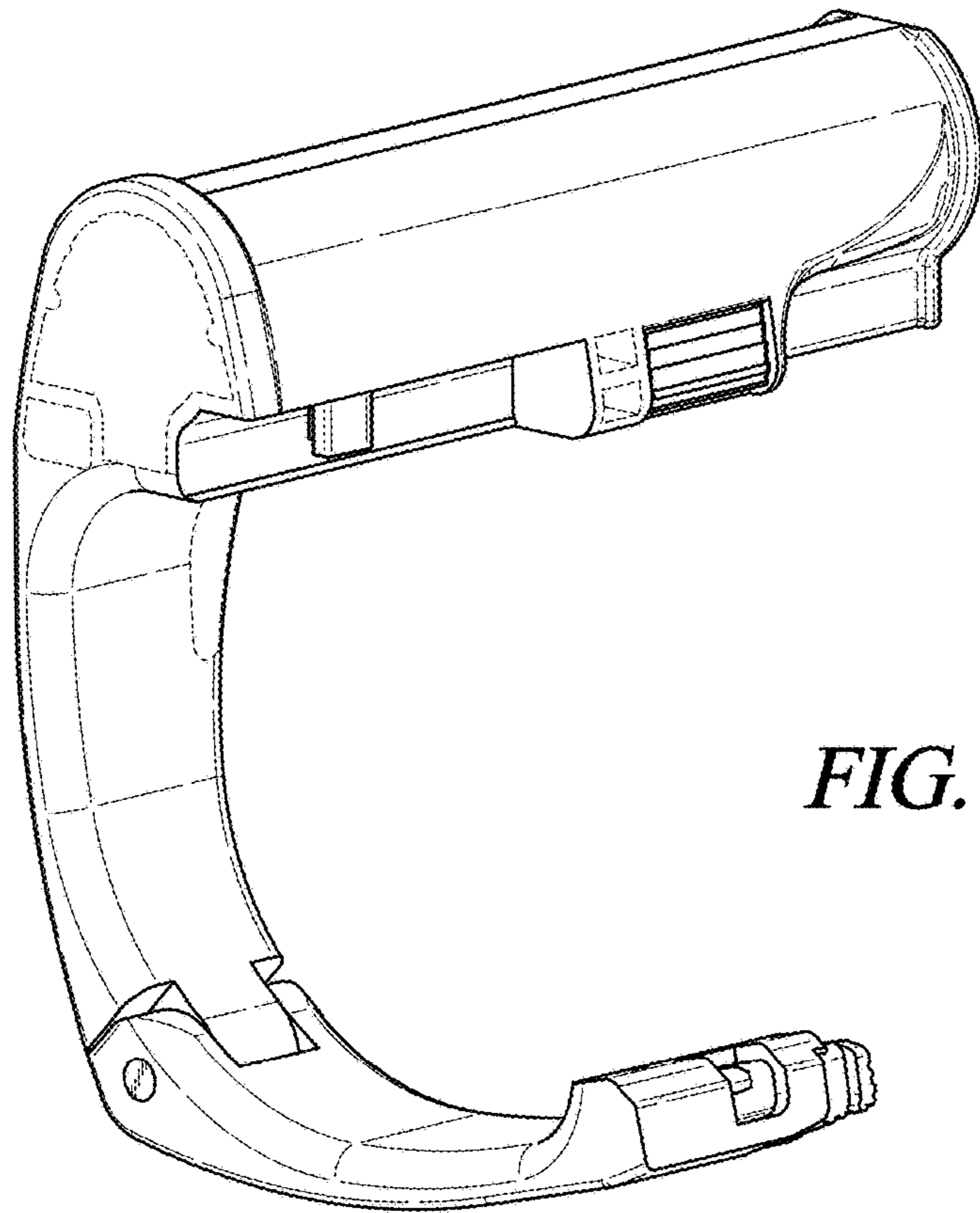


FIG. 1

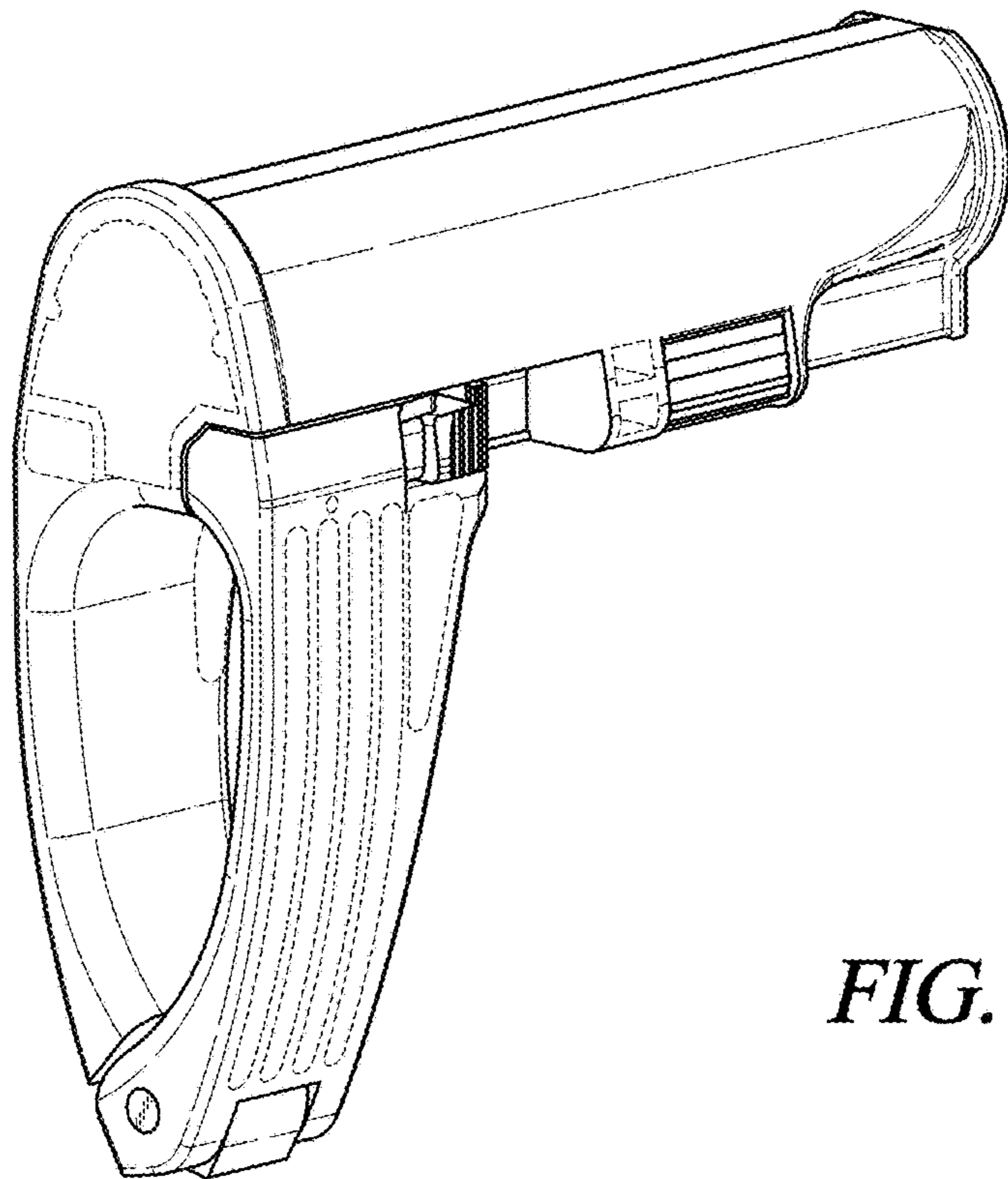


FIG. 2

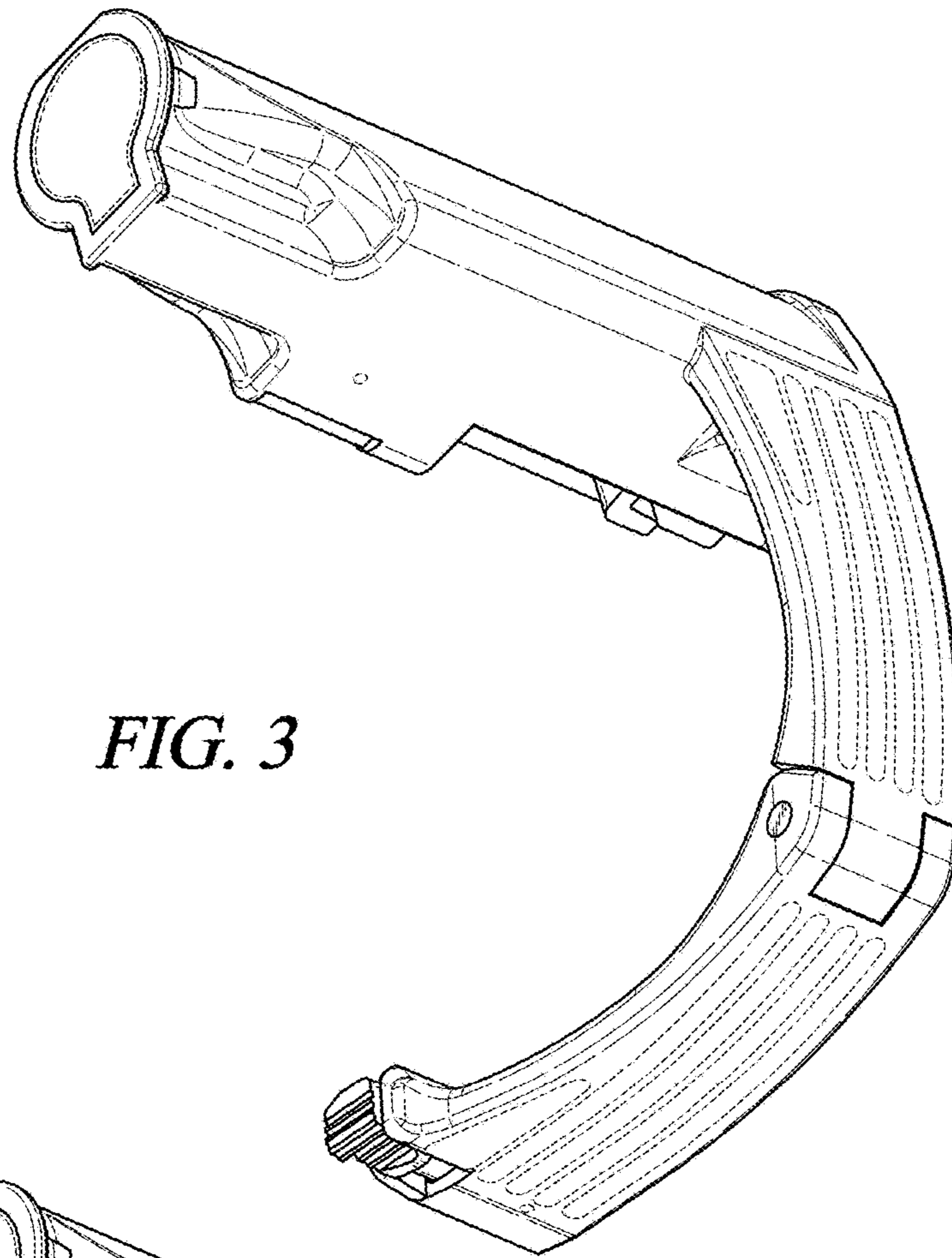


FIG. 3

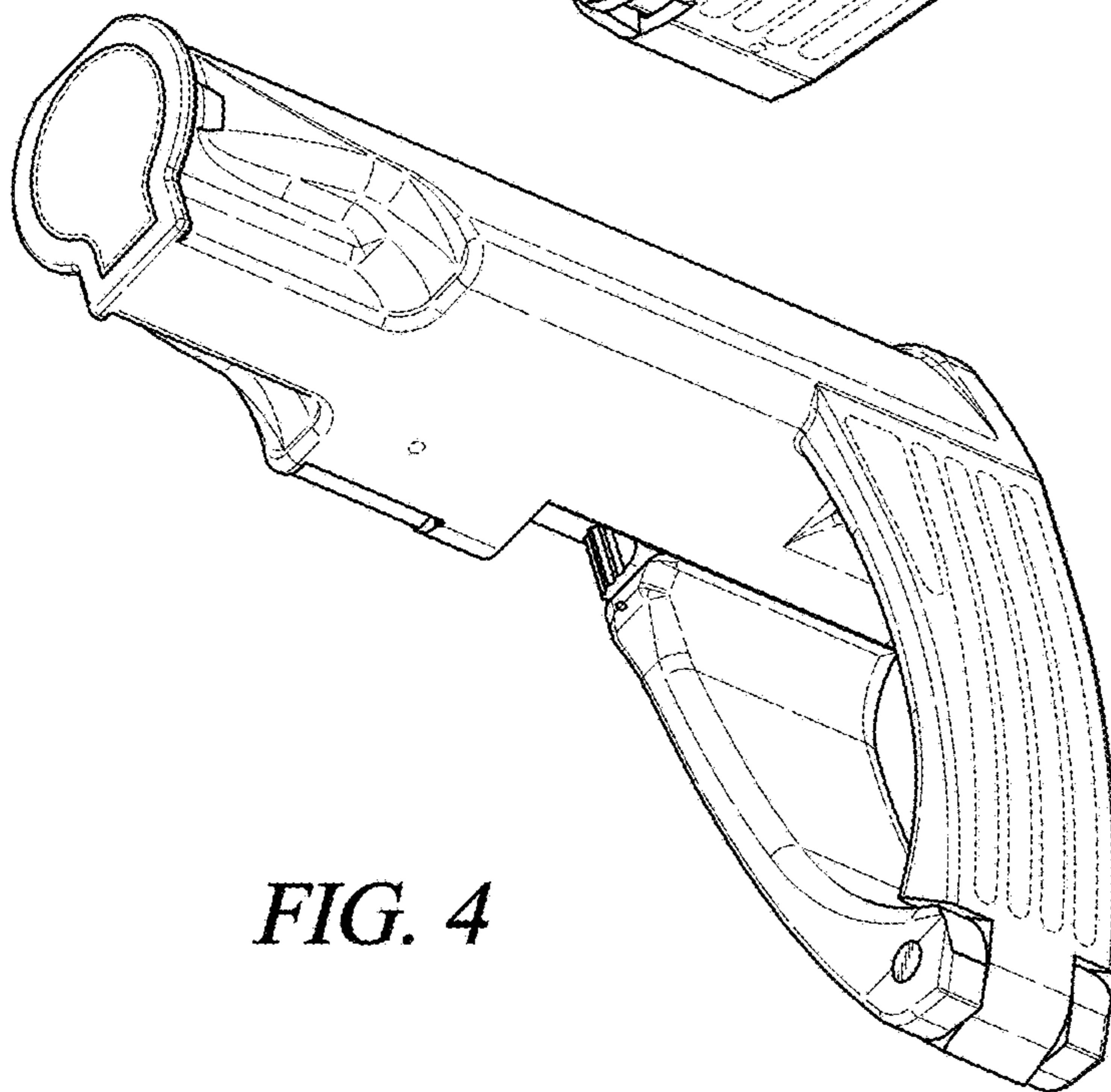


FIG. 4

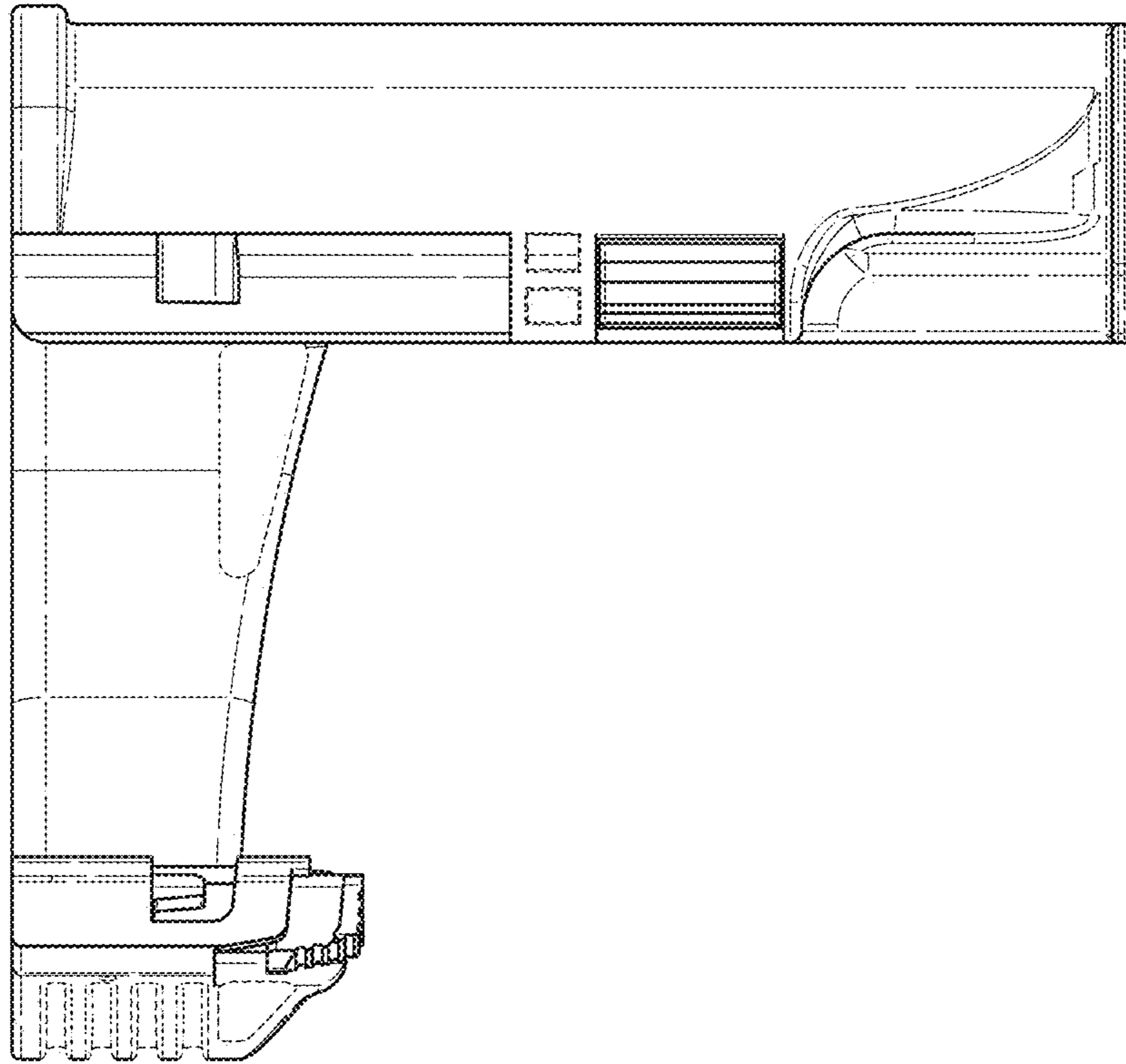


FIG. 5

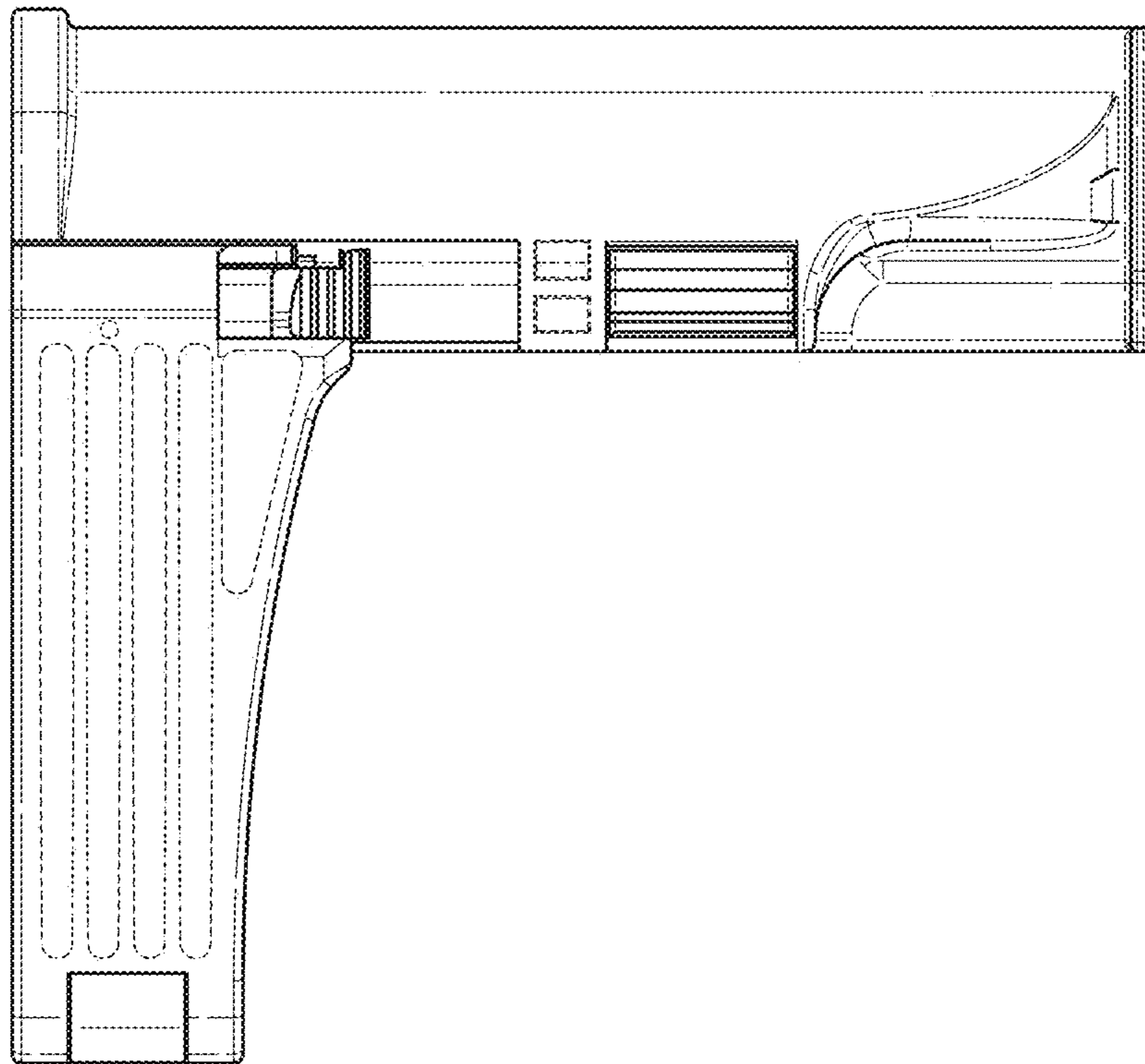


FIG. 6

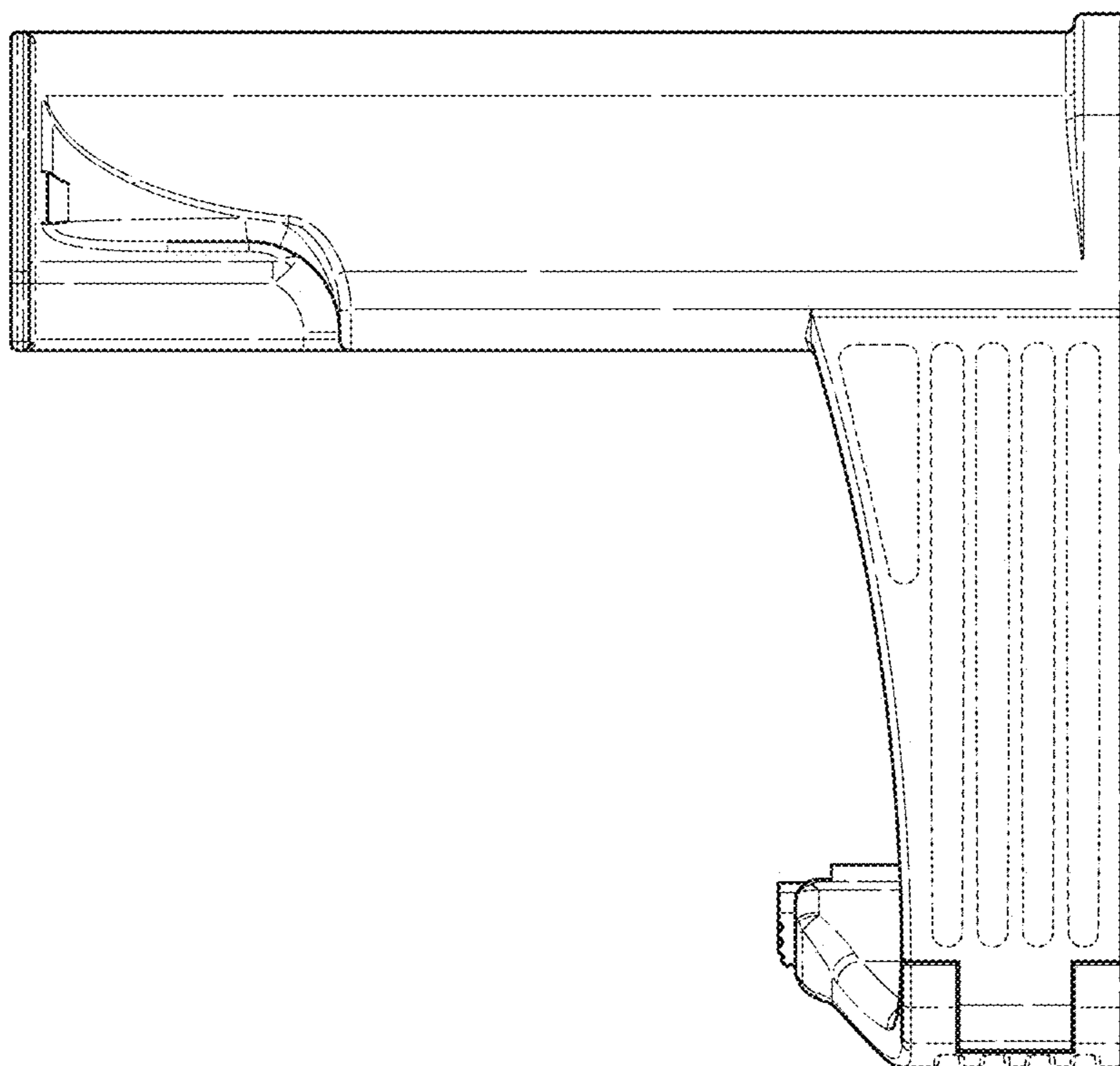


FIG. 7

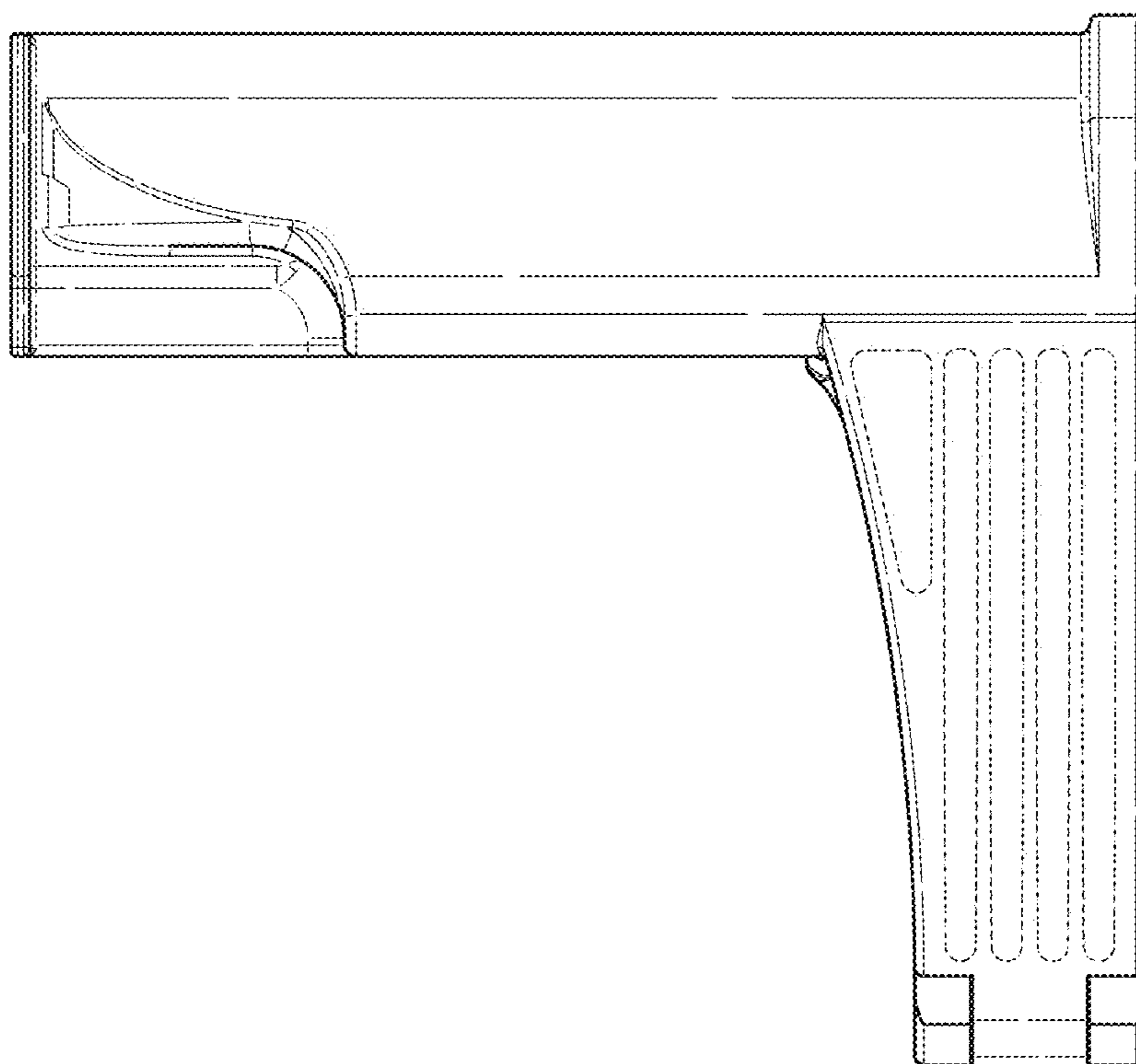


FIG. 8

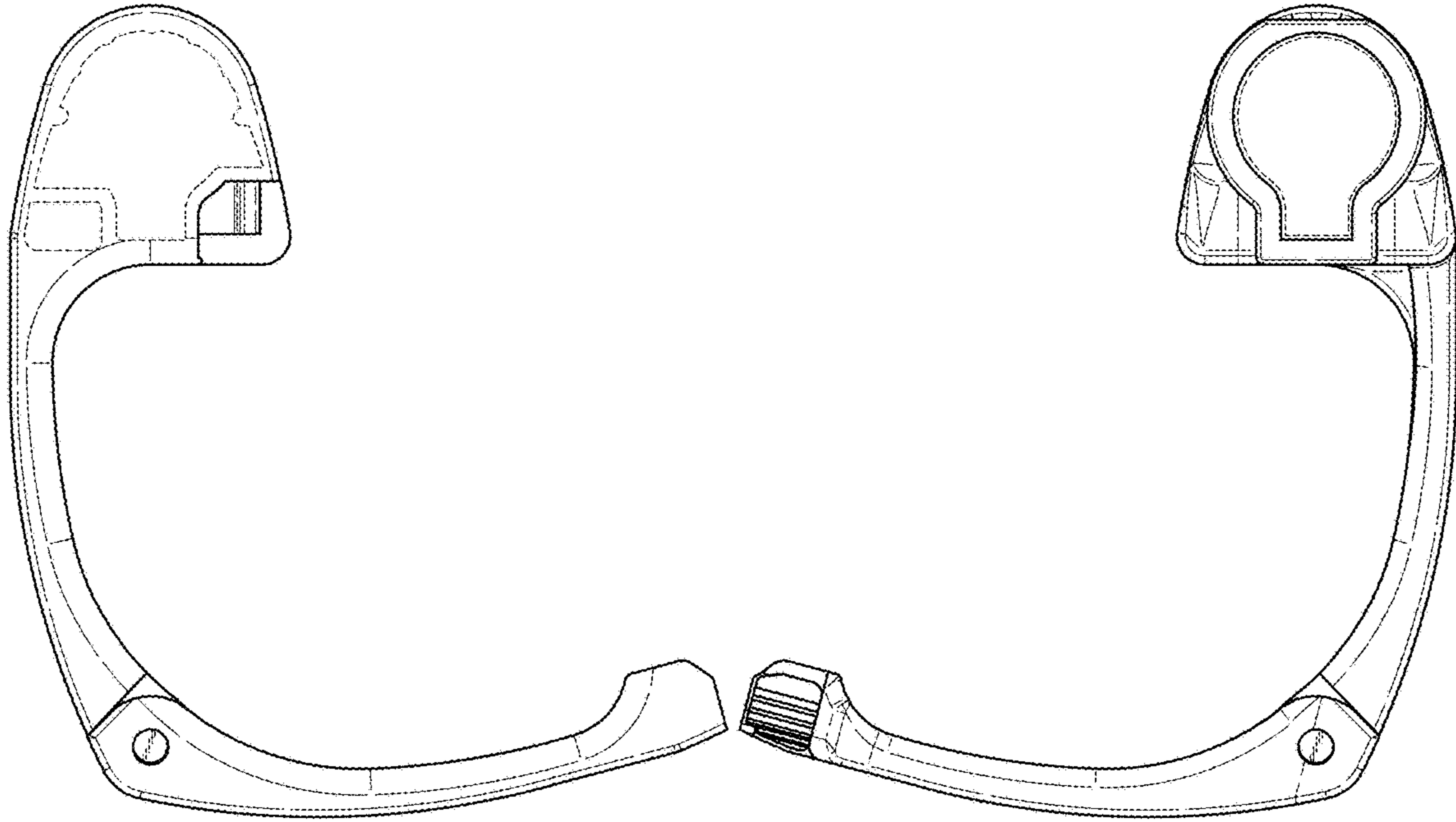


FIG. 9

FIG. 11

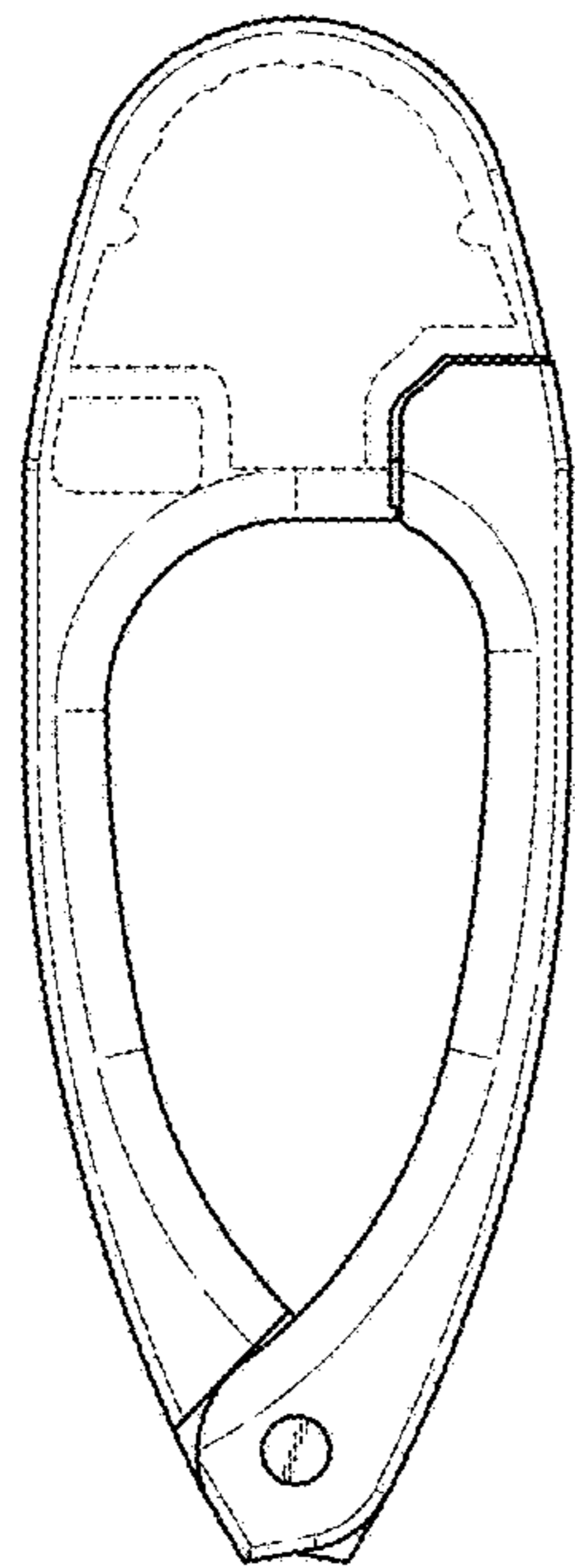


FIG. 10

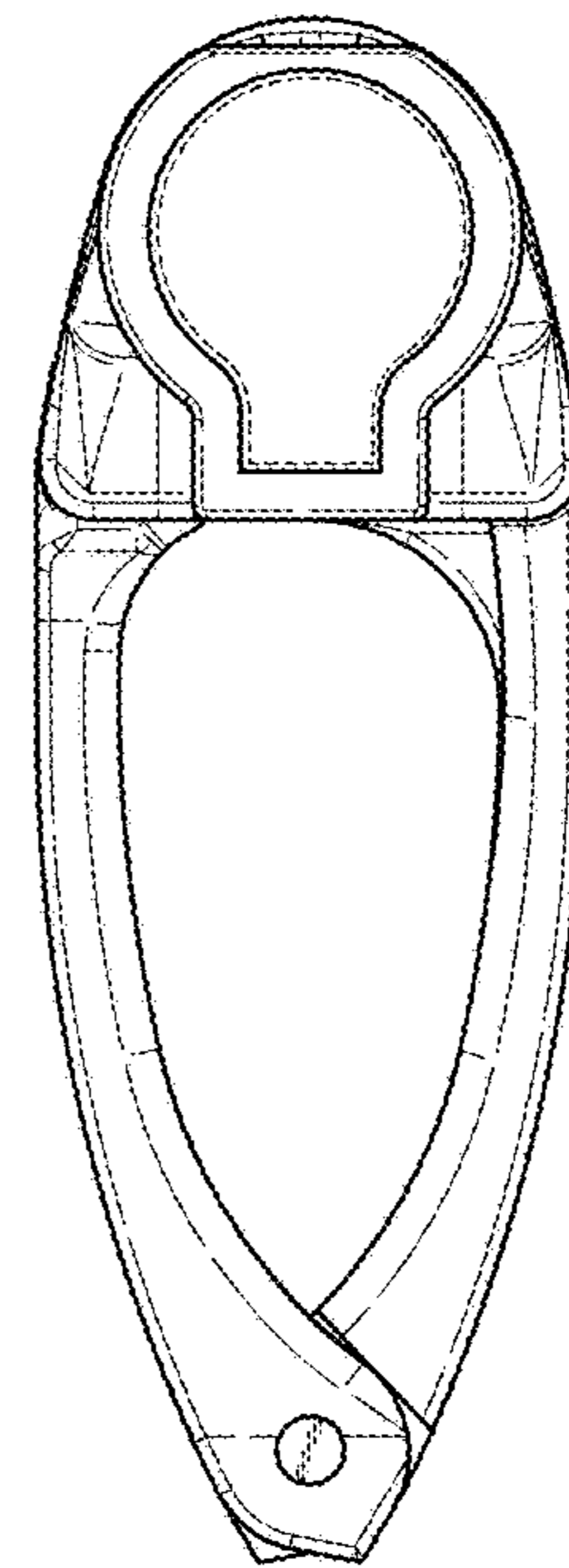


FIG. 12

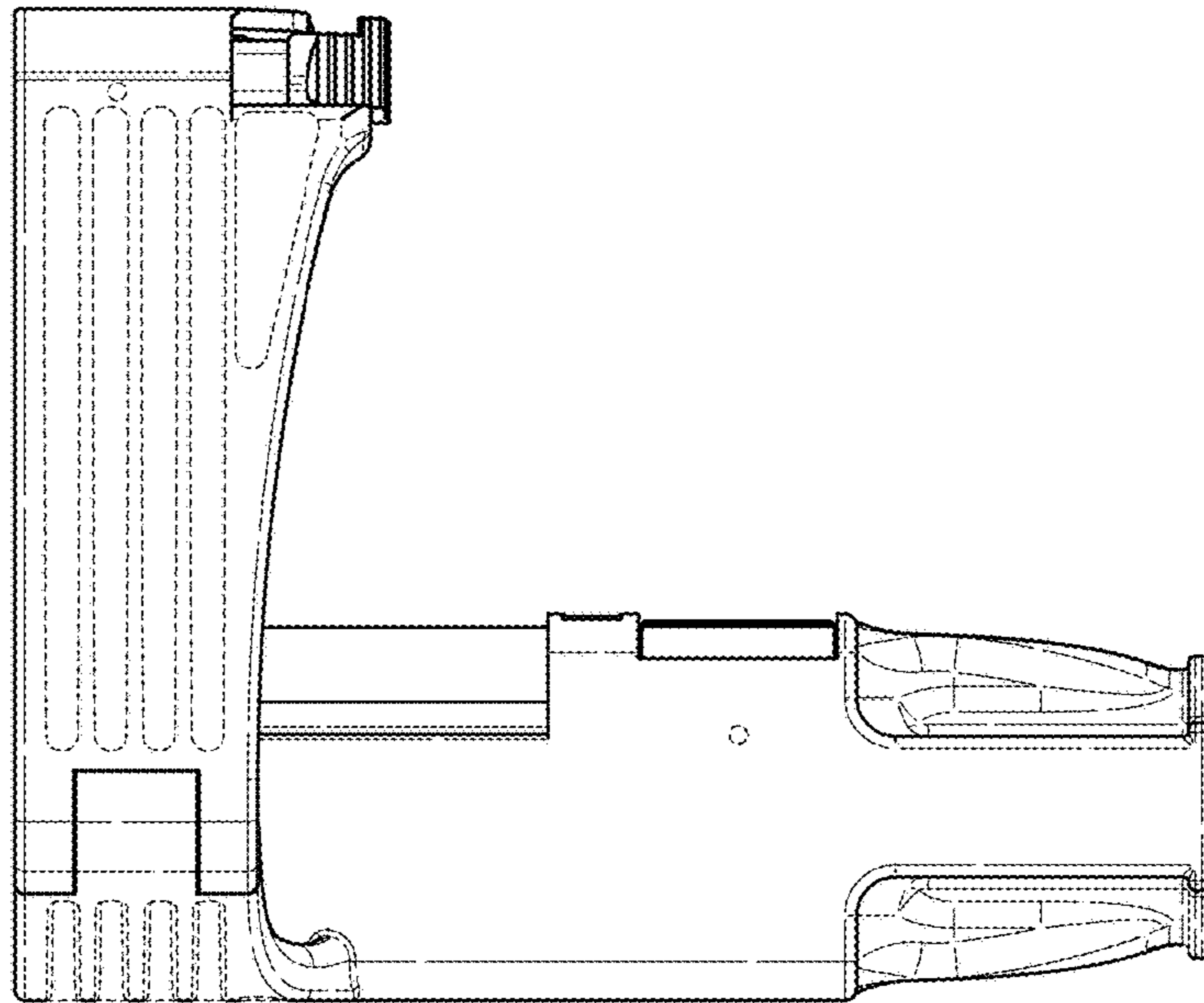


FIG. 13

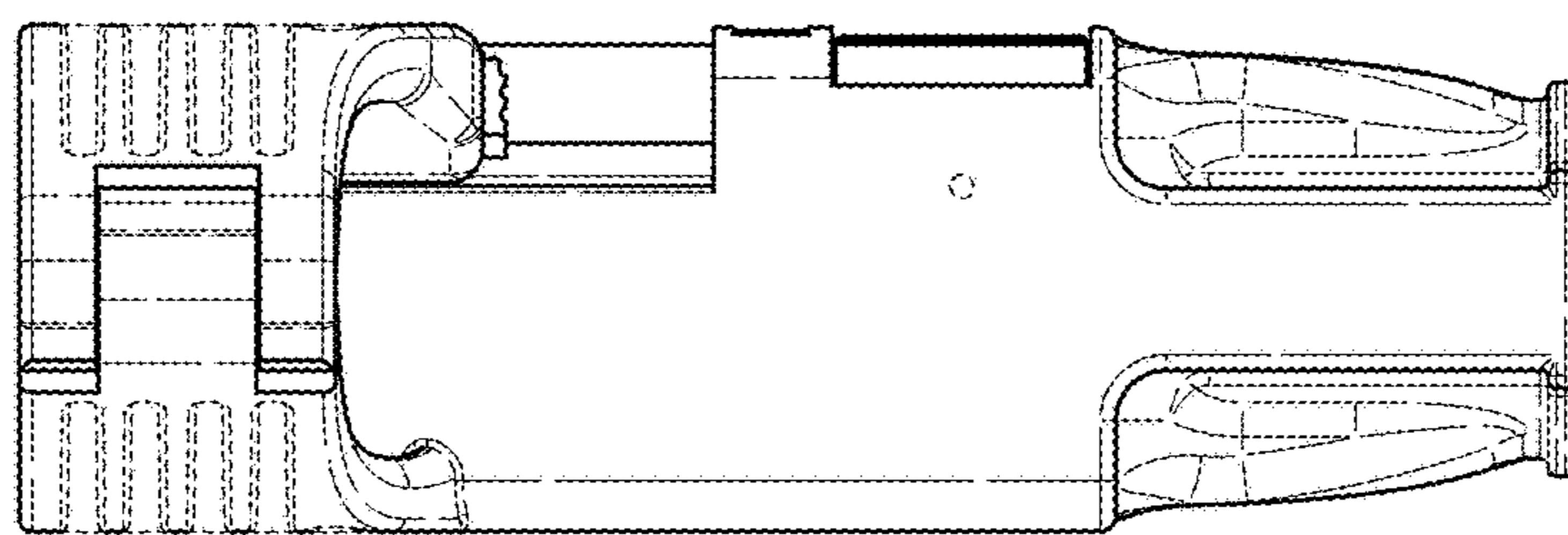


FIG. 14

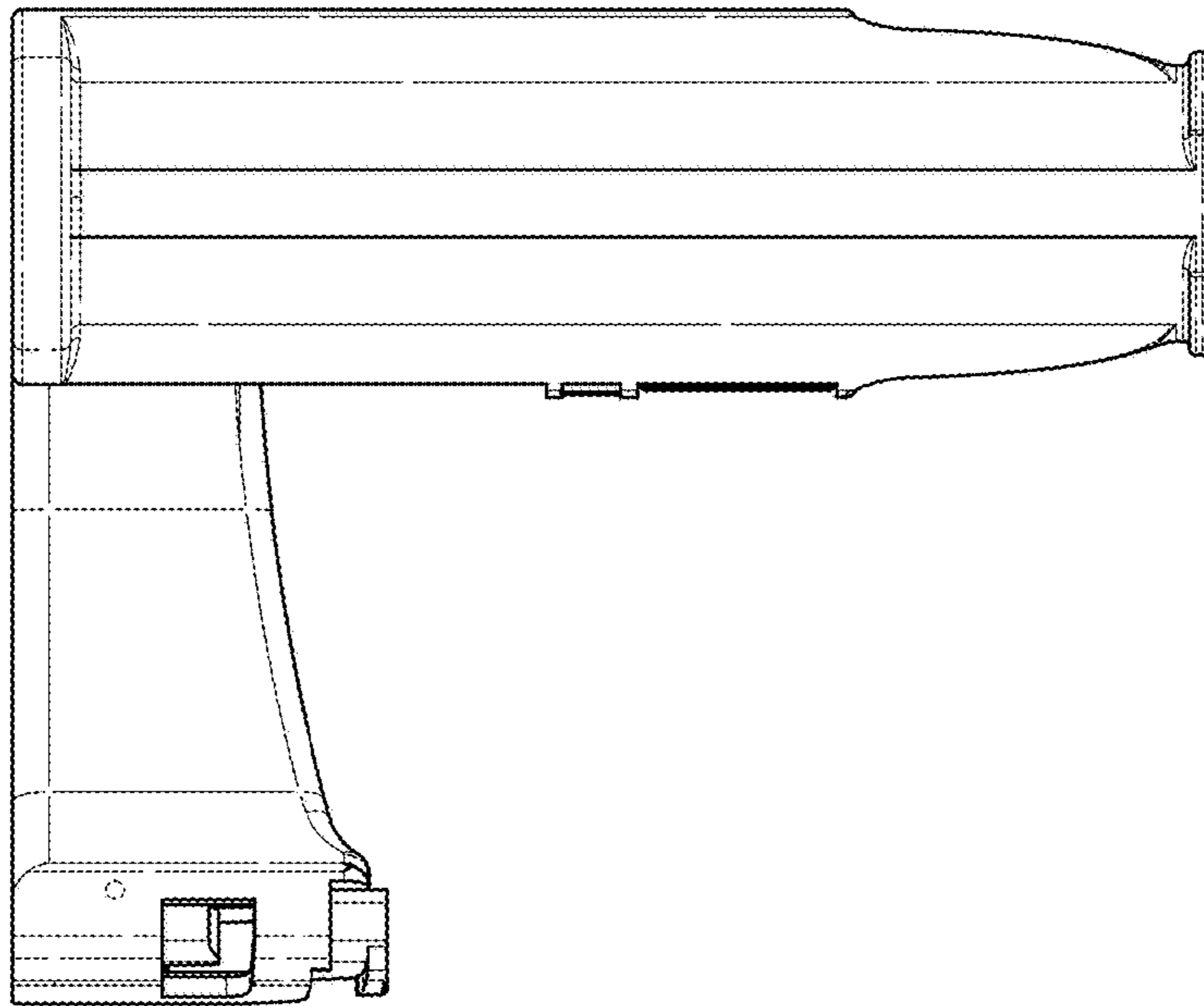


FIG. 15

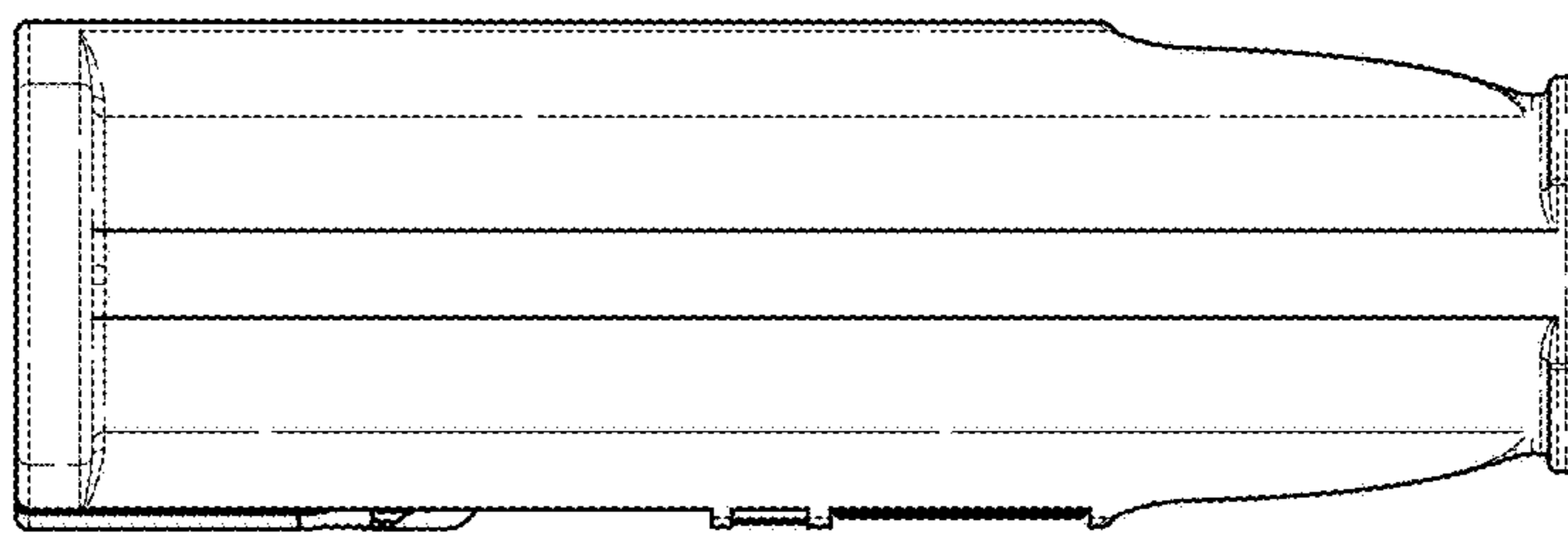


FIG. 16