

US00D854108S

(12) **United States Design Patent** (10) **Patent No.:** **US D854,108 S**  
**Menu** (45) **Date of Patent:** **\*\* Jul. 16, 2019**

(54) **ASSAULT RIFLE**

(56) **References Cited**

(71) Applicant: **FN HERSTAL SA**, Herstal (BE)

U.S. PATENT DOCUMENTS

(72) Inventor: **Philippe Menu**, Herstal (BE)

D702,793 S *	4/2014	Burt .....	D22/103
D724,168 S *	3/2015	Alis .....	D22/103
D789,476 S *	6/2017	Dustin .....	D22/103
D795,981 S *	8/2017	Martelli .....	D22/103
D815,710 S *	4/2018	Packard .....	D22/103
D819,765 S *	6/2018	Kafka .....	D22/103

(\*\*) Term: **15 Years**

\* cited by examiner

(21) Appl. No.: **35/504,655**

(22) Filed: **Jan. 30, 2018**

*Primary Examiner* — Michael A. Pratt

(80) **Hague Agreement Data**

(74) *Attorney, Agent, or Firm* — Ladas & Parry LLP

Int. Filing Date: **Jan. 30, 2018**

Int. Reg. No.: **DM/100189**

Int. Reg. Date: **Jan. 30, 2018**

Int. Reg. Pub. Date: **Mar. 23, 2018**

(57) **CLAIM**

The ornamental design for an assault rifle, as shown and described.

(51) **LOC (11) Cl.** ..... **22-01**

(52) **U.S. Cl.**

USPC ..... **D22/103**

(58) **Field of Classification Search**

USPC ..... D22/103

CPC ..... F41C 23/00; F41C 27/00; F41C 27/06;

F41C 23/10; F41C 23/14; F41C 23/16;

F41C 23/18; F41A 5/18; F41A 5/24;

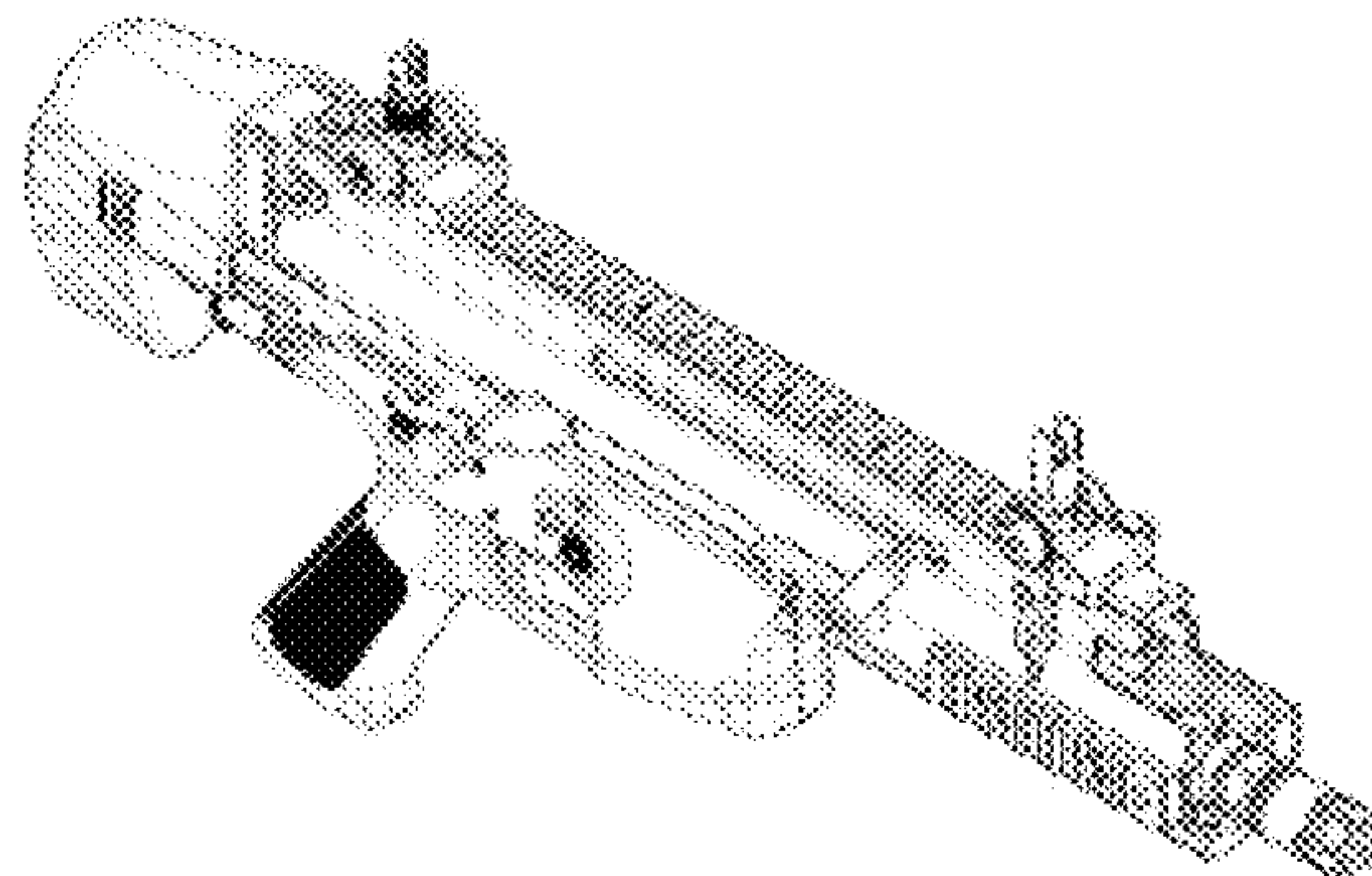
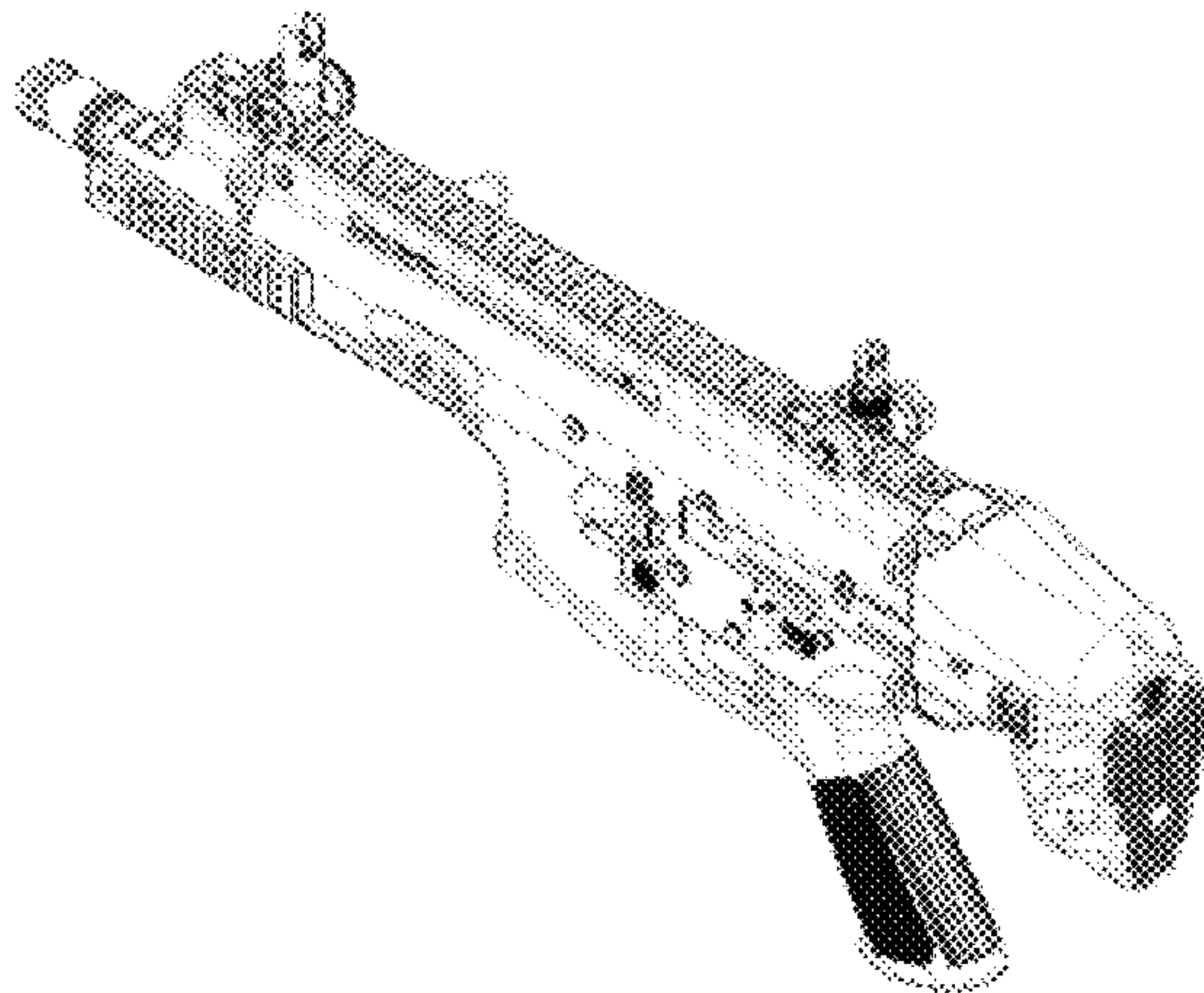
F41A 21/28

See application file for complete search history.

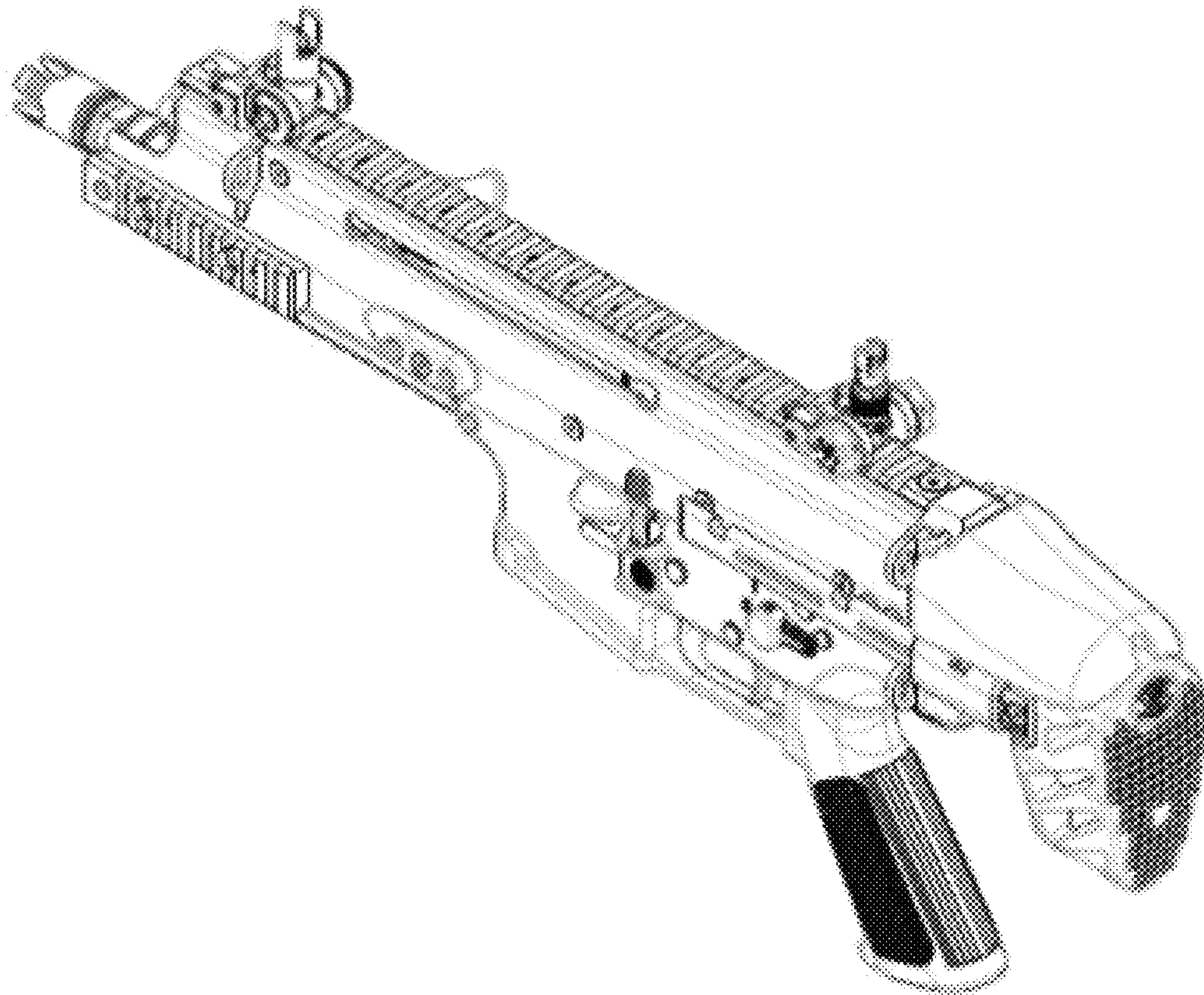
**DESCRIPTION**

1. Assault rifle
- 1.1 : Perspective
- 1.2 : Left
- 1.3 : Perspective
- 1.4 : Right
- 1.5 : Back
- 1.6 : Front
- 1.7 : Bottom
- 1.8 : Top

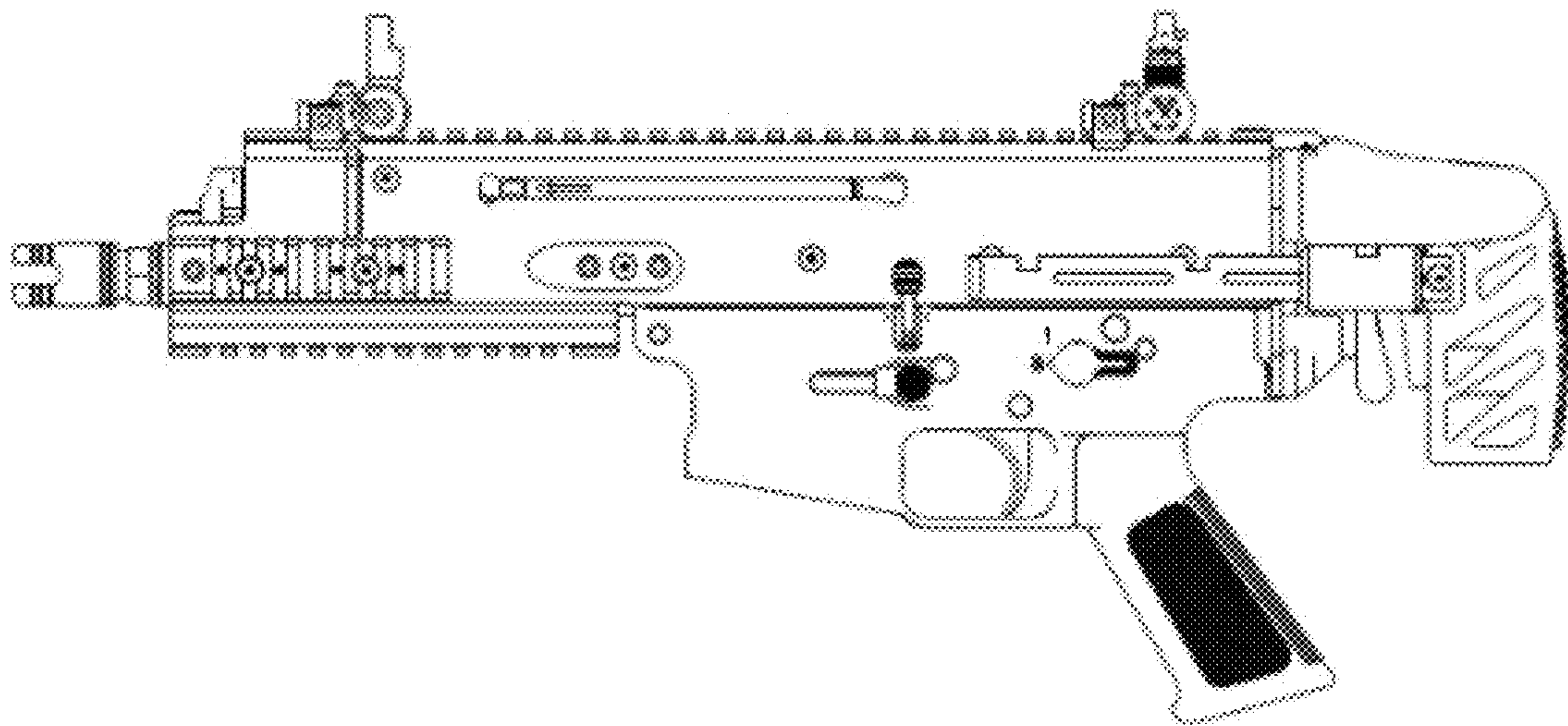
**1 Claim, 8 Drawing Sheets**



**1.1**

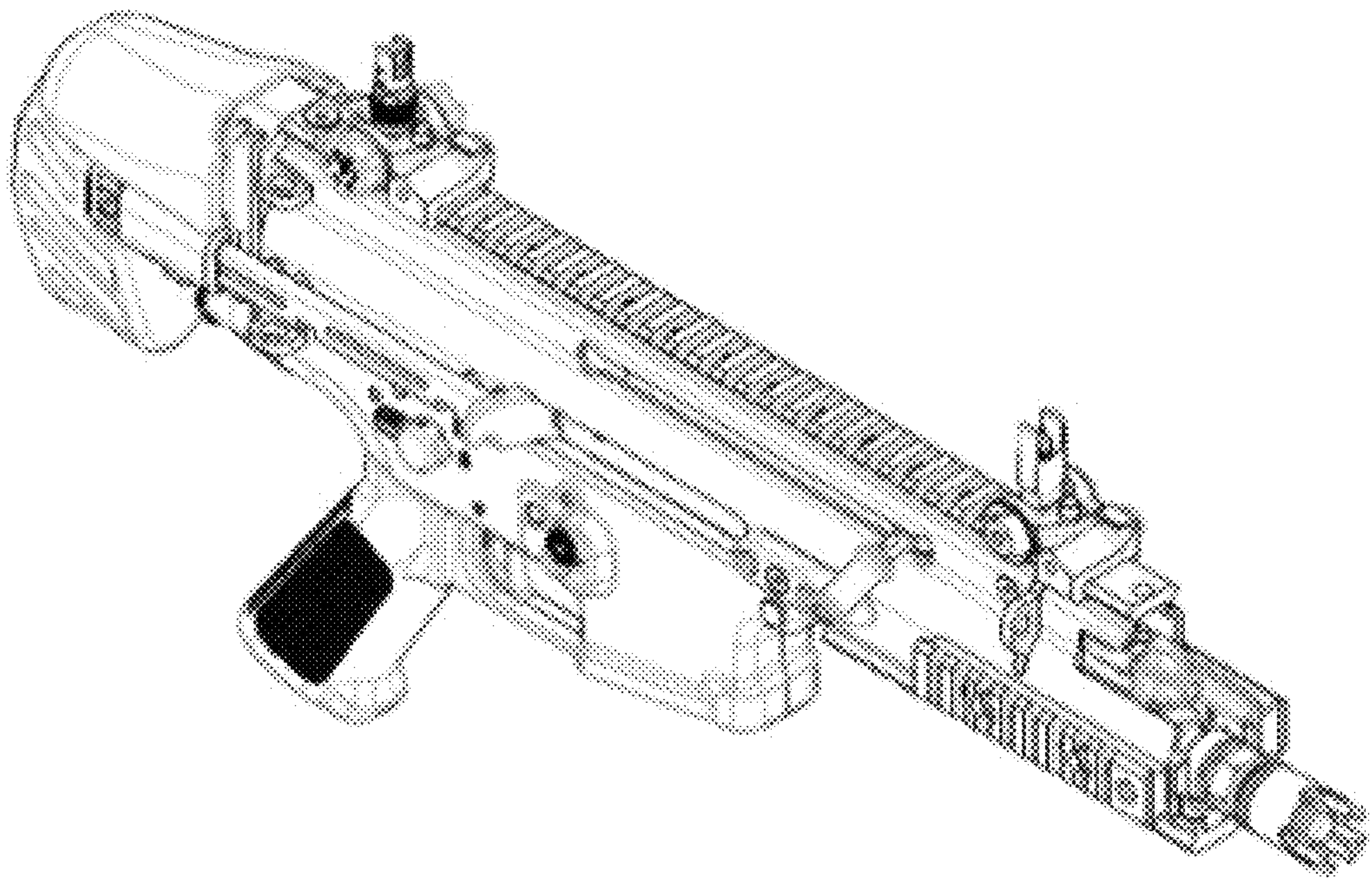


1.2

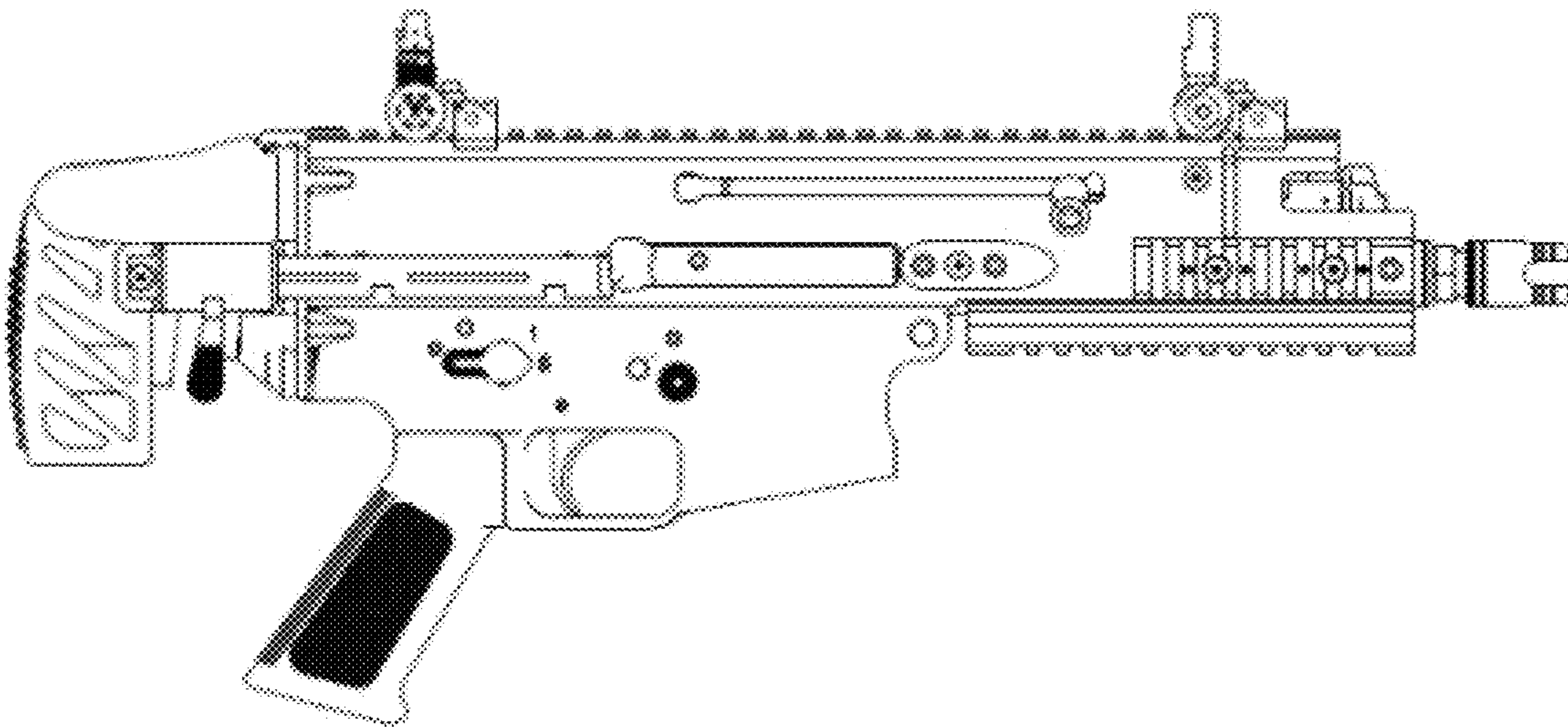




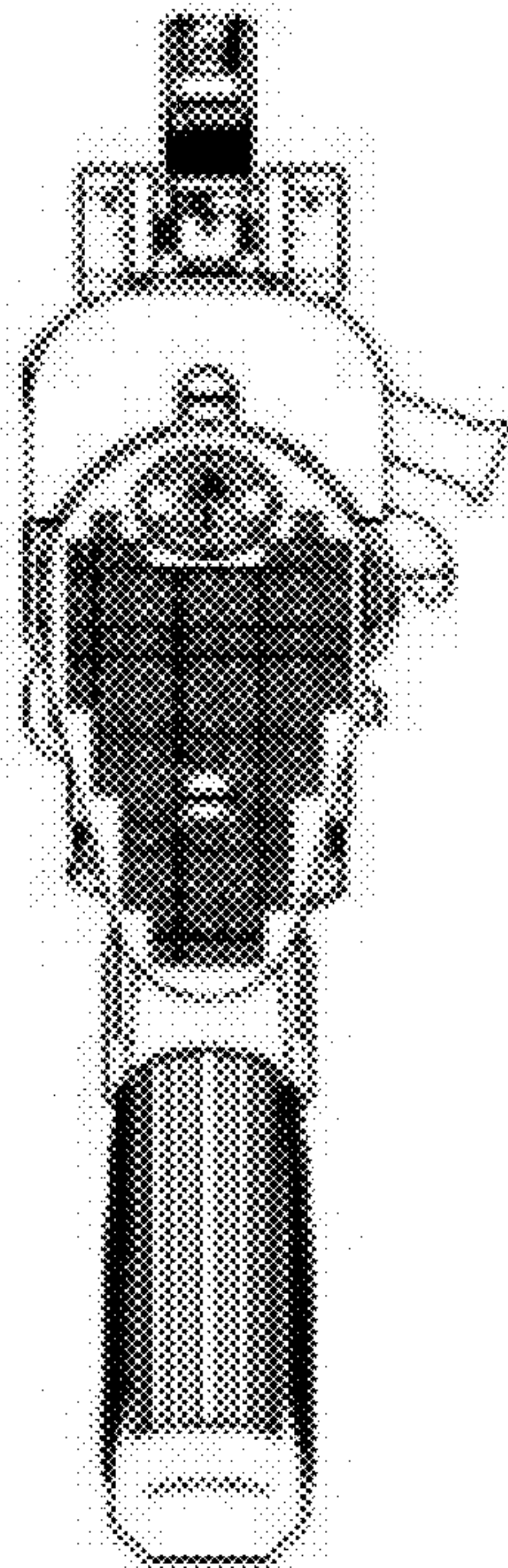
**1.3**



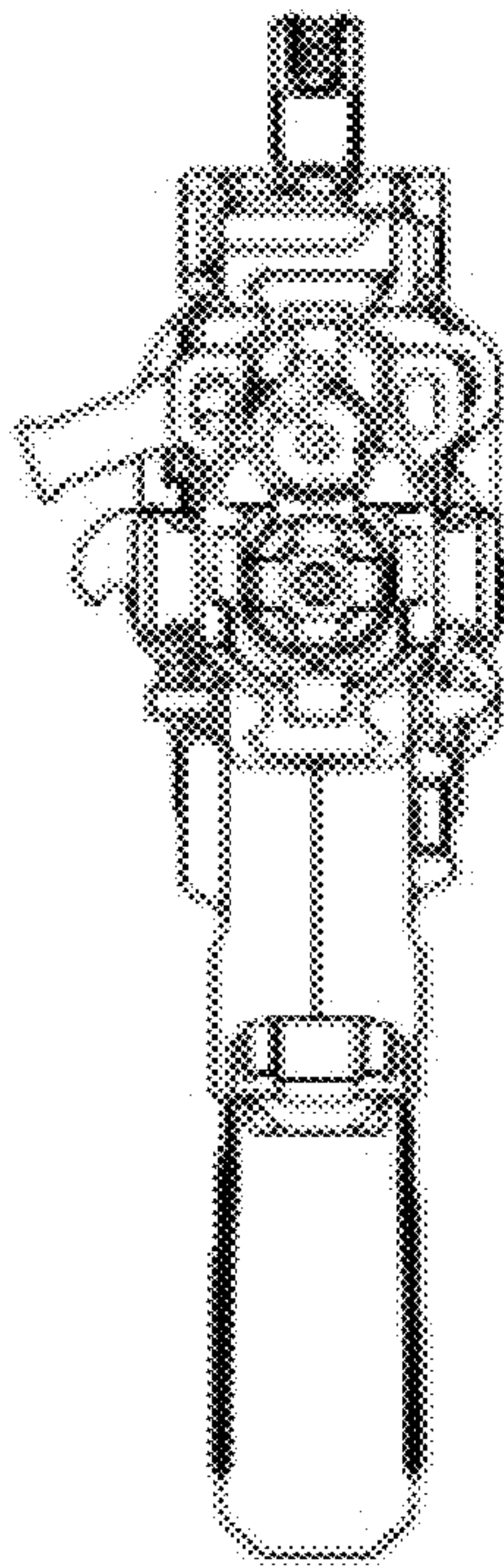
1.4



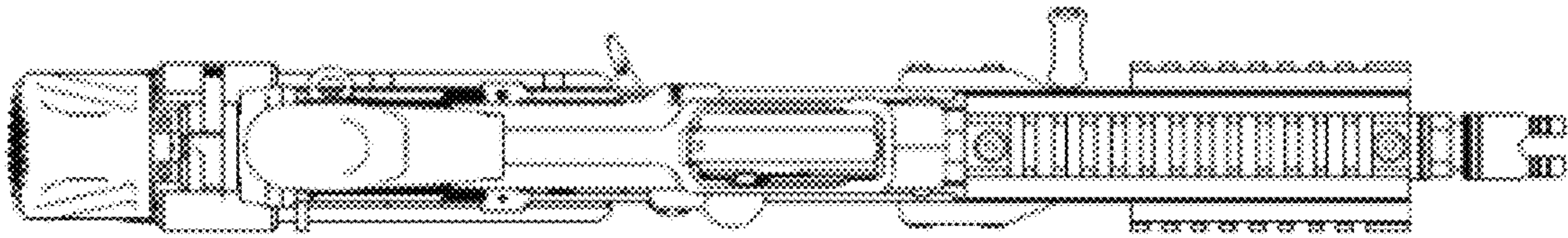
1.5



**1.6**



**1.7**





1.8

