



US00D854106S

(12) **United States Design Patent**
Chen

(10) **Patent No.:** **US D854,106 S**

(45) **Date of Patent:** **** Jul. 16, 2019**

- (54) **SWING**
- (71) Applicant: **Minglan Chen**, Huoqiu County (CN)
- (72) Inventor: **Minglan Chen**, Huoqiu County (CN)
- (73) Assignee: **BLUE ISLAND HOLDING GROUP (US) INC**, Brighton, CO (US)
- (**) Term: **15 Years**
- (21) Appl. No.: **29/633,554**
- (22) Filed: **Jan. 15, 2018**
- (51) **LOC (11) Cl.** **21-03**
- (52) **U.S. Cl.**
USPC **D21/823**
- (58) **Field of Classification Search**
USPC D21/811, 814, 822-825
CPC A63G 9/00-9/22
See application file for complete search history.

D273,967 S *	5/1984	Budde	D21/825
D274,285 S *	6/1984	Budde	D21/825
D274,286 S *	6/1984	Budde	D21/825
D274,347 S *	6/1984	Budde	D21/825
D278,549 S *	4/1985	Kristich	D21/823
D340,275 S *	10/1993	Haun	D21/823
5,427,575 A *	6/1995	Berk	A63G 9/00 297/273
8,454,450 B1 *	6/2013	Cordray	A63G 9/00 472/118
9,067,146 B1 *	6/2015	Cordray	A63G 9/12
9,440,154 B1 *	9/2016	Cordray	A63G 9/12

* cited by examiner

Primary Examiner — Mitchell I. Siegel

(57) **CLAIM**

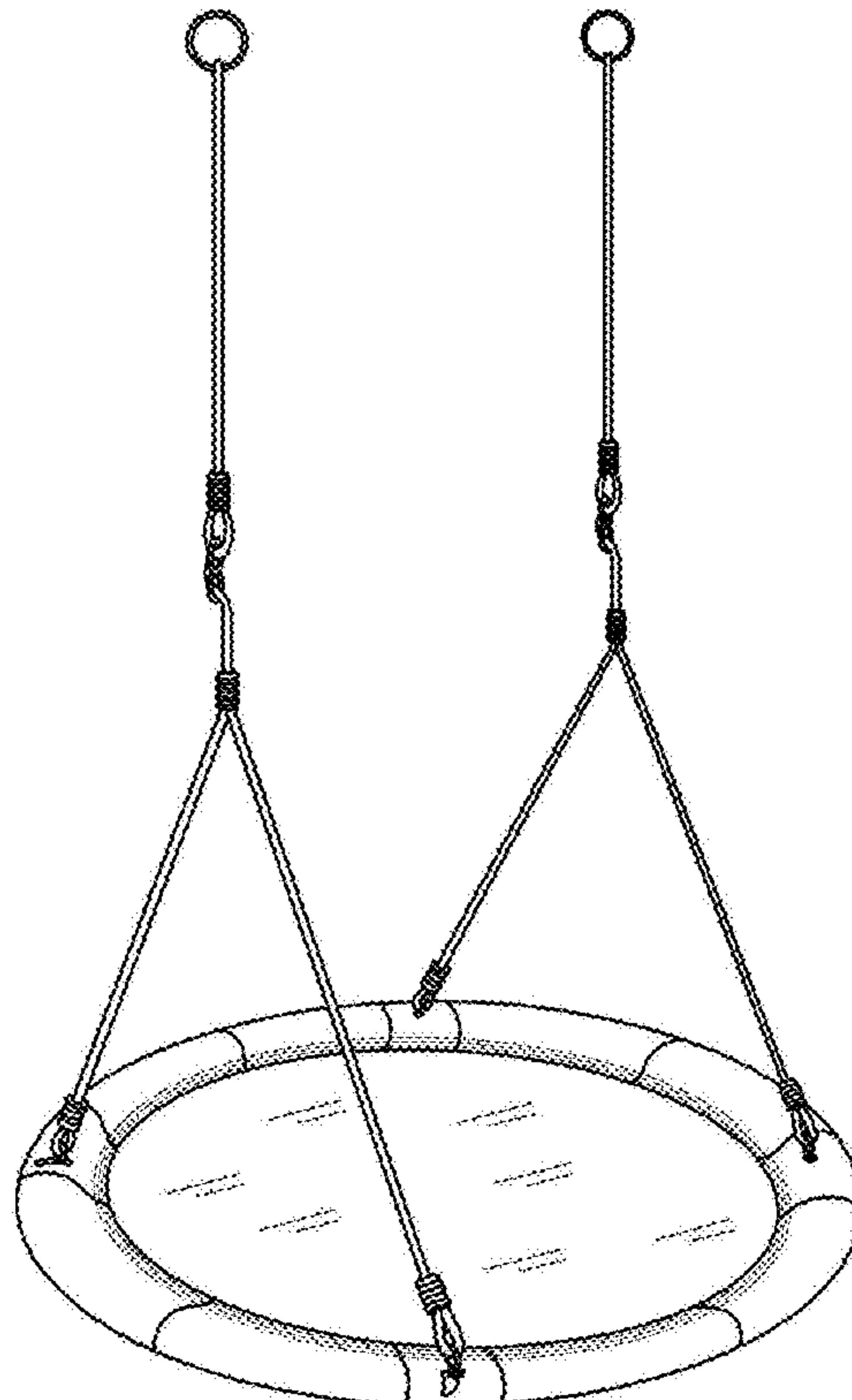
The ornamental design for a swing, as shown and described.

DESCRIPTION

FIG. 1 is a perspective view of a swing showing my new design;
 FIG. 2 is a front elevational view thereof;
 FIG. 3 is a rear elevational view thereof;
 FIG. 4 is a left side elevational view thereof;
 FIG. 5 is a right side elevational view thereof;
 FIG. 6 is a top plan view thereof; and,
 FIG. 7 is a bottom plan view thereof.

1 Claim, 7 Drawing Sheets

- (56) **References Cited**
U.S. PATENT DOCUMENTS
- 3,130,969 A * 4/1964 Groth A63G 9/02
297/273
- 3,937,463 A * 2/1976 Soisson A63G 9/00
472/118



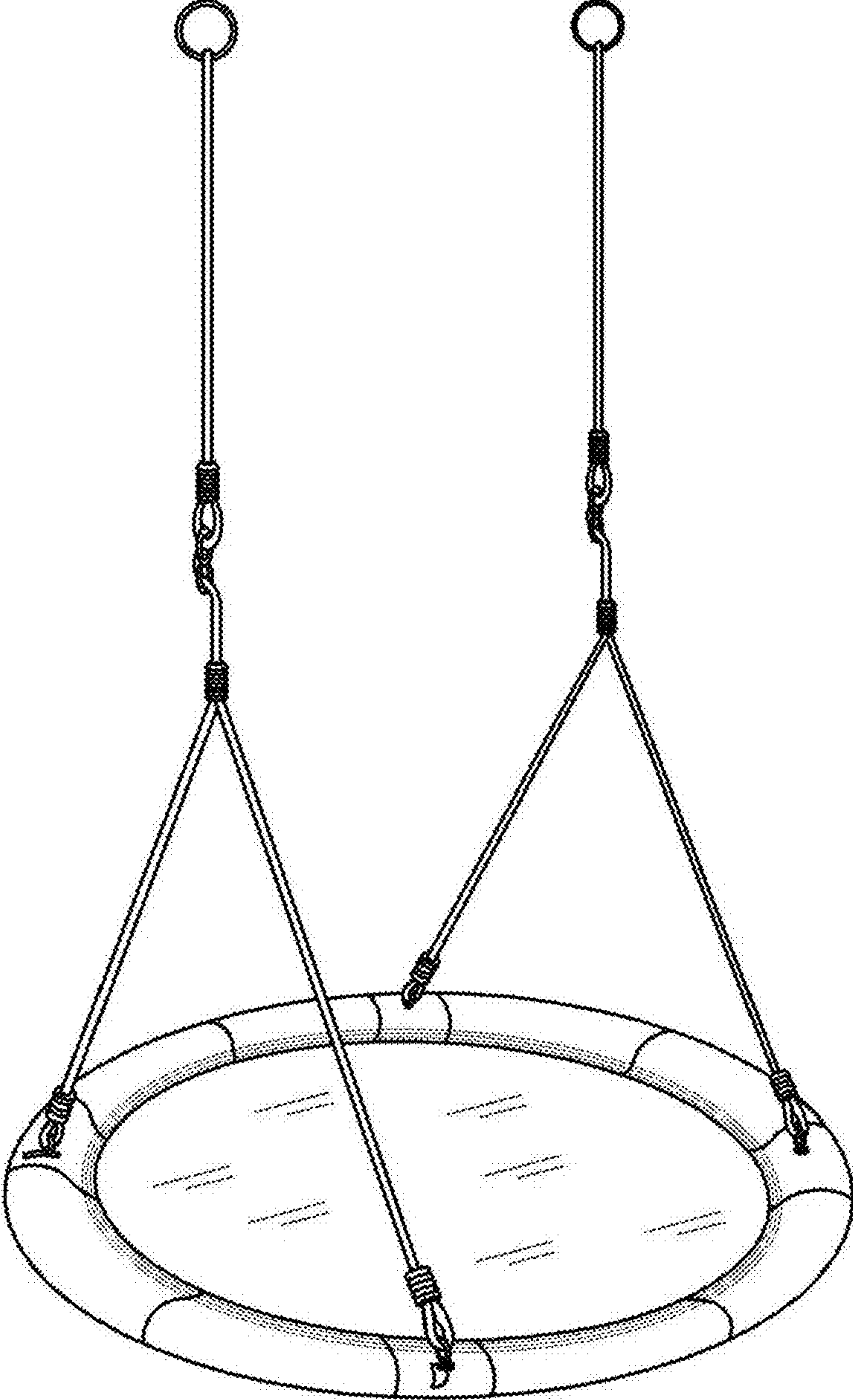


FIG.1

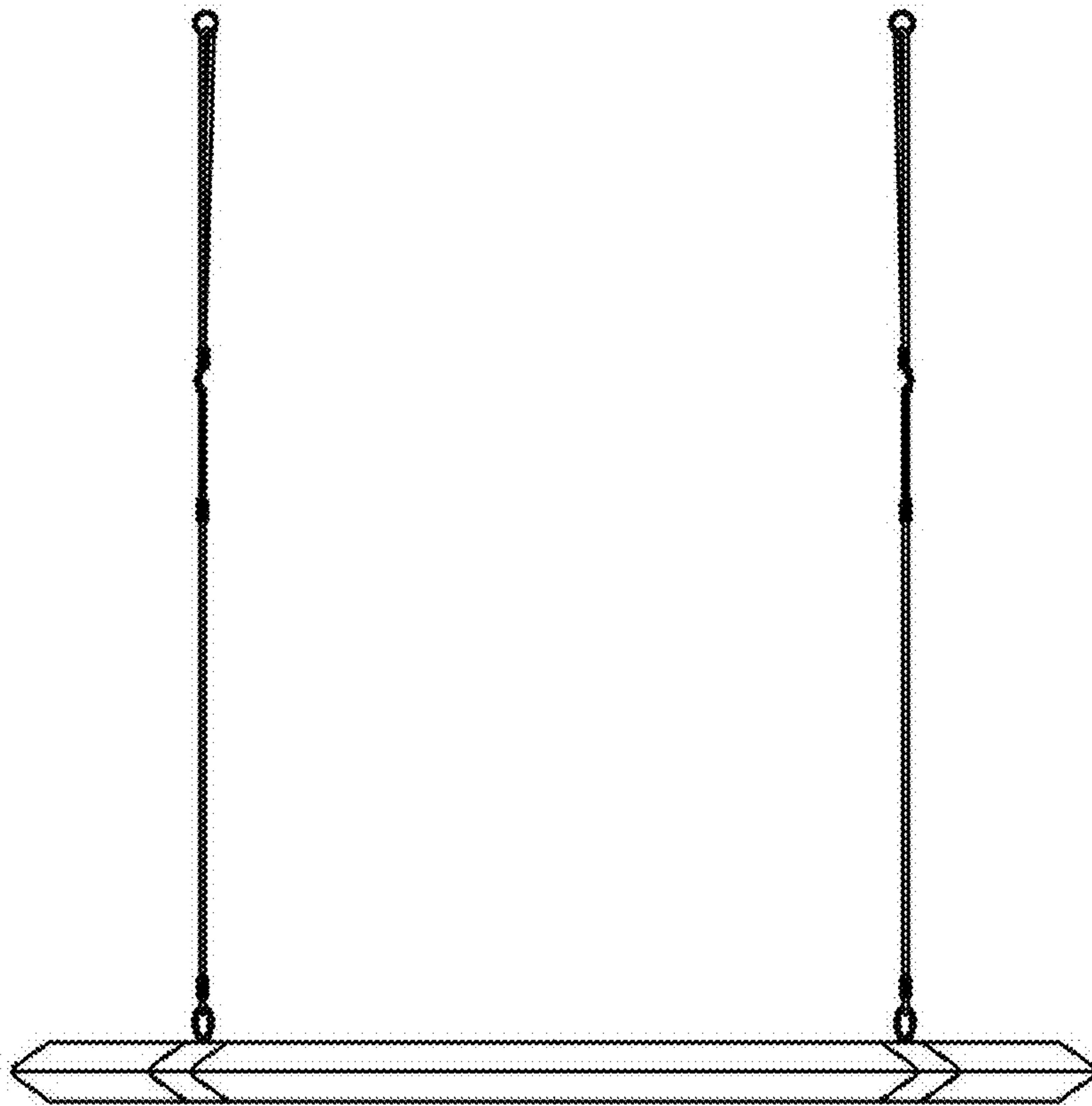


FIG.2

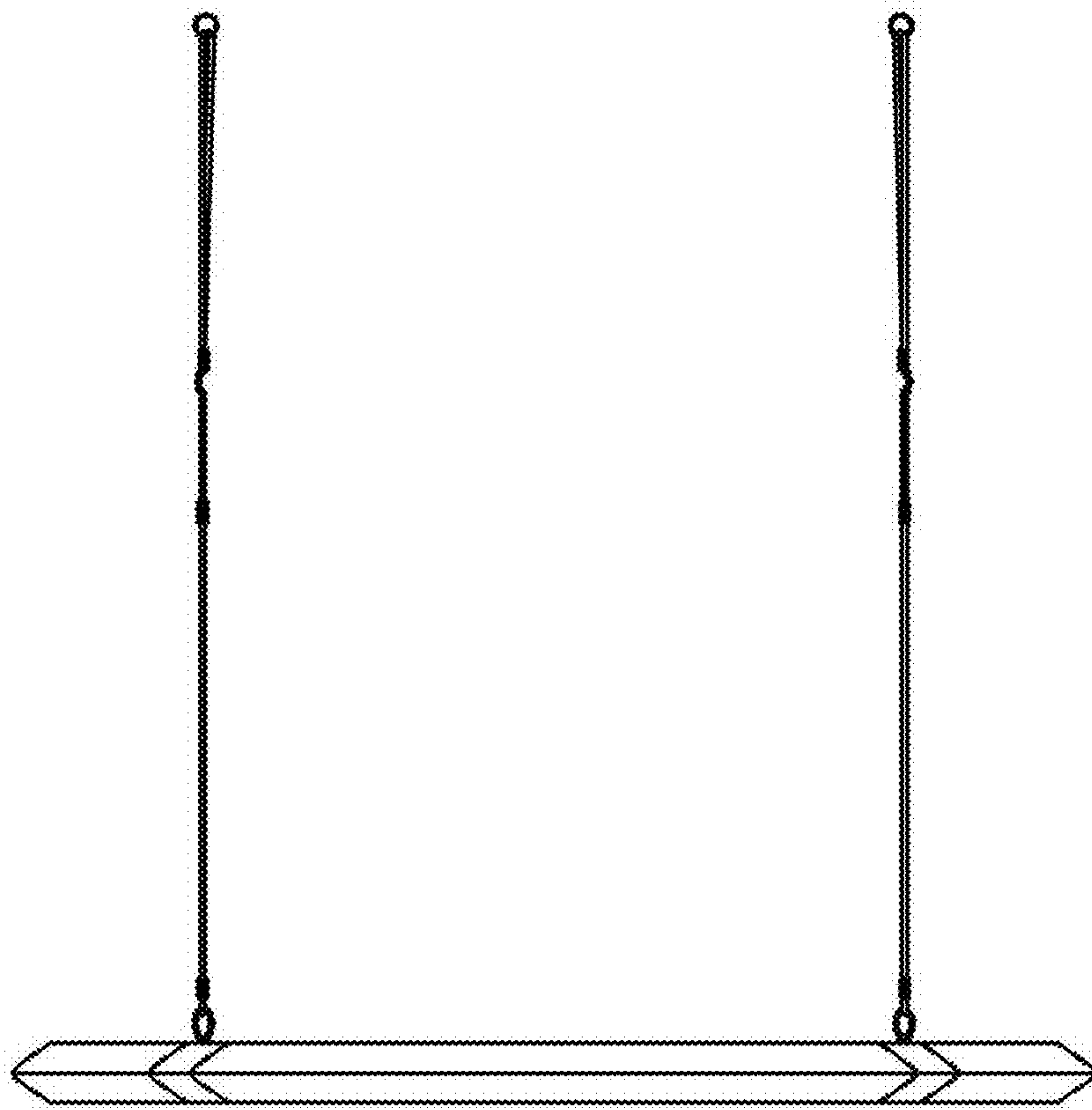


FIG.3

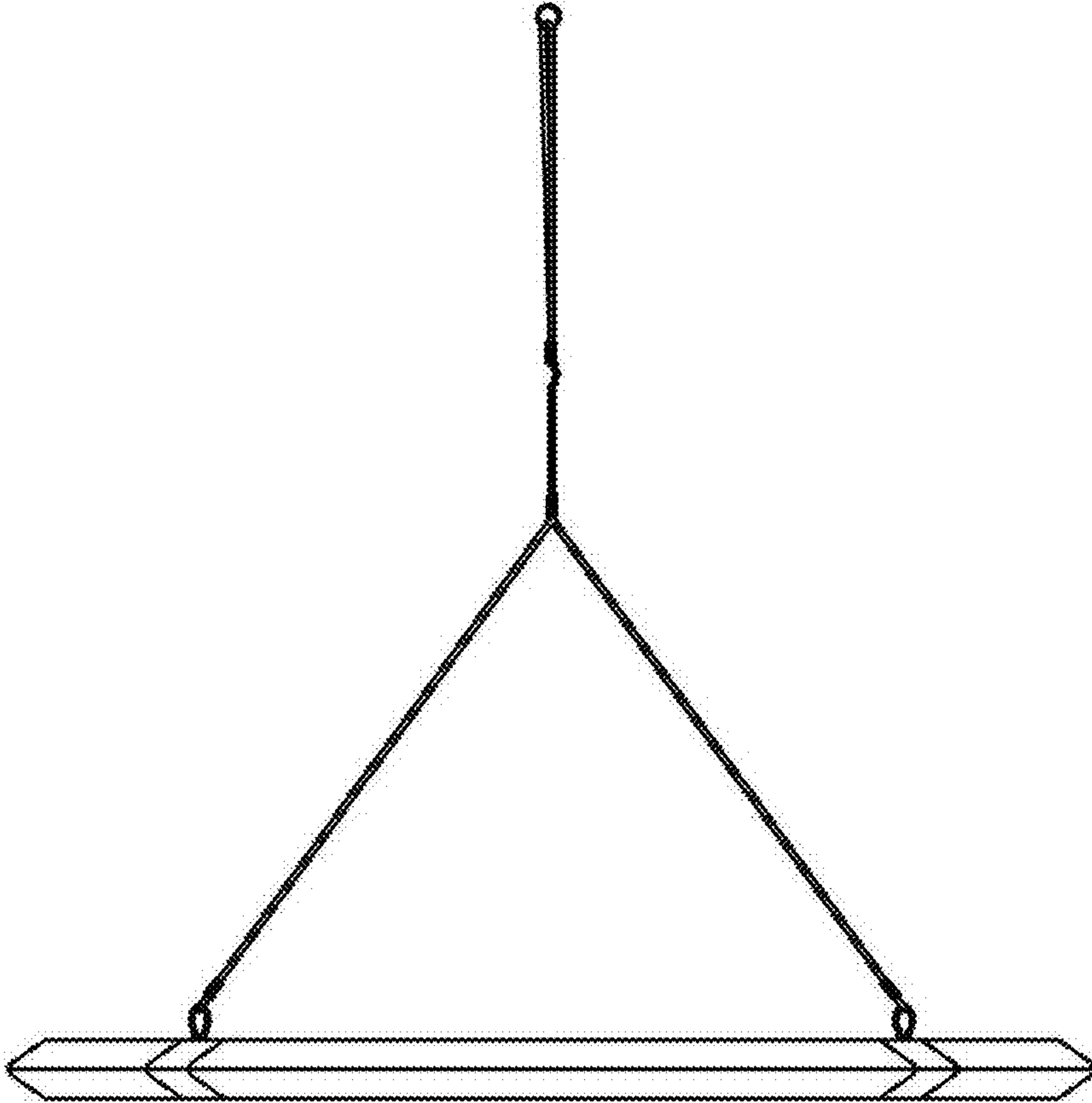


FIG.4

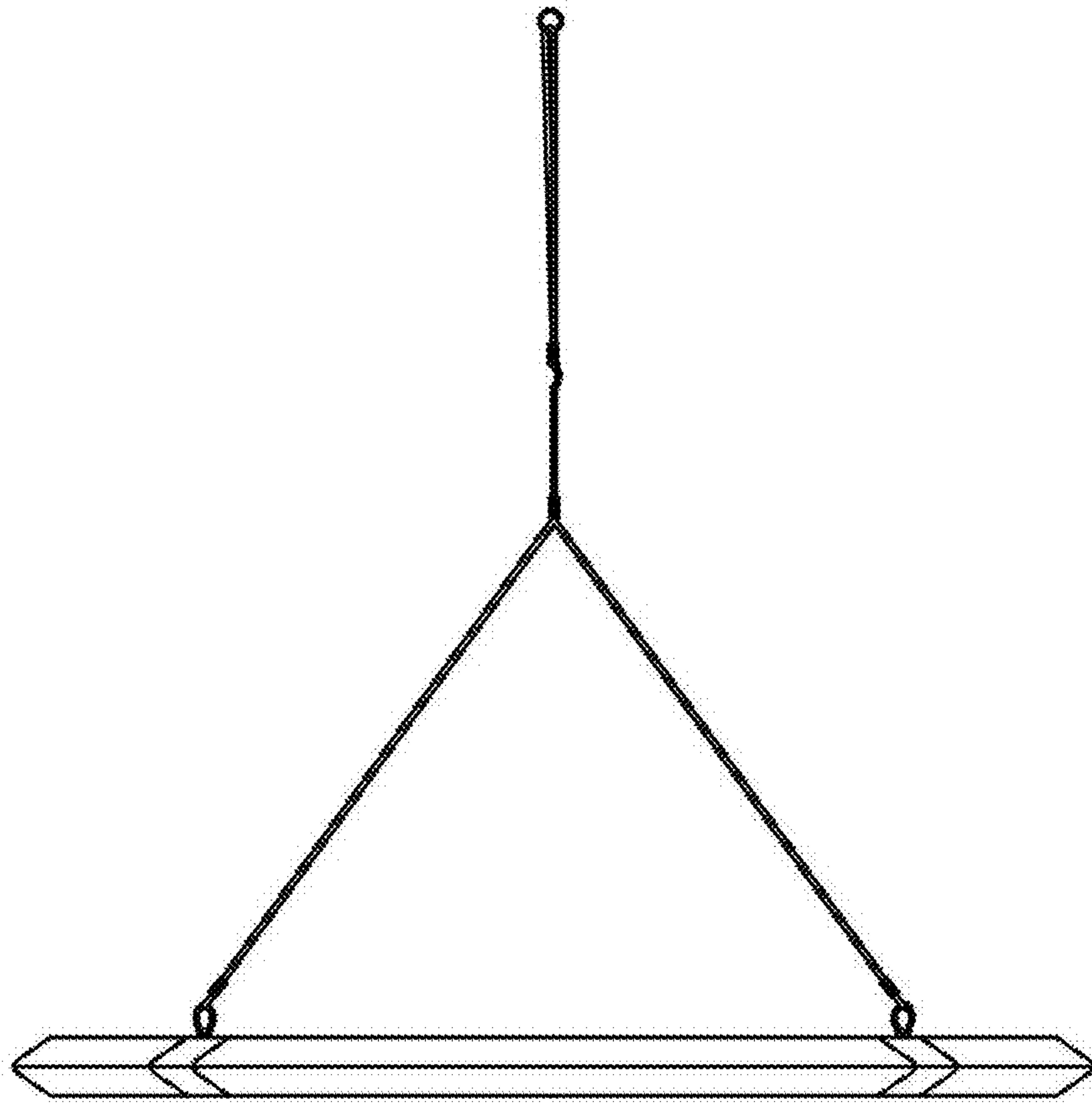


FIG.5

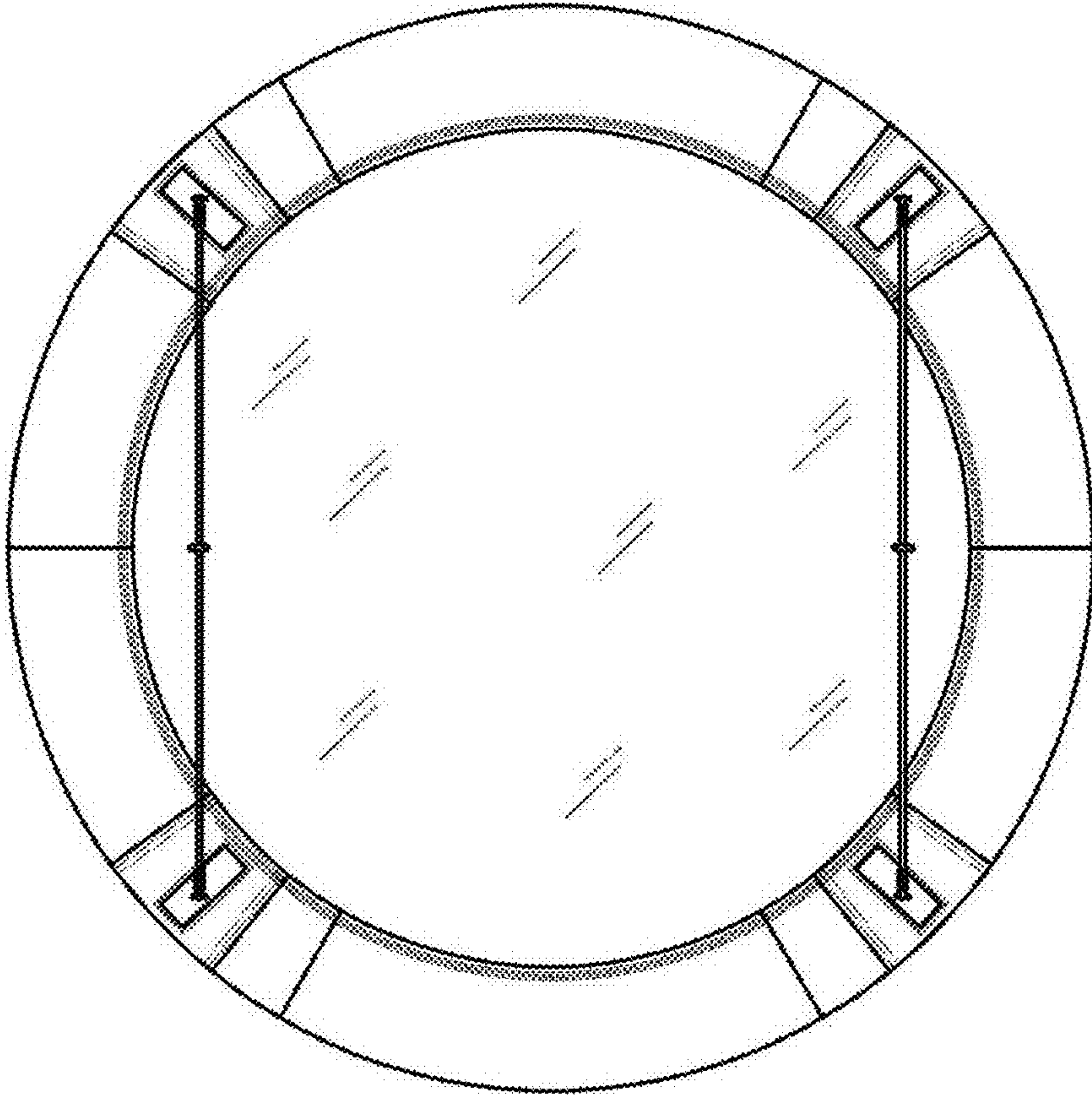


FIG.6

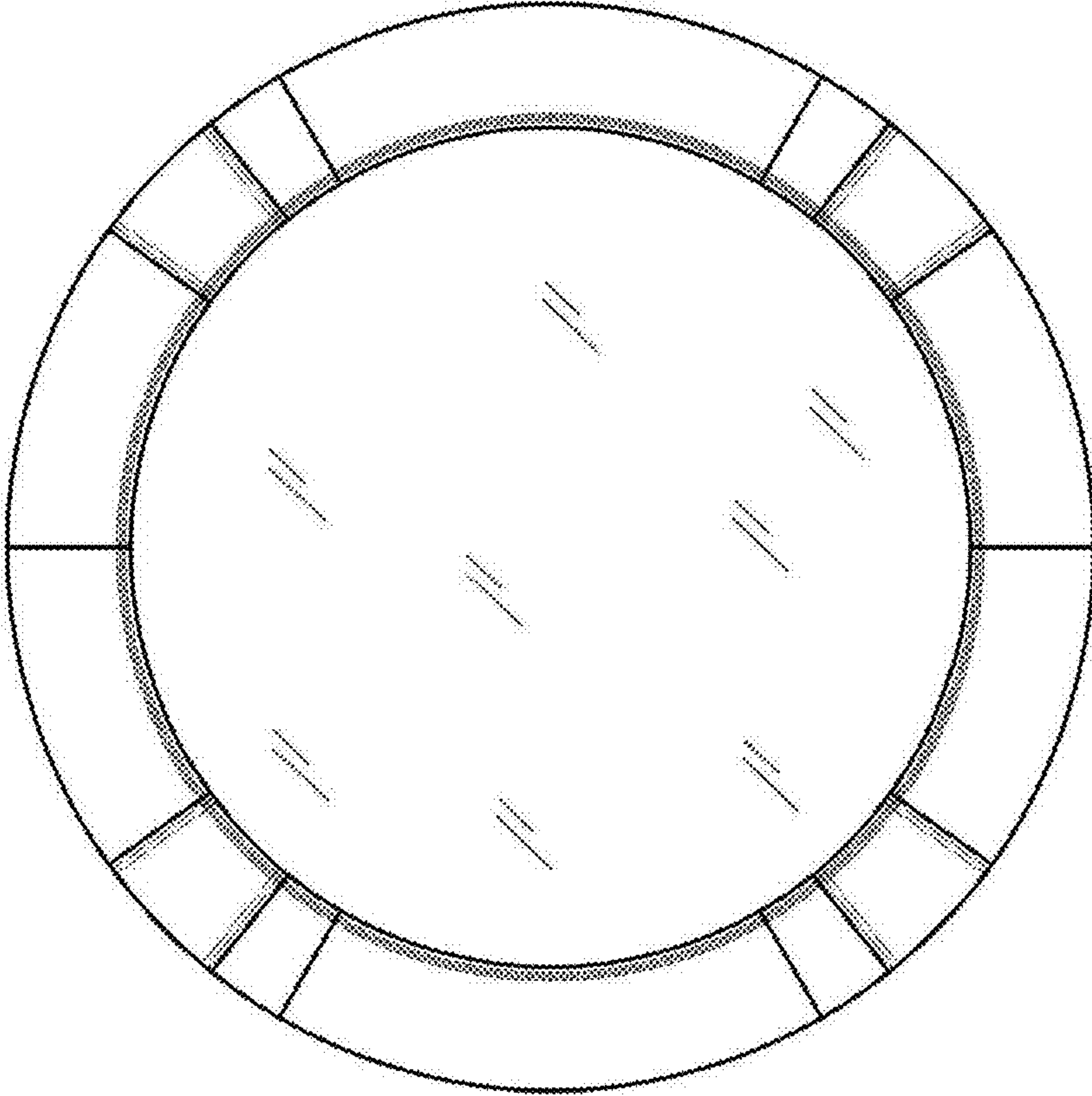


FIG.7