



US00D854104S

(12) **United States Design Patent**
McLeod

(10) **Patent No.:** **US D854,104 S**
(45) **Date of Patent:** **** Jul. 16, 2019**

- (54) **SQUASH COURT**
- (71) Applicant: **Michael McLeod**, Nottingham (GB)
- (72) Inventor: **Michael McLeod**, Nottingham (GB)
- (**) Term: **15 Years**
- (21) Appl. No.: **35/504,696**
- (22) Filed: **Mar. 7, 2018**
- (80) **Hague Agreement Data**
 Int. Filing Date: **Mar. 7, 2018**
 Int. Reg. No.: **DM/100262**
 Int. Reg. Date: **Mar. 7, 2018**
 Int. Reg. Pub. Date: **Mar. 30, 2018**
- (51) **LOC (11) Cl.** **25-03**
- (52) **U.S. Cl.**
 USPC **D21/706**
- (58) **Field of Classification Search**
 USPC D21/334, 335, 338, 339, 340, 348, 349,
 D21/355, 357, 363, 365, 494, 706;
 D25/12, 32, 60, 61, 113, 114, 115, 118,
 D25/119, 121, 122; D11/170, 171;
 D9/737, 756, 759, 760; D14/489, 493
 CPC A63B 63/007; A63B 2102/06; A63B
 2102/065
 See application file for complete search history.

- 4,556,218 A * 12/1985 Barron A63B 67/04
473/475
- 5,595,388 A * 1/1997 Swigart A63B 67/002
273/DIG. 26
- D395,688 S 6/1998 Hadden
- 5,791,094 A * 8/1998 Thomson E04H 3/14
472/94
- 6,077,176 A * 6/2000 Poshadlo, Jr. A63B 69/38
473/474
- D478,360 S * 8/2003 Manville E06B 7/34
D21/494
- D605,718 S 12/2009 Jenkins
- D679,350 S 4/2013 Krass
- D721,774 S 1/2015 Gamble
- D787,320 S * 5/2017 Gill A63B 63/00
D9/423
- D789,467 S 6/2017 Russillon
- D820,373 S * 6/2018 Czane A63B 67/04
D21/799.1
- D823,134 S * 7/2018 O'Neill A63B 69/38
D9/759
- 2018/0250576 A1* 9/2018 Kern A63B 63/00

* cited by examiner

Primary Examiner — George D. Kirschbaum
Assistant Examiner — Joseph J Kukella

(57) **CLAIM**

The ornamental design for a squash court, as shown and described.

DESCRIPTION

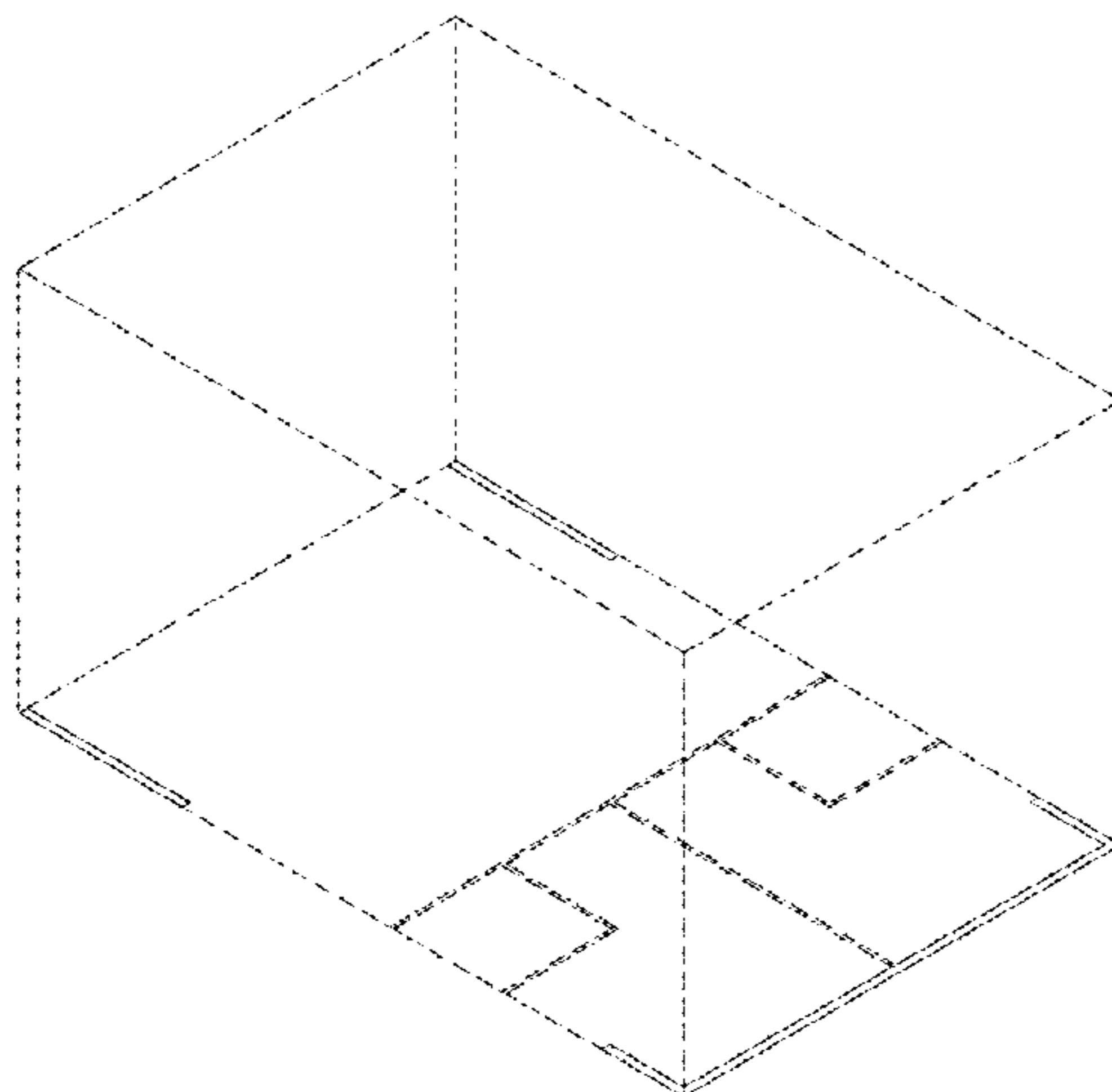
- 1. Squash court
- 1.1 : Top
- 1.2 : Perspective
- 1.3 : Perspective
- 1.4 : Perspective
- 1.5 : Perspective
- 1.6 : Front

In the drawings, the broken lines depict environmental subject matter only and form no part of the claimed design.

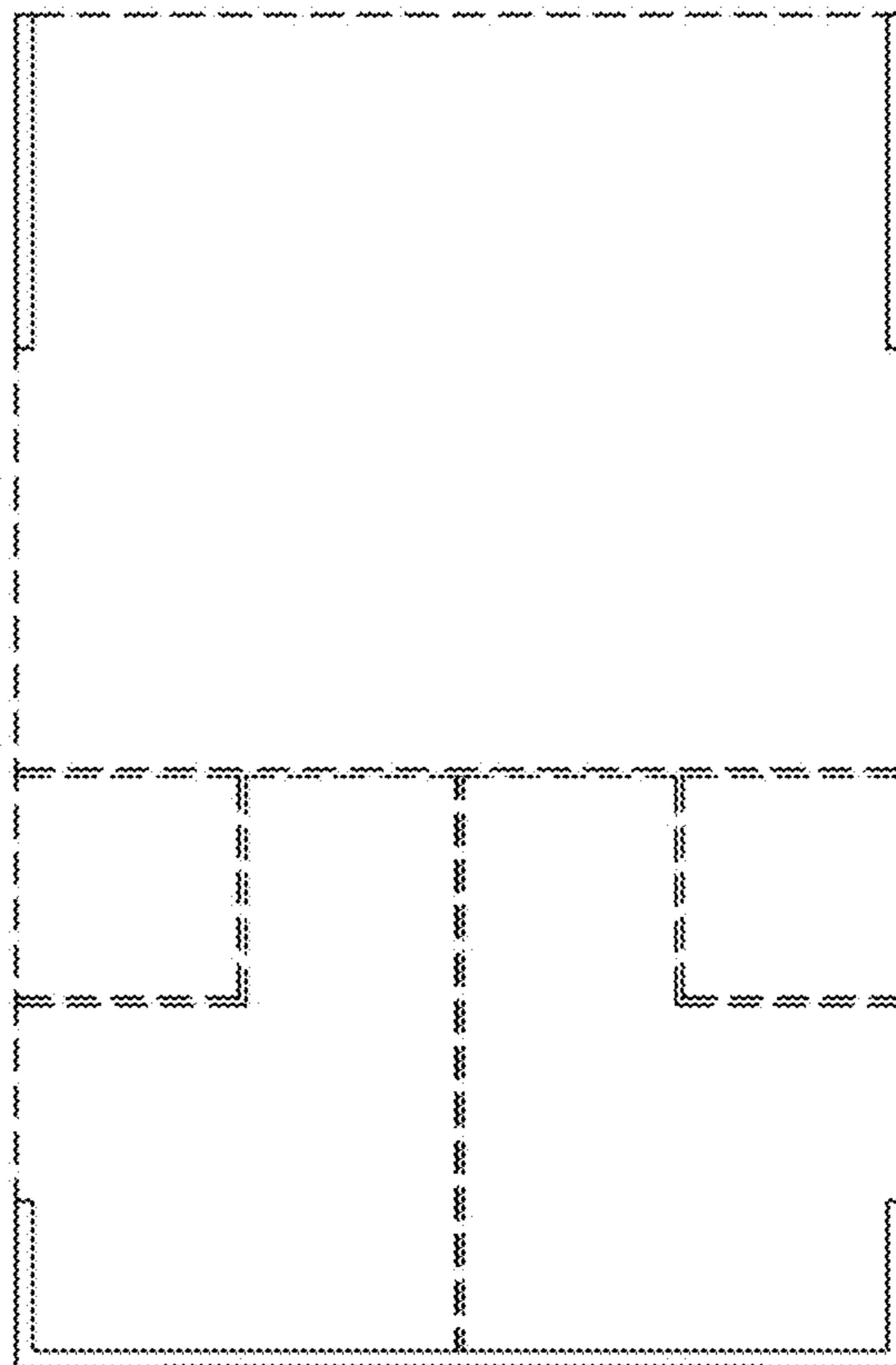
1 Claim, 6 Drawing Sheets

(56) **References Cited**
U.S. PATENT DOCUMENTS

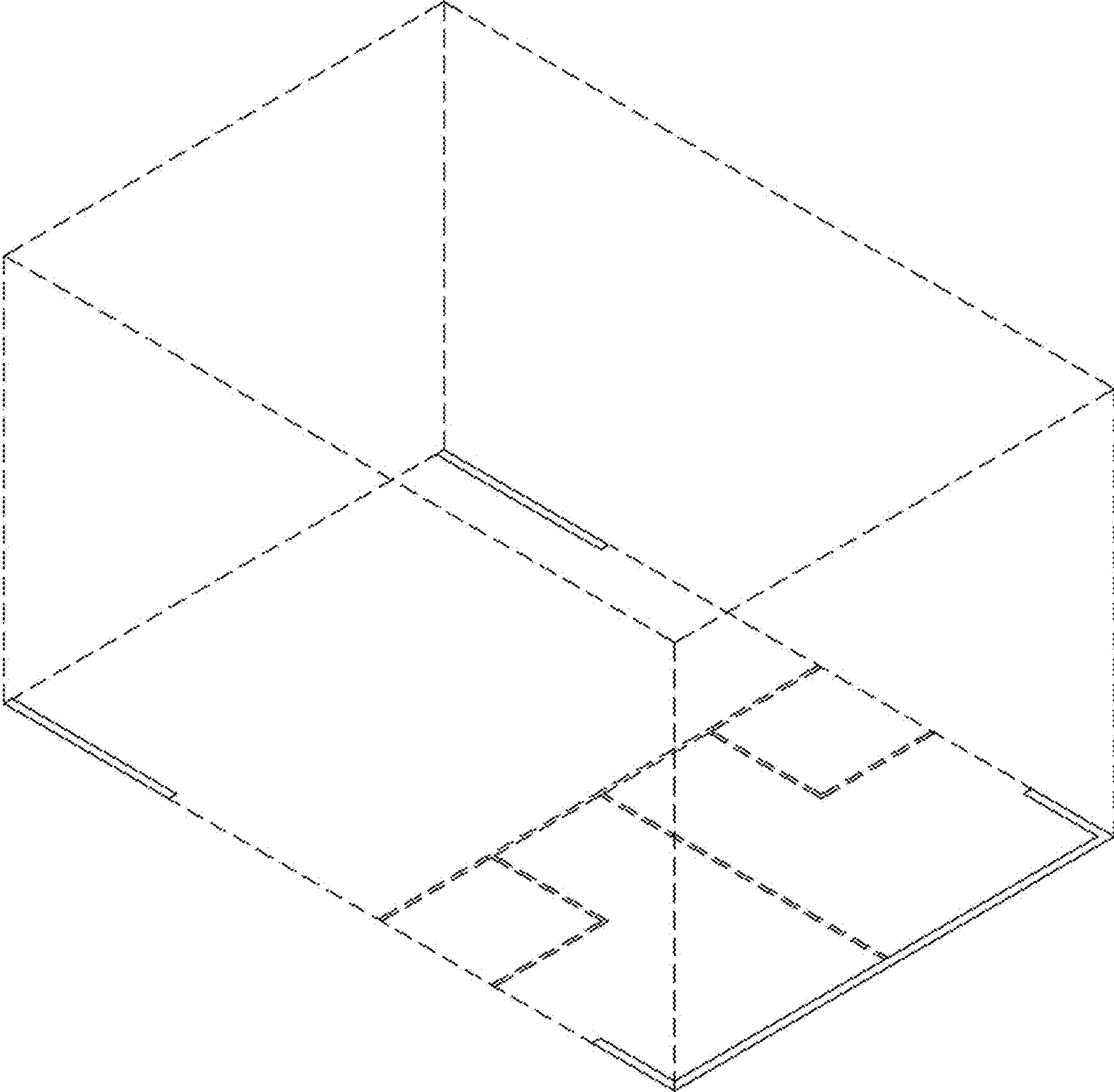
- 3,423,006 A * 1/1969 Stedman B65D 5/38
229/125.125
- 3,494,534 A * 2/1970 McFarland B65D 5/5035
206/422
- 3,872,623 A * 3/1975 Spaulding, Jr. E06B 7/34
472/94
- 4,528,548 A * 7/1985 Oberan A63B 63/00
340/323 R



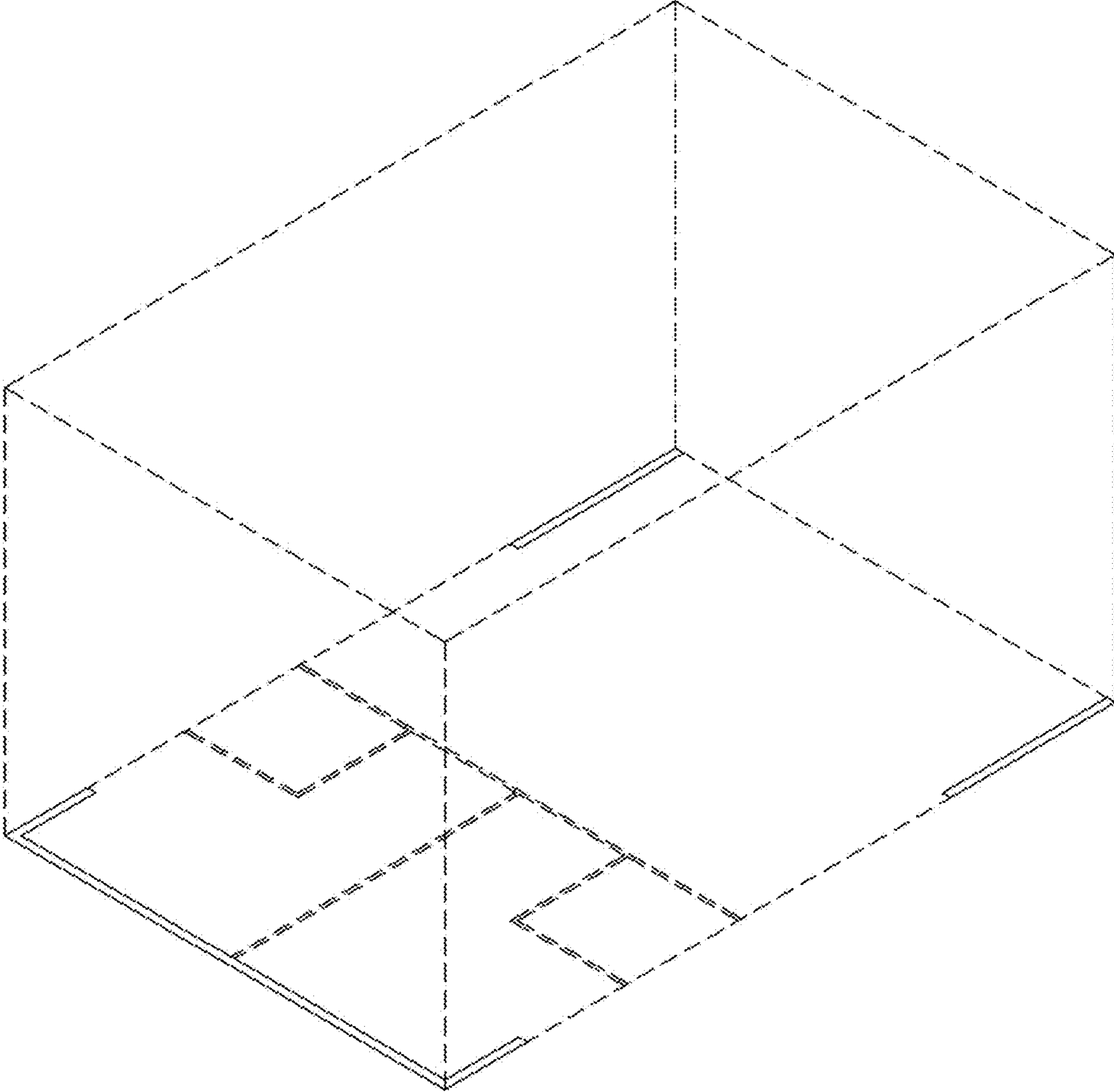
1.1



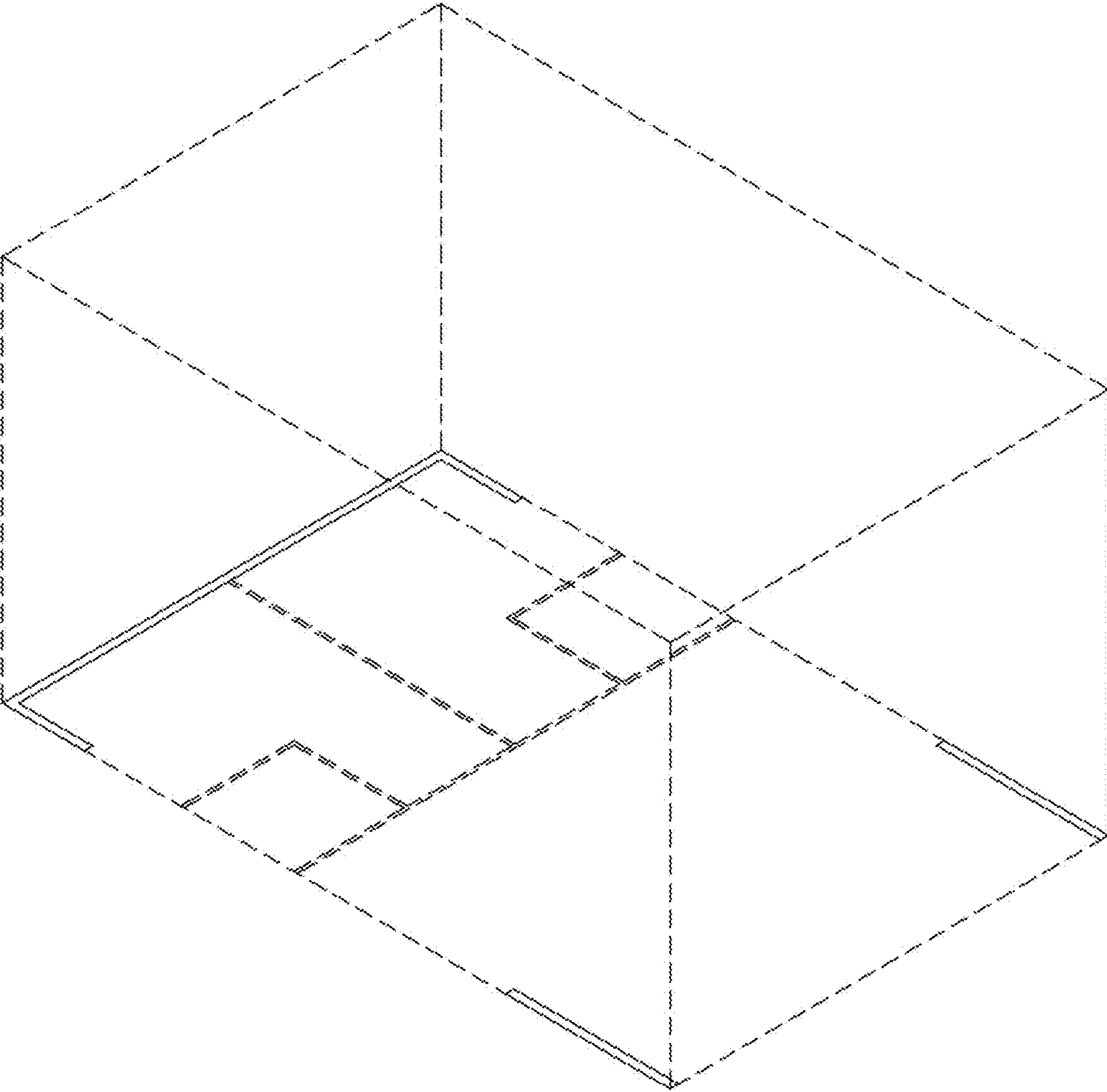
1.2



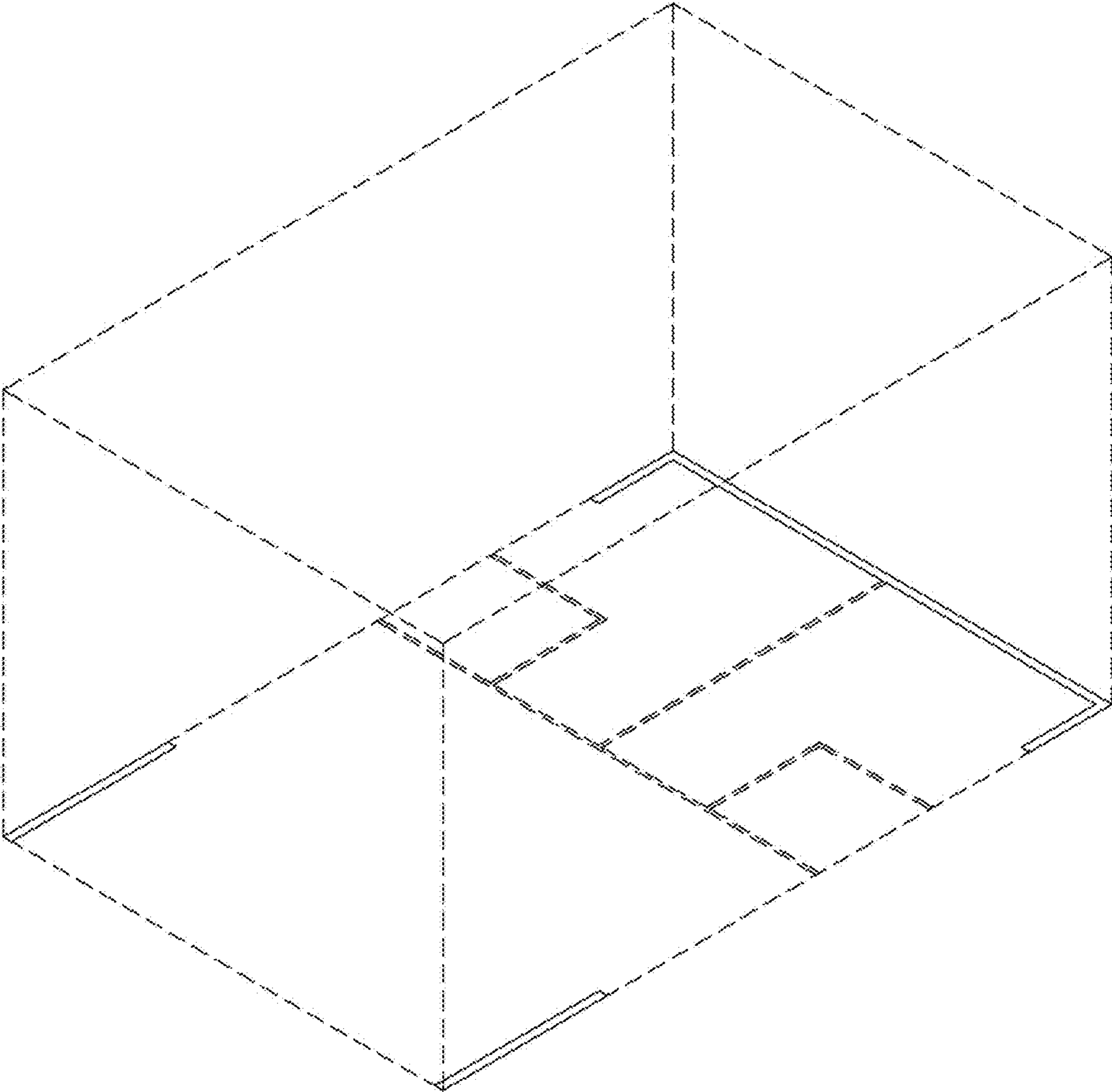
1.3



1.4



1.5



1.6

