



US00D854101S

(12) **United States Design Patent** (10) **Patent No.:** **US D854,101 S**  
**Kruse et al.** (45) **Date of Patent:** **\*\* Jul. 16, 2019**

(54) **TREADMILL**

(71) Applicant: **Peloton Interactive, Inc.**, New York, NY (US)  
 (72) Inventors: **Mark Kruse**, Brooklyn, NY (US);  
**Jason Poure**, Hastings on Hudson, NY (US); **Nigel Alcorn**, Bridgeport, CT (US); **Lee Hendrickson**, Brooklyn, NY (US)  
 (73) Assignee: **Peloton Interactive, Inc.**, New York, NY (US)

(\*\*) Term: **15 Years**

(21) Appl. No.: **29/632,278**

(22) Filed: **Jan. 5, 2018**

(51) **LOC (11) Cl.** ..... **21-02**

(52) **U.S. Cl.**  
USPC ..... **D21/669**

(58) **Field of Classification Search**  
 USPC ..... 482/54, 2, 51, 8, 70, 146; D21/669;  
 198/439, 456; D30/160; 601/35, 23, 5,  
 601/34  
 CPC . A63B 22/02; A63B 22/0023; A63B 22/0235;  
 A63B 2210/50; A63B 22/0285; A63B  
 22/0242; A63B 2022/025; A63B 2225/30;  
 A63B 2022/0214; A63B 2220/13; A63B  
 2022/0228; A63B 2210/56; A63B  
 2024/0093; A63B 2022/0207; A63B  
 22/0012; A63B 22/0257; A61H 3/008;  
 A61H 1/0262; A61H 2201/164; A01K  
 15/027

See application file for complete search history.

(56) **References Cited**

U.S. PATENT DOCUMENTS

1,211,765 A \* 1/1917 Schmidt ..... A63B 22/02  
 482/54  
 D445,152 S \* 7/2001 Wang ..... D21/669  
 D579,992 S \* 11/2008 Cesaroni ..... D21/694  
 8,308,619 B1 \* 11/2012 Astilean ..... A63B 21/156  
 482/54  
 D707,763 S \* 6/2014 Cutler ..... D21/669  
 D763,976 S \* 8/2016 Vezeau ..... D21/669  
 D827,733 S \* 9/2018 Hochstrasser ..... D21/669  
 2016/0279465 A1 \* 9/2016 Chang ..... A63B 22/02

\* cited by examiner

*Primary Examiner* — Philip S Hyder

*Assistant Examiner* — Ryan Harvey

(74) *Attorney, Agent, or Firm* — Lee & Hayes, P.C.

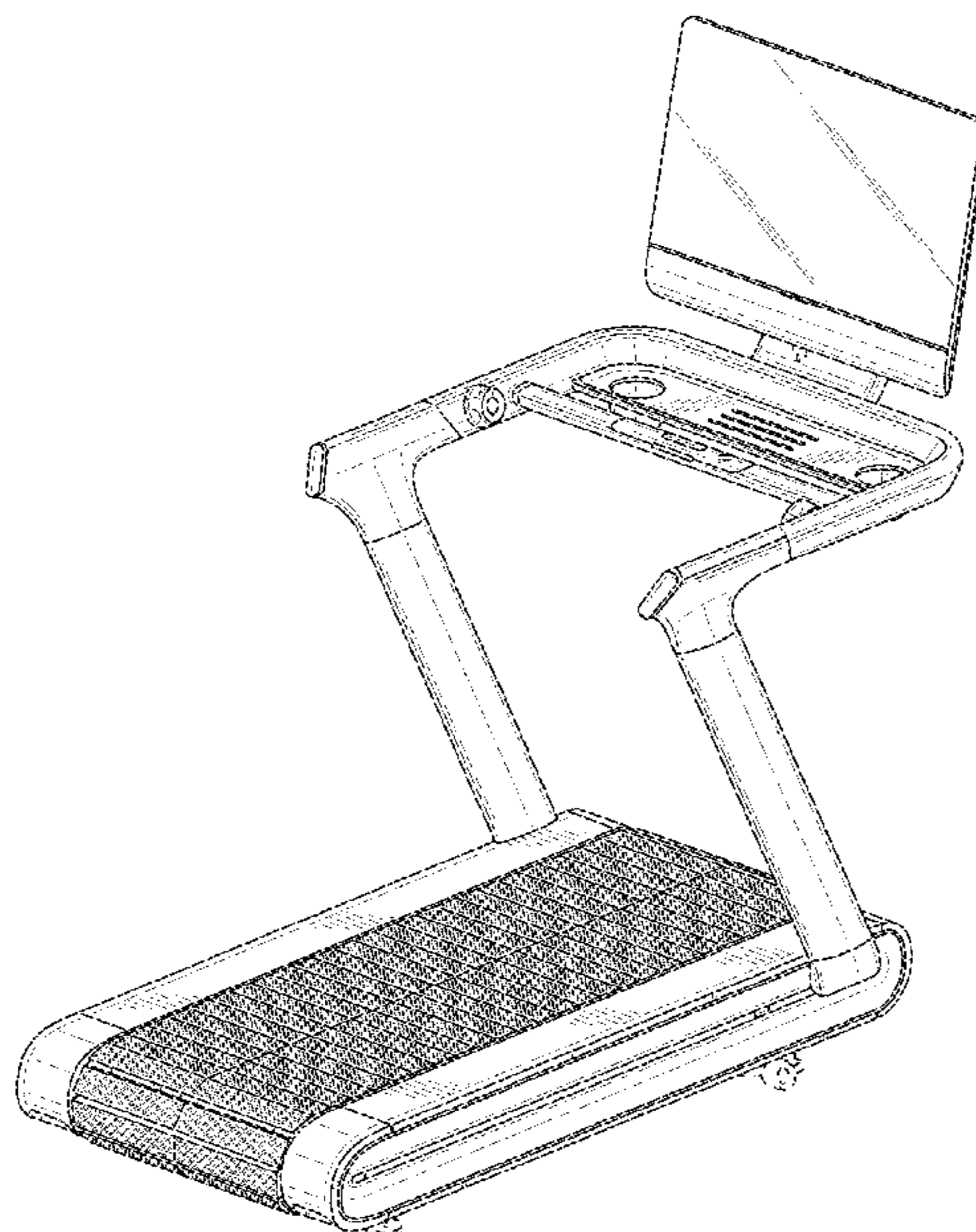
(57) **CLAIM**

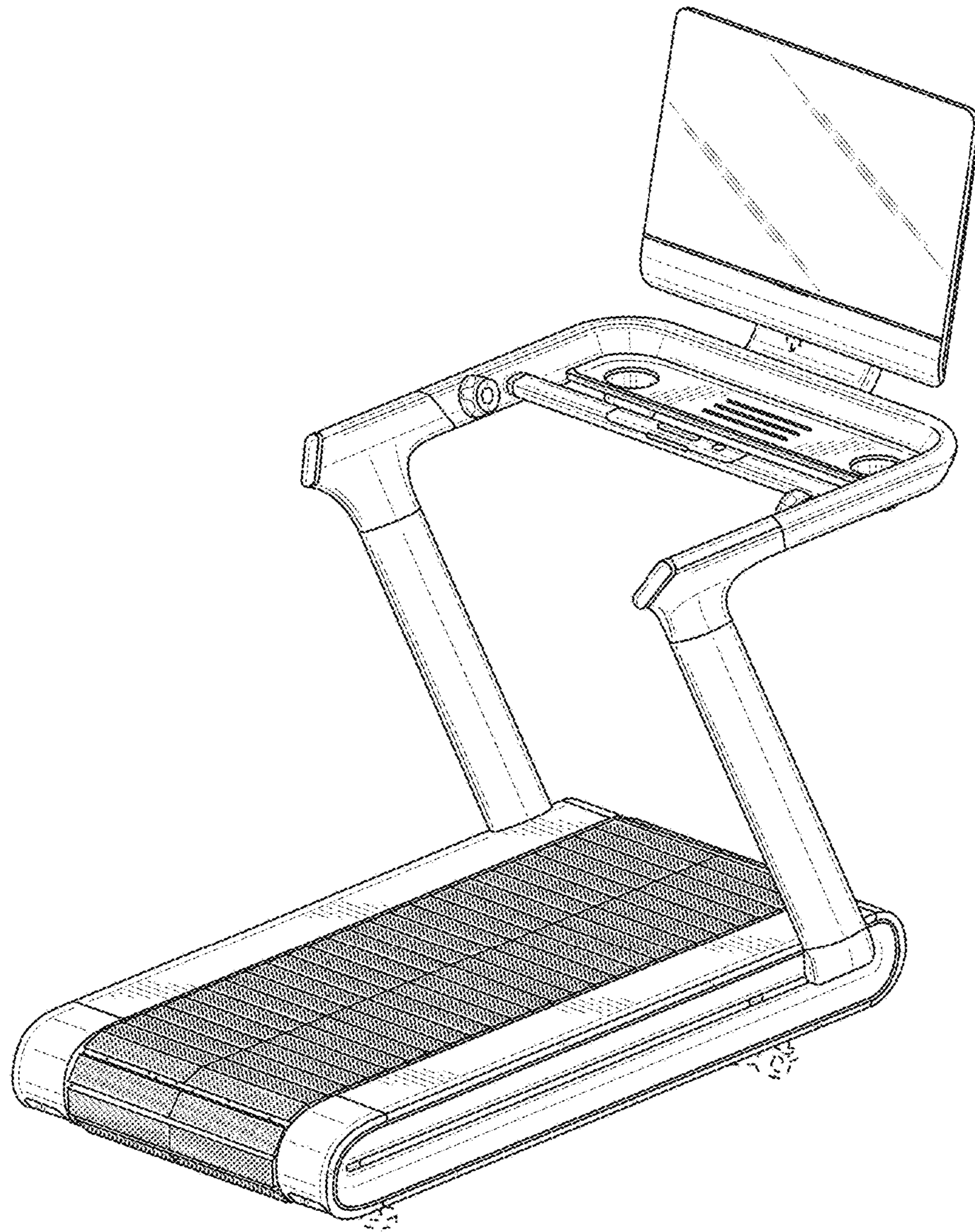
The ornamental design for a treadmill, as shown and described.

**DESCRIPTION**

FIG. 1 is a front perspective view of a treadmill, showing our new design.  
 FIG. 2 is a back perspective view thereof;  
 FIG. 3 is a front view thereof;  
 FIG. 4 is a back view thereof;  
 FIG. 5 is a left-side view thereof;  
 FIG. 6 is a right-side view thereof;  
 FIG. 7 is a top view thereof; and,  
 FIG. 8 is a bottom view thereof.  
 The broken lines depict portions of the treadmill that form no part of the claimed design.

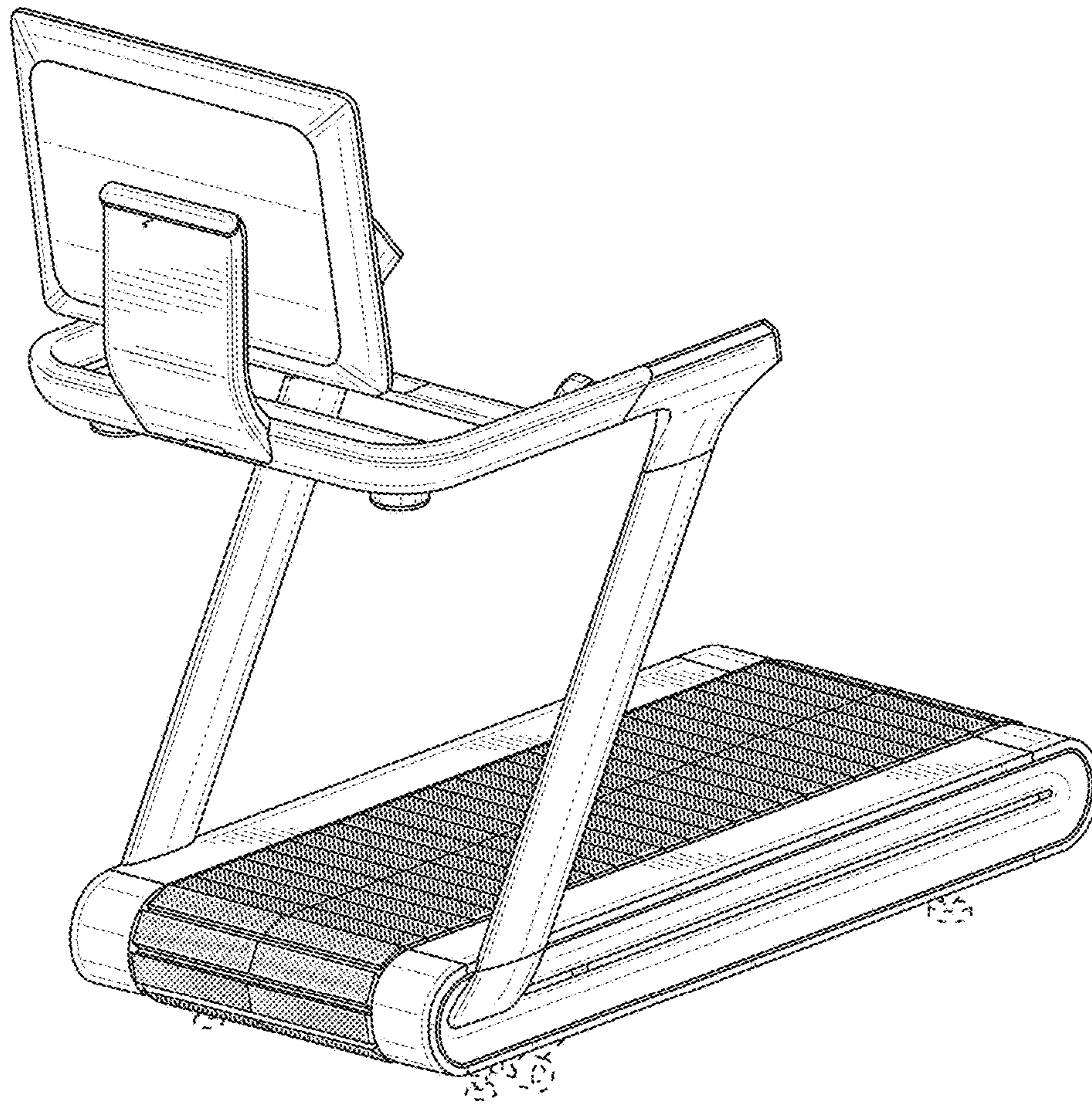
**1 Claim, 8 Drawing Sheets**



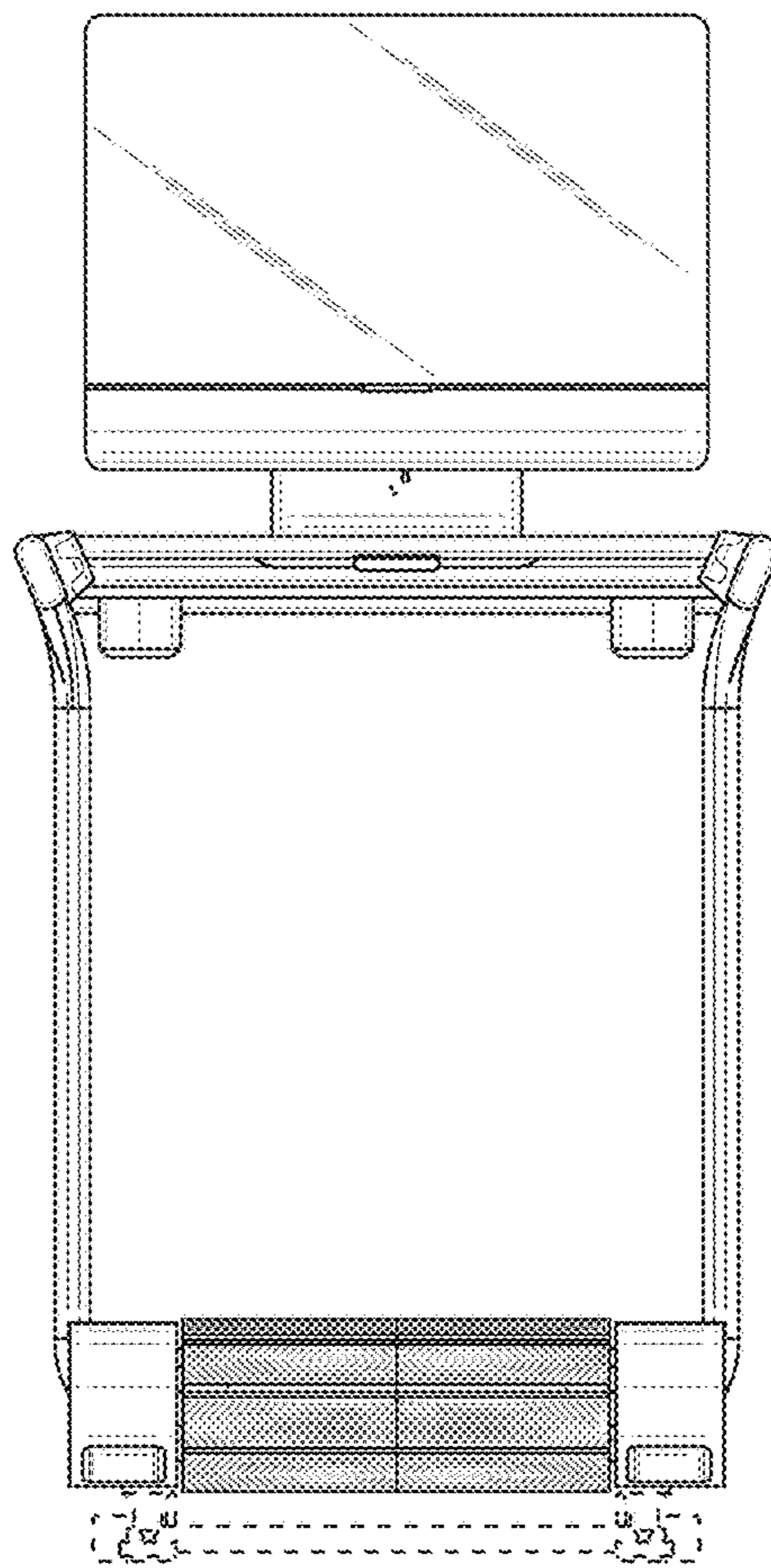


**FIG. 1**

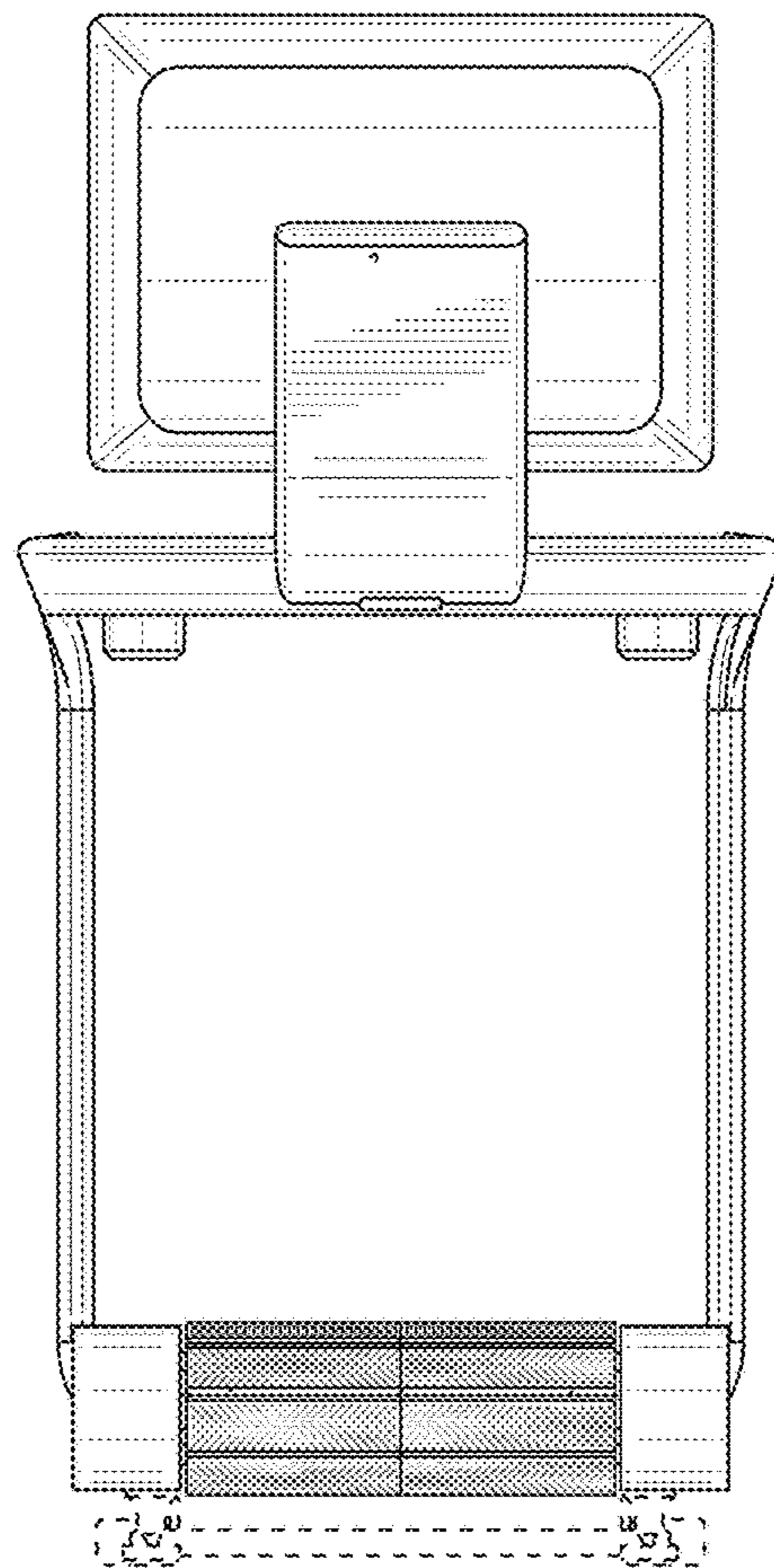




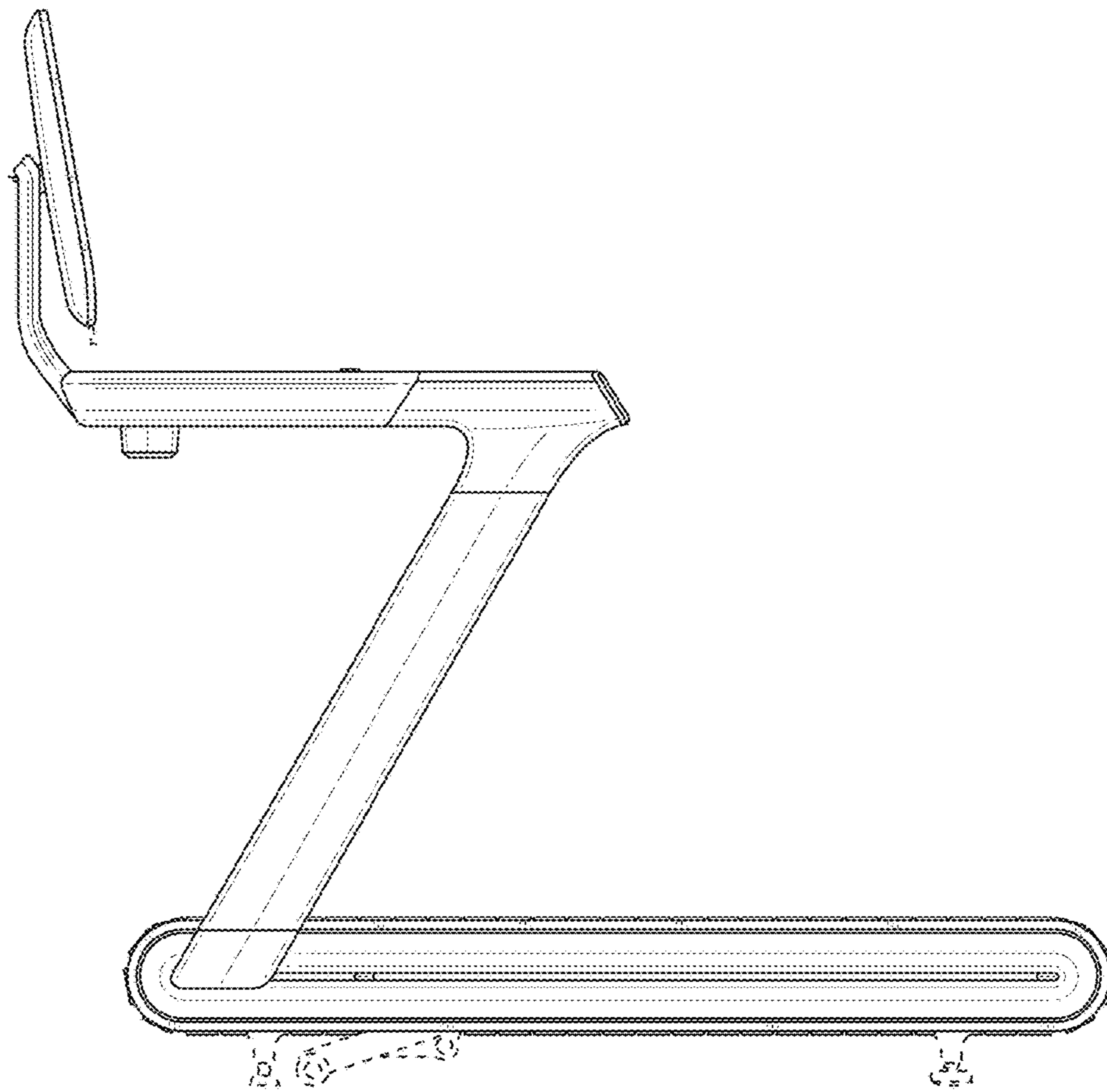
**FIG. 2**



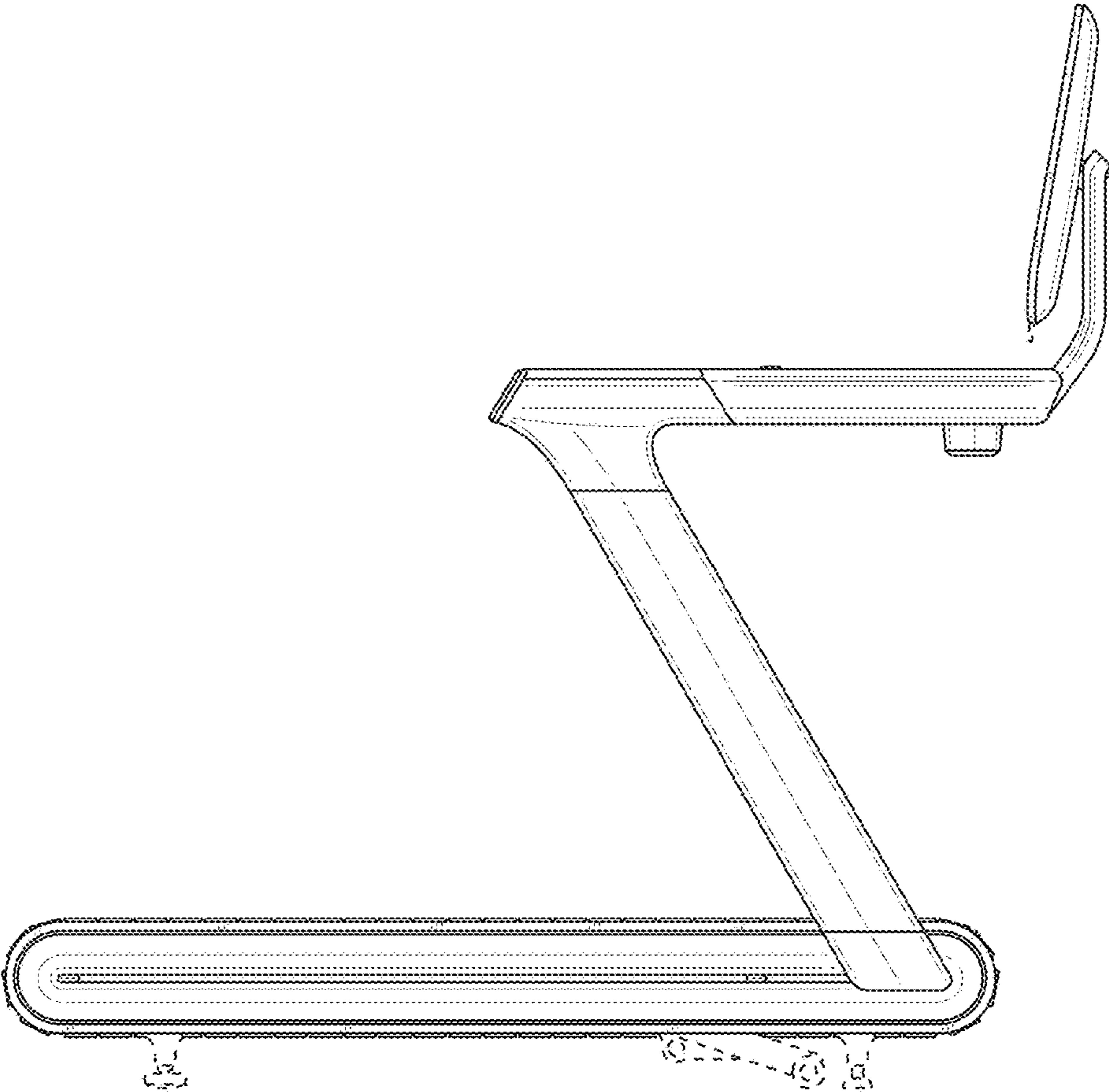
**FIG. 3**



**FIG. 4**

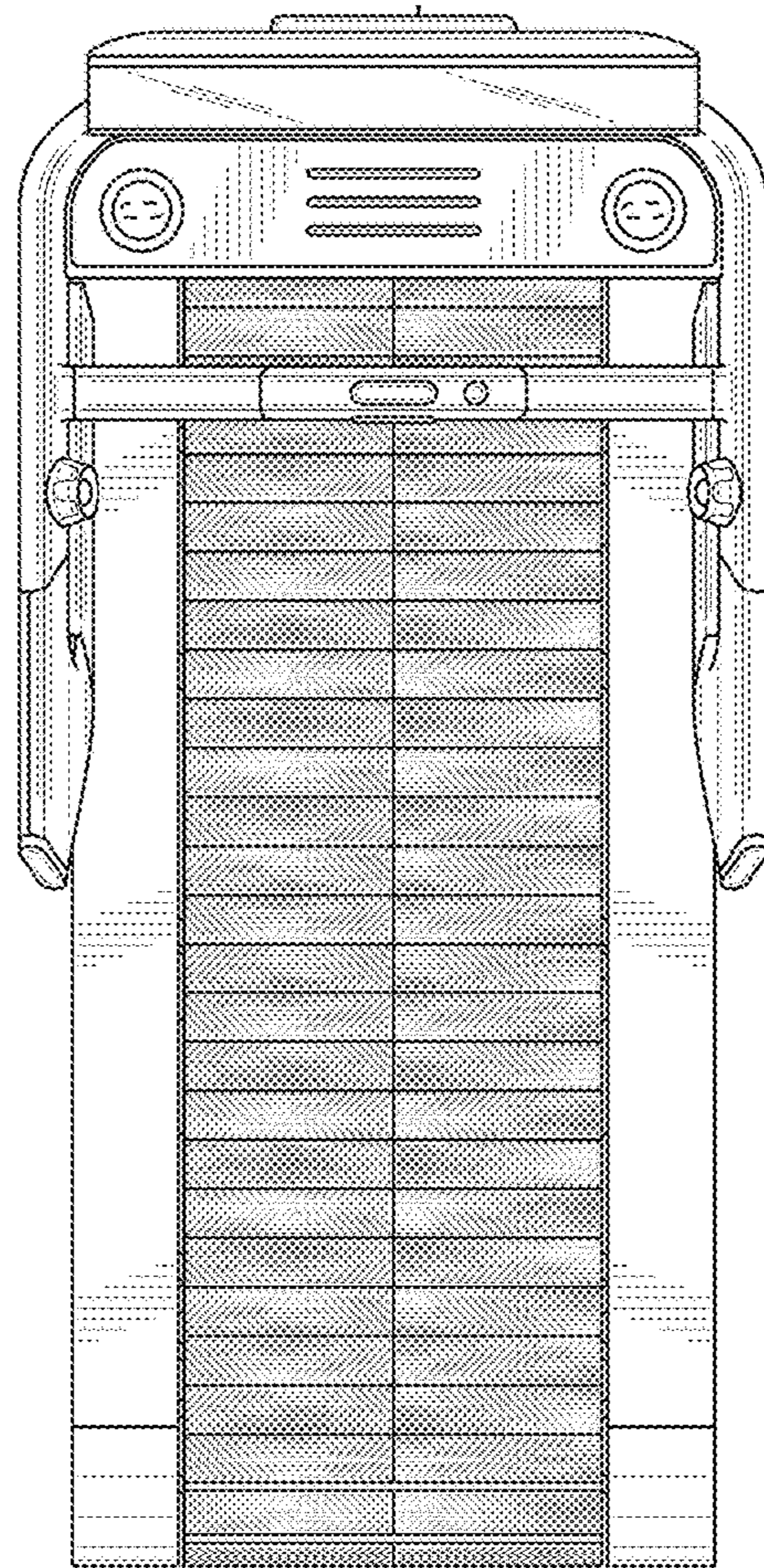


**FIG. 5**



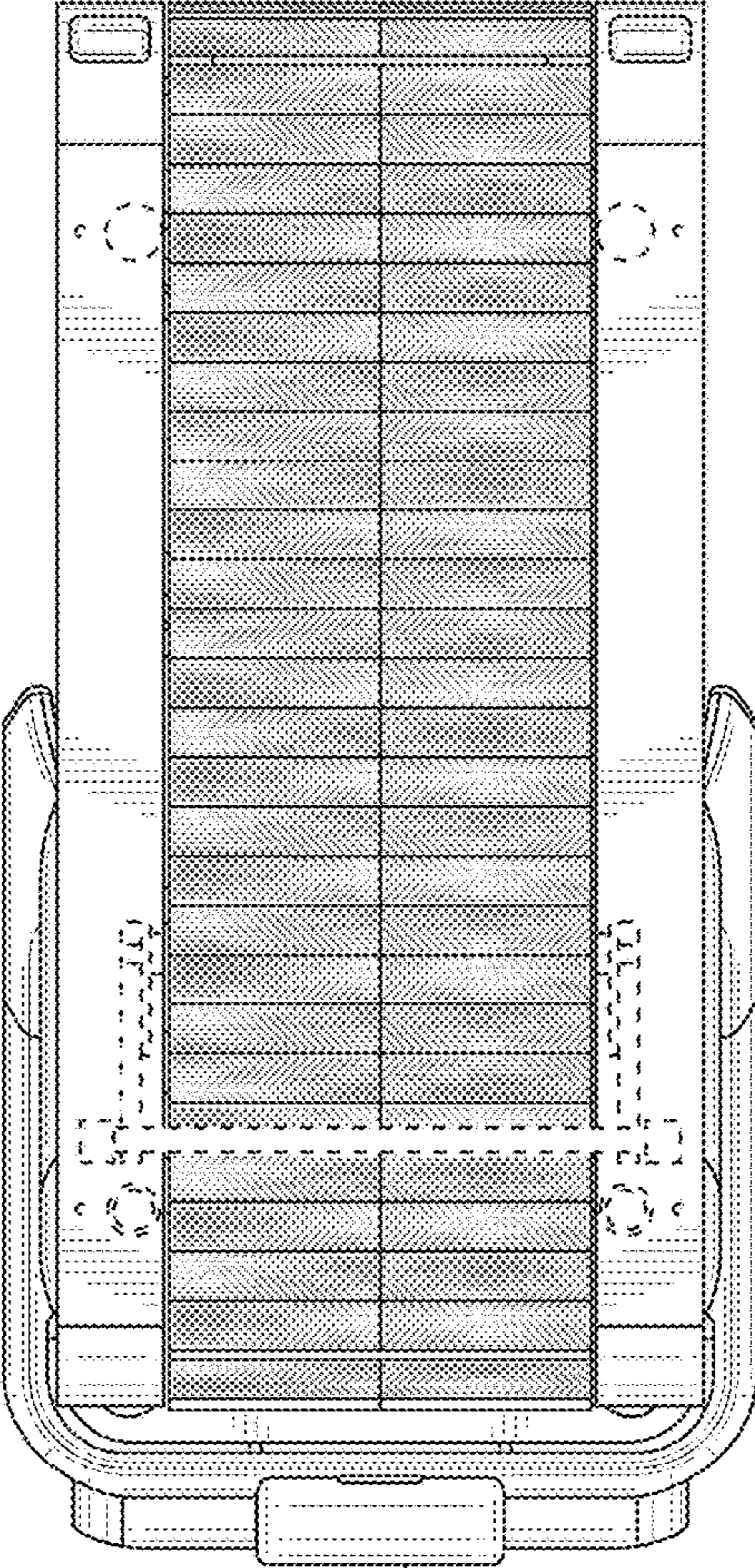
**FIG. 6**





**FIG. 7**





**FIG. 8**