



US00D854100S

(12) **United States Design Patent**  
**Xing**

(10) **Patent No.:** **US D854,100 S**

(45) **Date of Patent:** **\*\* \*Jul. 16, 2019**

(54) **EXERCISE DEVICE**

(71) Applicant: **Kai Bin Xing**, Foshan (CN)

(72) Inventor: **Kai Bin Xing**, Foshan (CN)

(\*) Notice: This patent is subject to a terminal disclaimer.

(\*\*) Term: **15 Years**

(21) Appl. No.: **29/609,006**

(22) Filed: **Jun. 27, 2017**

(51) **LOC (11) Cl.** ..... **21-02**

(52) **U.S. Cl.**  
USPC ..... **D21/668**

(58) **Field of Classification Search**  
USPC ..... D21/697, 694, 670, 665, 668, 663;  
D14/419; 482/57, 63  
CPC . A63B 22/001; A63B 22/0664; A63B 21/225;  
A63B 22/0015; A63B 2022/0676  
See application file for complete search history.

(56) **References Cited**

**U.S. PATENT DOCUMENTS**

D372,282 S \* 7/1996 Pasero ..... D21/670  
5,685,804 A \* 11/1997 Whan-Tong ..... A63B 22/001  
482/51  
D388,847 S \* 1/1998 Whan-Tong ..... D21/670  
D397,383 S \* 8/1998 Sands ..... D21/663  
D398,672 S \* 9/1998 Sands ..... D21/663  
D408,477 S \* 4/1999 Arnold ..... D21/668  
D410,978 S \* 6/1999 Littrell ..... D21/668  
D429,781 S \* 8/2000 Arnold ..... D21/668  
D449,356 S \* 10/2001 Arnold ..... D21/668  
D451,972 S \* 12/2001 Easley ..... D21/694  
D464,688 S \* 10/2002 May ..... D21/668  
D464,689 S \* 10/2002 May ..... D21/668  
D465,000 S \* 10/2002 Arnold ..... D21/668  
6,749,540 B1 \* 6/2004 Pasero ..... A63B 22/001  
482/52

6,939,271 B1 \* 9/2005 Whan-Tong ..... A63B 22/001  
482/52  
D530,758 S \* 10/2006 Kim ..... D21/668  
7,223,209 B2 \* 5/2007 Lee ..... A63B 22/001  
482/52  
7,264,576 B2 \* 9/2007 Gerschefske ..... A63B 21/023  
482/52  
D558,841 S \* 1/2008 Clawson ..... D21/668  
7,547,267 B1 \* 6/2009 Wang ..... A63B 22/001  
482/51  
D599,863 S \* 9/2009 Quijada ..... D21/665  
D600,293 S \* 9/2009 Horita ..... D21/694  
7,604,573 B2 \* 10/2009 Dalebout ..... A63B 22/001  
482/52  
D606,599 S \* 12/2009 Murray ..... D21/668  
D615,604 S \* 5/2010 Keiser ..... D21/668  
8,894,549 B2 \* 11/2014 Colledge ..... A63B 22/0046  
482/4  
8,979,713 B2 \* 3/2015 Huang ..... A63B 22/04  
482/51  
D785,730 S \* 5/2017 Huang ..... D21/670  
D801,451 S \* 10/2017 Hooper ..... D21/668  
D801,454 S \* 10/2017 Hooper ..... D21/694

(Continued)

*Primary Examiner* — Ryan Harvey  
(74) *Attorney, Agent, or Firm* — Legends Law Group, PLLC; Stephen H. Bean, Esq.

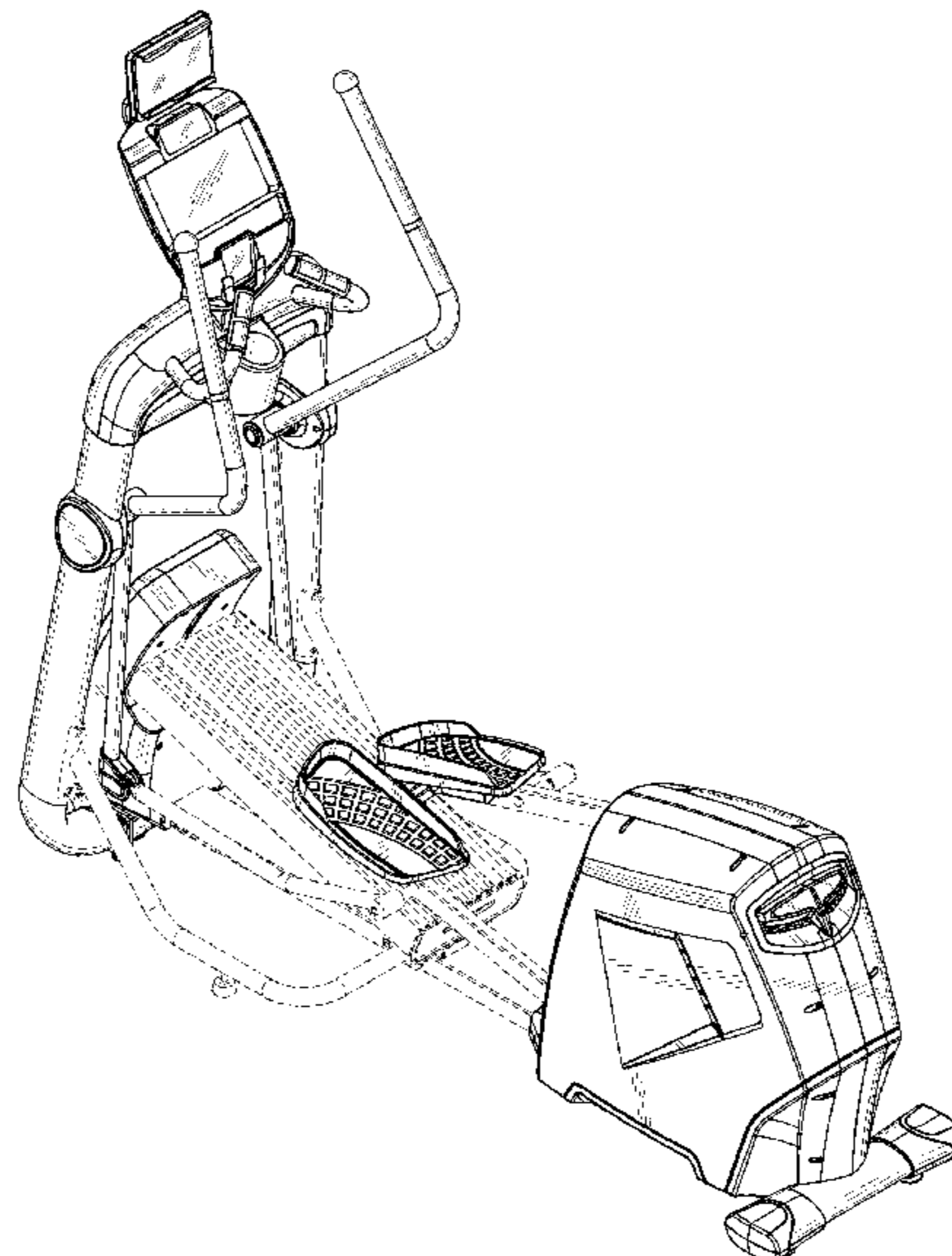
(57) **CLAIM**

I claim the ornamental design for an exercise device, as shown and described.

**DESCRIPTION**

FIG. 1 is a perspective view of the exercise device showing my new design;  
FIG. 2 is a side elevational view thereof;  
FIG. 3 is a top plan view thereof; and,  
FIG. 4 is a back view thereof.  
The broken line showing of portions of the exercise device form no part of the claim.

**1 Claim, 4 Drawing Sheets**



(56)

**References Cited**

U.S. PATENT DOCUMENTS

D802,062 S \* 11/2017 Hooper ..... D21/663  
2003/0045401 A1 \* 3/2003 Watterson ..... A63B 22/001  
482/51  
2010/0255969 A1 \* 10/2010 Long ..... A63B 22/0664  
482/141  
2012/0165160 A1 \* 6/2012 Chen ..... A63B 21/0125  
482/52  
2013/0237379 A1 \* 9/2013 Huang ..... A63B 22/001  
482/52  
2014/0194253 A1 \* 7/2014 Huang ..... A63B 22/001  
482/52  
2014/0371034 A1 \* 12/2014 Mortensen ..... A63B 22/0002  
482/52  
2014/0371035 A1 \* 12/2014 Mortensen ..... A63B 71/0619  
482/52  
2016/0206923 A1 \* 7/2016 Watterson ..... A63B 24/0087  
2018/0290014 A1 \* 10/2018 Xing ..... A63B 22/0664

\* cited by examiner

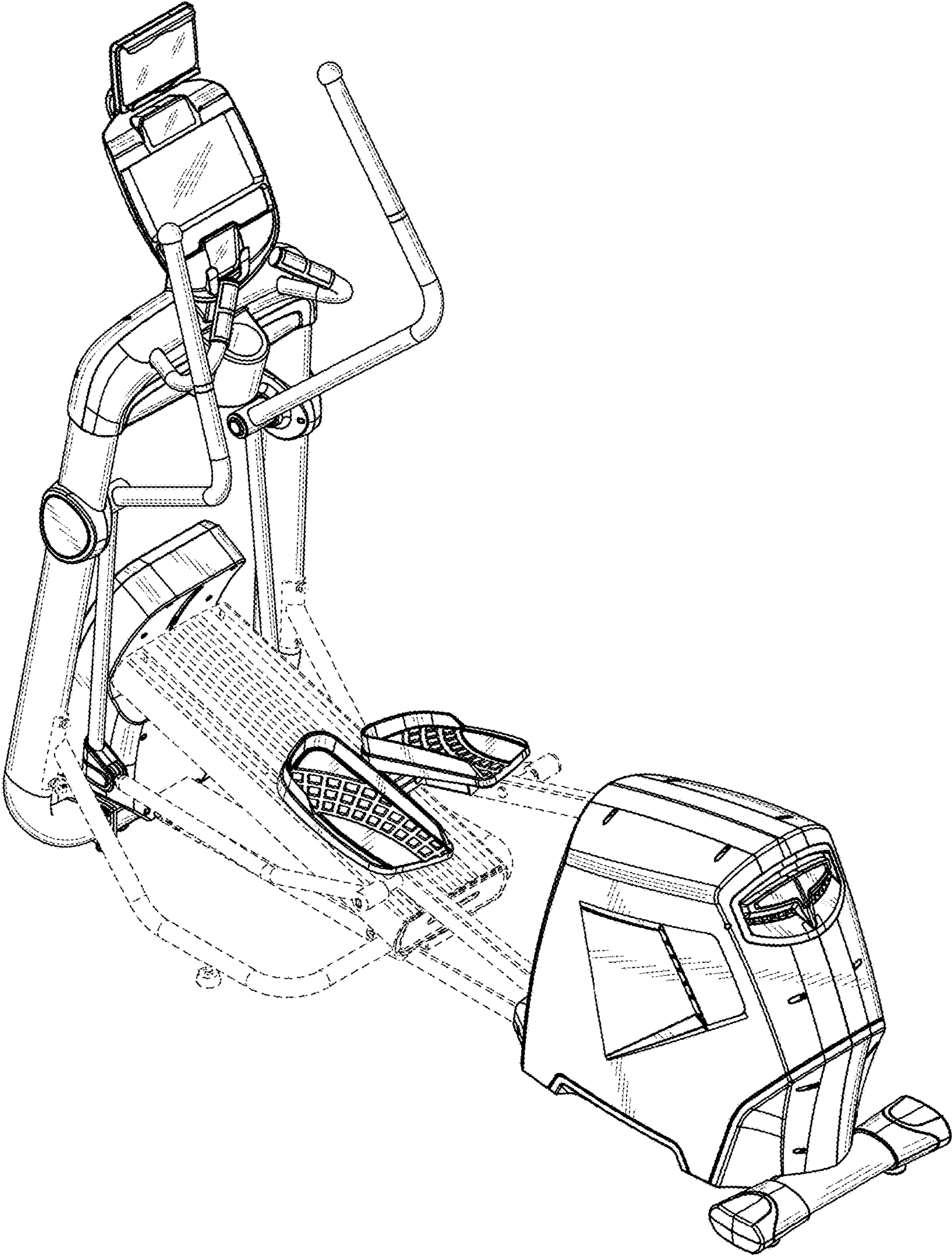


FIG. 1



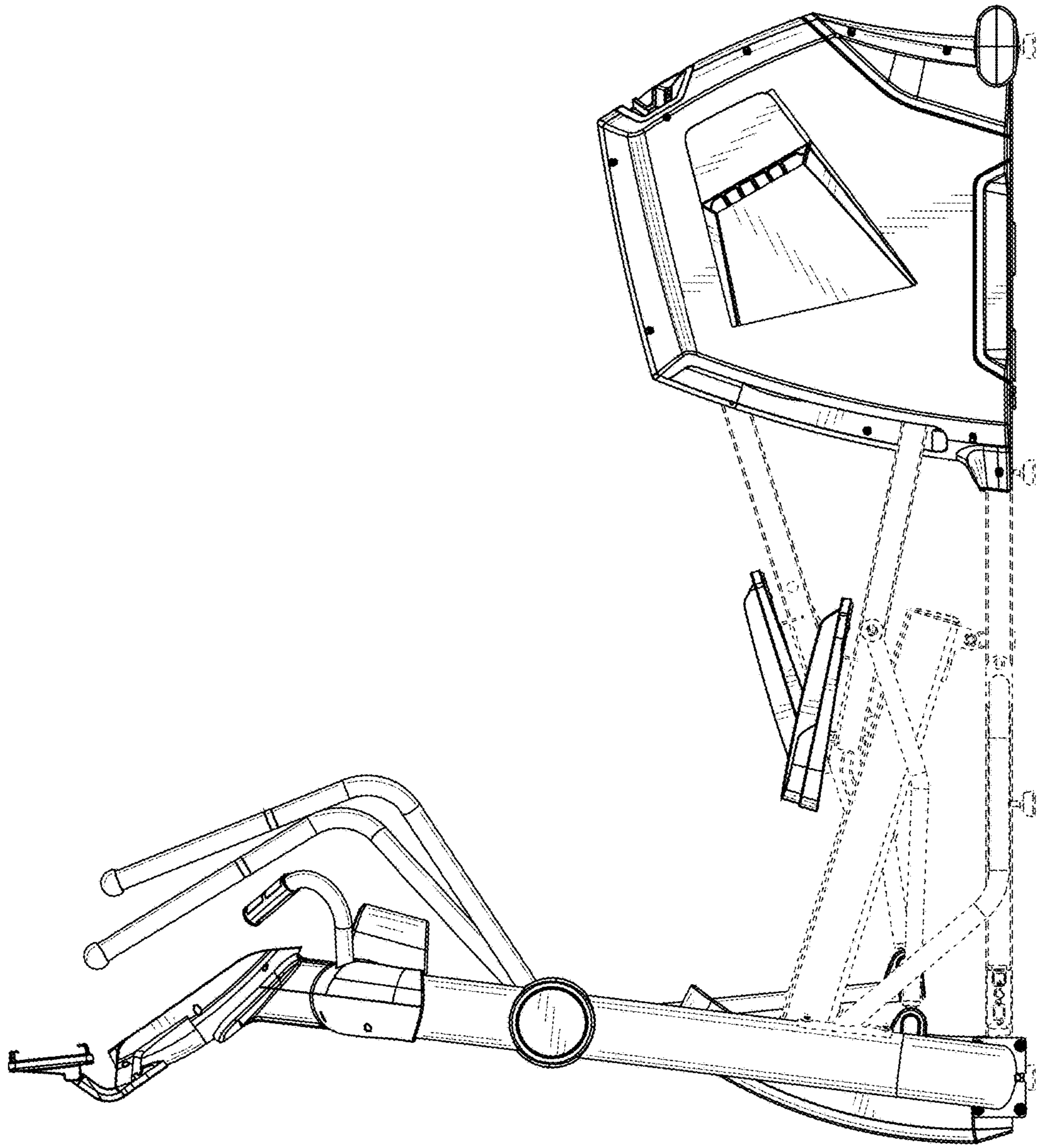


FIG. 2

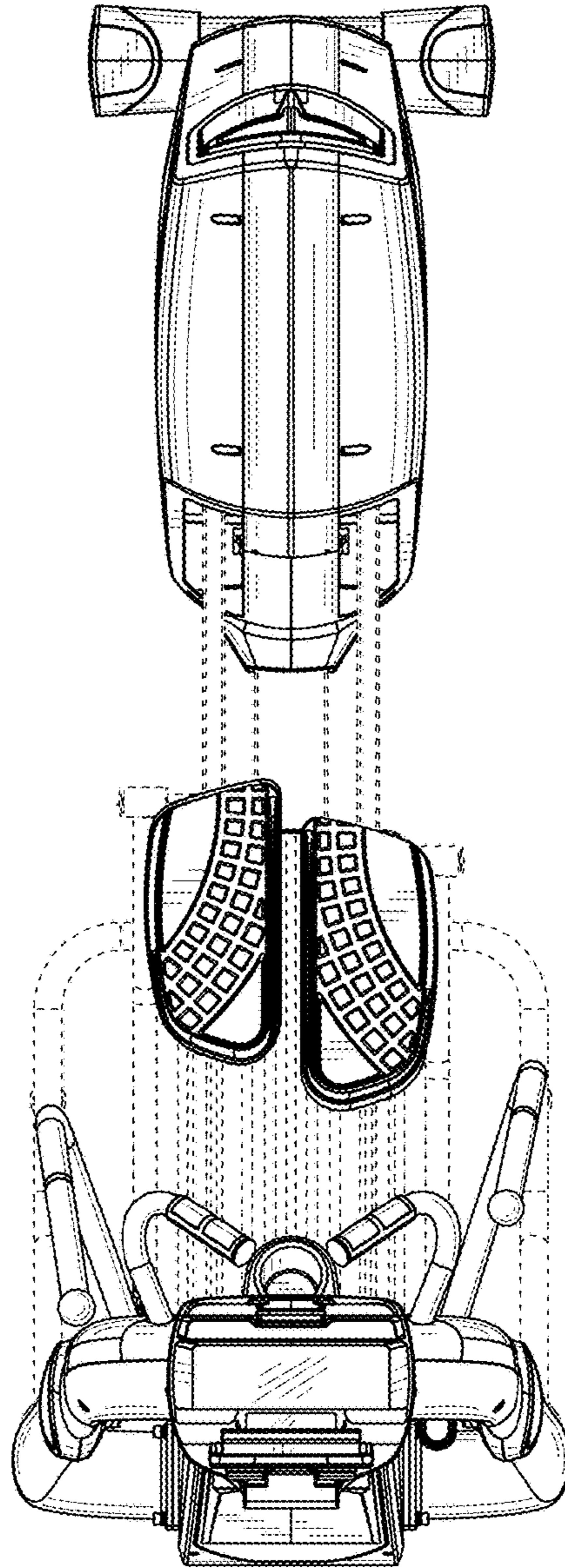
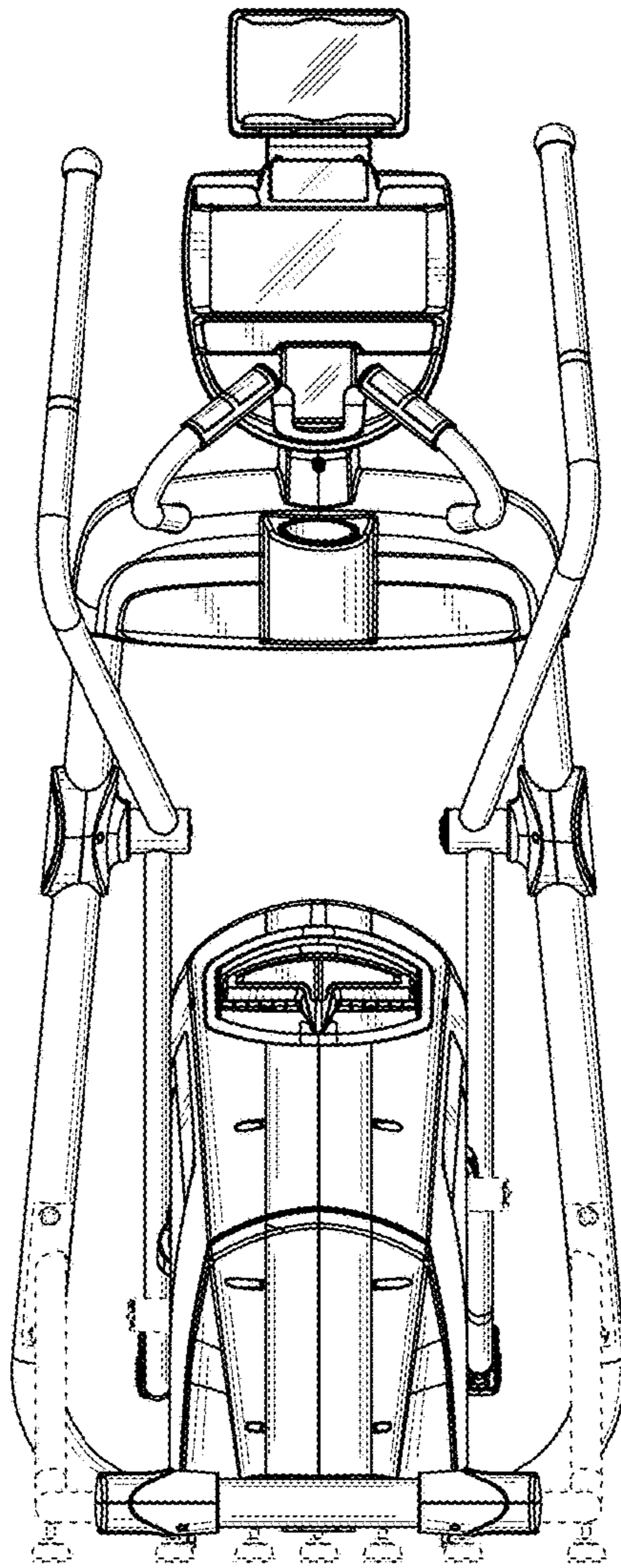


FIG. 3



**FIG. 4**