



US00D854096S

(12) **United States Design Patent**
Muraki et al.

(10) **Patent No.:** **US D854,096 S**

(45) **Date of Patent:** **** Jul. 16, 2019**

(54) **SPINNING TOP TOY**

(71) Applicant: **TOMY COMPANY, LTD.**, Tokyo (JP)

(72) Inventors: **Makoto Muraki**, Tokyo (JP); **Hiroyuki Matsukawa**, Tokyo (JP)

(73) Assignee: **TOMY COMPANY, LTD.**, Tokyo (JP)

(**) Term: **15 Years**

(21) Appl. No.: **29/620,264**

(22) Filed: **Sep. 8, 2016**

(30) **Foreign Application Priority Data**

Jul. 5, 2016 (JP) 2016-014329

(51) **LOC (11) Cl.** **21-01**

(52) **U.S. Cl.**
USPC **D21/460**

(58) **Field of Classification Search**

USPC D21/455-464; 446/236-266

(Continued)

(56) **References Cited**

U.S. PATENT DOCUMENTS

D608,842 S * 1/2010 Nishimoto D21/460
D610,209 S * 2/2010 Nishimoto D21/460

(Continued)

FOREIGN PATENT DOCUMENTS

CN 300687773 * 9/2007
CN 302092851 * 9/2012

(Continued)

Primary Examiner — Catherine A Tuttle

(74) *Attorney, Agent, or Firm* — Staas & Halsey LLP

(57) **CLAIM**

The ornamental design for a spinning top toy, as shown and described.

DESCRIPTION

FIG. 1 is a front view of the spinning top toy showing our design, the transparent areas being indicated by the omission of contour shading;

FIG. 2 is a left side view thereof, the transparent areas being indicated by the omission of contour shading;

FIG. 3 is a rear view thereof, the transparent areas being indicated by the omission of contour shading;

FIG. 4 is right side view thereof, the transparent areas being indicated by the omission of contour shading;

FIG. 5 is a top view thereof, the transparent areas being indicated by the omission of contour shading;

FIG. 6 is a bottom view thereof, the transparent areas being indicated by the omission of contour shading;

FIG. 7 is a perspective view thereof, the transparent areas being indicated by the omission of contour shading;

FIG. 8 is a front elevational view of the transparent portion of the design shown in isolation for clarity of disclosure, the transparent areas being indicated by the omission of contour shading;

FIG. 9 is a front view thereof corresponding to FIG. 1 but showing contour shading to the exterior transparent parts and with the interior parts omitted for clarity of disclosure;

FIG. 10 is a left side view thereof corresponding to FIG. 2 but showing contour shading to the exterior transparent parts and with the interior parts omitted for clarity of disclosure;

FIG. 11 is rear view thereof corresponding to FIG. 3 but showing contour shading to the exterior transparent parts and with the interior parts omitted for clarity of disclosure;

FIG. 12 is a right side view thereof corresponding to FIG. 4 but showing contour shading to the exterior transparent parts and with the interior parts omitted for clarity of disclosure;

FIG. 13 is a top view thereof corresponding to FIG. 5 but showing contour shading to the exterior transparent parts and with the interior parts omitted for clarity of disclosure;

FIG. 14 is a bottom view thereof corresponding to FIG. 6 but showing contour shading to the exterior transparent parts and with the interior parts omitted for clarity of disclosure;

FIG. 15 is a perspective view corresponding to FIG. 7, but showing contour shading to the exterior transparent parts and with the interior parts omitted for clarity of disclosure; and,

(Continued)

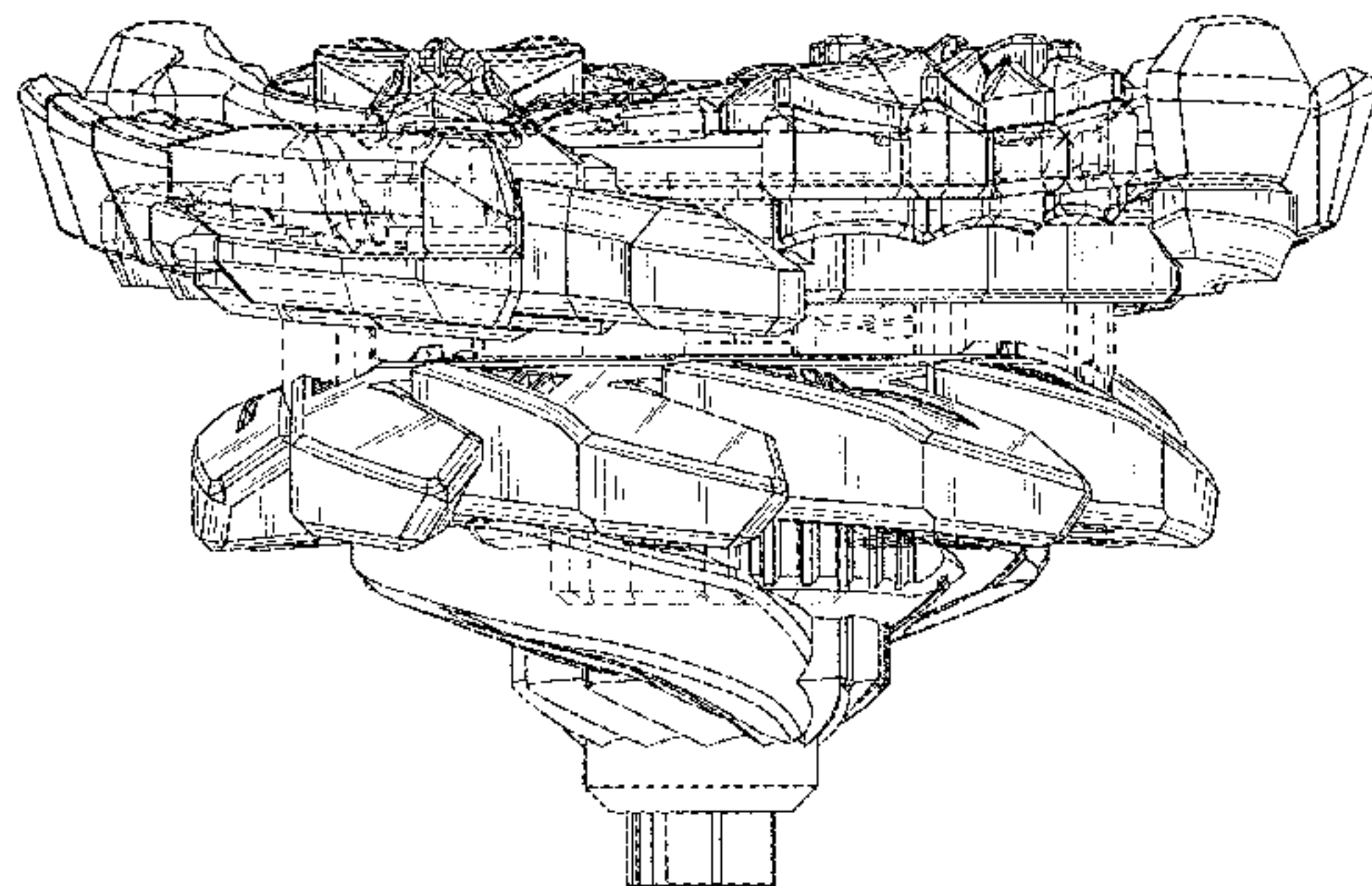


FIG. 16 is front elevational view corresponding to FIG. 8, but showing contour shading to the exterior transparent parts.

The portions of the spinning top toy shown in broken lines form no part of the claimed design.

Exterior profiles that would be visible through the transparent part have been omitted in various areas for a clear disclosure of the overlying structures.

1 Claim, 16 Drawing Sheets

(58) **Field of Classification Search**

CPC A63H 1/00-32; A63F 9/16
See application file for complete search history.

(56) **References Cited**

U.S. PATENT DOCUMENTS

D629,051 S * 12/2010 Nishimoto D21/460

D629,468 S * 12/2010 Ujita D21/460
D629,847 S * 12/2010 Ujita D21/460
D629,848 S * 12/2010 Ujita D21/460
D639,869 S * 6/2011 Nishimoto D21/460
D660,918 S * 5/2012 Ujita D21/460
D666,252 S * 8/2012 Ujita D21/460
D666,253 S * 8/2012 Ujita D21/460
D667,894 S * 9/2012 Horikoshi D21/460
9,849,393 B2 * 12/2017 Muraki A63H 1/00
D834,101 S * 11/2018 Horikoshi D21/460
D834,102 S * 11/2018 Muraki D21/460

FOREIGN PATENT DOCUMENTS

CN 302362408 * 3/2013
EM 002062091-0001 * 7/2012
EM 003047489-0001 * 4/2016
EM 003318252-0004 * 8/2016
EM 003318252-0006 * 8/2016
JP 3160657 U * 7/2010 A63H 1/00
JP D1549751 * 5/2016

* cited by examiner

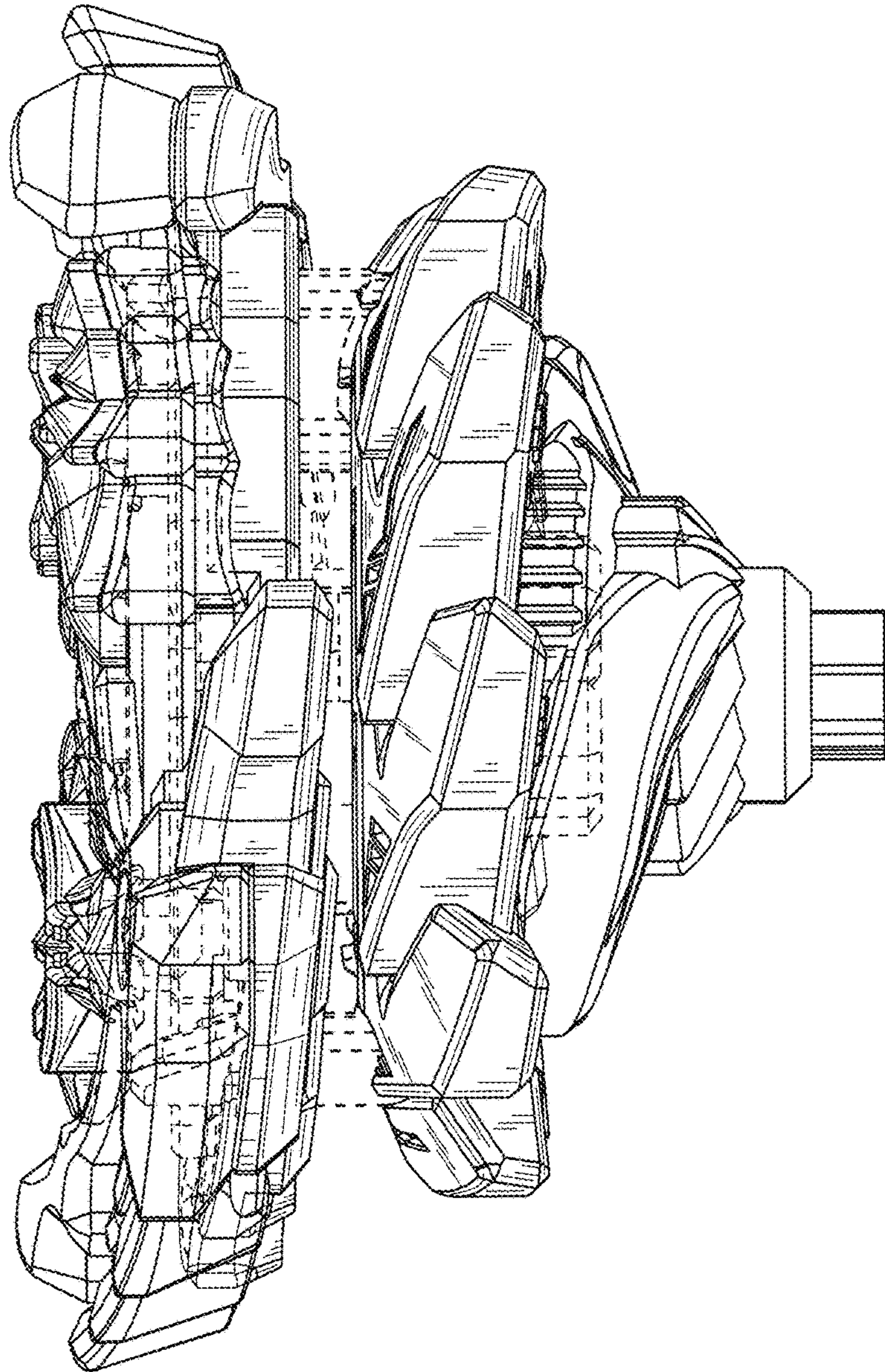


FIG. 1

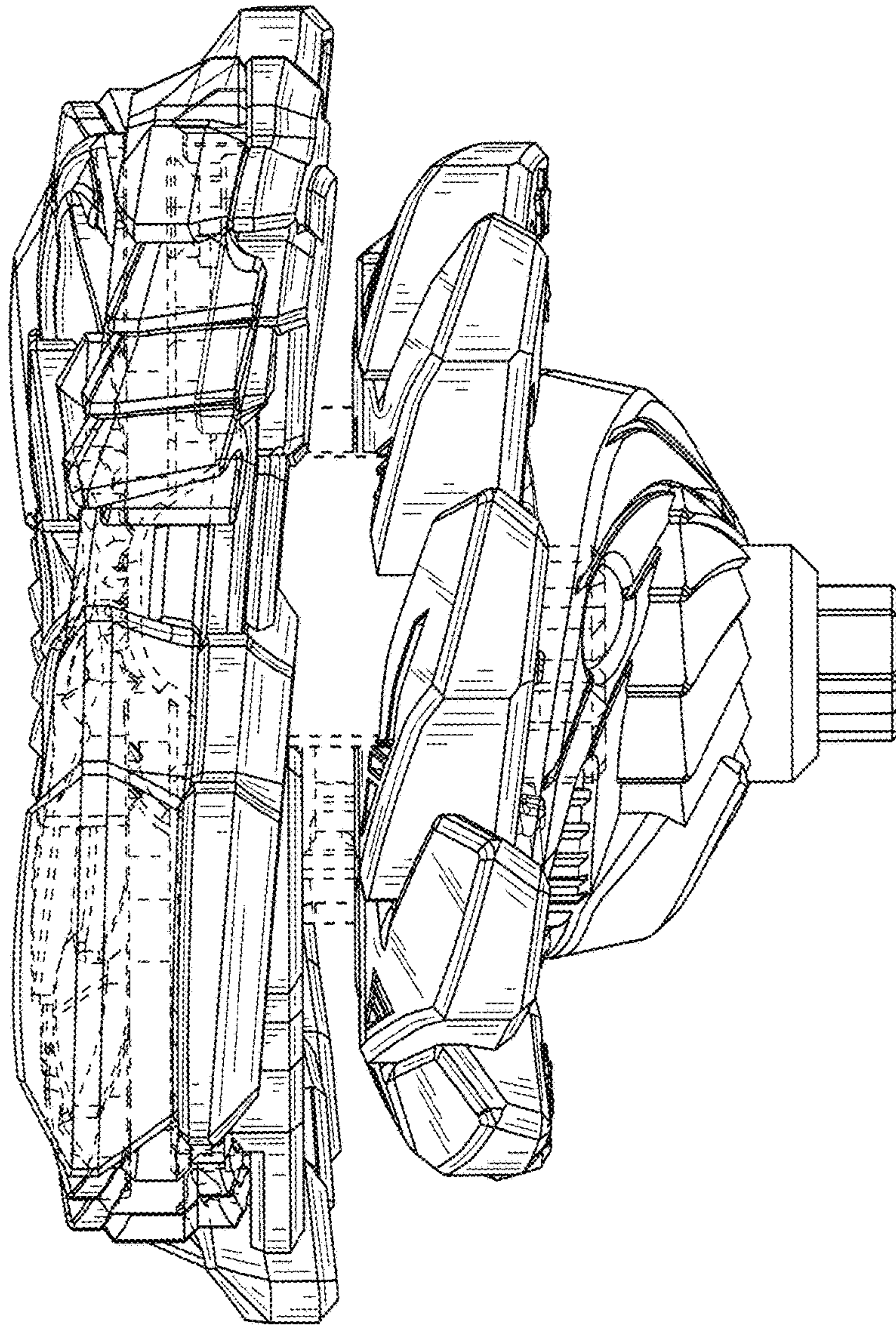


FIG. 2

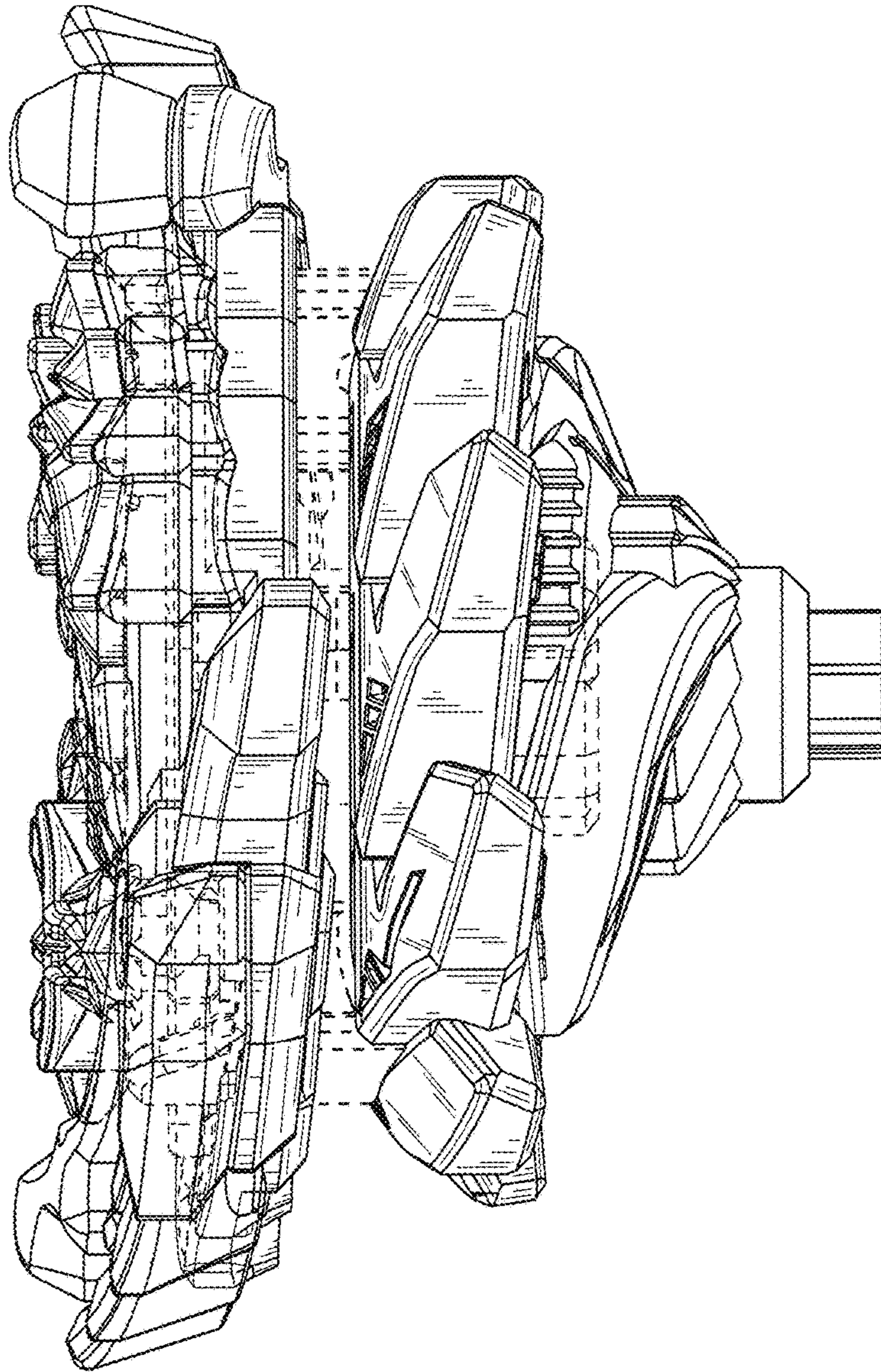


FIG. 3

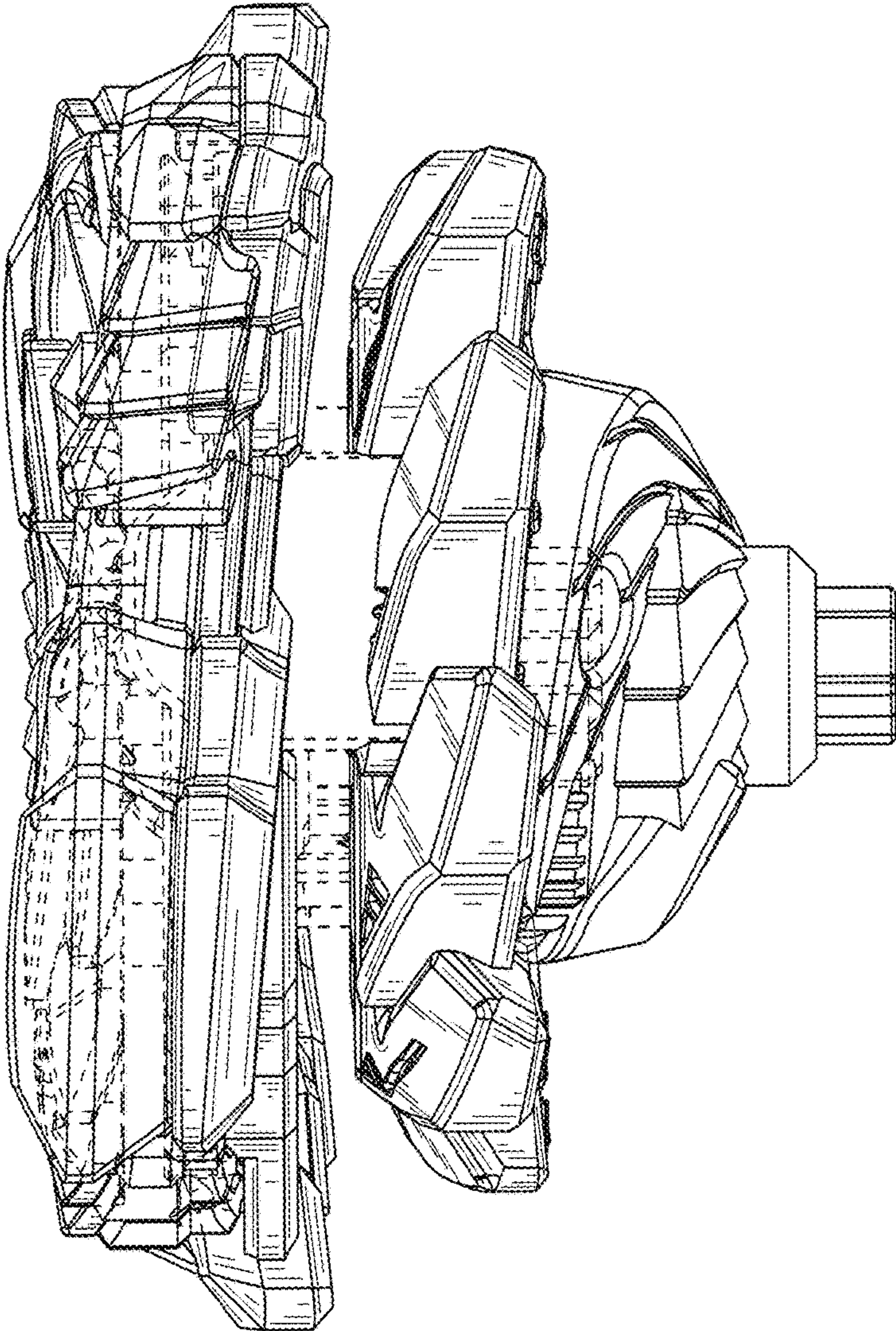


FIG. 4



FIG. 5

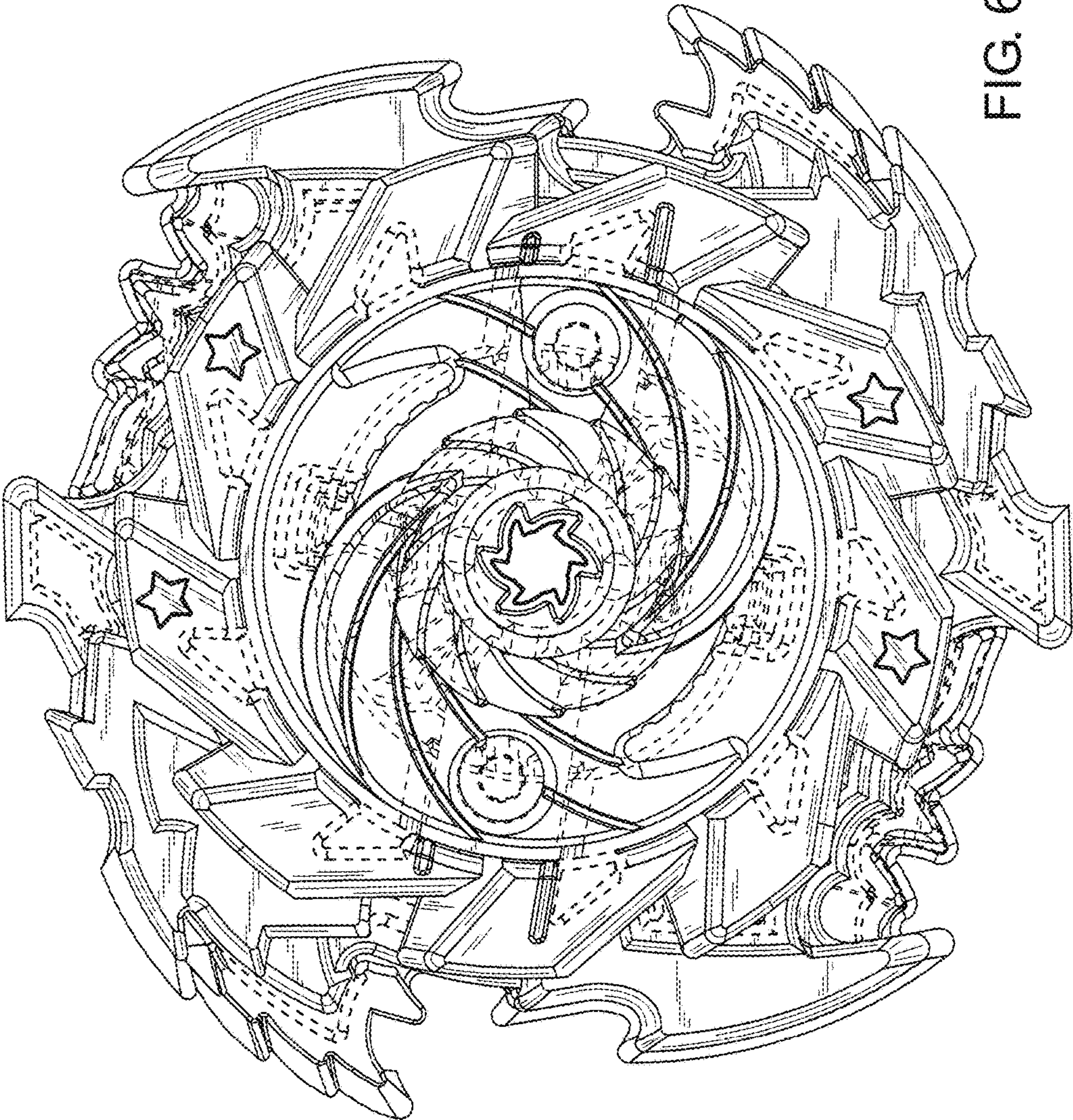


FIG. 6

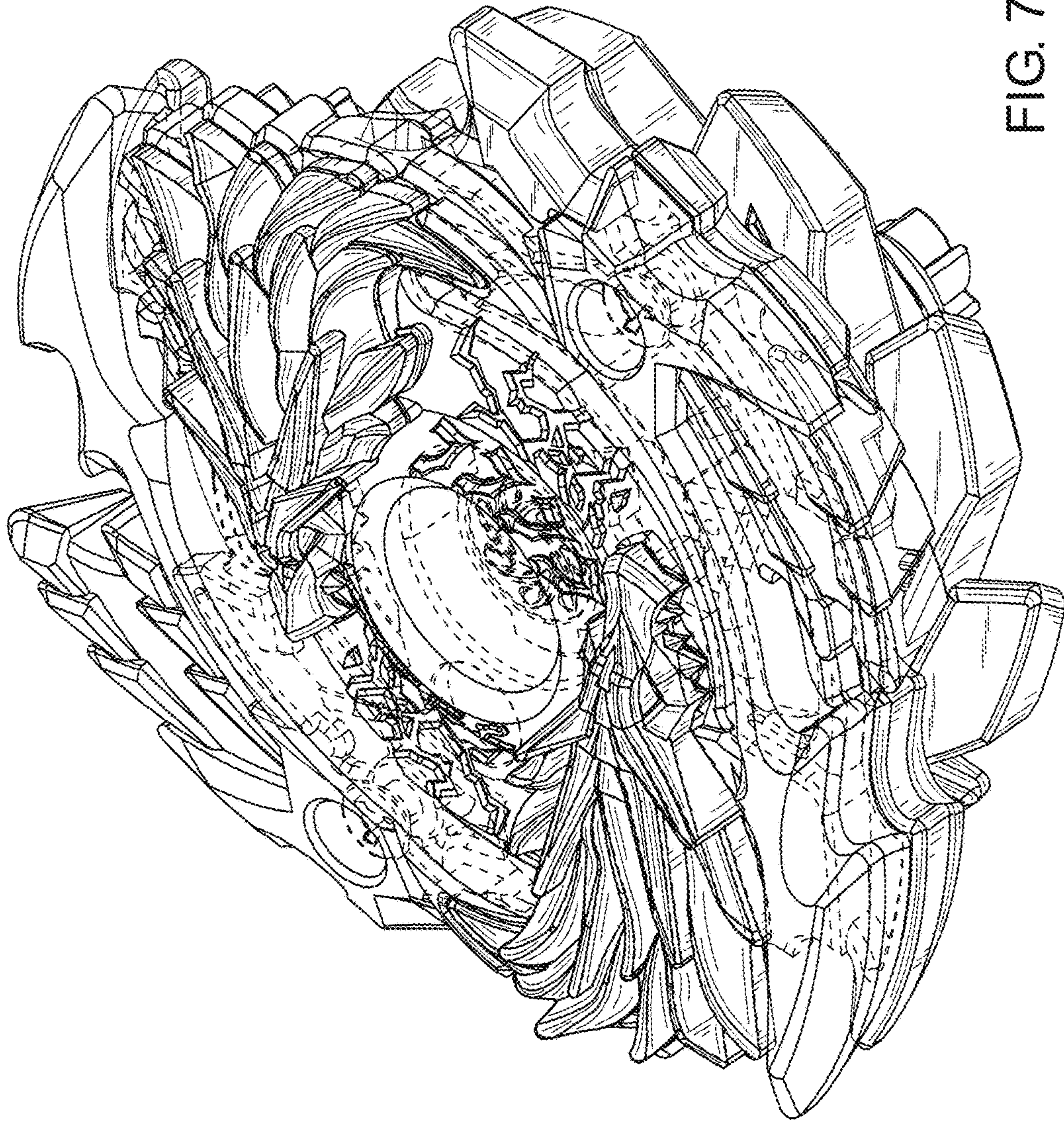


FIG. 7

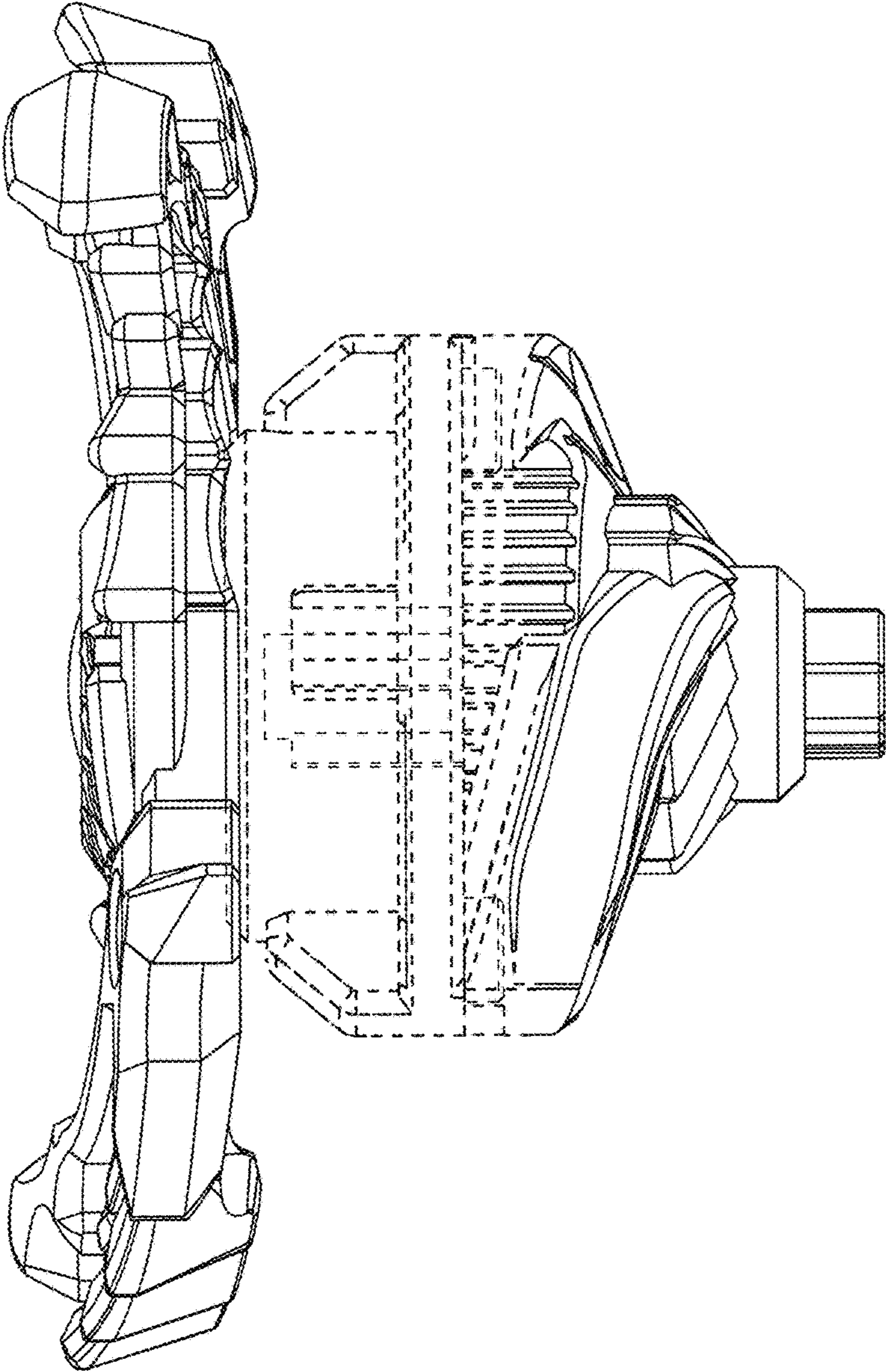


FIG. 8

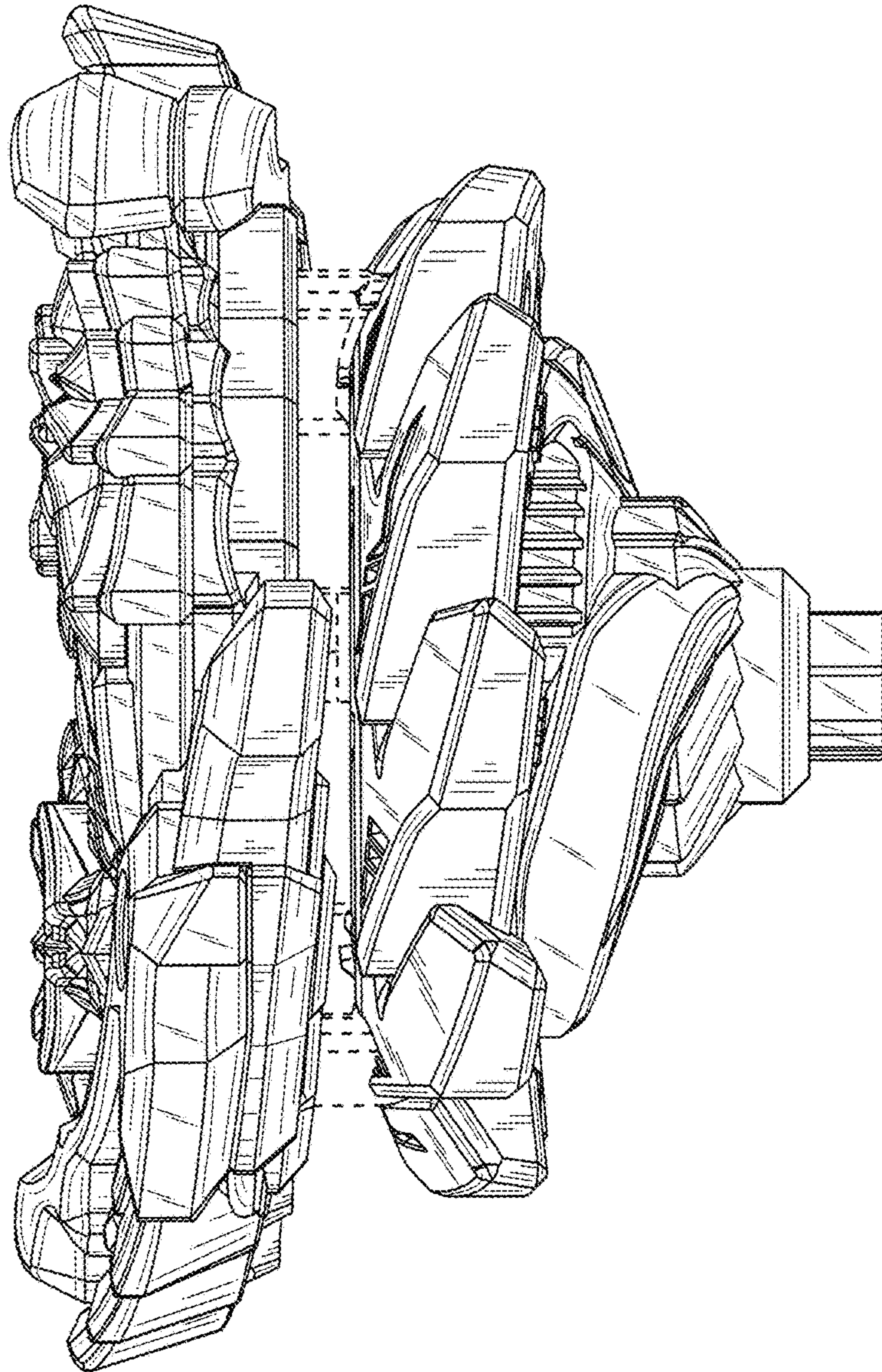


FIG. 9

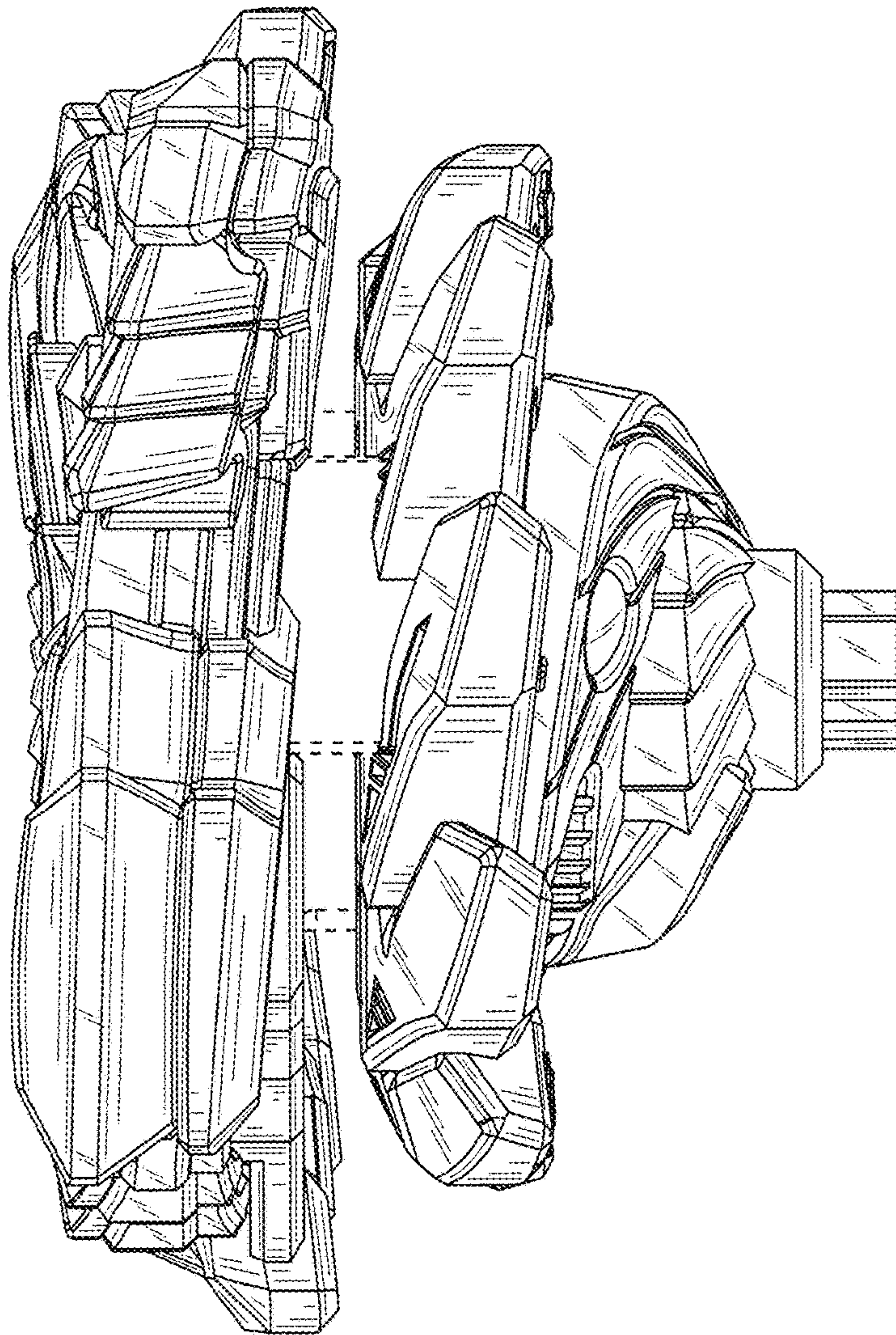


FIG. 10

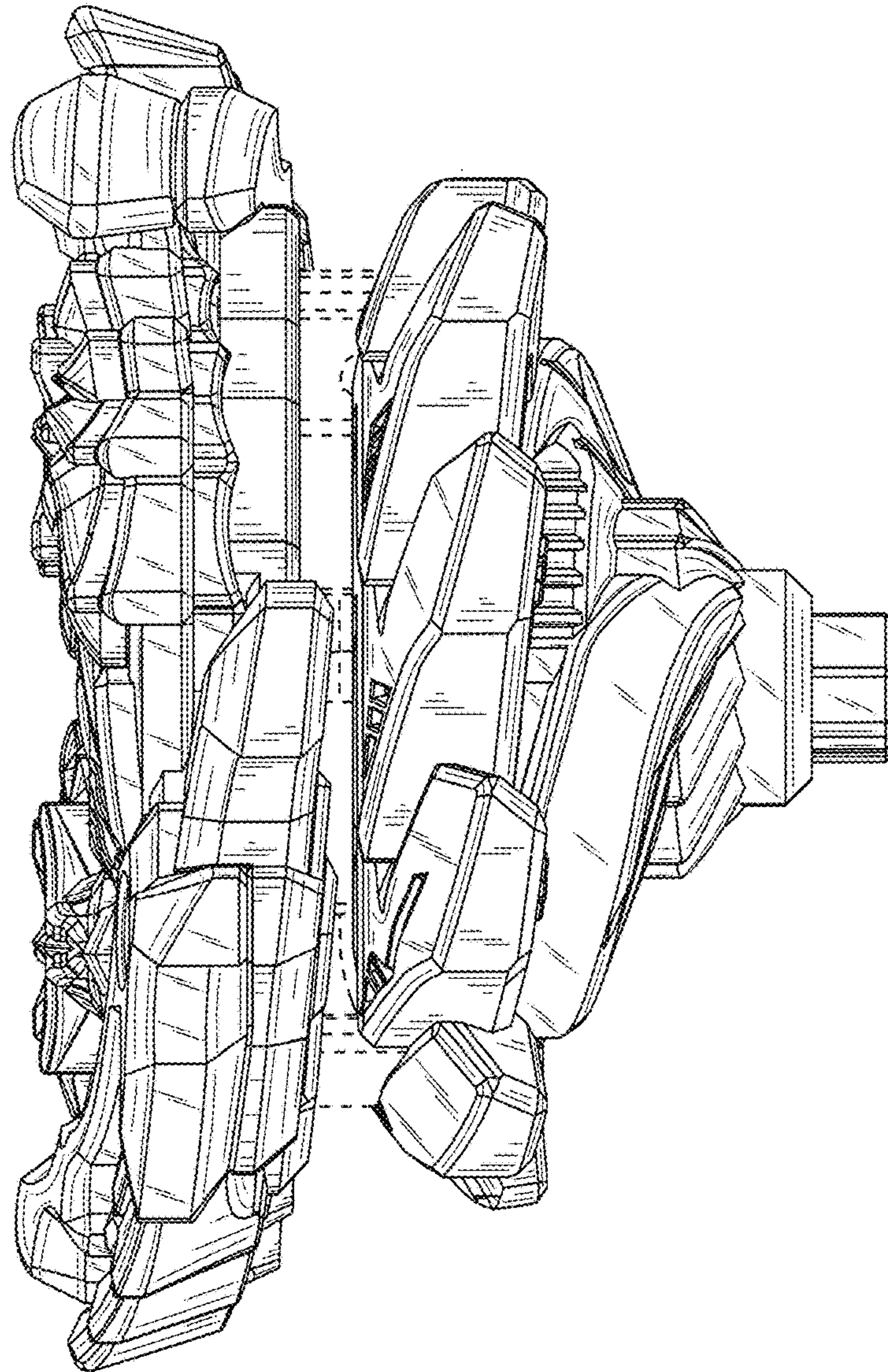


FIG. 11

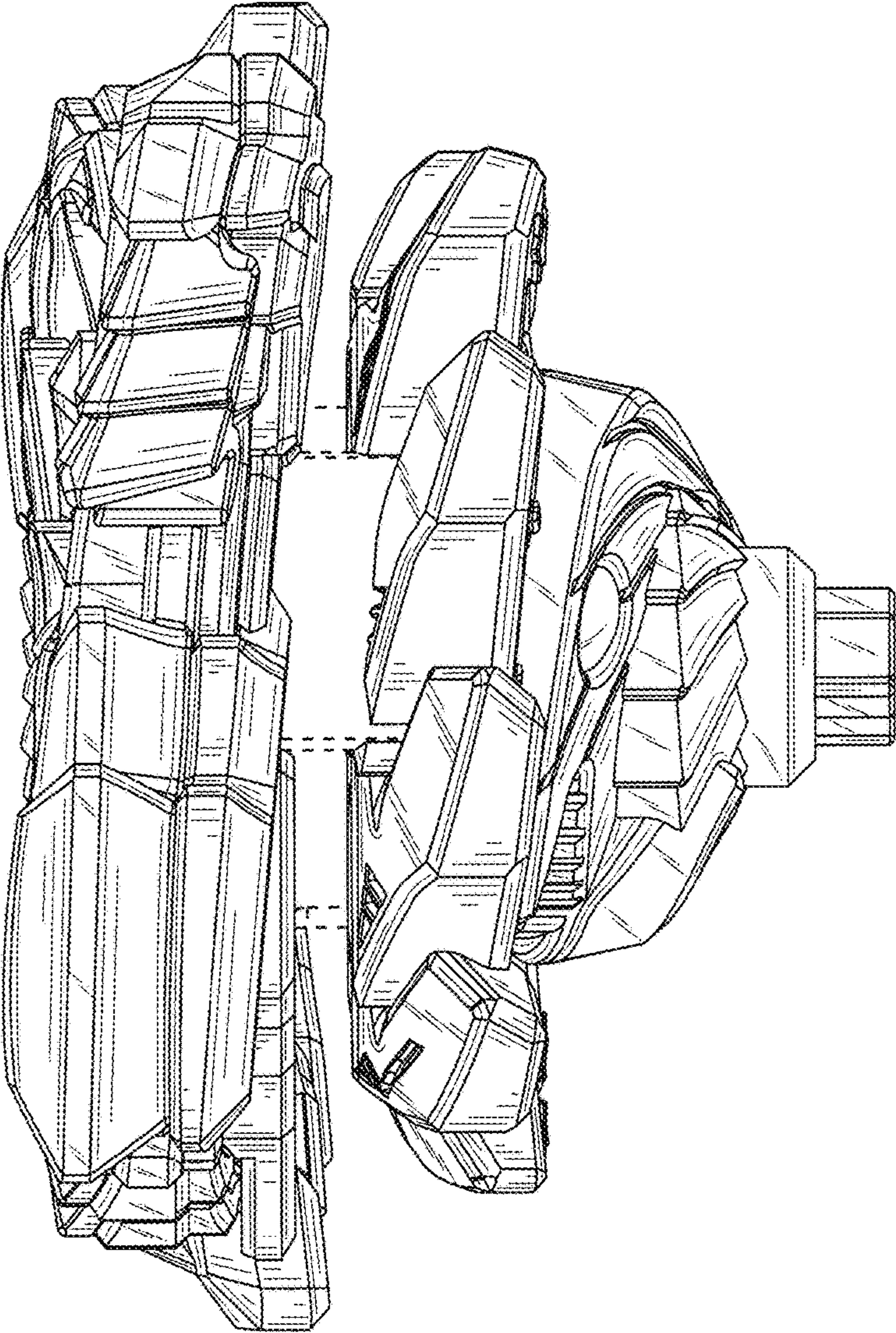


FIG. 12

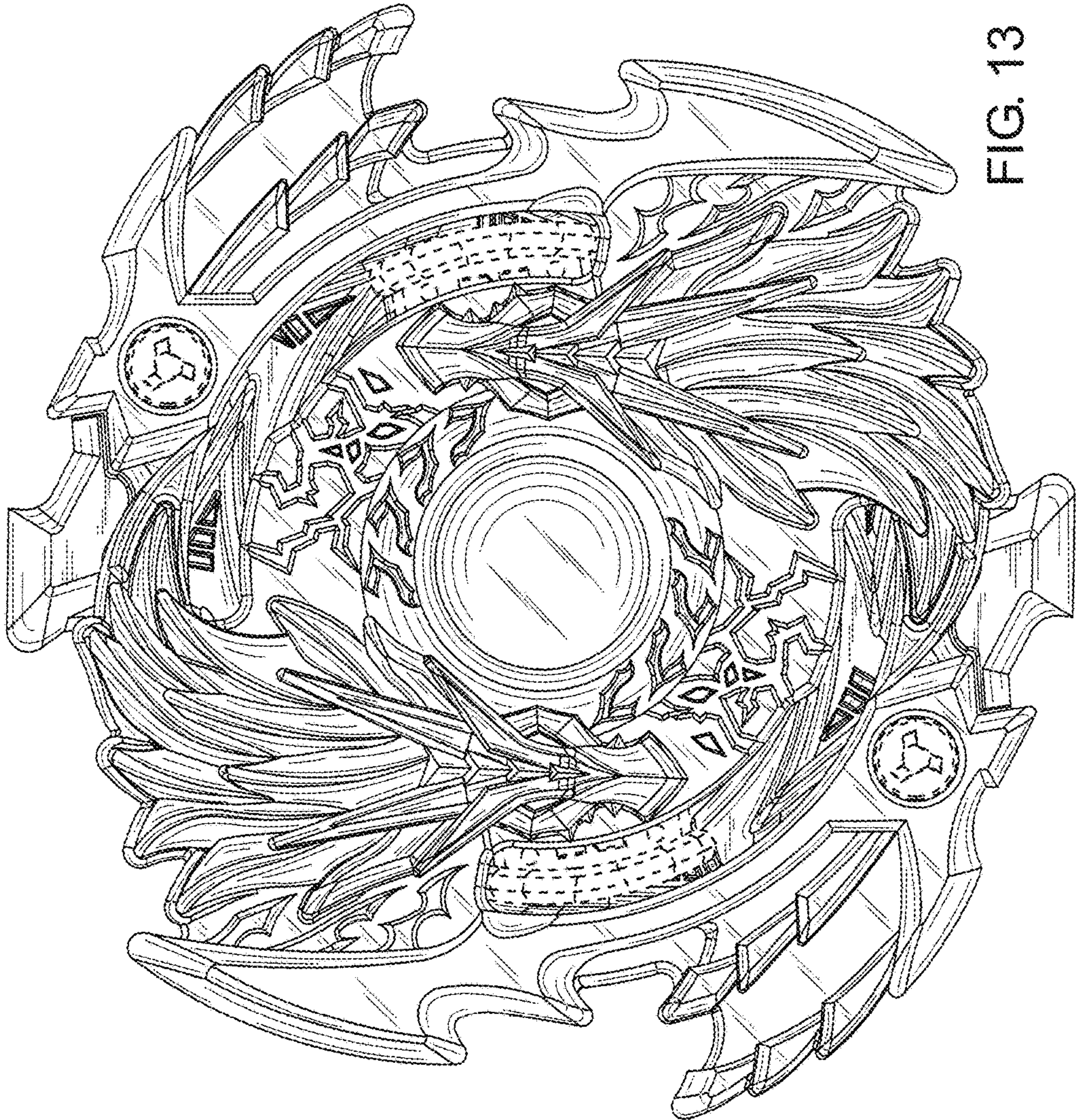


FIG. 13

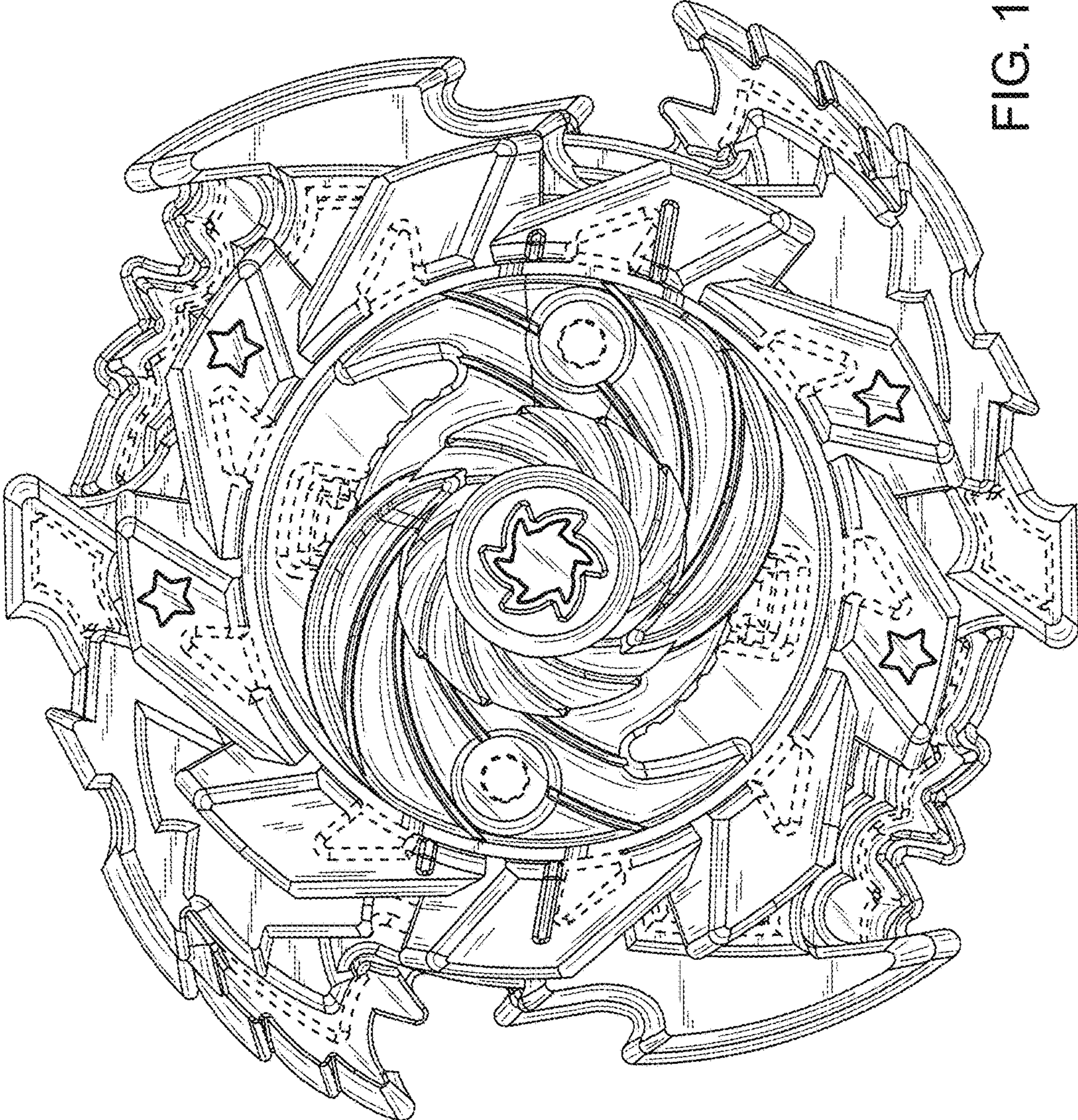


FIG. 14

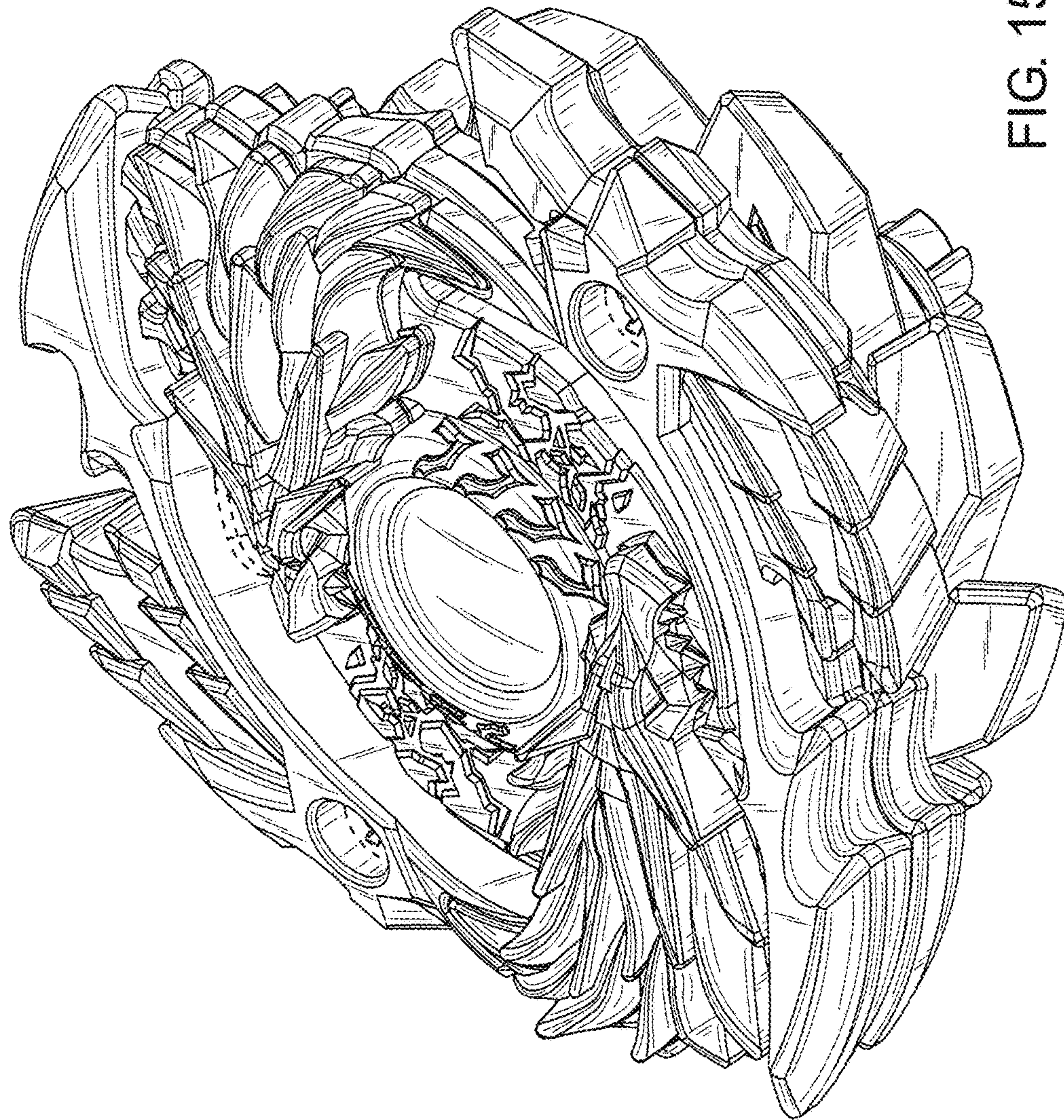


FIG. 15

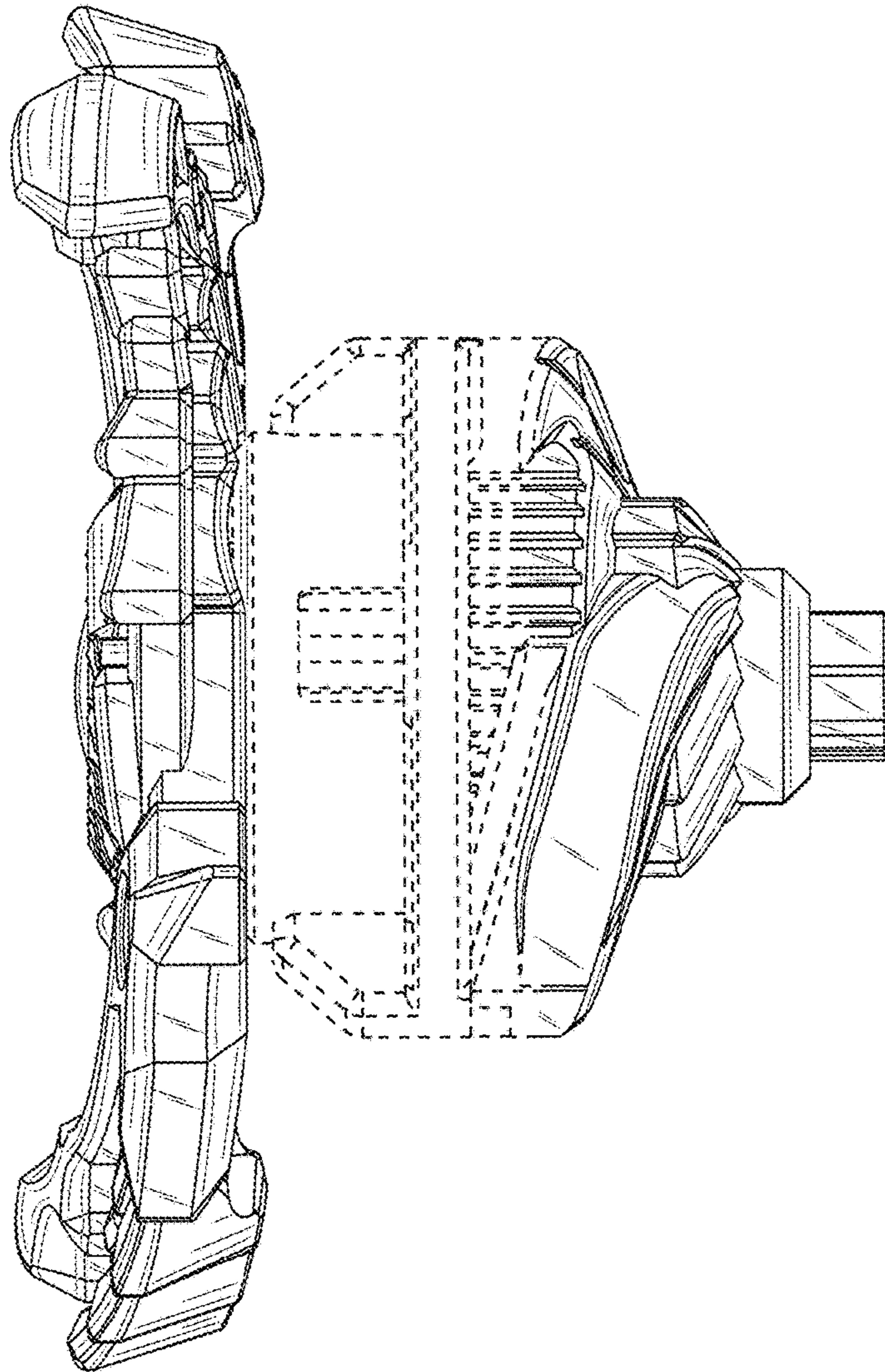


FIG. 16