

US00D854092S

(12) **United States Design Patent** (10) **Patent No.:** **US D854,092 S**
Solomon et al. (45) **Date of Patent:** **** Jul. 16, 2019**

(54) **GAME PIECE** 5,497,991 A * 3/1996 Huang A63F 3/00097
273/157 R
(71) Applicant: **SCS Direct Inc.**, Trumbull, CT (US) D389,201 S 1/1998 Redler
D396,498 S 7/1998 Leslie
(72) Inventors: **Maximilian M. Solomon**, Naugatuck, CT (US); **Larkin Adam Moneyhun**,
Naugatuck, CT (US) 5,795,210 A 8/1998 Kushner et al.
D432,587 S 10/2000 Hertzano
(Continued)

(73) Assignee: **SCS Direct Inc.**, Trumbull, CT (US)
(**) Term: **15 Years**

FOREIGN PATENT DOCUMENTS
GB 1 537 056 12/1978
WO WO 2017/125723 7/2017

(21) Appl. No.: **29/675,671**
(22) Filed: **Jan. 4, 2019**
(51) **LOC (11) Cl.** **21-01**
(52) **U.S. Cl.**
USPC **D21/365**
(58) **Field of Classification Search**
USPC D21/363, 365, 385, 485-495, 498-499,
D21/500-505, 565-566; D25/113-115,
D25/118
CPC A63F 9/00; A63F 9/0076; A63F 2250/50;
A63F 2250/60; A63F 7/0076; E04C 2/54
See application file for complete search history.

OTHER PUBLICATIONS
kickstarter.com, Caverns Deep! By Dwarven Forge: Handcrafted
Game Terrain, <https://www.kickstarter.com/projects/dwarvenforge/caverns-deep-by-dwarven-forge-handcrafted-game-term> last viewed
Oct. 31, 2018.
(Continued)

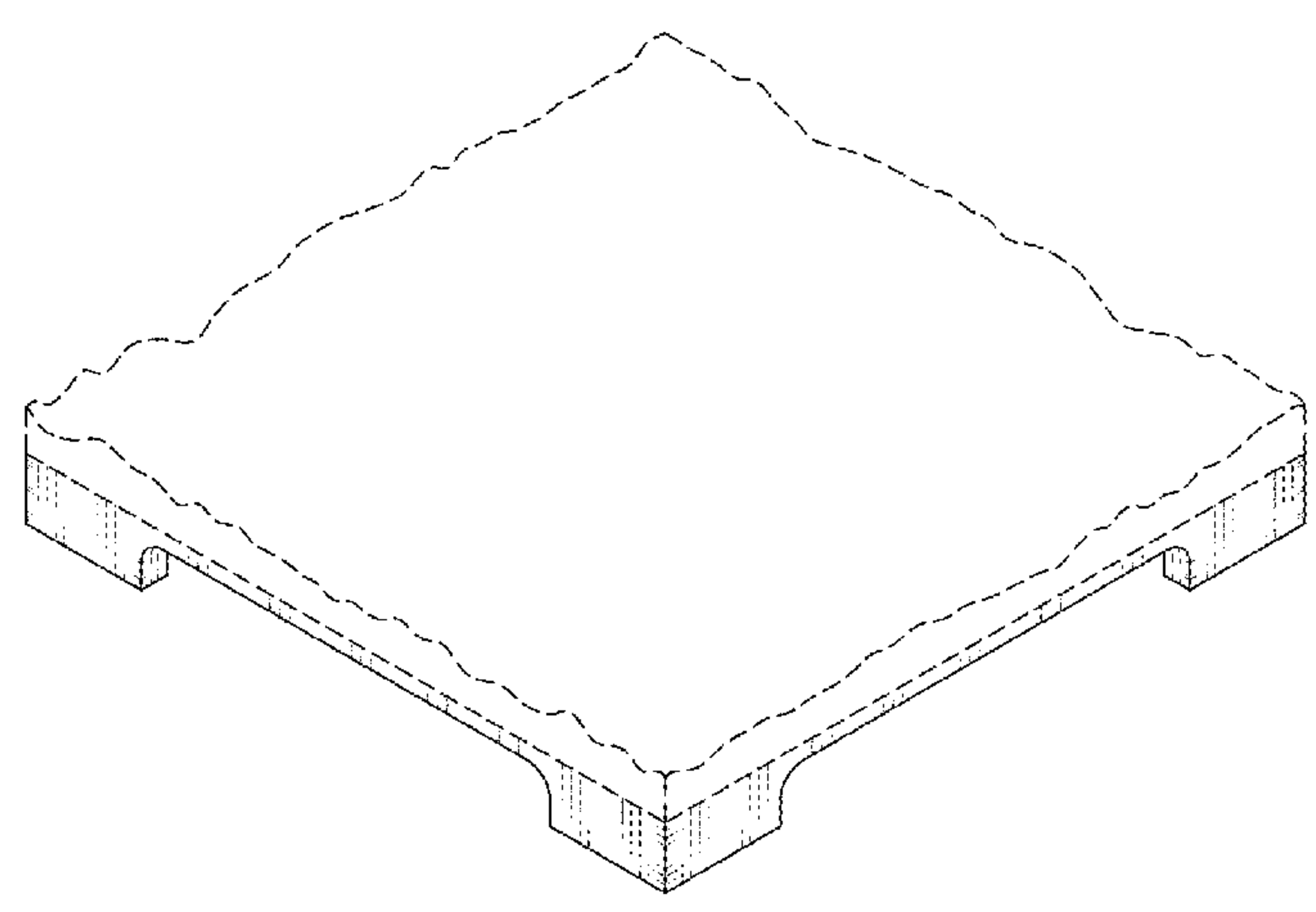
(56) **References Cited**
U.S. PATENT DOCUMENTS
2,659,163 A * 11/1953 Wilder A63F 9/0666
273/157 R
D179,971 S 4/1957 Frascolla
D191,316 S 9/1961 Calfee
3,000,134 A 9/1961 Marini
3,220,141 A 11/1965 Goss, III
3,577,671 A 5/1971 Woollett
D255,039 S 5/1980 Gale
D263,483 S 3/1982 Chen
D284,611 S 7/1986 Cotney et al.
D292,106 S 9/1987 Hertzano
D297,033 S 8/1988 Yamada
5,154,656 A 10/1992 Milstein
D330,805 S 11/1992 Yang
D342,553 S 12/1993 Bach

Primary Examiner — George D. Kirschbaum
Assistant Examiner — Joseph J Kukella
(74) *Attorney, Agent, or Firm* — Mark Nowotarski

(57) **CLAIM**
The ornamental design for a game piece, as shown and
described.

DESCRIPTION
FIG. 1 is a top orthographic projection of game piece.
FIG. 2 is a bottom orthographic projection thereof.
FIG. 3 is a front elevational view thereof.
FIG. 4 is a rear elevational view thereof.
FIG. 5 is a left side elevational view thereof.
FIG. 6 is a right side elevational view thereof.
FIG. 7 is a top plan view thereof; and,
FIG. 8 is a bottom plan view thereof.
The broken lines in the figures depict environment and form
no part of the claimed design.

1 Claim, 4 Drawing Sheets



(56)

References Cited

U.S. PATENT DOCUMENTS

D446,255 S 8/2001 Kupperman
 D472,940 S 4/2003 Horikoshi
 D482,742 S 11/2003 May et al.
 D536,390 S * 2/2007 Van Ness D21/386
 D582,168 S 12/2008 Sandel
 D616,044 S 5/2010 Tervo
 D624,606 S 9/2010 Carmack
 D641,804 S * 7/2011 Kichijo D21/485
 8,382,548 B2 2/2013 Maggiore et al.
 D686,676 S 7/2013 Telford
 D689,142 S * 9/2013 Mimlitch, III D21/565
 8,961,259 B2 2/2015 Maggiore et al.
 D725,795 S 3/2015 Riccobene et al.
 D767,042 S 9/2016 Martin
 D771,752 S * 11/2016 Henkin D21/404
 D772,344 S * 11/2016 Moscatelli D21/386
 D772,345 S 11/2016 Eiger
 D773,562 S * 12/2016 Kiribuchi D21/363
 D777,845 S * 1/2017 Marcil D21/491
 D789,312 S * 6/2017 Wang D13/183
 D795,352 S * 8/2017 Moscatelli D21/386
 D799,609 S * 10/2017 Sprague D21/500
 D809,988 S * 2/2018 Angel D12/217
 D830,475 S * 10/2018 Wang D21/491
 D831,129 S * 10/2018 Wang D21/491

D832,361 S 10/2018 Findley
 D833,533 S * 11/2018 Mitreanu D21/365
 D833,541 S 11/2018 Barwald et al.
 2004/0051244 A1 3/2004 Weisman
 2007/0018395 A1 1/2007 Scriven

OTHER PUBLICATIONS

kickstarter.com, Rampage Dungeon—Seamless Interlocking Dungeon Tiles by Architects of Destruction, <https://www.kickstarter.com/projects/606457671/rampage-dungeon-seamless-interlocking-dungeon-tile>, last viewed Oct. 30, 2018.
 Various images from the Internet, last viewed Oct. 30, 2018.
 kickstarter.com, Gridscape™ Peg Board Game Terrain by Wayne Johnson, <https://www.kickstarter.com/projects/821398662/gridscape-peg-board-game-terrain>, last viewed Oct. 31, 2018.
 terrainosaur.com, Terrainosaur Game Terrain & Scenery, MageKnight 3D Dungeons Review, <http://www.terrainosaur.com/gallery/viewtopic.php?t=188&sid=e8dcb29d5bcdfade9925dd82a3af5264>, last viewed.
 kickstarter.com, ZFIGS Interlocking Dungeon Tiles by Toy Vault, <https://www.kickstarter.com/projects/toyvaultinc/zfigs-interlocking-dungeon-tiles>, last viewed Dec. 3, 2018.
 Wm A. Kilian Hardware Co., Aluminum Post Pedestal Bases, <http://kilianhardware.com/alpopeba.html>, last viewed Dec. 28, 2018.

* cited by examiner

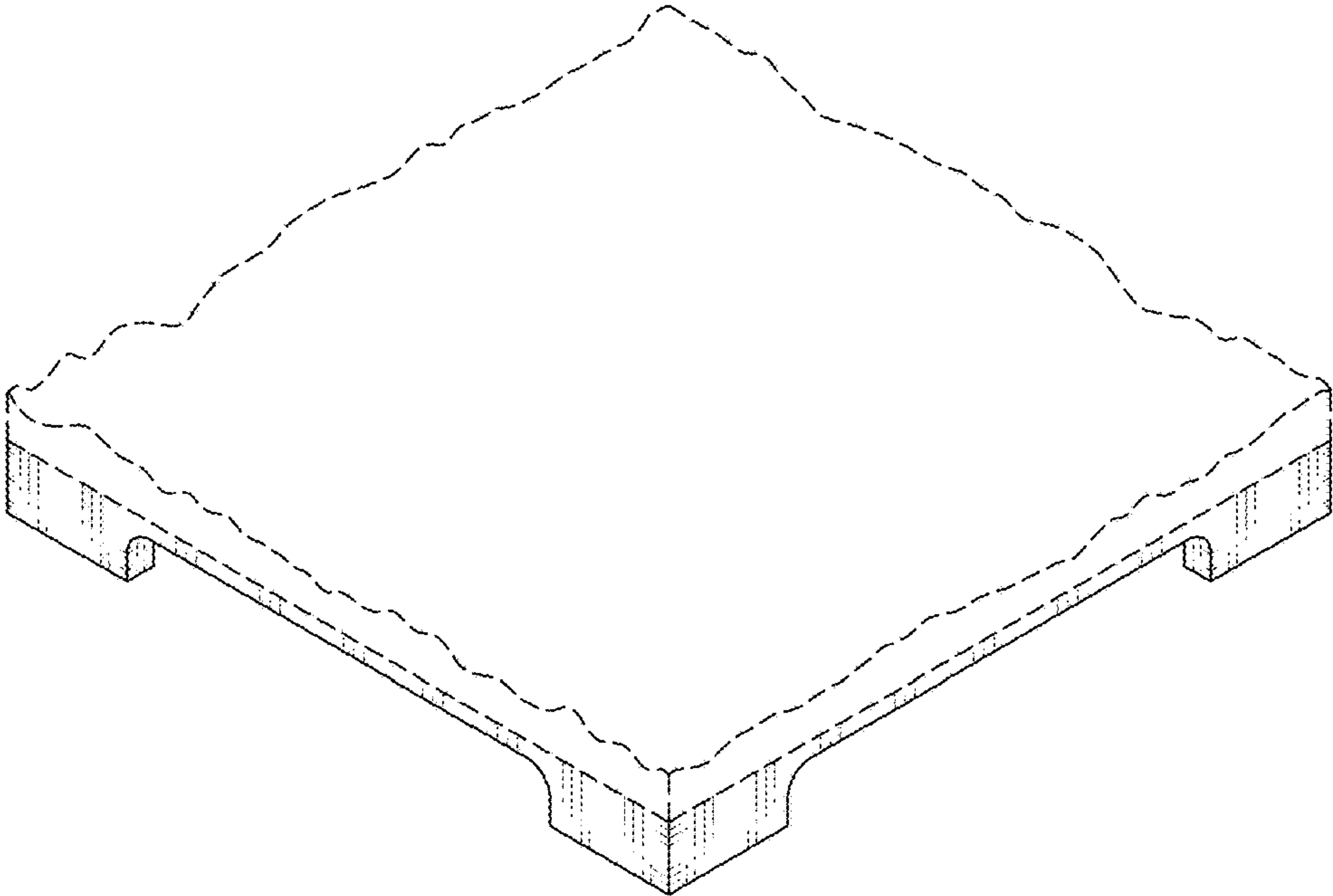


FIG. 1

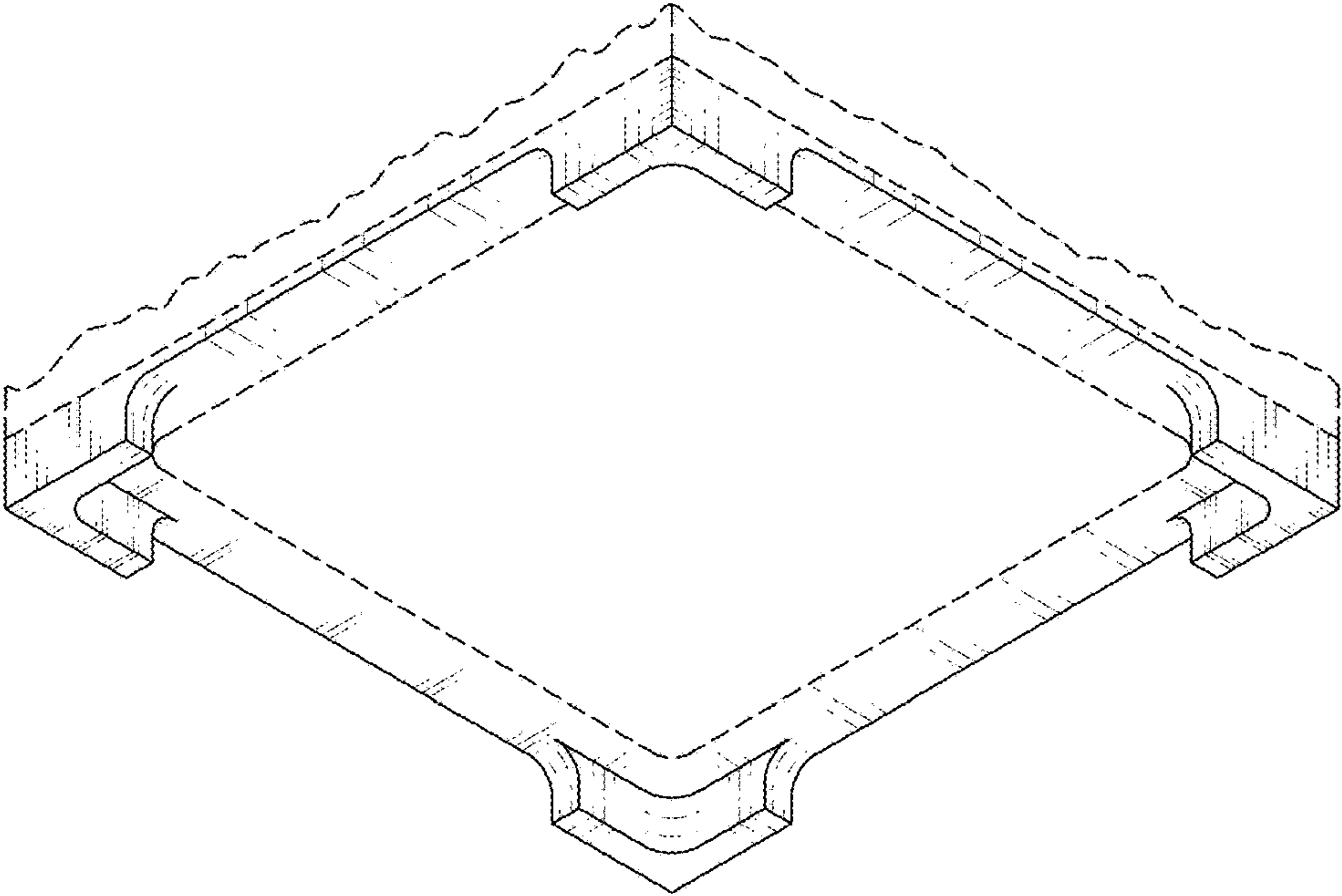


FIG. 2

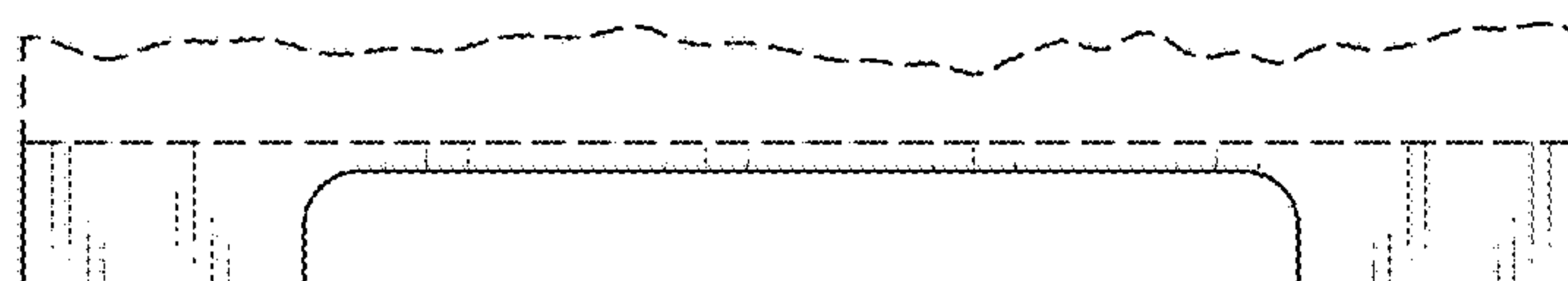


FIG. 3

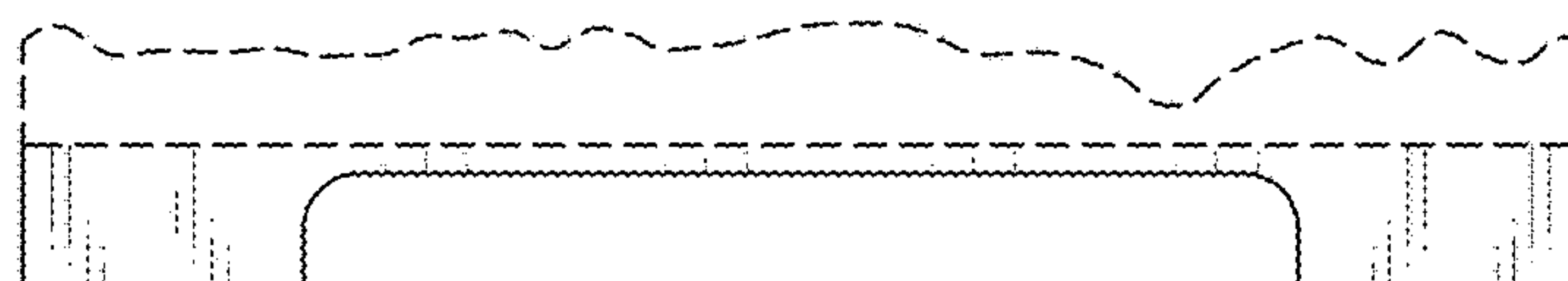


FIG. 4

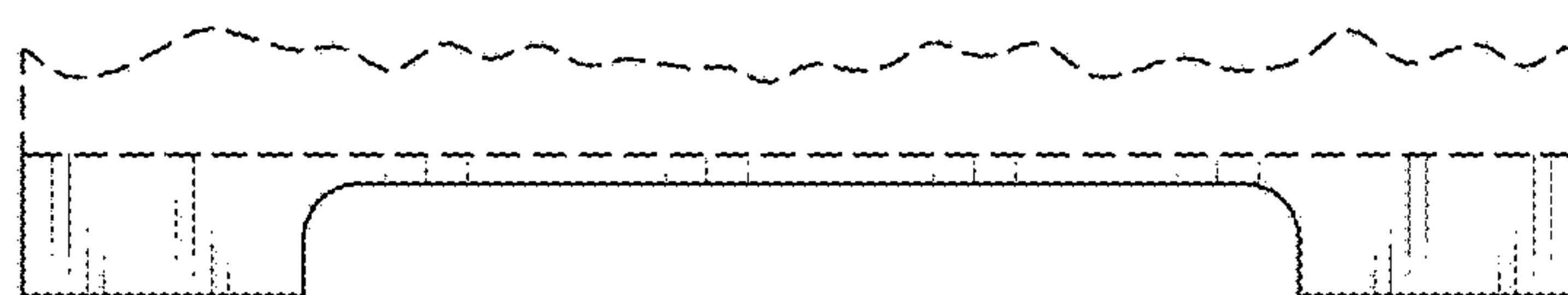


FIG. 5

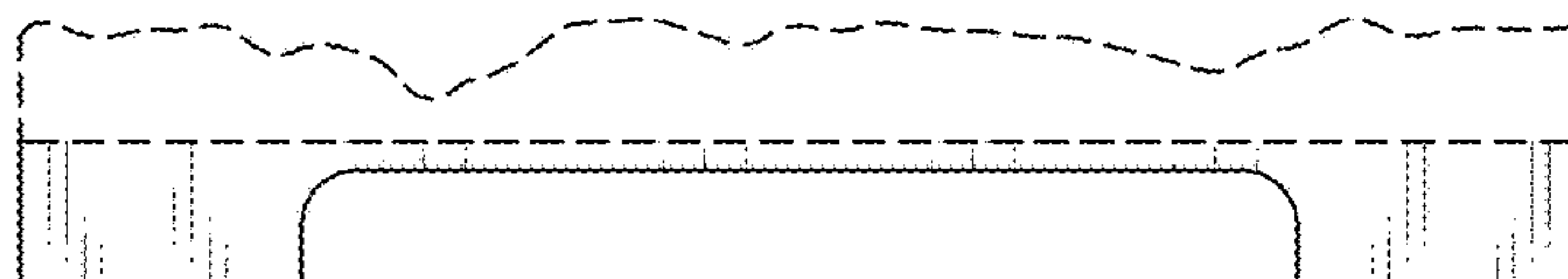


FIG. 6

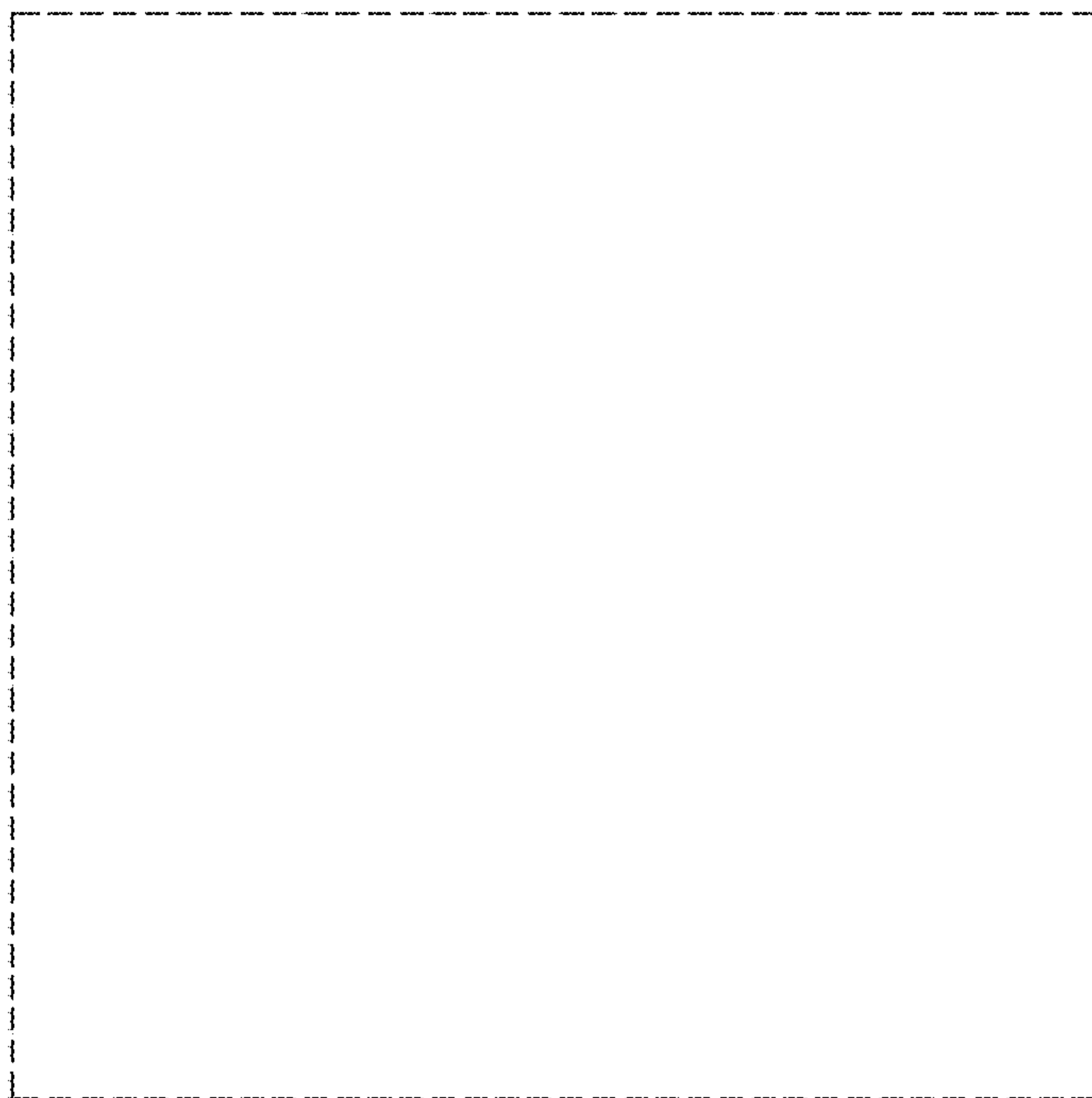


FIG. 7

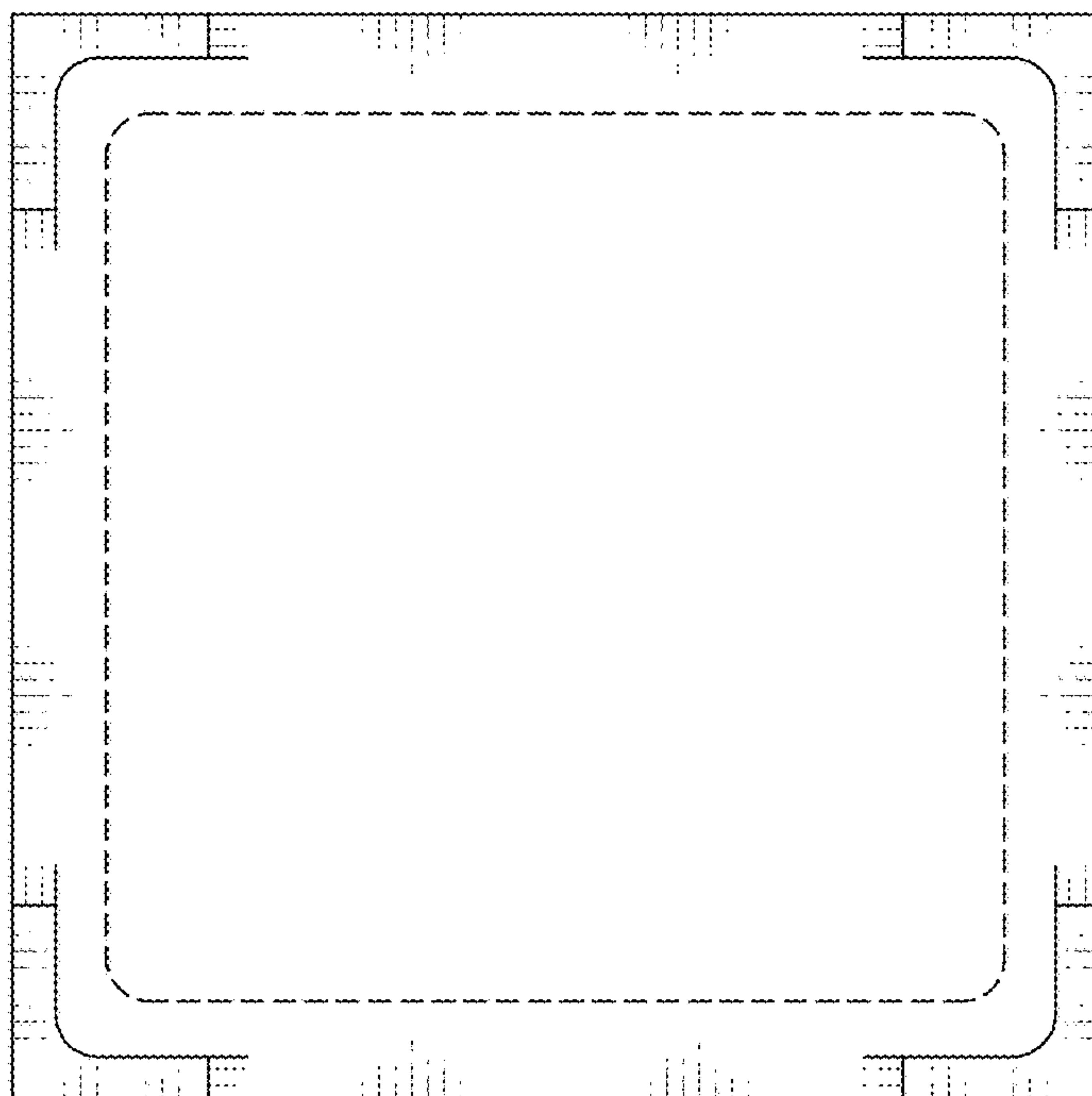


FIG. 8