



US00D854091S

(12) **United States Design Patent**  
**Ying et al.**

(10) **Patent No.:** **US D854,091 S**  
(45) **Date of Patent:** **\*\* Jul. 16, 2019**

- (54) **ELECTRIC BALANCE VEHICLE**
- (71) Applicant: **HANGZHOU CHIC INTELLIGENT TECHNOLOGY CO., LTD.**, Hangzhou (CN)
- (72) Inventors: **Jiawei Ying**, Hangzhou (CN); **Keping Xiao**, Hangzhou (CN)
- (73) Assignee: **HANGZHOU CHIC INTELLIGENT TECHNOLOGY CO., LTD.**, Hangzhou (CN)

9,688,340	B1	*	6/2017	Kroymann	.....	B62K 13/04
D796,613	S	*	9/2017	Schapiro	.....	D21/760
D805,429	S	*	12/2017	Cao	.....	D12/1
D808,856	S	*	1/2018	Zhang	.....	D12/1
D808,857	S	*	1/2018	Zhang	.....	D12/1
D808,859	S	*	1/2018	Wang	.....	D12/1
D810,618	S	*	2/2018	Li	.....	D12/1
D812,521	S	*	3/2018	Yao	.....	D12/1
D817,811	S	*	5/2018	Wang	.....	D12/1
2016/0332062	A1	*	11/2016	Wu	.....	A63C 17/12
2017/0088211	A1	*	3/2017	Jiang	.....	B62K 11/007

\* cited by examiner

(\*\*) Term: **15 Years**

*Primary Examiner* — Garth Rademaker

*Assistant Examiner* — Melvin L Davis

(21) Appl. No.: **29/603,770**

(22) Filed: **May 12, 2017**

(30) **Foreign Application Priority Data**

Apr. 27, 2017 (CN) ..... 2017 3 0147334  
 Apr. 27, 2017 (CN) ..... 2017 3 0147422

(51) **LOC (11) Cl.** ..... **12-13**

(52) **U.S. Cl.**  
USPC ..... **D21/1; D21/763**

(58) **Field of Classification Search**  
 USPC ..... D12/1; D21/419, 421, 423, 760, 763, D21/765, 771  
 CPC ..... B62K 3/007; B62K 11/00; B62K 17/00; B62K 2202/00; B62D 51/02; B62D 51/001; A63C 2203/011; A63C 17/12; A63C 17/01; A63C 2017/1463  
 See application file for complete search history.

(56) **References Cited**

**U.S. PATENT DOCUMENTS**

D778,782 S \* 2/2017 Chen ..... D12/1  
 D786,130 S \* 5/2017 Huang ..... D12/1

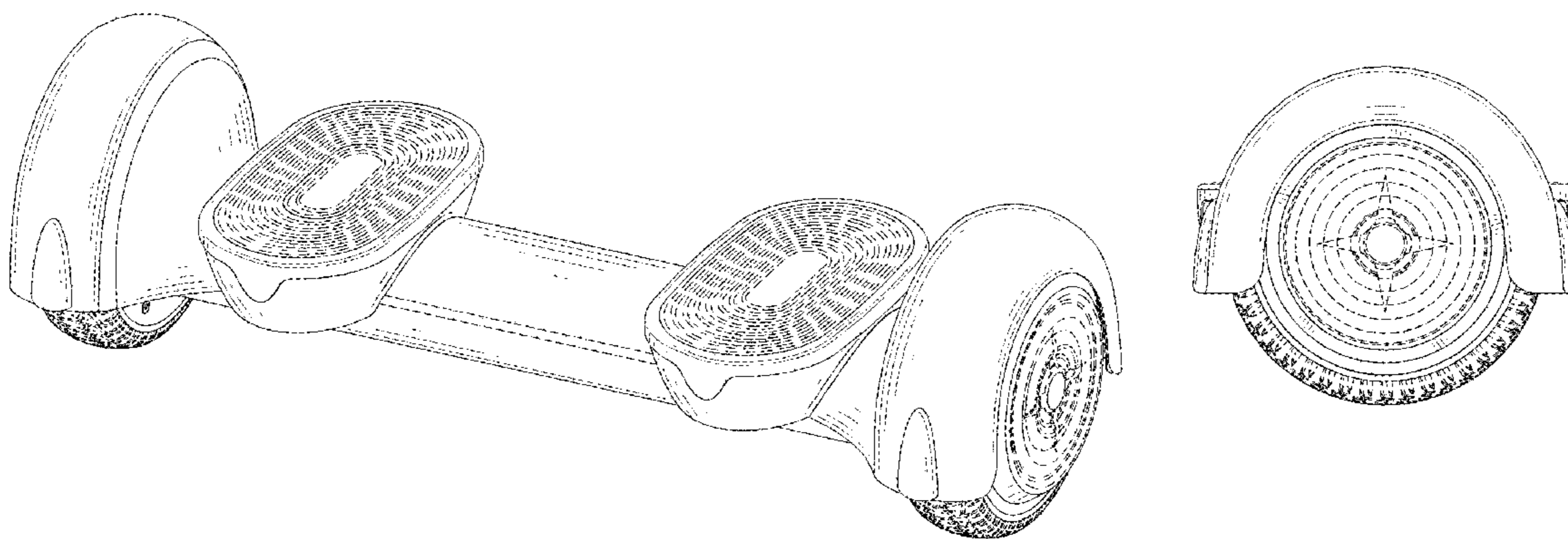
(57) **CLAIM**

The ornamental design for an electric balance vehicle, as shown and described.

**DESCRIPTION**

FIG. 1 is a perspective view of an electric balance vehicle, showing our new design;  
 FIG. 2 is a front view thereof;  
 FIG. 3 is a rear view thereof;  
 FIG. 4 is a left side view thereof;  
 FIG. 5 is a right side view thereof;  
 FIG. 6 is a top plan view thereof; and,  
 FIG. 7 is a bottom plan view thereof.  
 The broken lines shown are included for the purpose of illustrating portions of the electric balance vehicle which form no part of the claimed design.

**1 Claim, 7 Drawing Sheets**



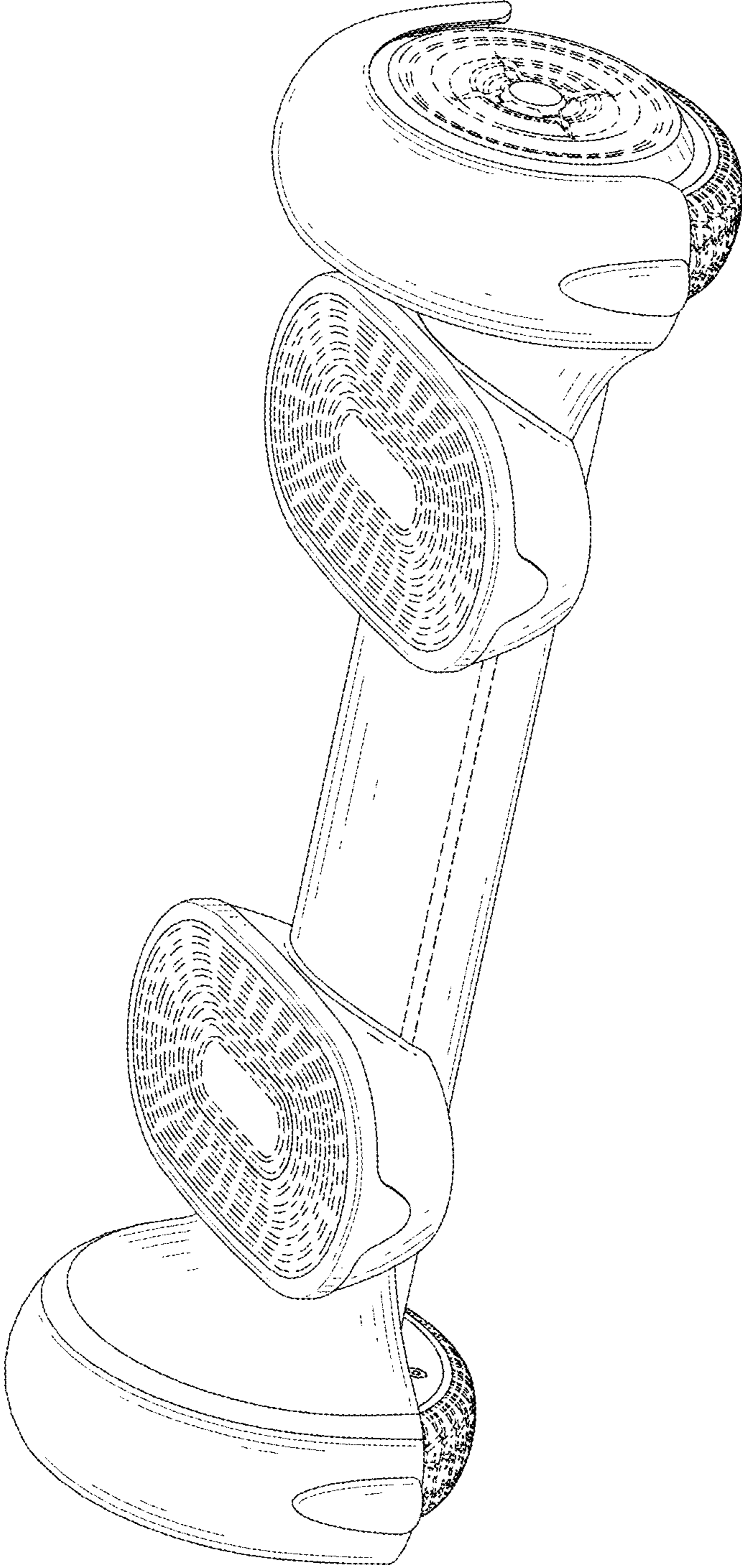


FIG. 1

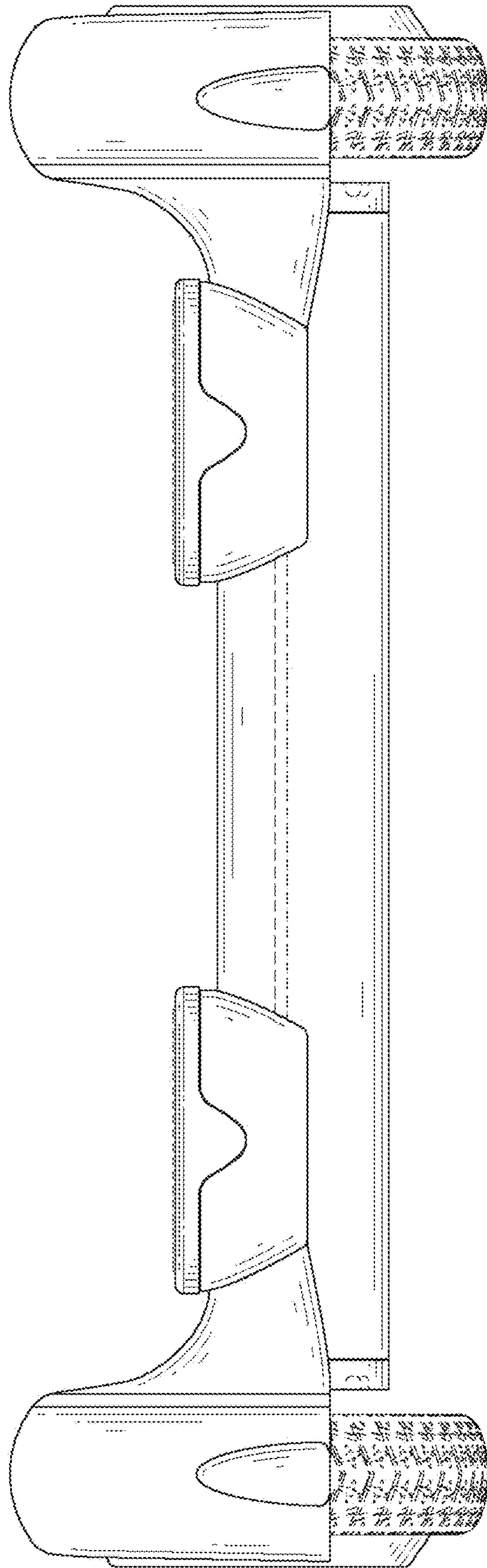


FIG. 2



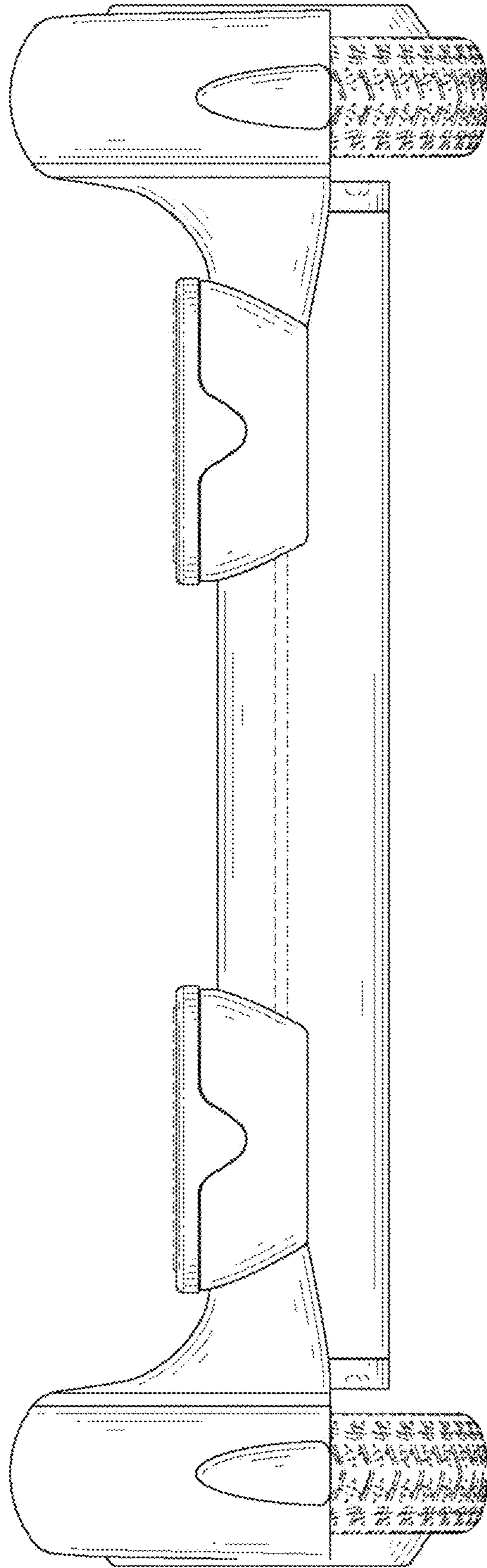


FIG. 3

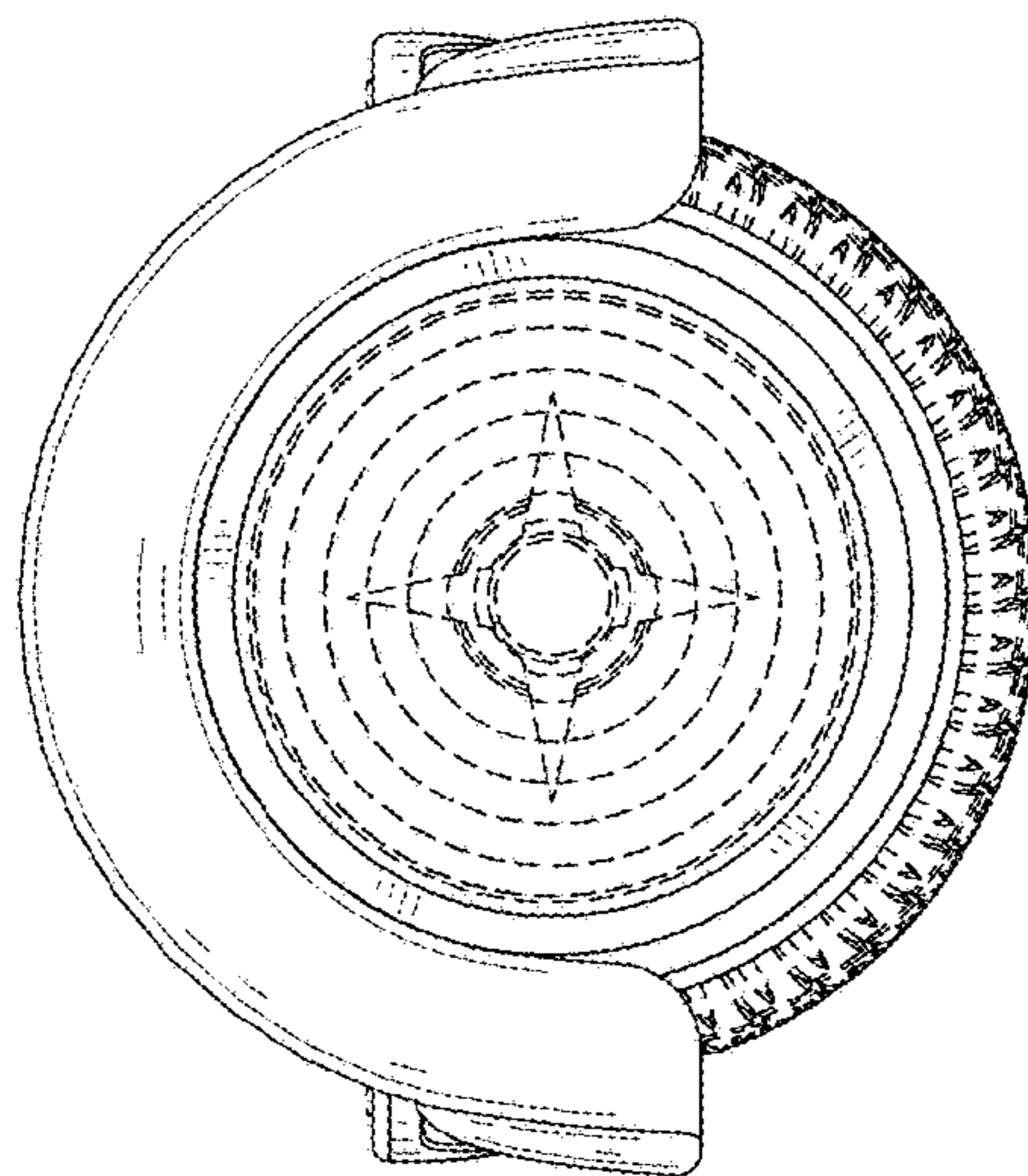


FIG. 4

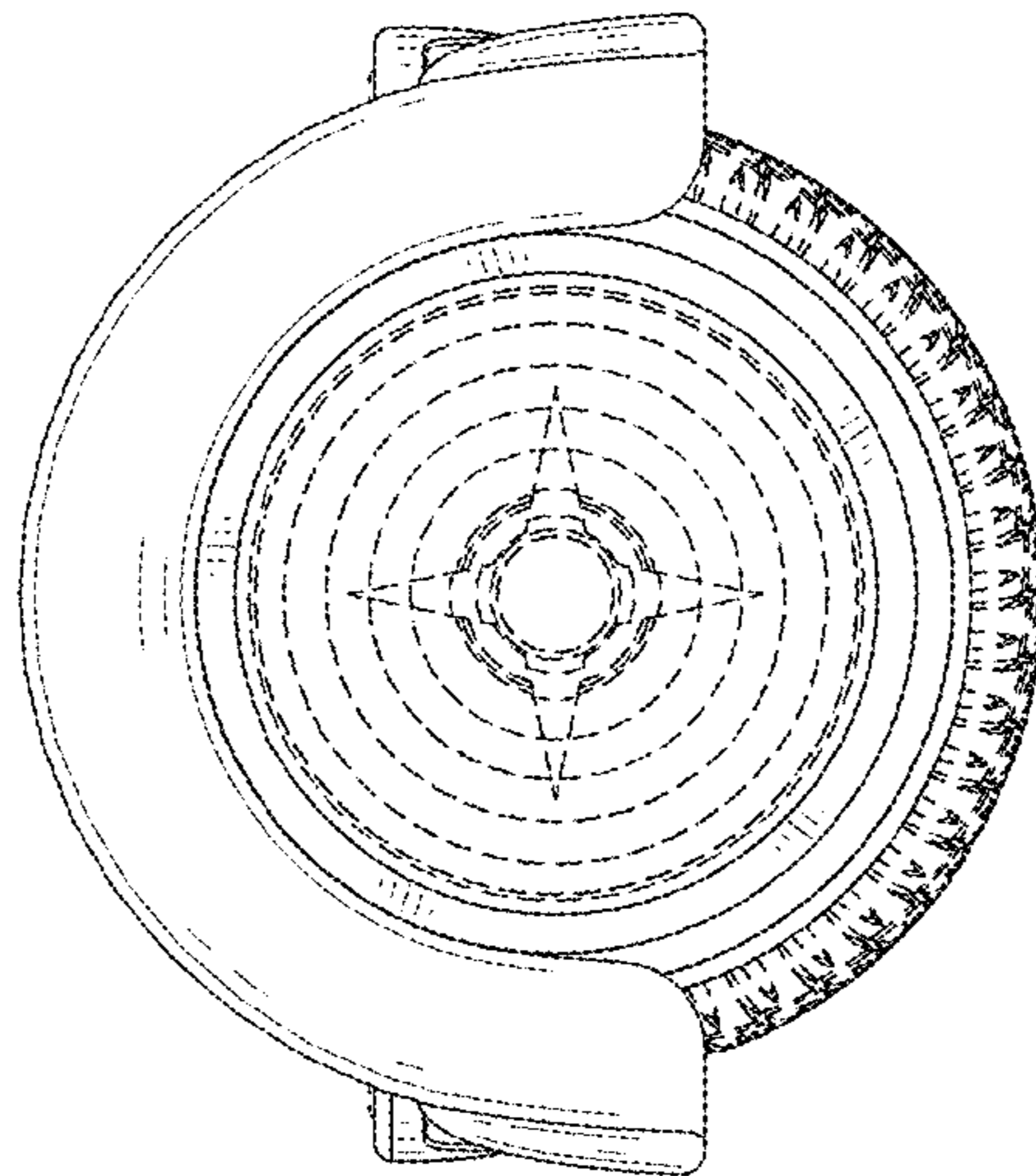


FIG. 5

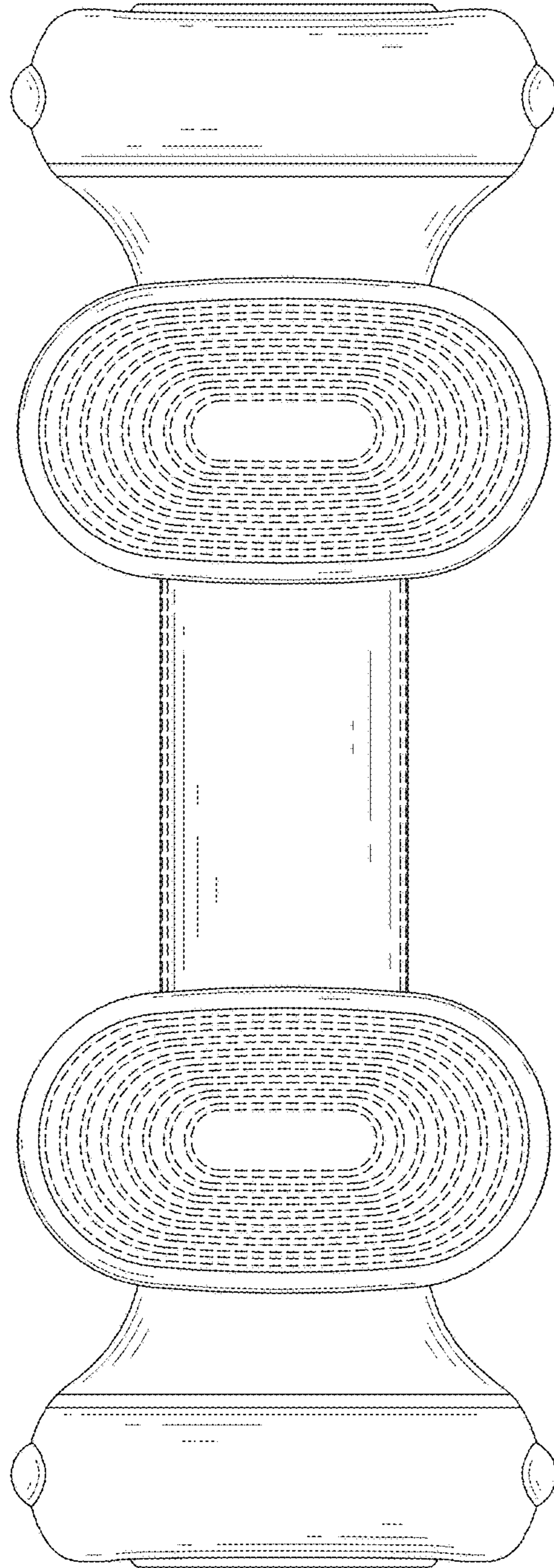


FIG. 6

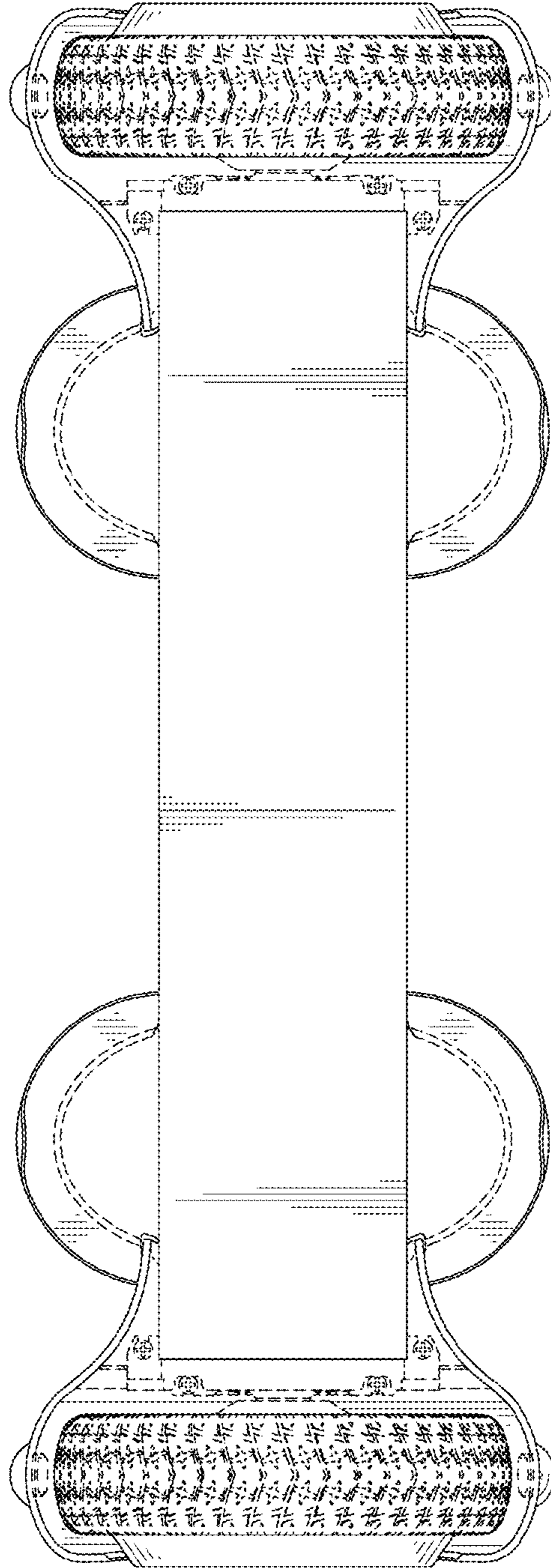


FIG. 7