



US00D854088S

(12) **United States Design Patent**
Stitcher

(10) **Patent No.:** **US D854,088 S**
(45) **Date of Patent:** **** Jul. 16, 2019**

(54) **OUTDOOR SIGN SUPPORT**
(71) Applicant: **ROB STITCHER**, Luton (GB)
(72) Inventor: **Robert Stitcher**, Luton (GB)
(**) Term: **15 Years**
(21) Appl. No.: **35/501,665**
(22) Filed: **Jun. 3, 2016**

4,015,349 A * 4/1977 Dunne G09F 11/10
219/219
5,008,967 A * 4/1991 Barrios E01F 9/696
14/7
6,892,502 B1 * 5/2005 Hubbell E04C 3/08
40/584
7,082,707 B2 * 8/2006 Poot G09F 19/22
40/606.01
D579,240 S * 10/2008 Magnusson D6/711
D596,316 S * 7/2009 Bateman D25/61
9,121,170 B2 * 9/2015 Lopez E04C 5/065
2004/0128891 A1 * 7/2004 Keach G09F 15/00
40/624
2004/0144055 A1 * 7/2004 Lewison E04C 3/02
52/633

(80) **Hague Agreement Data**

Int. Filing Date: **Jun. 3, 2016**
Int. Reg. No.: **DM/092636**
Int. Reg. Date: **Jun. 3, 2016**
Int. Reg. Pub. Date: **Oct. 7, 2016**

* cited by examiner

Primary Examiner — Mary Ann Calabrese

(51) **LOC (11) Cl.** **20-03**

(52) **U.S. Cl.**
USPC **D20/10**

(58) **Field of Classification Search**
USPC D20/10, 19, 39-43, 99; D10/109.1,
D10/113.4; D25/61
CPC G09F 7/00; G09F 2007/1843; G09F 11/10;
G09F 15/00; G09F 15/0012; G09F 13/00;
G09F 13/04; G09F 13/0404; G09F
13/0413; G09F 13/18; G09F 2013/0445;
G09F 2013/049; G09F 2013/184; G09F
2013/1881; G09F 19/22; G09F 19/228;
E01F 9/00; E01F 9/696; E04B 2/62;
E04C 3/02; E04C 3/08

See application file for complete search history.

(56) **References Cited**

U.S. PATENT DOCUMENTS

3,562,994 A * 2/1971 von Linsowe E04C 3/08
239/732
3,564,783 A * 2/1971 Dunne E04C 3/08
248/219.1

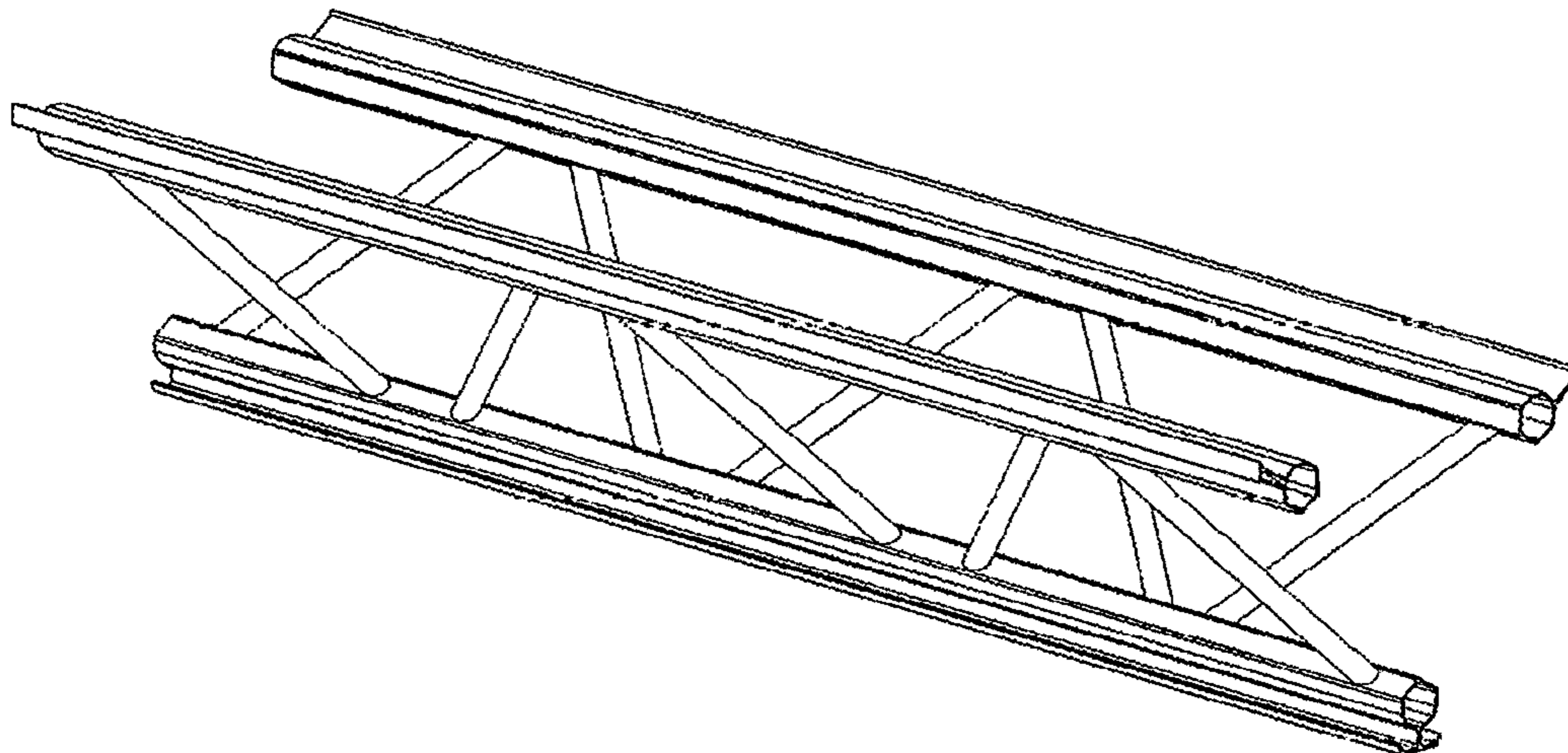
(57) **CLAIM**

The ornamental design for outdoor sign support, as shown and described.

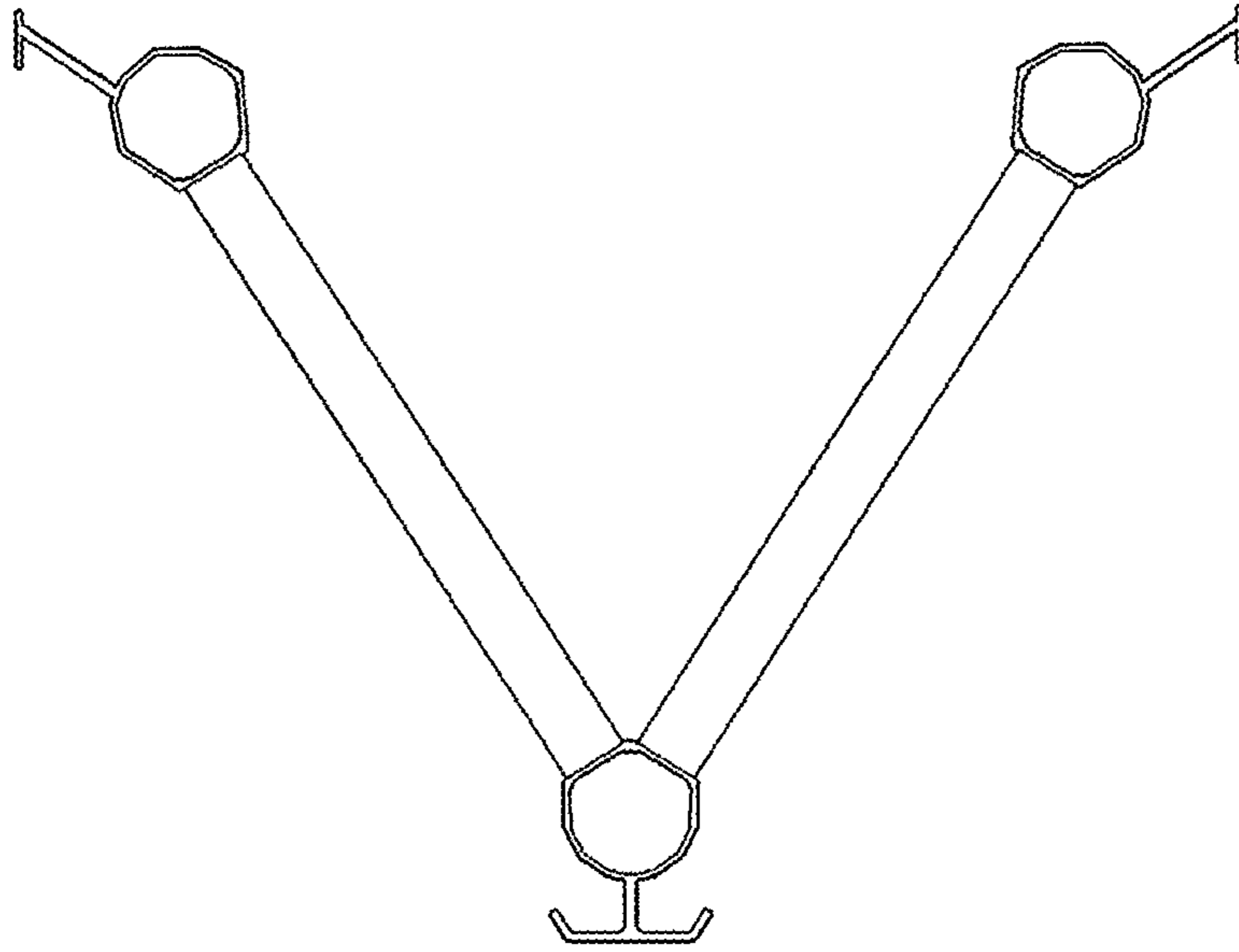
DESCRIPTION

- 1. Outdoor sign support
- 1.1 : Back
- 1.2 : Front
- 1.3 : Left
- 1.4 : Perspective
- 1.5 : Right
- 1.6 : Top

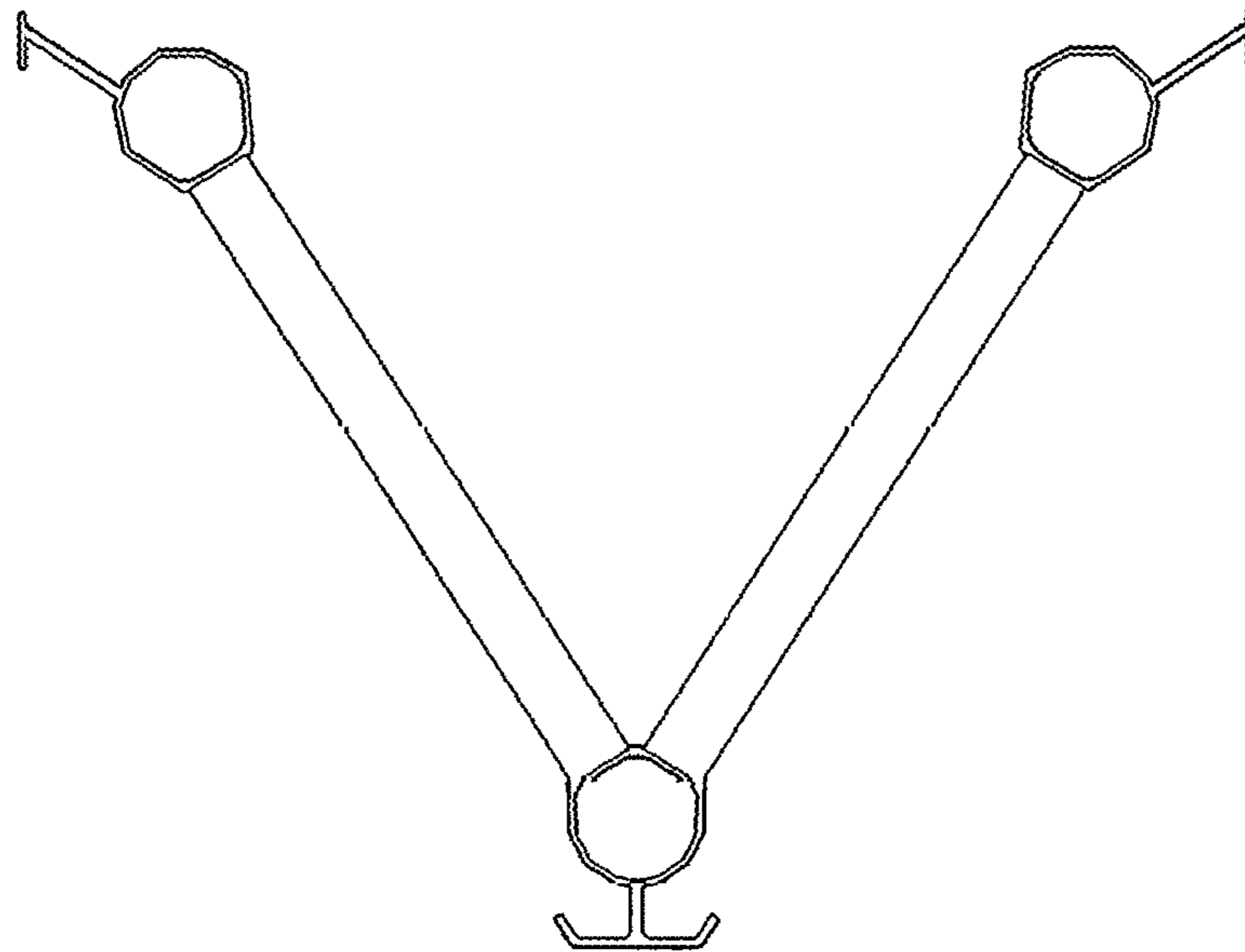
1 Claim, 3 Drawing Sheets



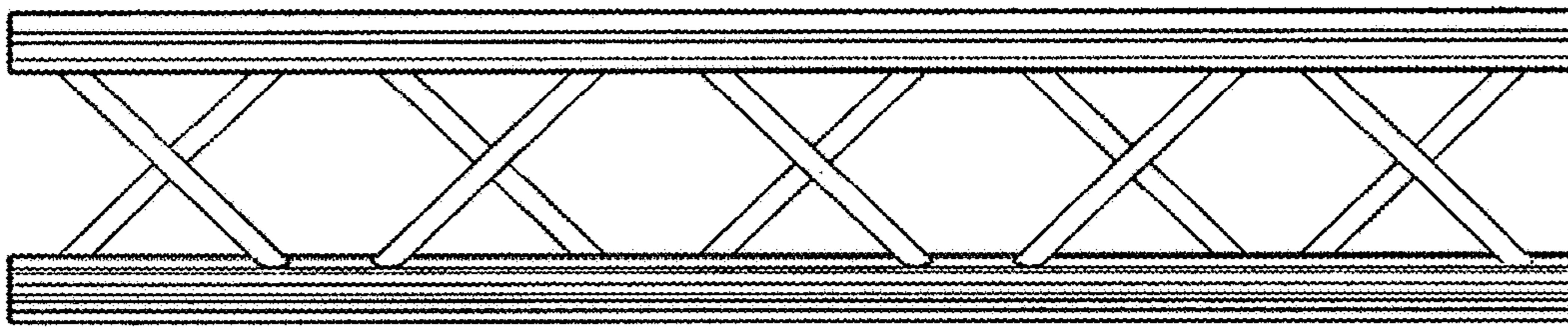
1.1



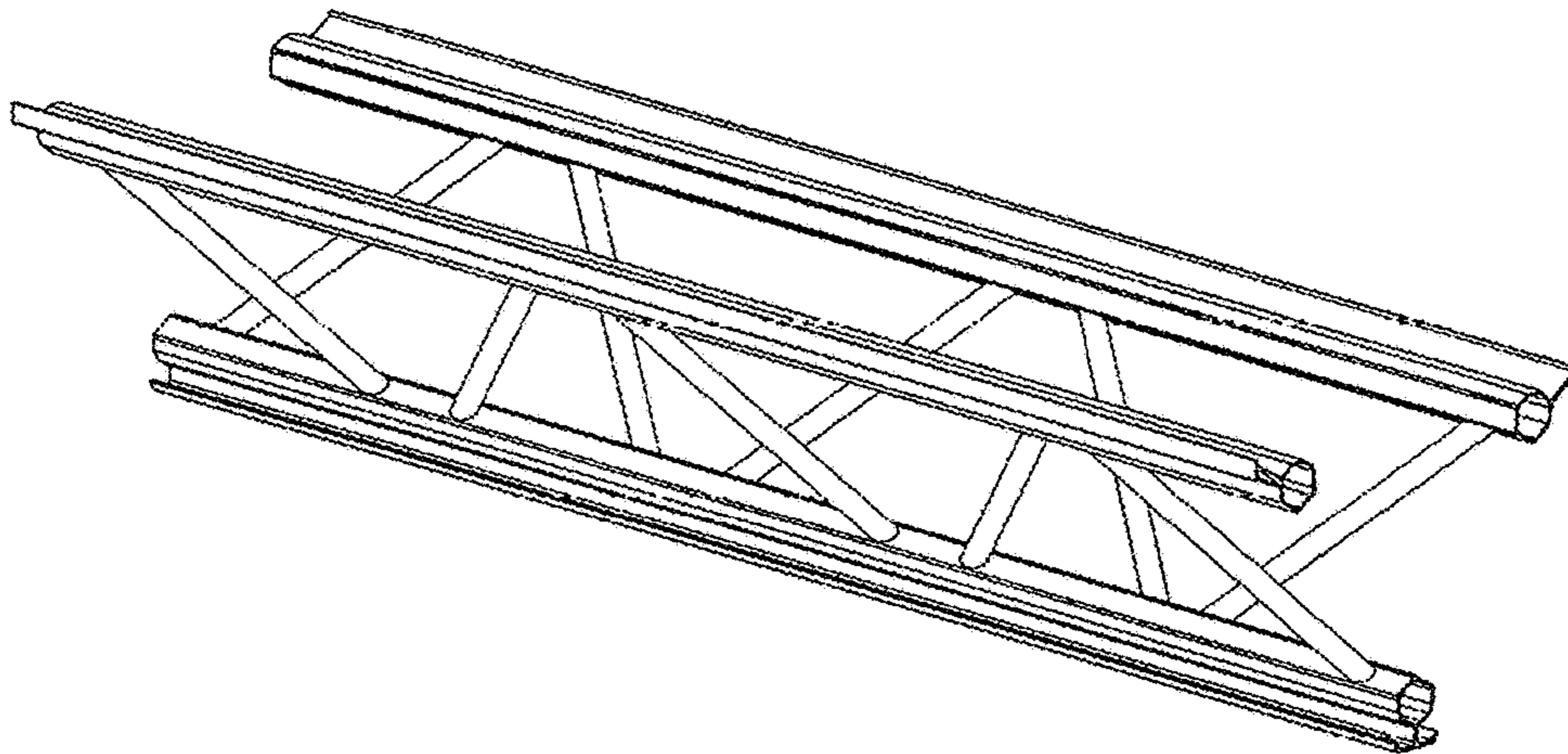
1.2



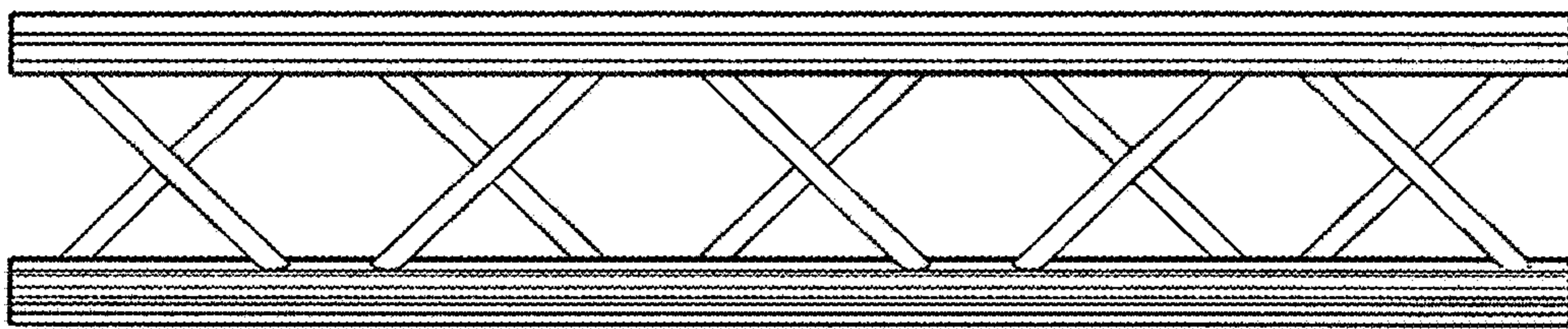
1.3



1.4



1.5



1.6

