



US00D854085S

(12) **United States Design Patent**
Tani

(10) **Patent No.:** **US D854,085 S**

(45) **Date of Patent:** **** Jul. 16, 2019**

(54) **PENCIL SHARPENER**

Primary Examiner — Khawaja Anwar

(74) *Attorney, Agent, or Firm* — Leydig, Voit & Mayer

(71) Applicant: **TOKIWA CORPORATION**, Gifu (JP)

(72) Inventor: **Yoshikazu Tani**, Kawaguchi (JP)

(57) **CLAIM**

The ornamental design for a pencil sharpener, as shown and described.

(73) Assignee: **TOKIWA CORPORATION**,
Nakatsugawa-Shi, Gifu (JP)

(**) Term: **15 Years**

DESCRIPTION

(21) Appl. No.: **35/504,317**

1. Pencil sharpener

1.1 : Perspective

1.2 : Front

1.3 : Back

1.4 : Top

1.5 : Bottom

1.6 : Left

1.7 : Right

1.8 : Sectional view

1.9 : Perspective view of the main body

1.10 : Front view of the main body

1.11 : Back view of the main body

1.12 : Top view of the main body

1.13 : Bottom view of the main body

1.14 : Left view of the main body

1.15 : Right view of the main body

1.16 : Exploded

(22) Filed: **Jul. 14, 2017**

(80) **Hague Agreement Data**

Int. Filing Date: **Jul. 14, 2017**

Int. Reg. No.: **DM/097638**

Int. Reg. Date: **Jul. 14, 2017**

Int. Reg. Pub. Date: **Jan. 19, 2018**

(30) **Foreign Application Priority Data**

Feb. 1, 2017 (JP) 2017-001798

(51) **LOC (11) Cl.** **19-06**

(52) **U.S. Cl.**

USPC **D19/73**

(58) **Field of Classification Search**

USPC D19/72, 73, 75, 93; D34/1, 5, 7, 10, 11

CPC B43L 23/00; B43L 23/02; B43L 23/002;

B43L 23/08; B65F 1/00; B65F 1/0033

See application file for complete search history.

(56) **References Cited**

U.S. PATENT DOCUMENTS

D454,159 S * 3/2002 Tsuchikura D19/73

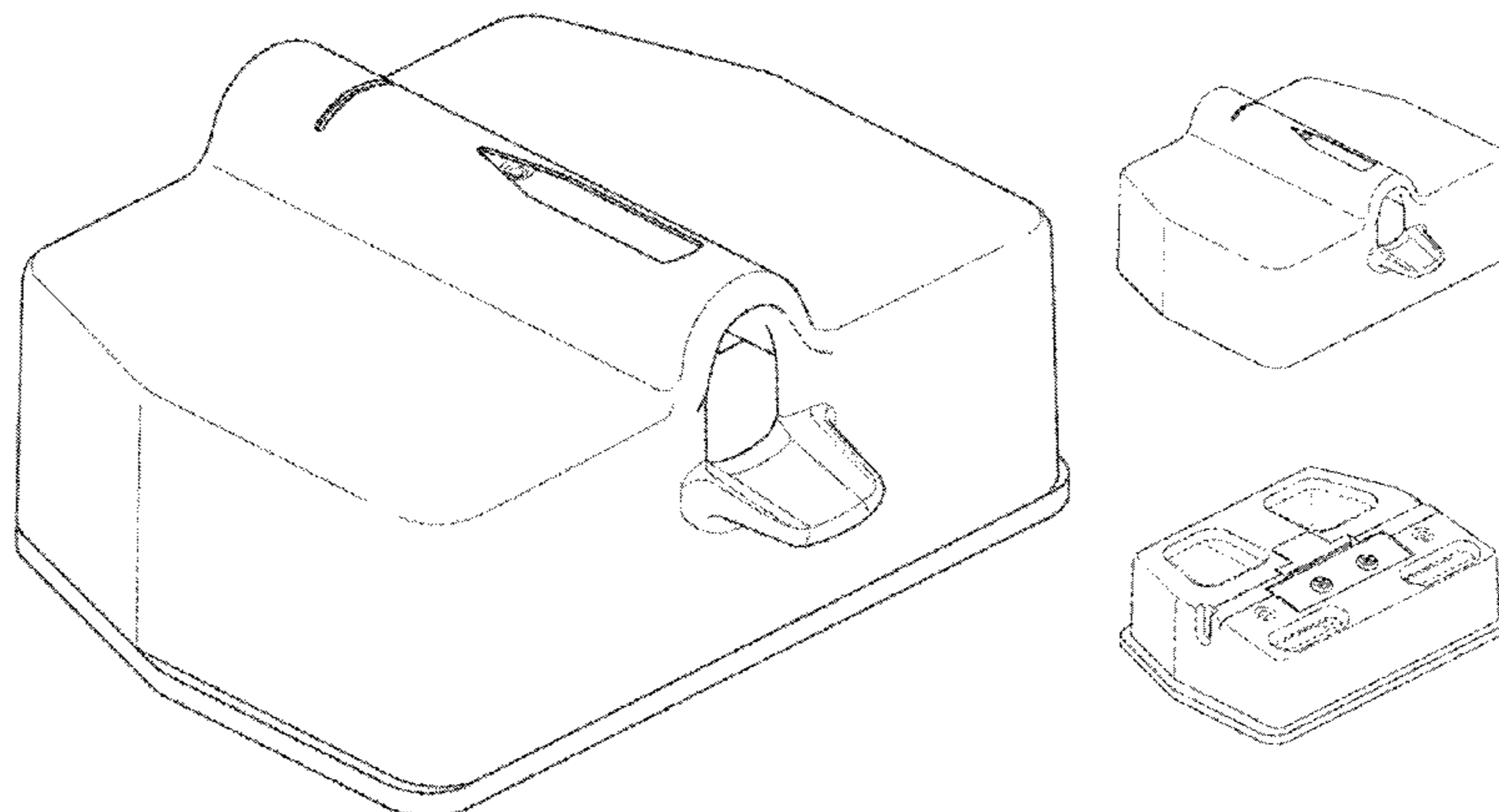
D614,698 S * 4/2010 Magid D19/73

D642,215 S * 7/2011 Racamier D19/73

(Continued)

The article is used for sharpening a cosmetic pencil such as an eyebrow pencil, a pencil-type eyeliner and pencil-type lip liner, and for sharpening a pencil used for designs; the cover is transparent; the parts shown in dotted lines do not form part of the claimed design; the broken lines having alternating long and short segments define bounds of the claimed design and form no part thereof; thin lines shown on the surface of the design in the front view, the top view, the right view, the left view, the perspective view, the sectional view numbered **1.8**, the front view of the main body, the top view of the main body, the right view of the main body, the left view of the main body and the perspective view of the main body illustrate the shape of a three-dimensional surface; the reproduction **1.8** is a cross-sectional view sectioned vertically at the position of approximately one-fifth from the left

(Continued)



end of the width in the front view numbered 1.2; the upper component shown in the exploded view numbered 1.16 is the cover.

1 Claim, 16 Drawing Sheets

(56)

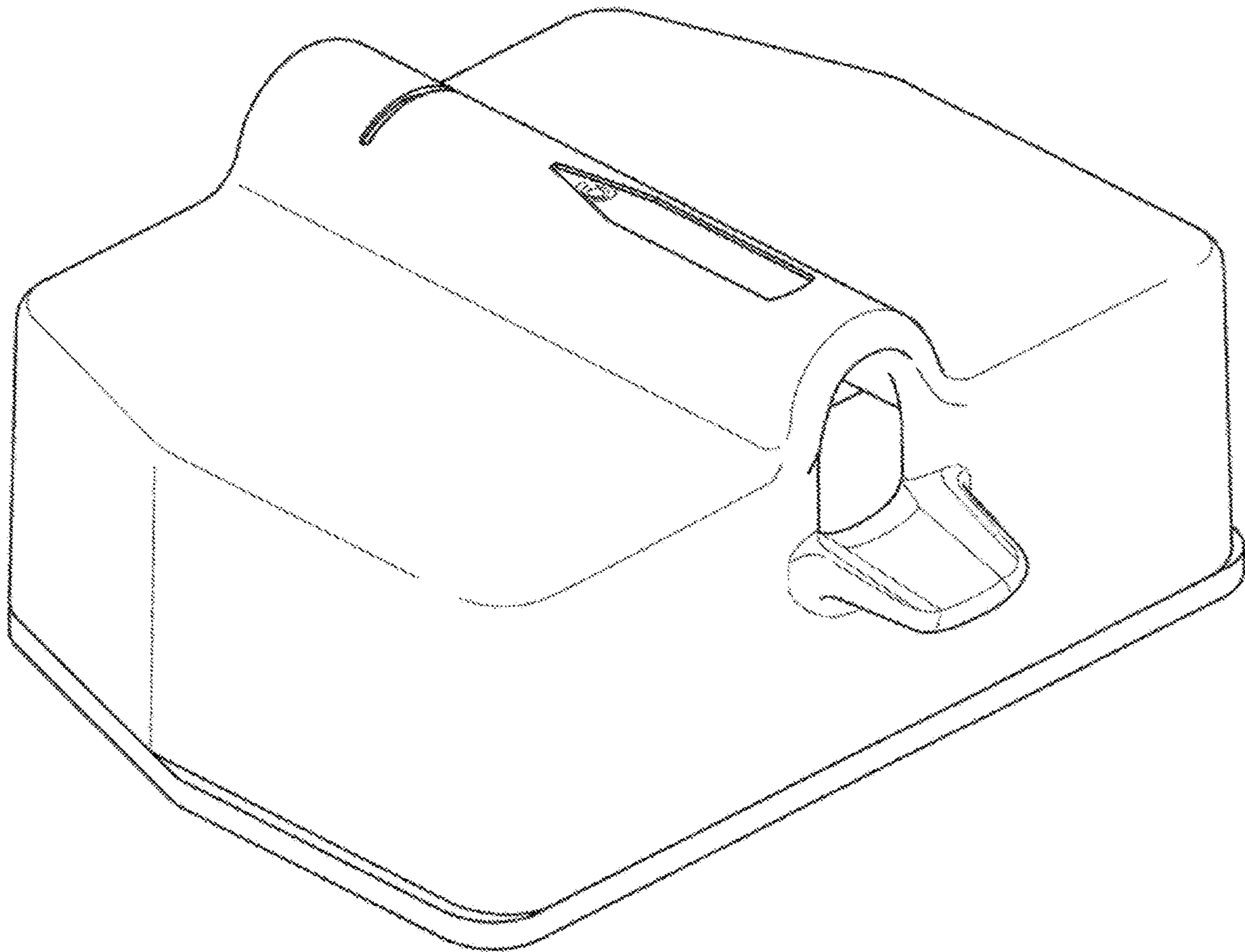
References Cited

U.S. PATENT DOCUMENTS

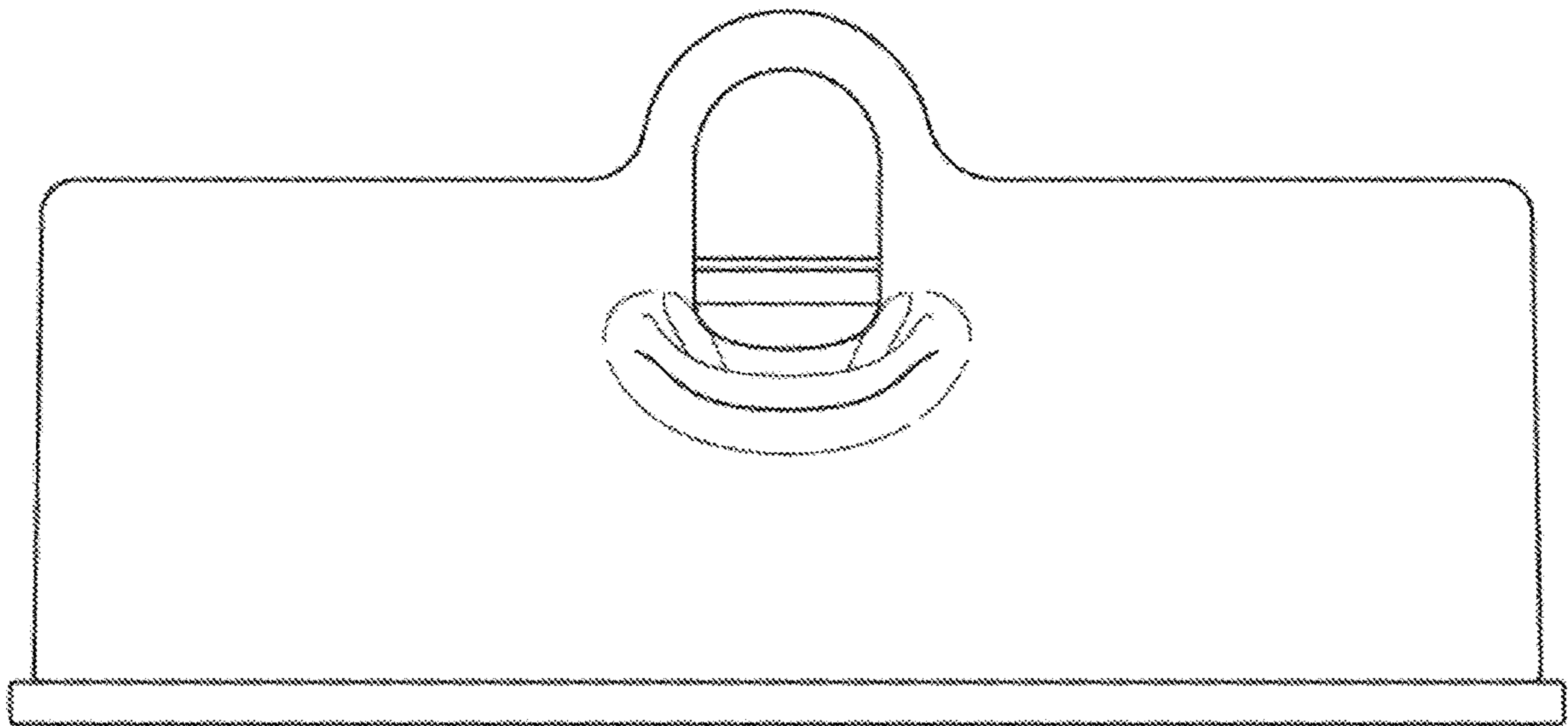
D645,514 S	*	9/2011	Sued	D19/73
D678,414 S	*	3/2013	Chen	D19/73
D690,895 S	*	10/2013	Knox, Jr.	D19/73

* cited by examiner

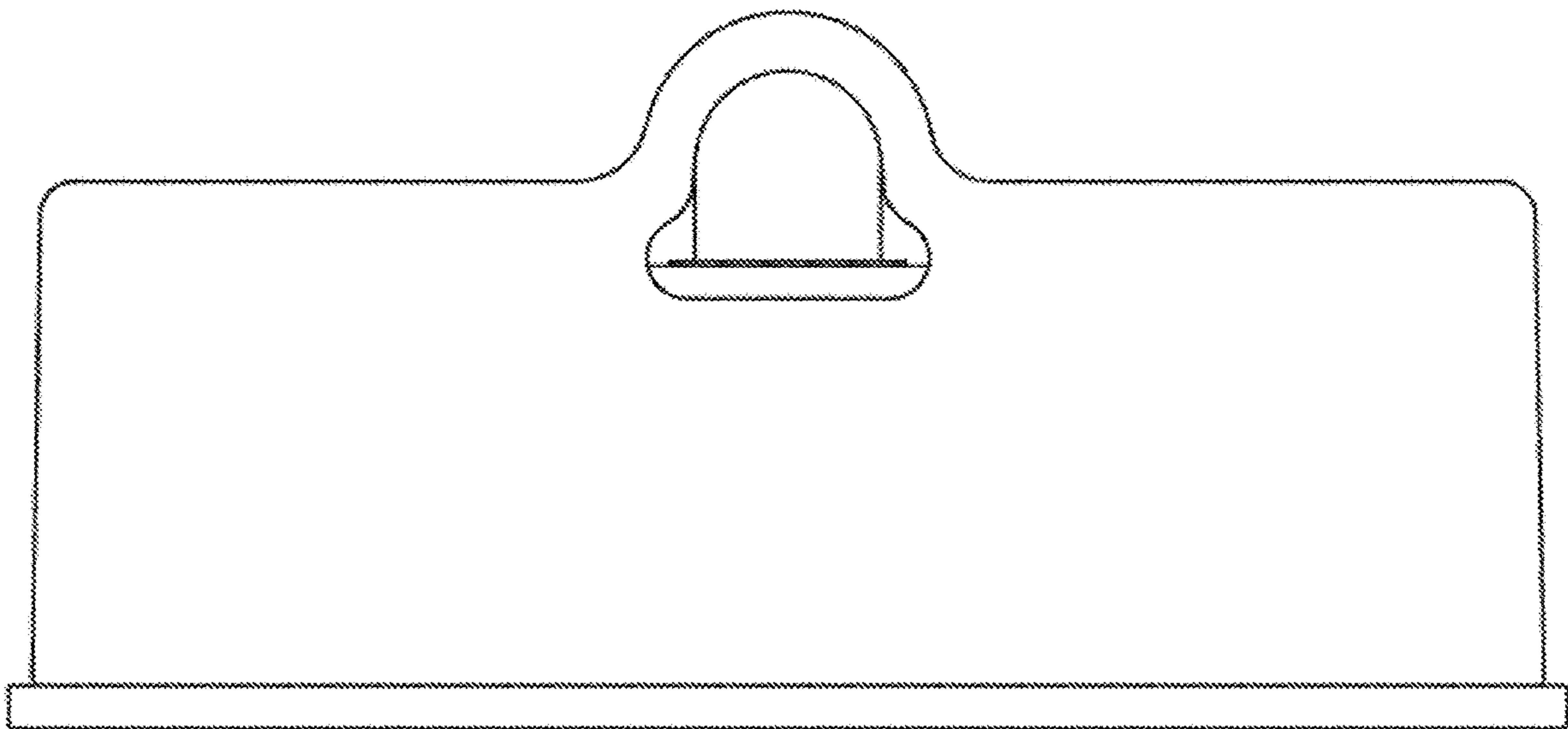
1.1



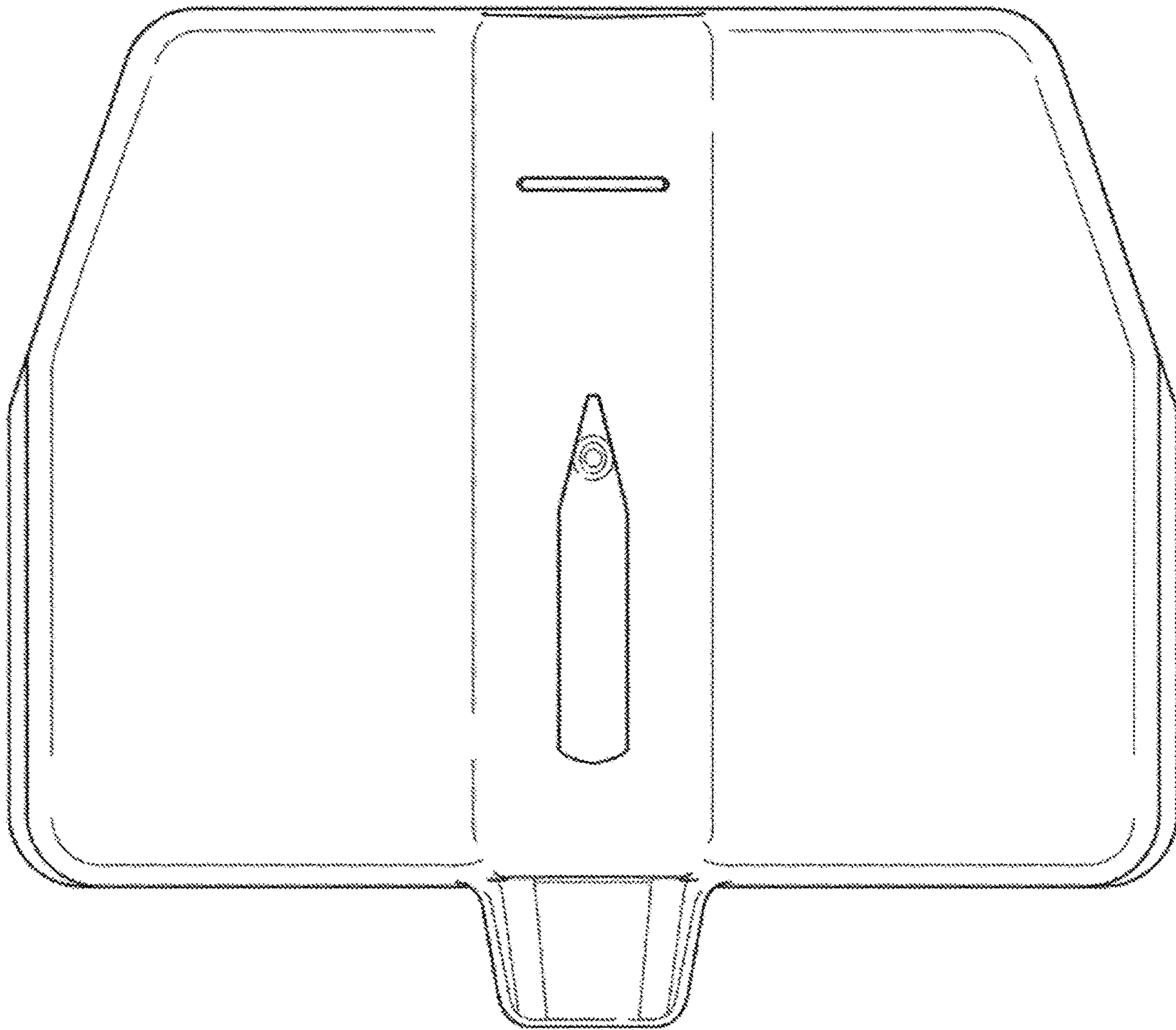
1.2



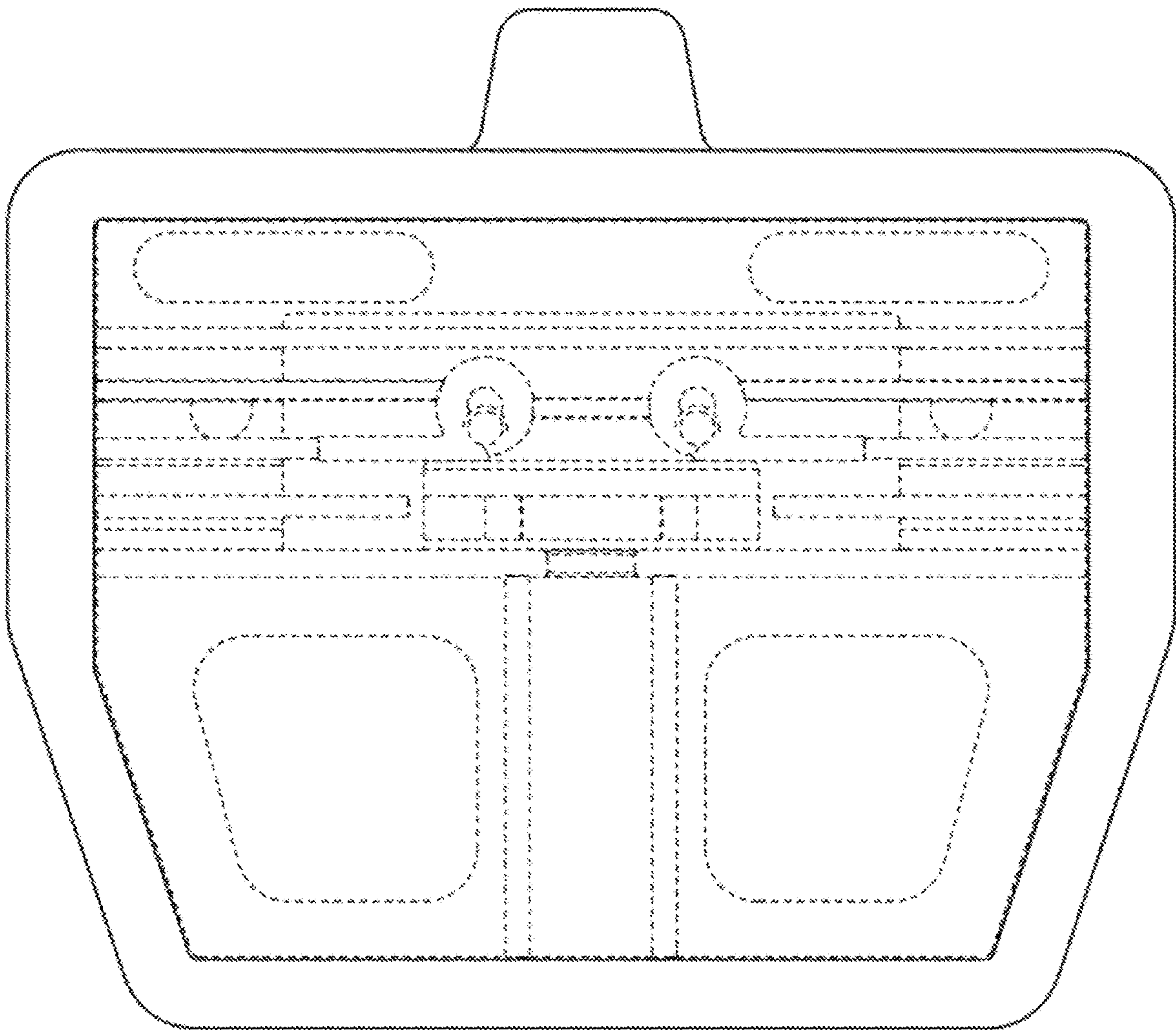
1.3



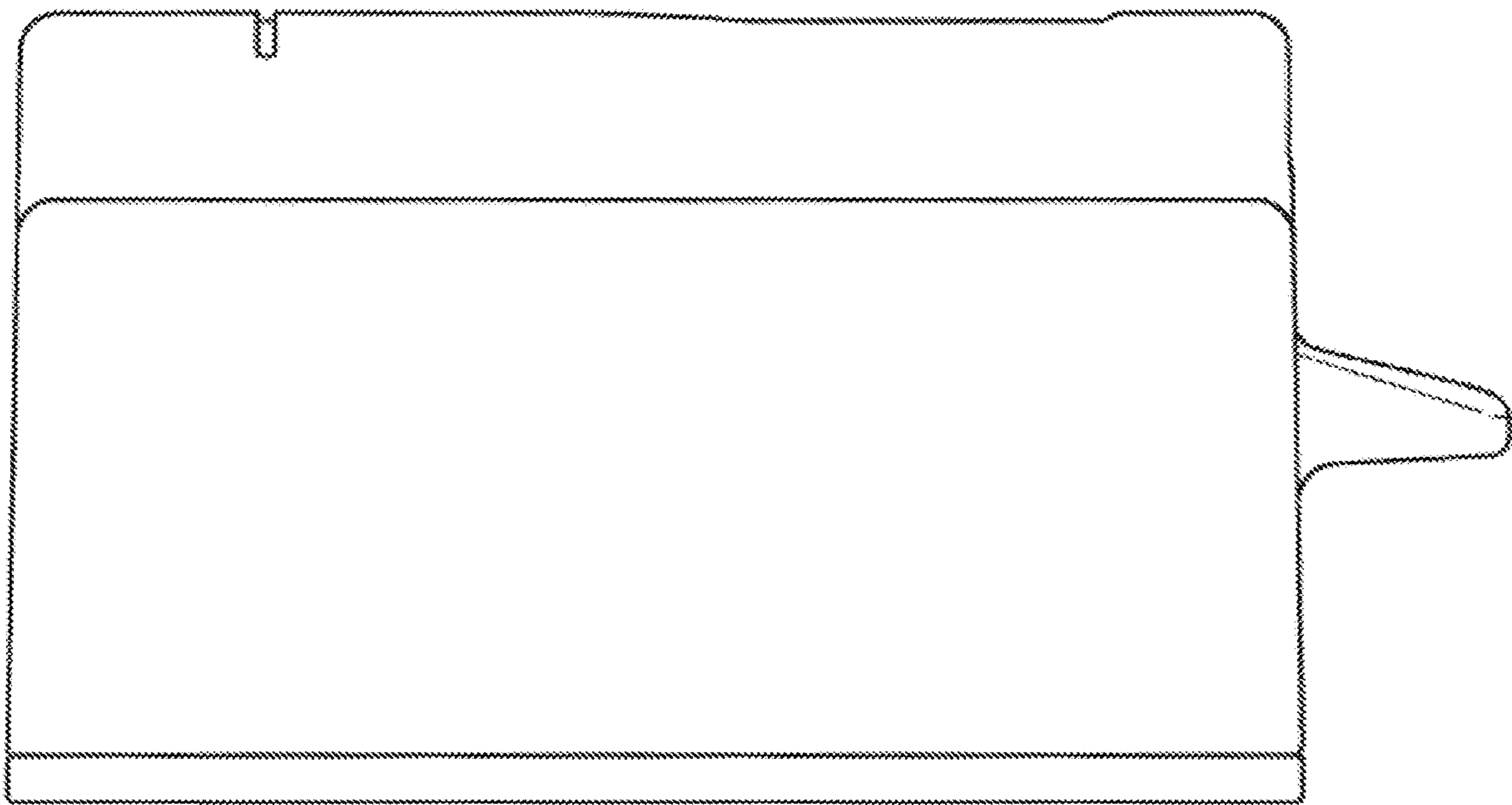
1.4



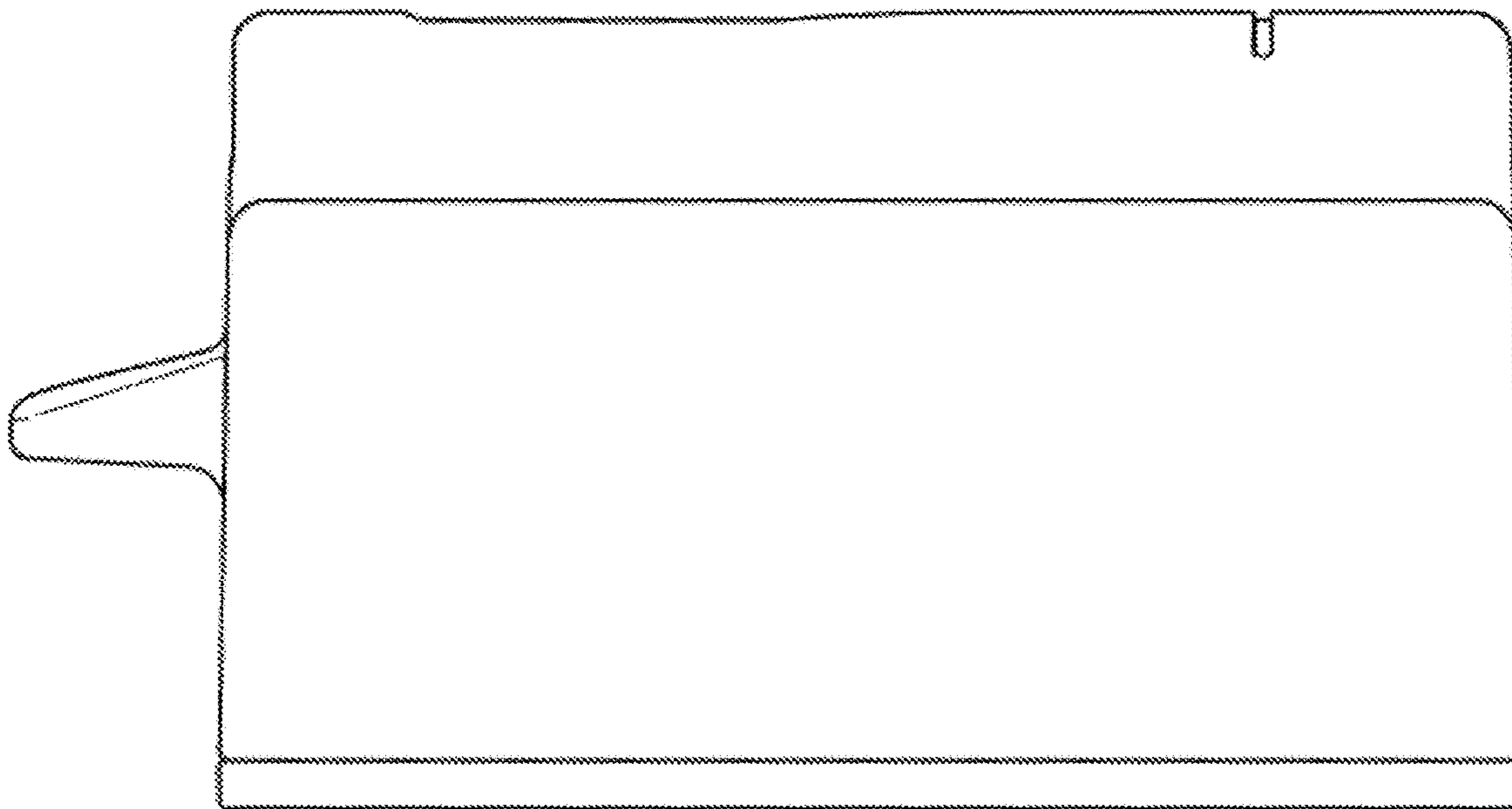
1.5



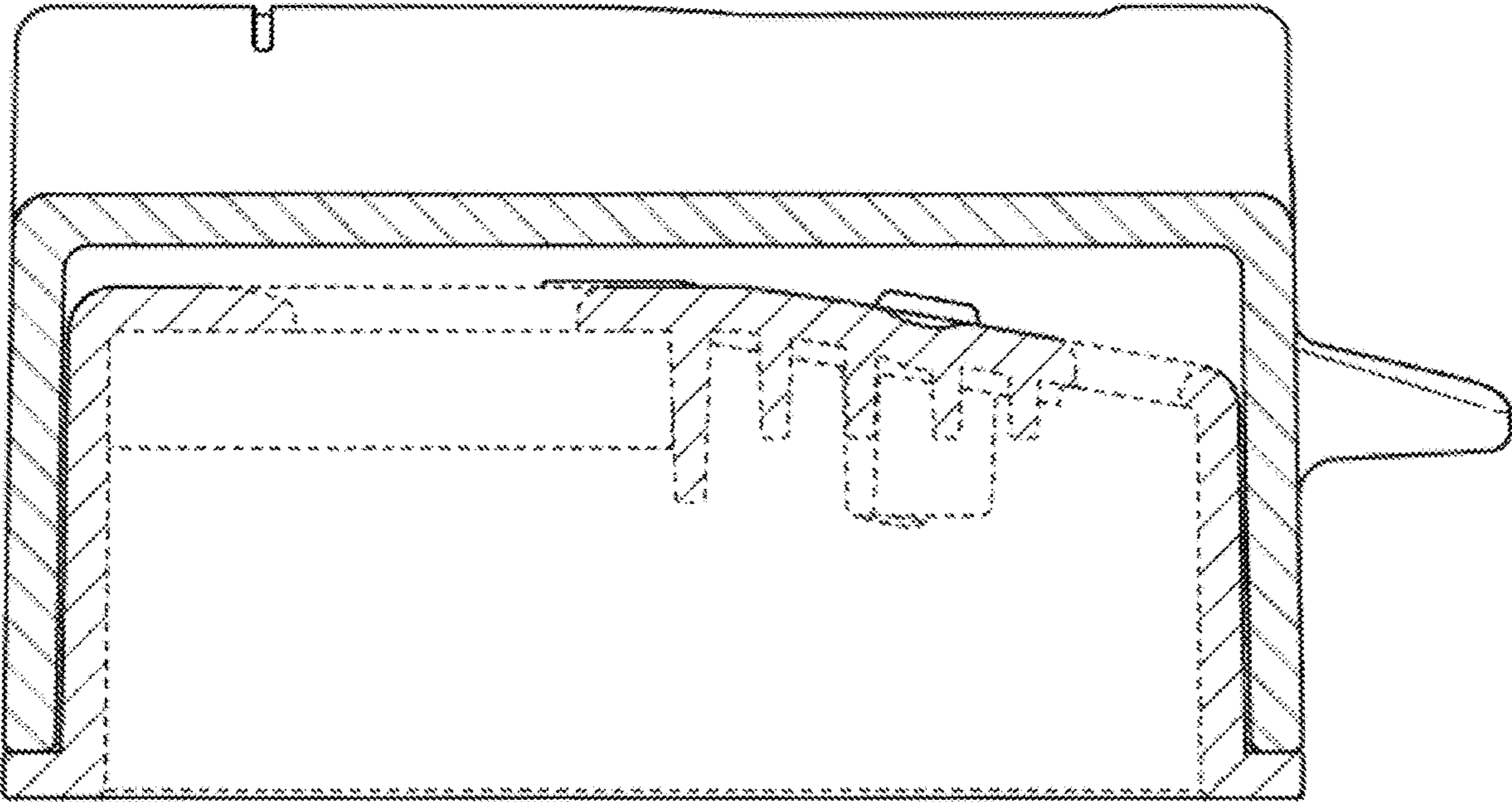
1.6



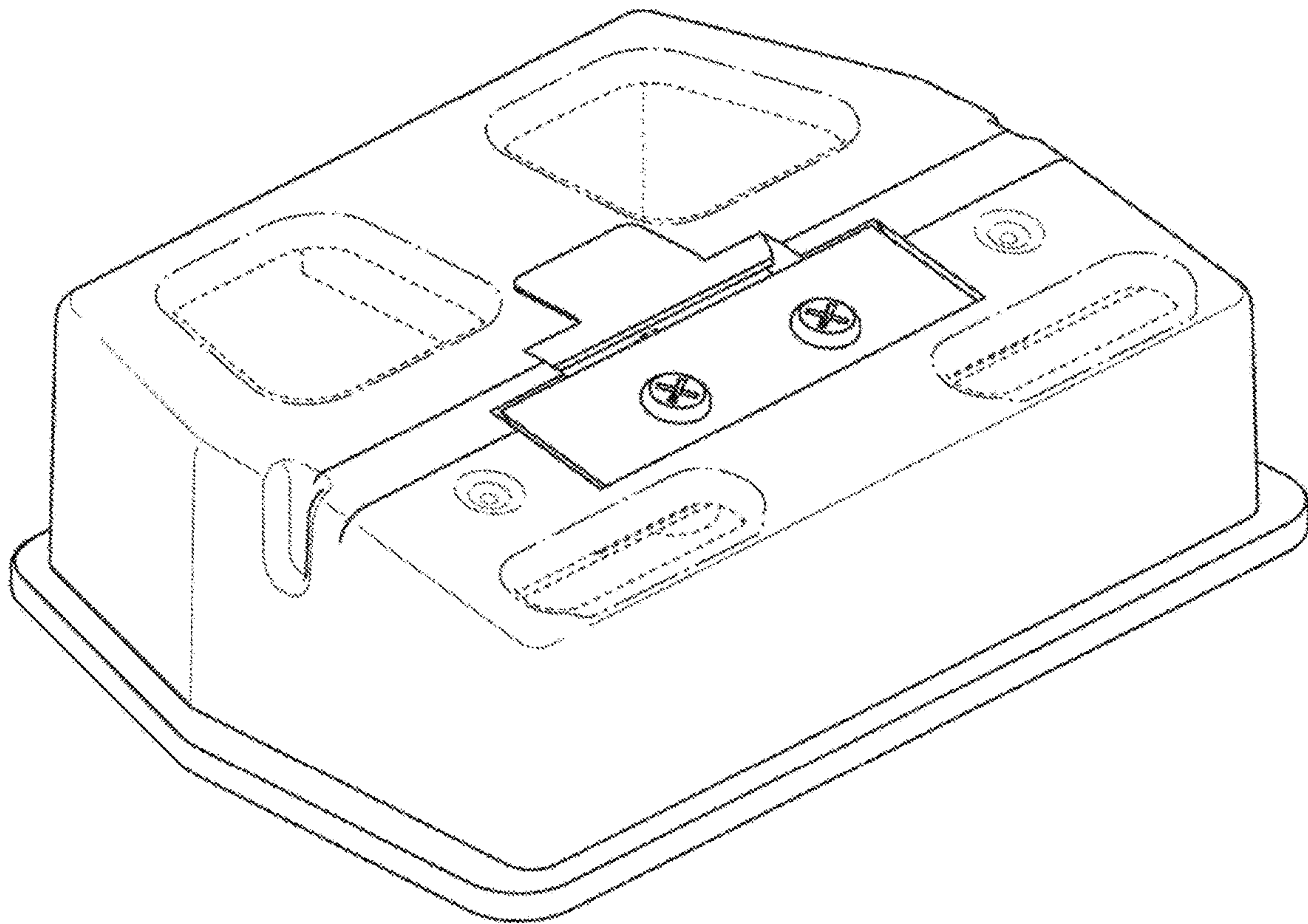
1.7



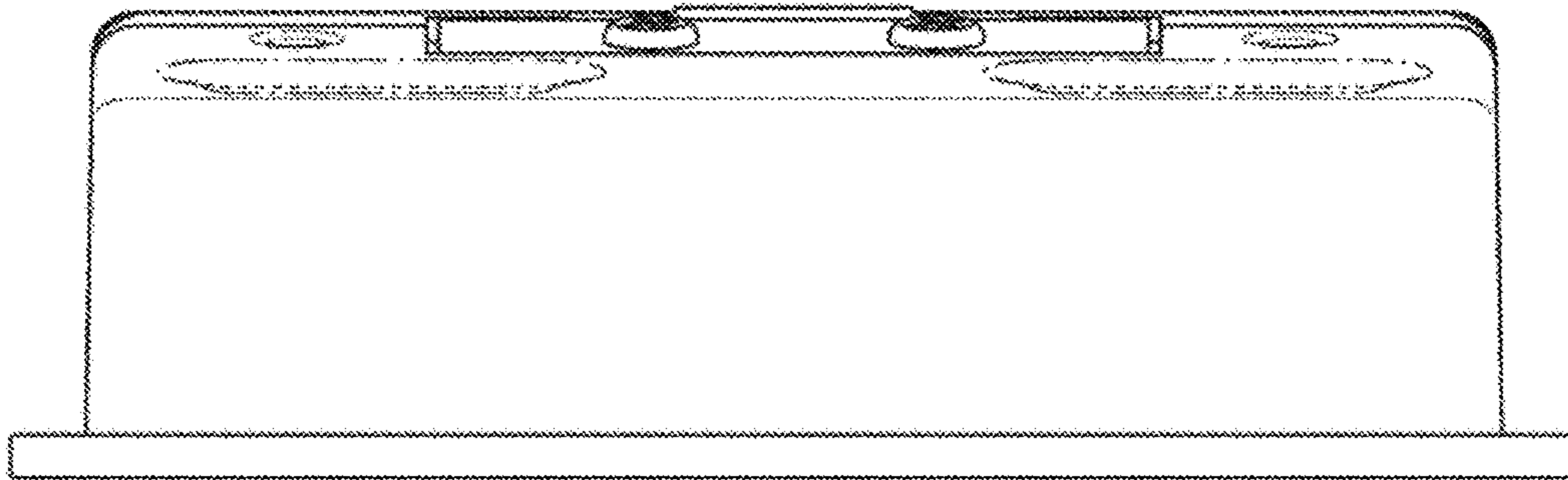
1.8



1.9



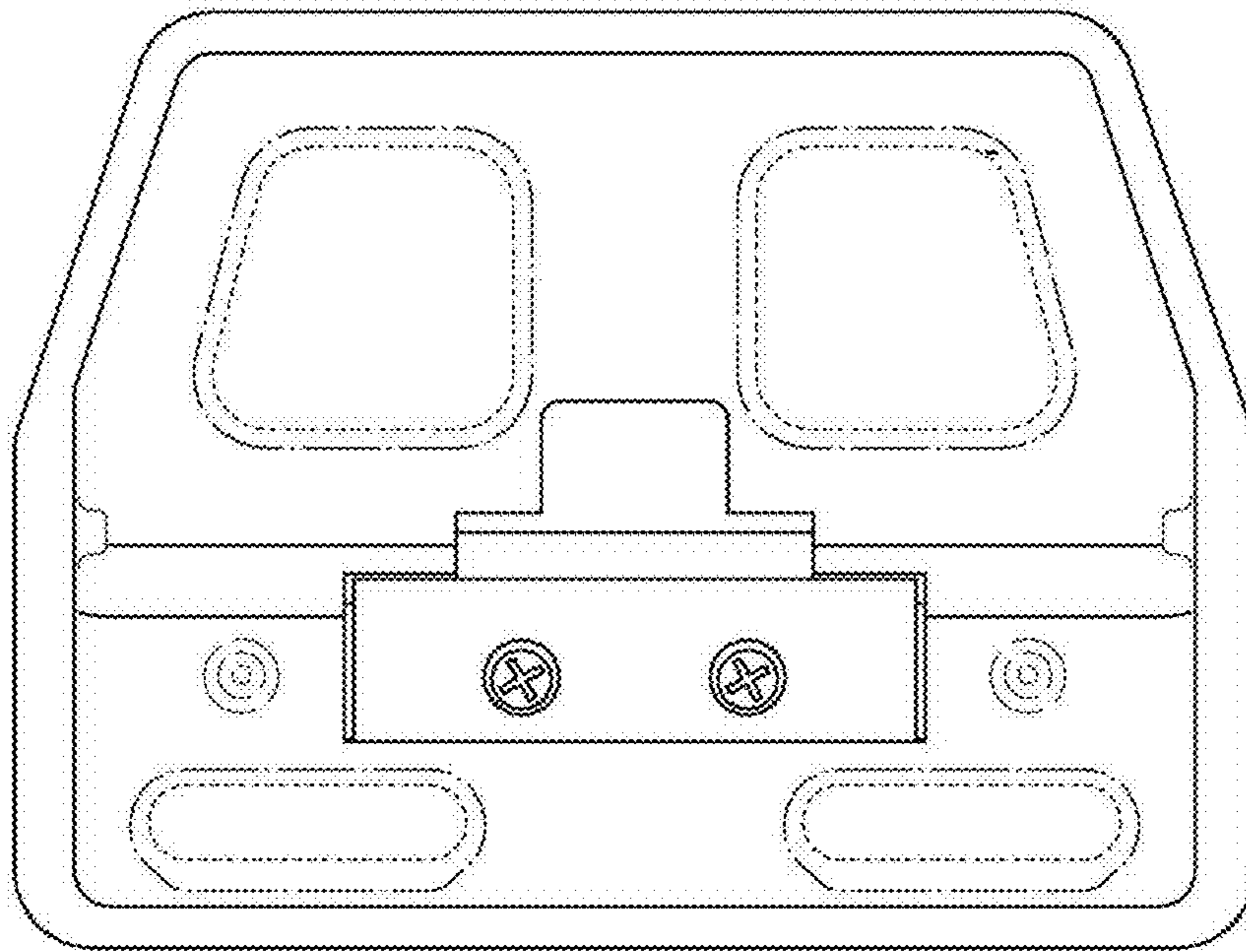
1.10



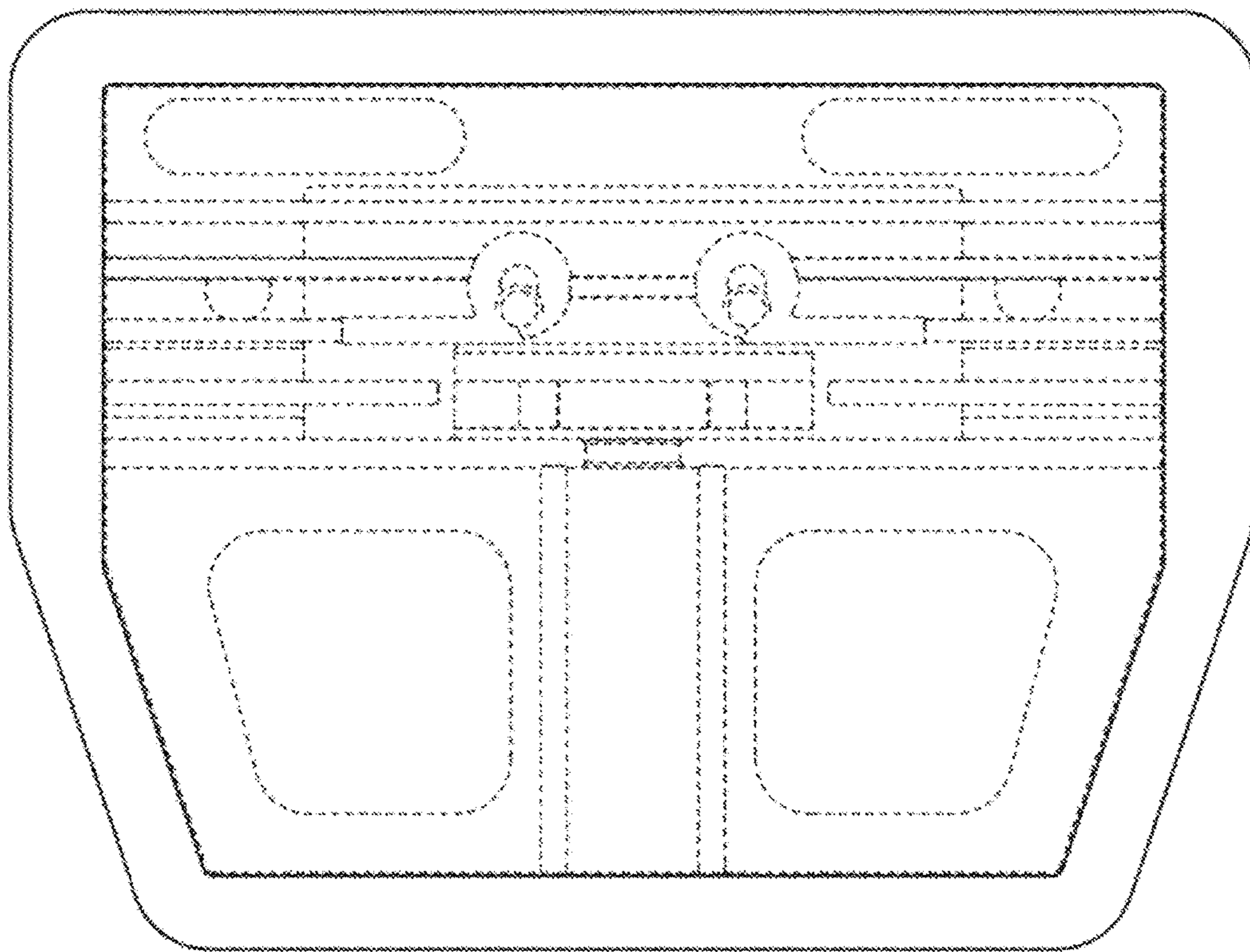
1.11



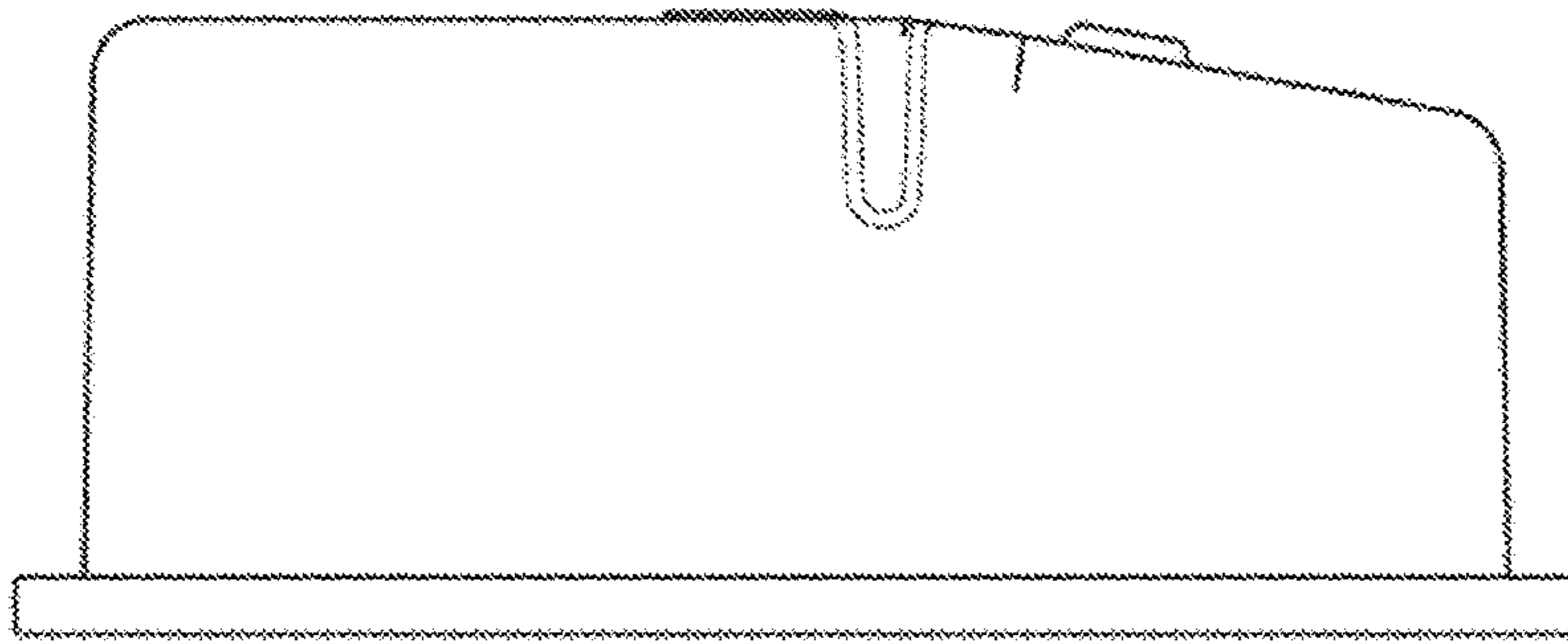
1.12



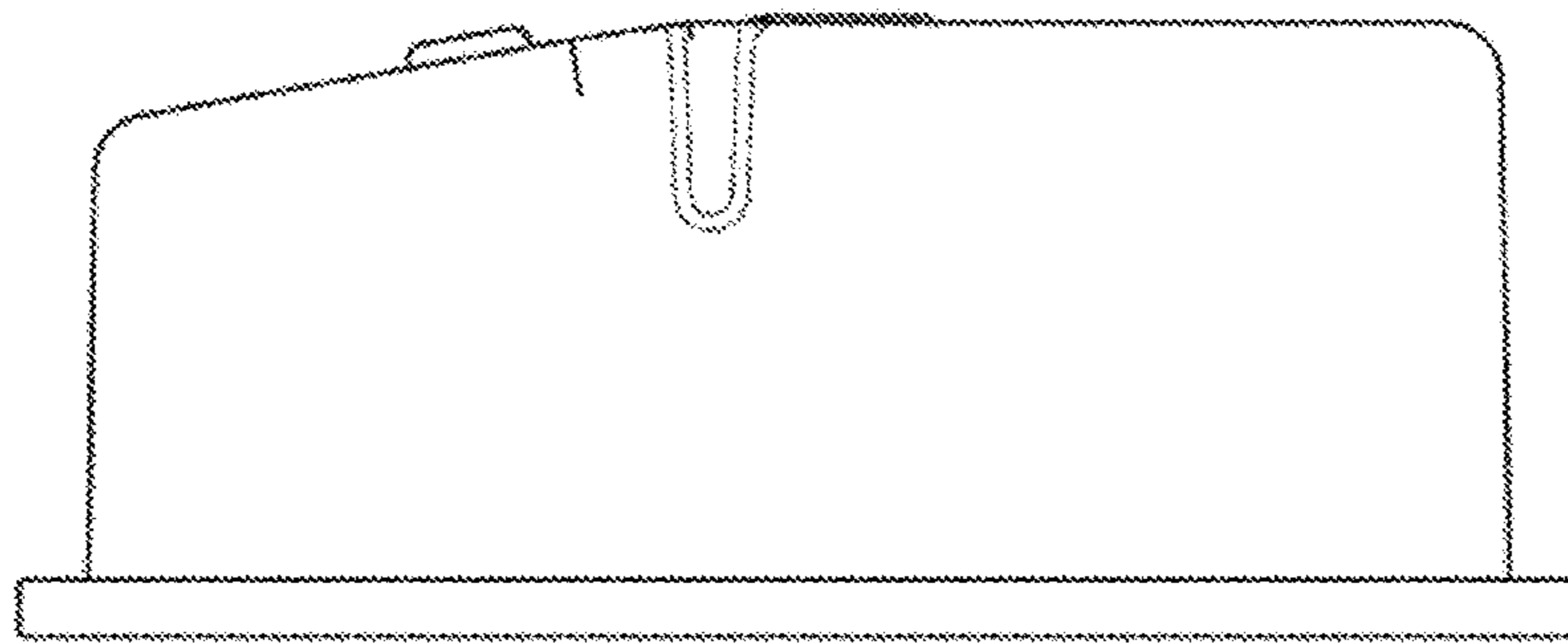
1.13



1.14



1.15



1.16

