



US00D854078S

(12) **United States Design Patent** (10) **Patent No.:** **US D854,078 S**
Anderson, Jr. et al. (45) **Date of Patent:** **** Jul. 16, 2019**

(54) **TONER CARTRIDGE**

FOREIGN PATENT DOCUMENTS

(71) Applicant: **LEXMARK INTERNATIONAL, INC.**, Lexington, KY (US)

JP D1335540 * 7/2008
RU 00085239 * 5/2013
RU 00099160 * 7/2016

(72) Inventors: **James Daniel Anderson, Jr.**, Harrodsburg, KY (US); **Brian Scott Carpenter**, Lexington, KY (US); **Masahito Cho**, Lexington, KY (US); **Jason Paul Hale**, Pembroke Pines, FL (US); **Kyle Bradley Martin**, Lexington, KY (US); **Robert Watson McAlpine**, Lexington, KY (US); **Jeremy Keith Payne**, Georgetown, KY (US); **Thomas Eugene Pangburn**, Lexington, KY (US); **Matthew Lee Rogers**, Lexington, KY (US); **Edward Lynn Triplett**, Lexington, KY (US)

OTHER PUBLICATIONS

Amazon. <URL: https://www.amazon.com/LINKYO-Replacement-Toner-Cartridges-2-Pack/dp/B06Y42ZZPG/ref=pd_day0_229_4?encoding=UTF8&pd_rd_i=B06Y42ZZPG&pd_rd_r=0VFE28T5AST33K86VWBS&pd_rd_w=lsLkS&pd_rd_wg=pOzbE&psc=1&refRID=0VFE28T5AST33K86VWBS> Apr. 7, 2017. LINKYO Replacement Toner Cartridges.*

(Continued)

Primary Examiner — Susan Bennett Hattan
Assistant Examiner — Lauren D McVey

(73) Assignee: **Lexmark International, Inc.**, Lexington, KY (US)

(57) **CLAIM**

(**) Term: **15 Years**

The ornamental design for a toner cartridge, as shown and described.

(21) Appl. No.: **29/609,432**

DESCRIPTION

(22) Filed: **Jun. 30, 2017**

(51) **LOC (11) Cl.** **16-03**

(52) **U.S. Cl.**
USPC **D18/43**

(58) **Field of Classification Search**
USPC D18/40-45, 56
CPC G03G 15/0894; G03G 15/0896; G03G 15/0898; G03G 21/1661; G03G 21/1666; G03G 21/1671; G03G 21/1676; G03G 21/168; G03G 21/1685; G03G 21/169;

(Continued)

FIG. 1 is a front, right side, top perspective view of a toner cartridge, showing our new design;
FIG. 2 is a rear, left side, top perspective view thereof;
FIG. 3 is a front, left side, bottom perspective view thereof;
FIG. 4 is a rear, right side, bottom perspective view thereof;
FIG. 5 is a front elevation view thereof;
FIG. 6 is a left side elevation view thereof;
FIG. 7 is a rear elevation view thereof;
FIG. 8 is a right side elevation view thereof;
FIG. 9 is a top plan view thereof; and,
FIG. 10 is a bottom plan view thereof.

The broken lines immediately adjacent to the shaded areas represent the bounds of the claimed design while all other broken lines are directed to environment and are for illustrative purposes only; the broken lines form no part of the claimed design.

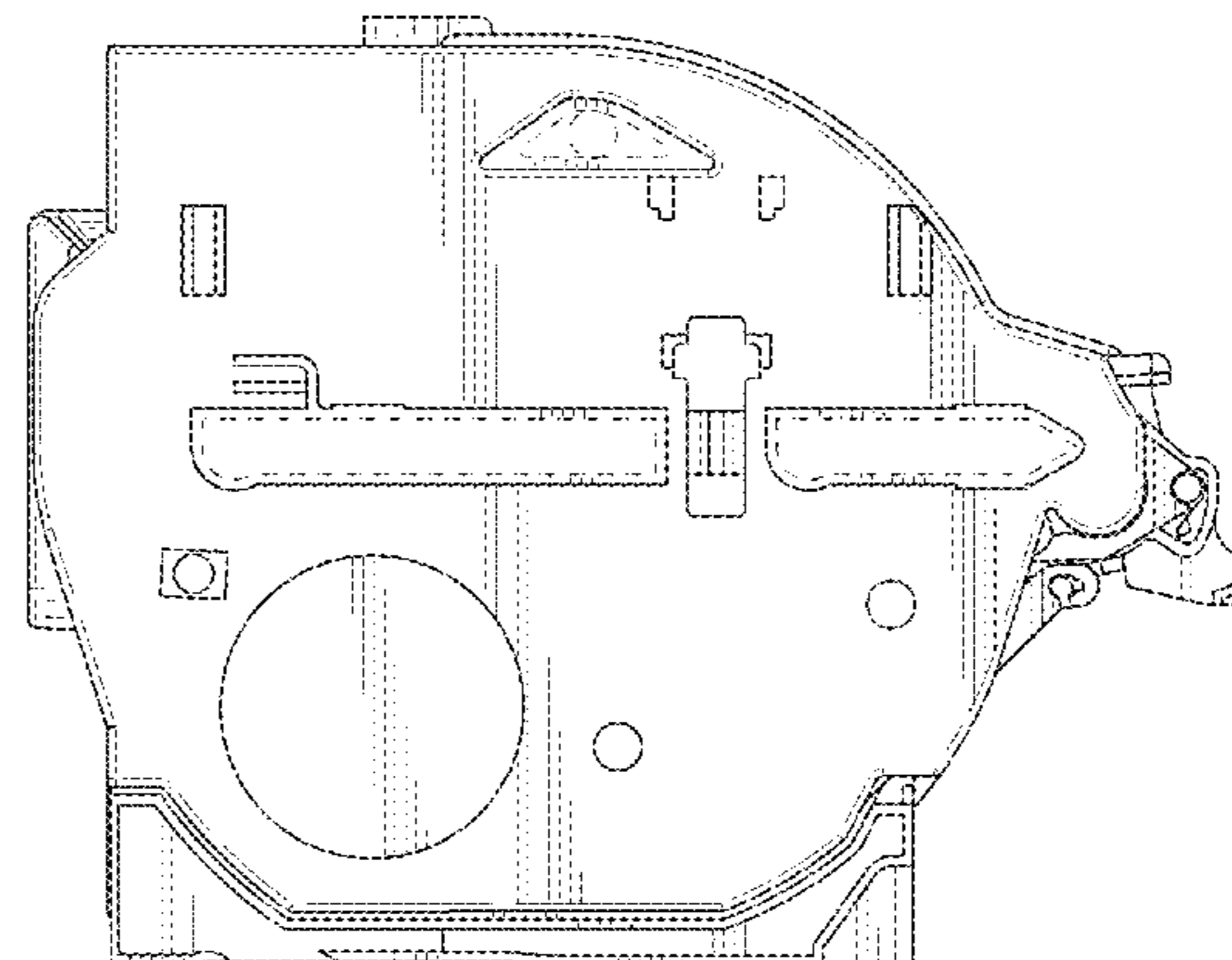
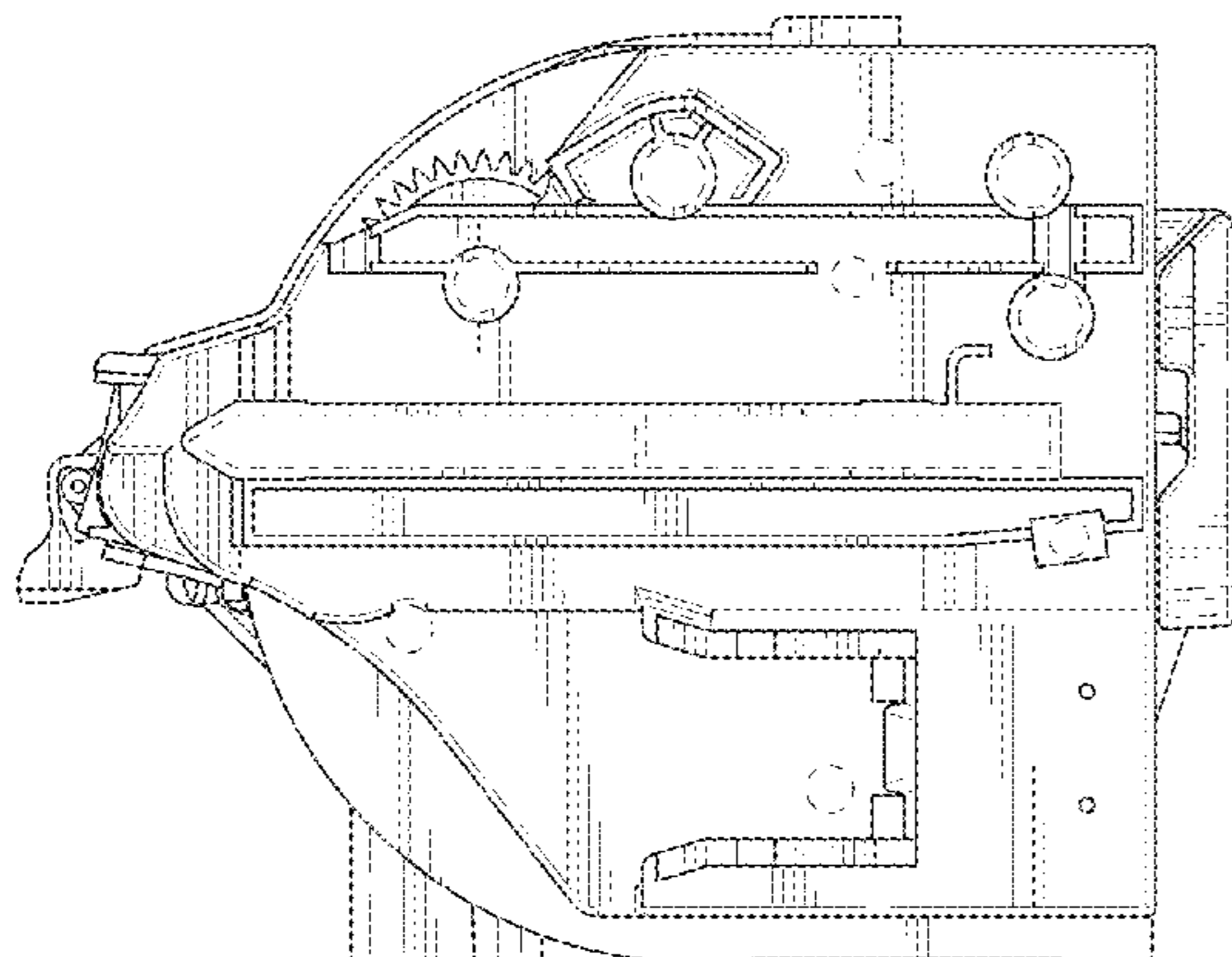
(56) **References Cited**

U.S. PATENT DOCUMENTS

D379,829 S * 6/1997 Hayashi D18/43
D442,624 S * 5/2001 Maeshima D18/43

(Continued)

1 Claim, 9 Drawing Sheets



(58) **Field of Classification Search**
 CPC G03G 21/1695; G03G 21/18; G03G
 21/1803; G03G 21/1807; G03G 15/0868;
 G03G 15/087; G03G 15/0872; G03G
 15/0874; G03G 15/0875; G03G 15/0877
 See application file for complete search history.

(56) **References Cited**

U.S. PATENT DOCUMENTS

D524,849	S *	7/2006	Komai	D18/43
D645,077	S *	9/2011	Murata	D18/43
D683,391	S *	5/2013	Takahashi	D18/43
D693,400	S	11/2013	Boettcher et al.	
8,588,659	B2 *	11/2013	Carter	G03G 21/1676 399/258
D695,338	S	12/2013	Boettcher et al.	
D695,820	S	12/2013	Carter, II et al.	
D695,821	S	12/2013	Carter, II et al.	
D697,549	S *	1/2014	Wakimoto	D18/43
D707,751	S *	6/2014	Wakimoto	D18/43
8,879,964	B1 *	11/2014	Buchanan	G03G 15/0877 399/258
D723,614	S *	3/2015	Shimizu	D18/43
9,104,135	B2 *	8/2015	Hackney	G03G 15/0832
9,291,989	B1	3/2016	Carpenter	
D755,283	S *	5/2016	Lee	D18/43
9,360,797	B1	6/2016	Bayubay et al.	
9,360,834	B1	6/2016	Payne et al.	
9,477,178	B1 *	10/2016	Bayubay	G03G 21/1821

9,551,974	B1 *	1/2017	Martin	G03G 21/1652
9,563,169	B1 *	2/2017	Carpenter	G03G 21/1652
9,709,925	B2 *	7/2017	Bayubay	G03G 15/0886
D796,573	S *	9/2017	Li	D18/43
D810,193	S *	2/2018	Etoh	D18/43
9,915,894	B2 *	3/2018	Bayubay	G03G 15/0865
9,921,522	B2 *	3/2018	Acosta	G03G 15/0865
2009/0245853	A1 *	10/2009	Lewis	G03G 15/0894 399/106
2013/0170866	A1 *	7/2013	Carter	G03G 15/0886 399/258
2013/0170867	A1 *	7/2013	Acosta	G03G 15/0886 399/258
2013/0170868	A1 *	7/2013	Acosta	G03G 15/0886 399/258
2013/0170872	A1 *	7/2013	Buchanan	G03G 15/0832 399/262

OTHER PUBLICATIONS

Design U.S. Appl. No. 29/609,435, filed Jun. 30, 2017 (Anderson et al.).

Design U.S. Appl. No. 29/609,439, filed Jun. 30, 2017 (Anderson et al.).

Rejection dated Jun. 19, 2018 for Brazilian Registered Design Application No. BR3020170055168.

Machine translation of rejection dated Jun. 19, 2018 for Brazilian Registered Design Application No. BR3020170055168.

* cited by examiner

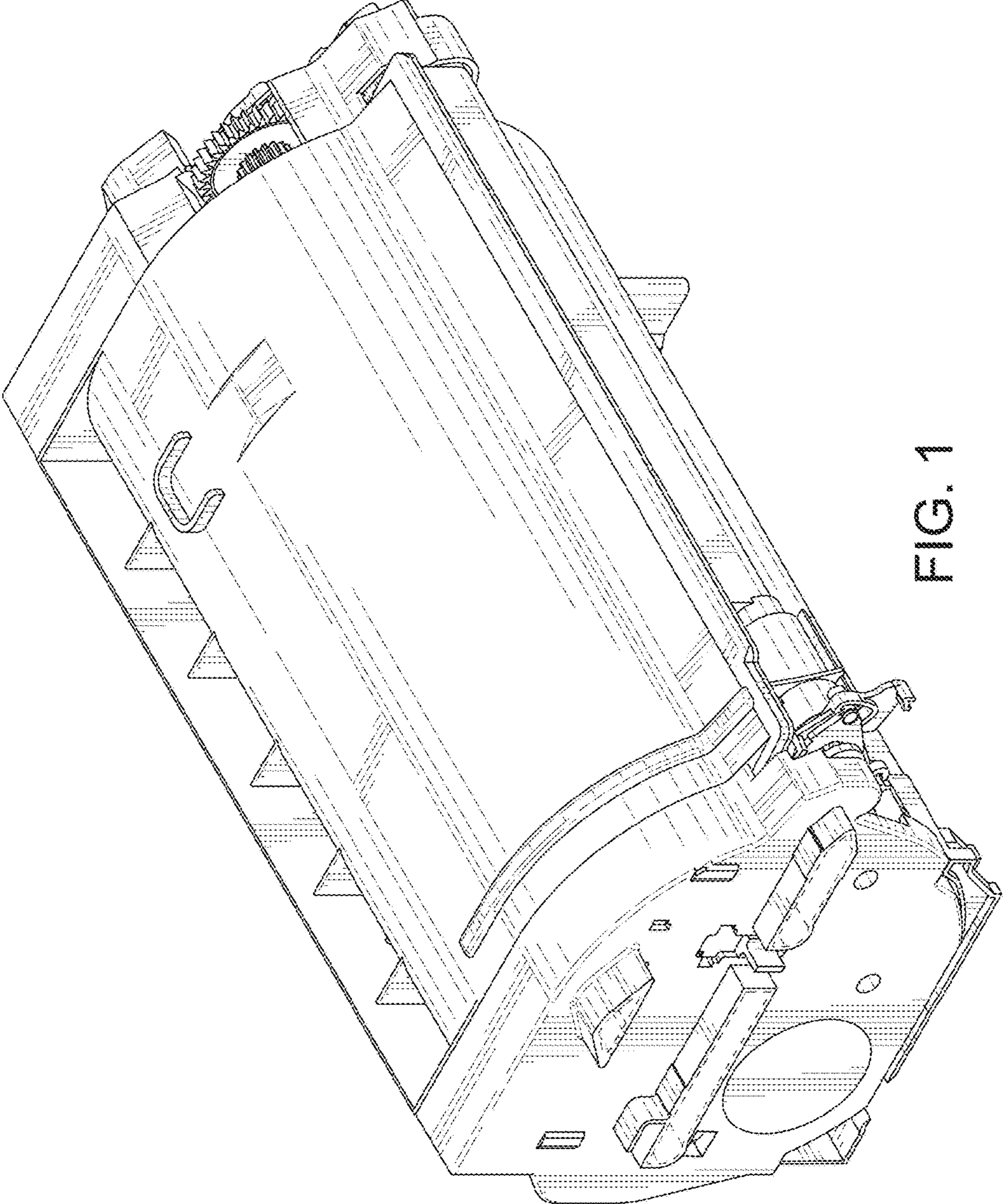


FIG. 1

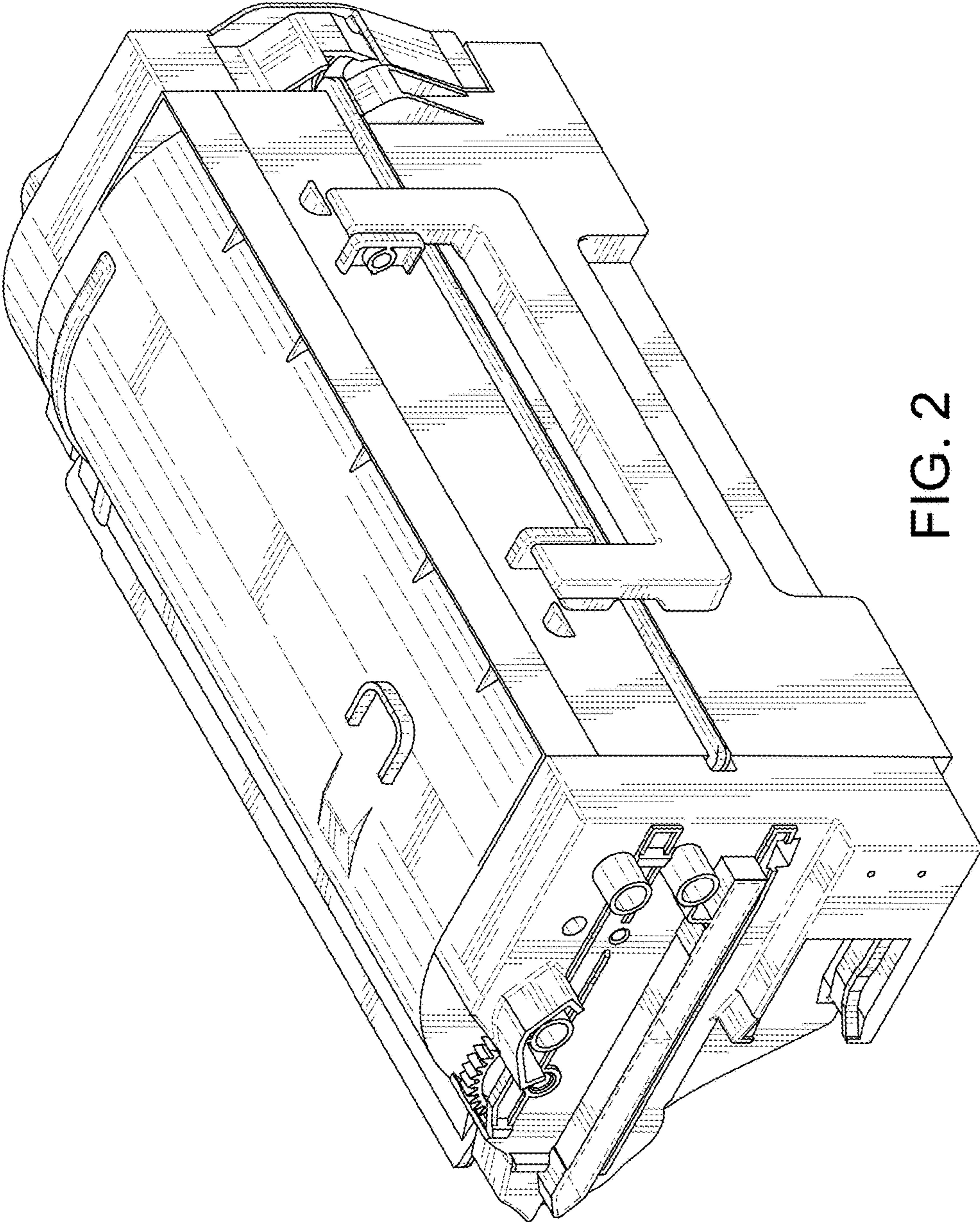


FIG. 2

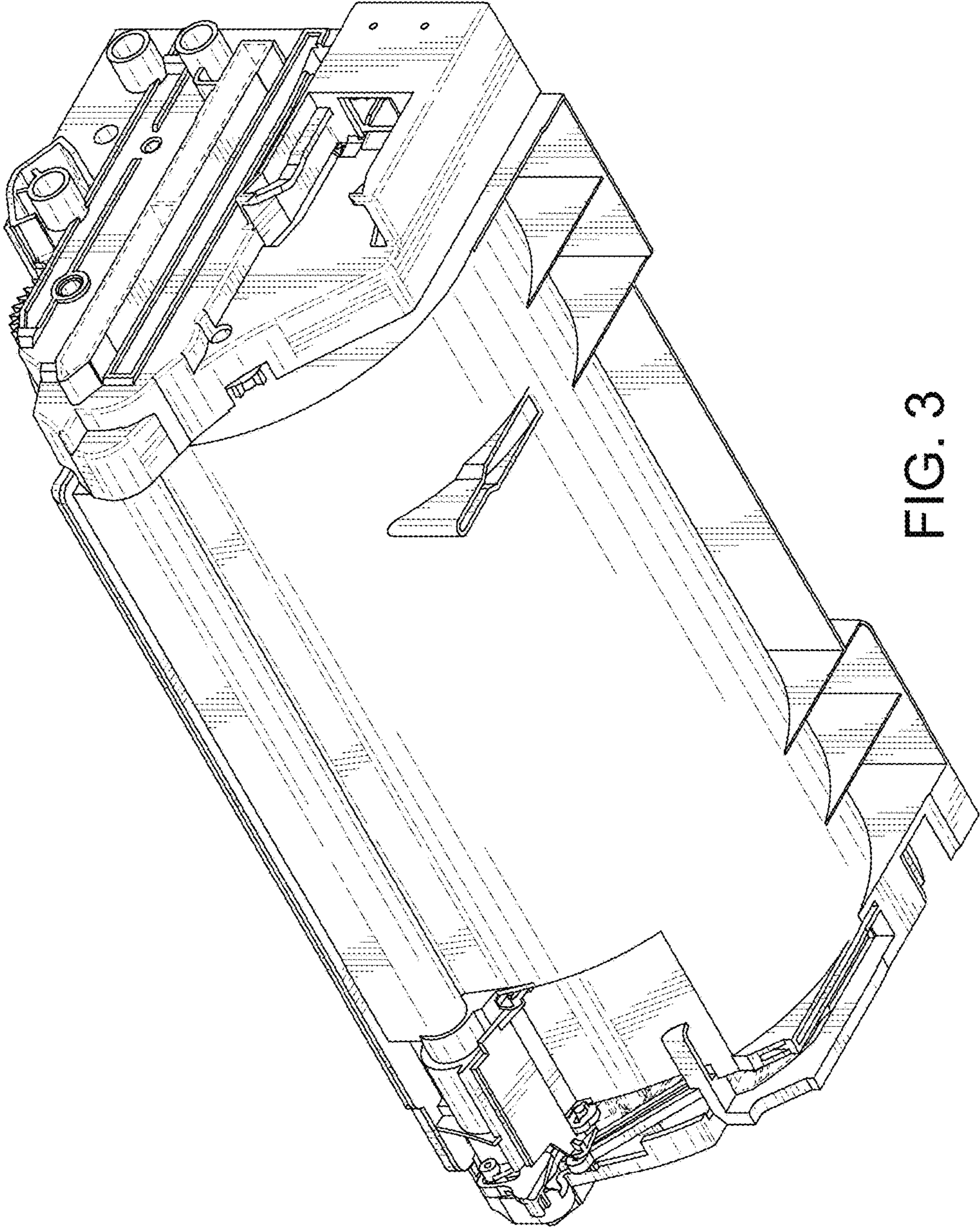


FIG. 3

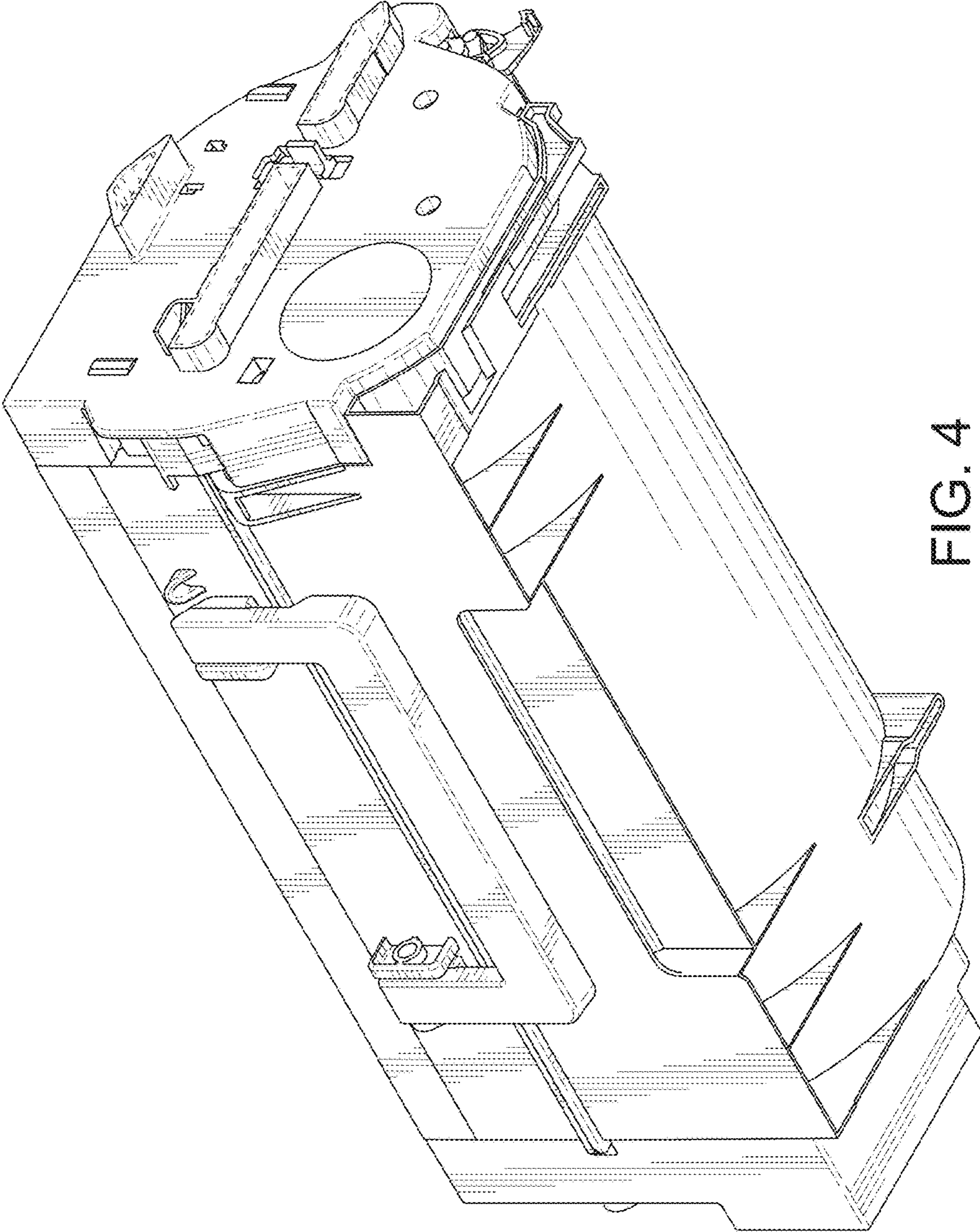


FIG. 4

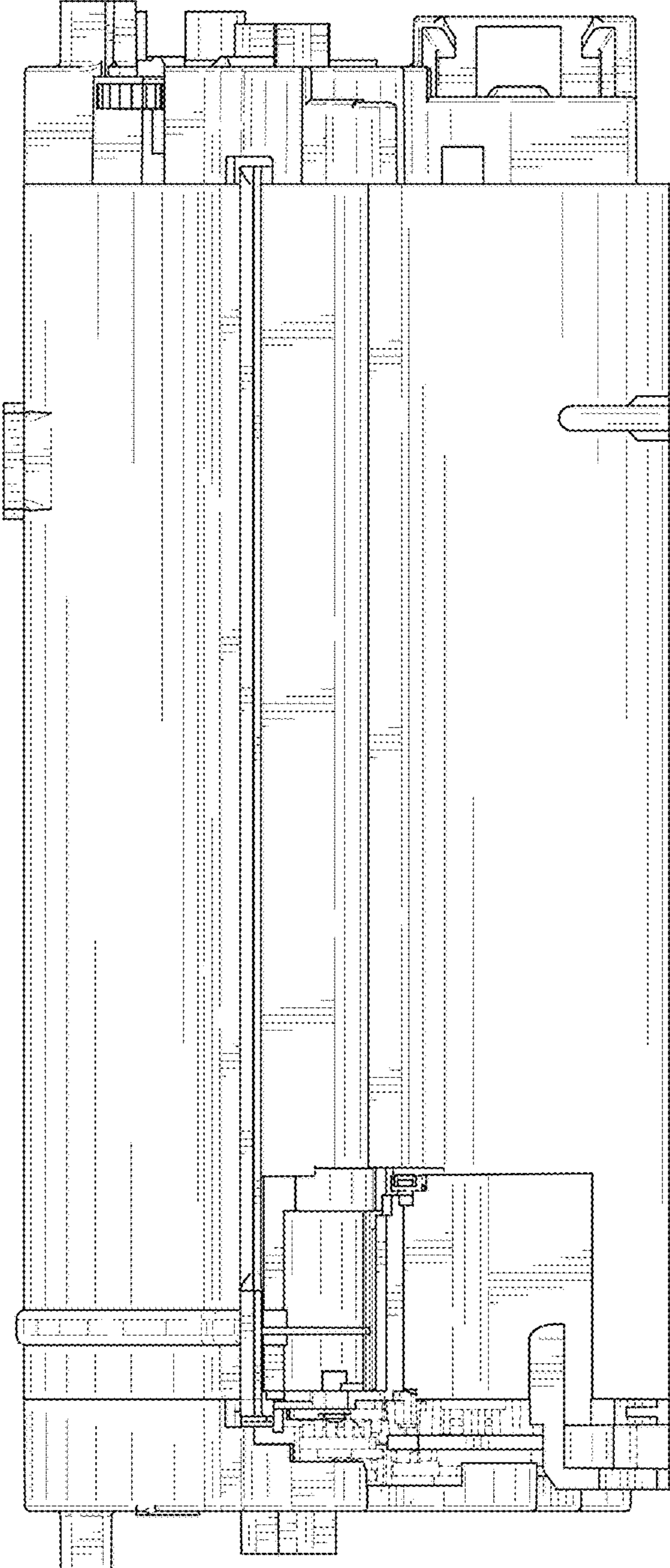


FIG. 5

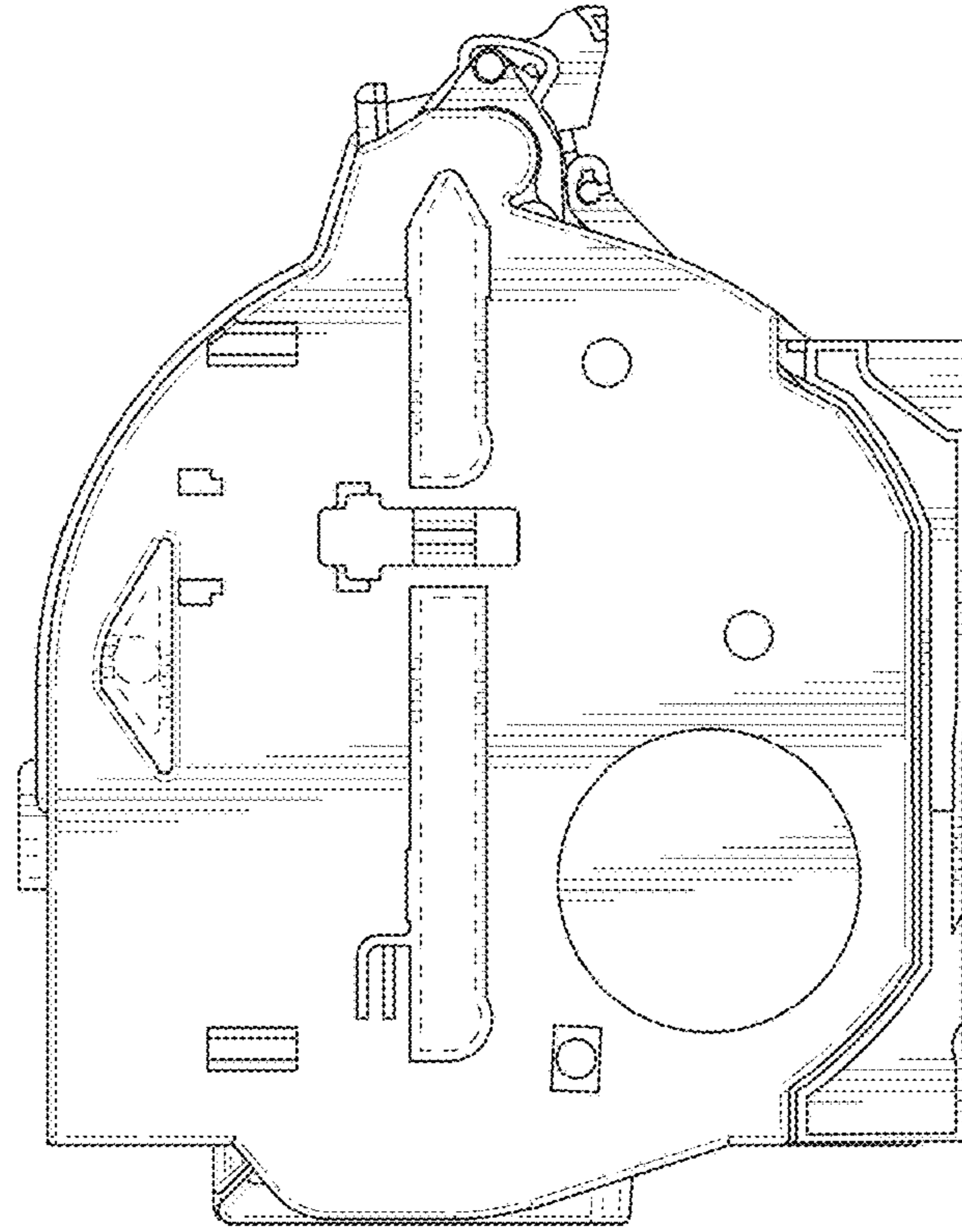


FIG. 6

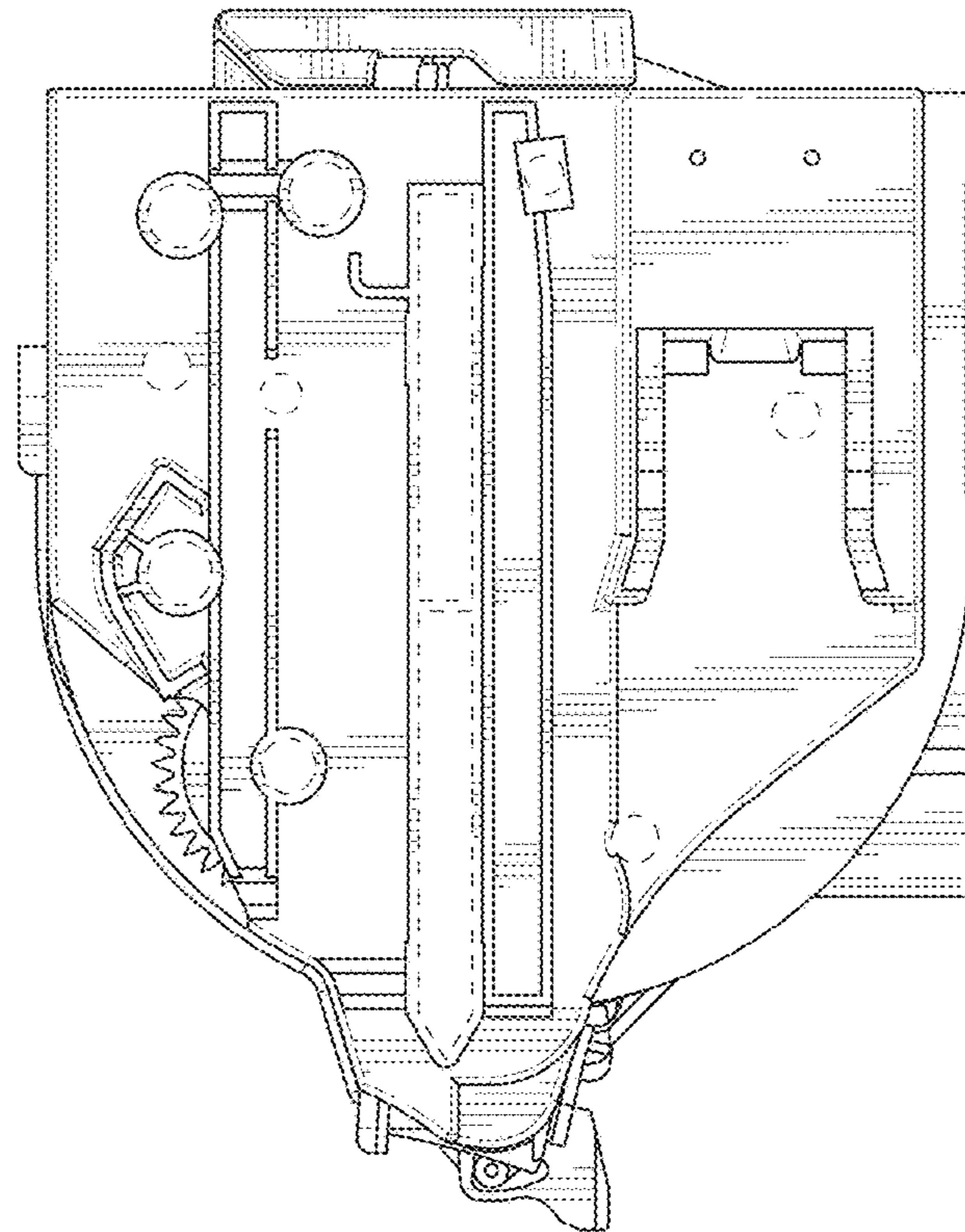


FIG. 8

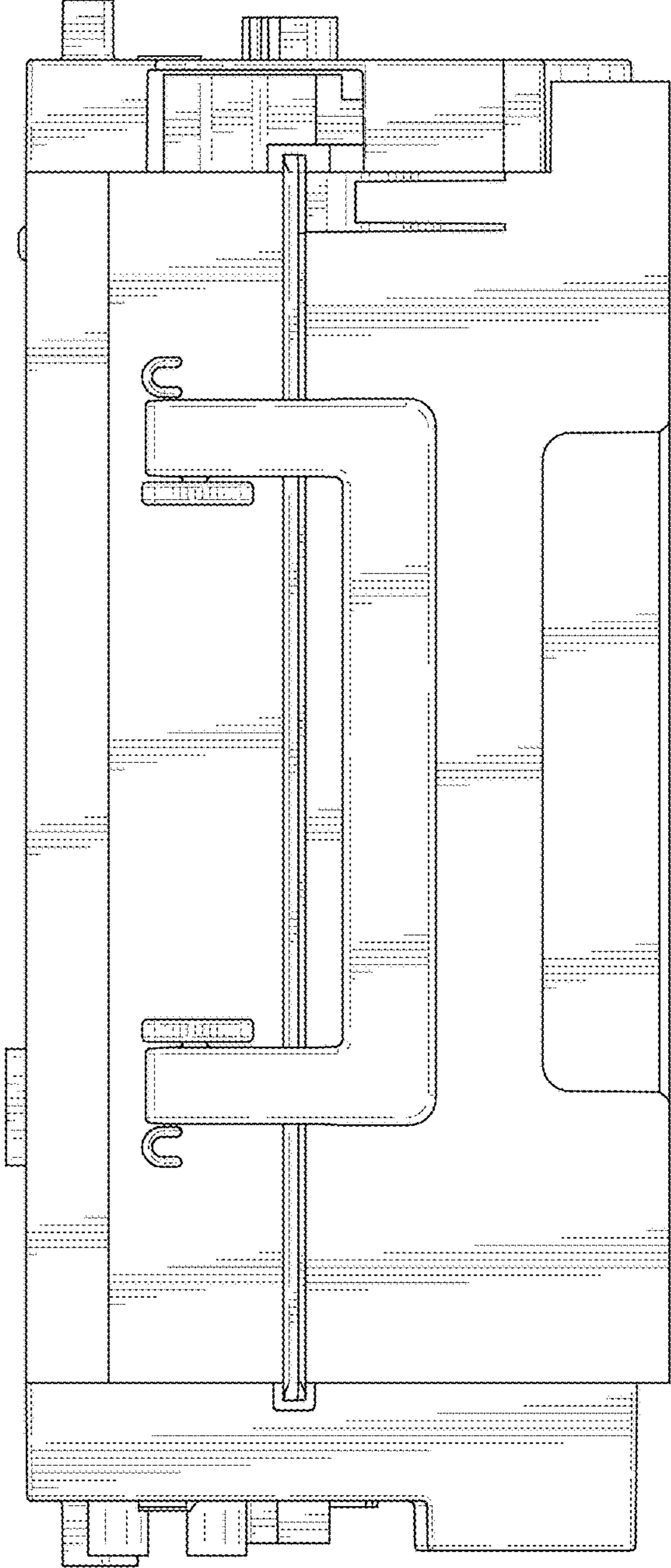


FIG. 7

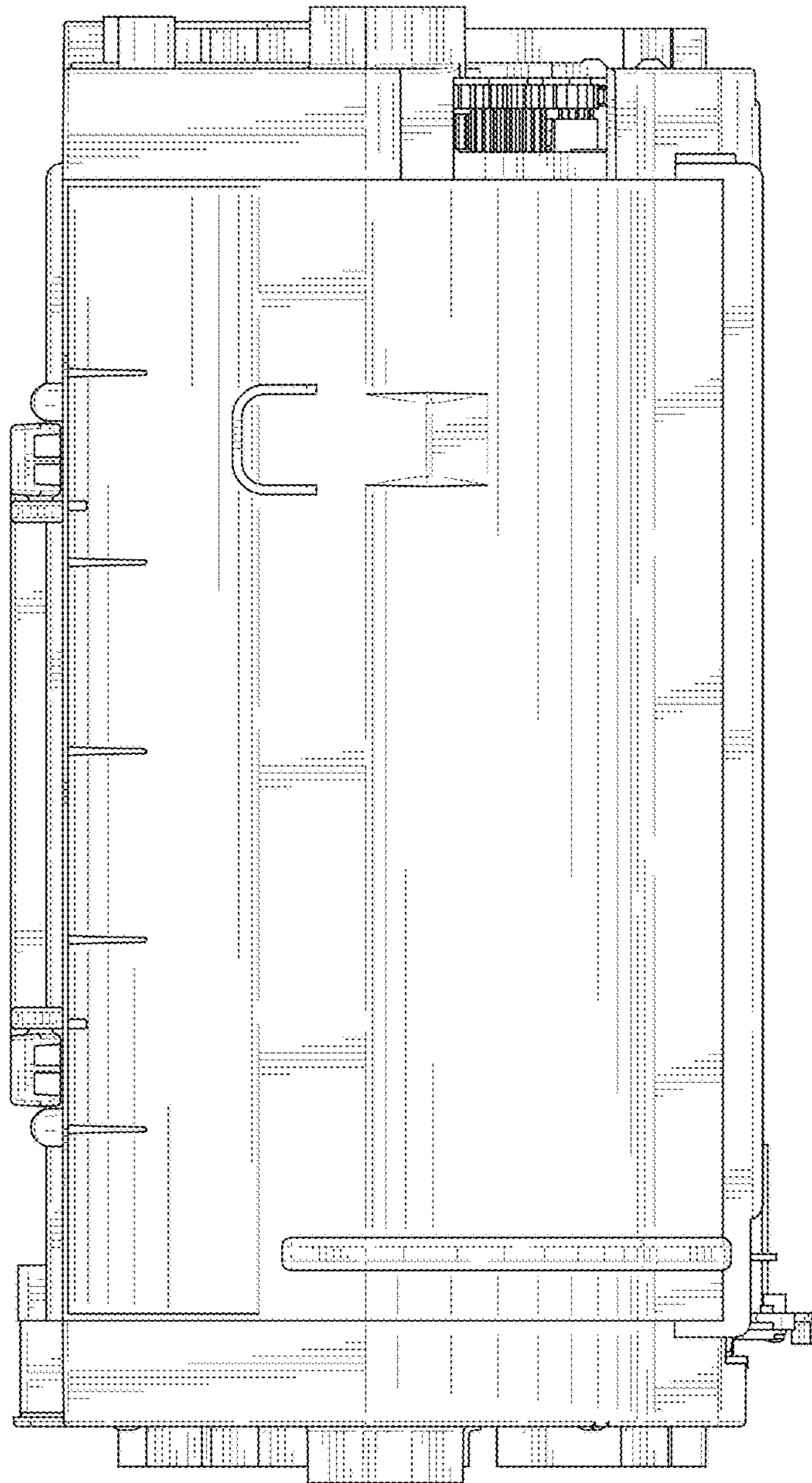


FIG. 9

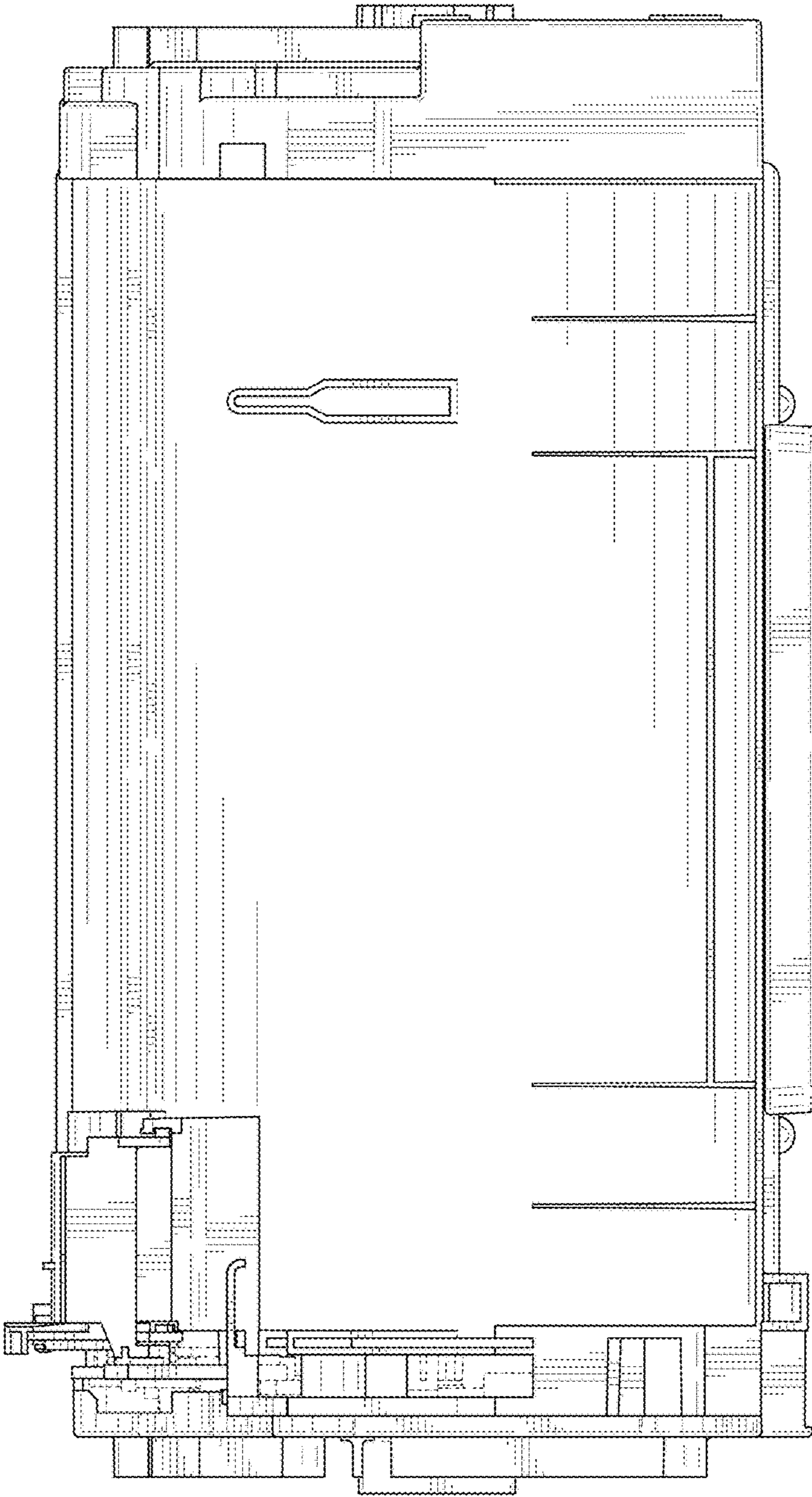


FIG. 10