



US00D854076S

(12) **United States Design Patent** (10) **Patent No.:** **US D854,076 S**
Um (45) **Date of Patent:** **** Jul. 16, 2019**

(54) **HINGE FOR GLASSES**

(56) **References Cited**

(71) Applicant: **Ki Hyun Um**, Jeollanam-Do (KR)

U.S. PATENT DOCUMENTS

(72) Inventor: **Ki Hyun Um**, Yeosu-si (KR)

| | | | |
|--------------|---------|--------------------|---------|
| D159,032 S * | 9/1949 | Wolter | D16/334 |
| D212,047 S * | 8/1968 | Mankowski | D16/334 |
| D223,295 S * | 4/1972 | Obstar et al. | D16/334 |
| D411,561 S * | 6/1999 | Hall et al. | D16/334 |
| D553,179 S * | 10/2007 | Irvine | D16/334 |
| D682,924 S * | 5/2013 | Cheung | D16/334 |
| D701,558 S * | 3/2014 | Lai | D16/334 |
| D747,760 S * | 1/2016 | Huang | D16/334 |
| D751,631 S * | 3/2016 | Montoya | D16/334 |
| D816,152 S * | 4/2018 | Huang | D16/334 |

(**) Term: **15 Years**

(21) Appl. No.: **35/503,107**

(22) Filed: **May 8, 2017**

(80) **Hague Agreement Data**

Int. Filing Date: **May 8, 2017**

Int. Reg. No.: **DM/096203**

Int. Reg. Date: **May 8, 2017**

Int. Reg. Pub. Date: **Jun. 9, 2017**

* cited by examiner

Primary Examiner — Manpreet S Matharu

Assistant Examiner — Holly E Thurman

(30) **Foreign Application Priority Data**

Apr. 20, 2017 (KR) 30-2017-0018500

(51) **LOC (11) Cl.** **16-06**

(52) **U.S. Cl.**
USPC **D16/334**

(58) **Field of Classification Search**
USPC D16/101, 300-342, 900
CPC G02C 2200/08; G02C 1/06; G02C 5/14;
G02C 11/02; G02C 11/04; G01C 5/16;
A61M 2021/0044; A63B 33/002

See application file for complete search history.

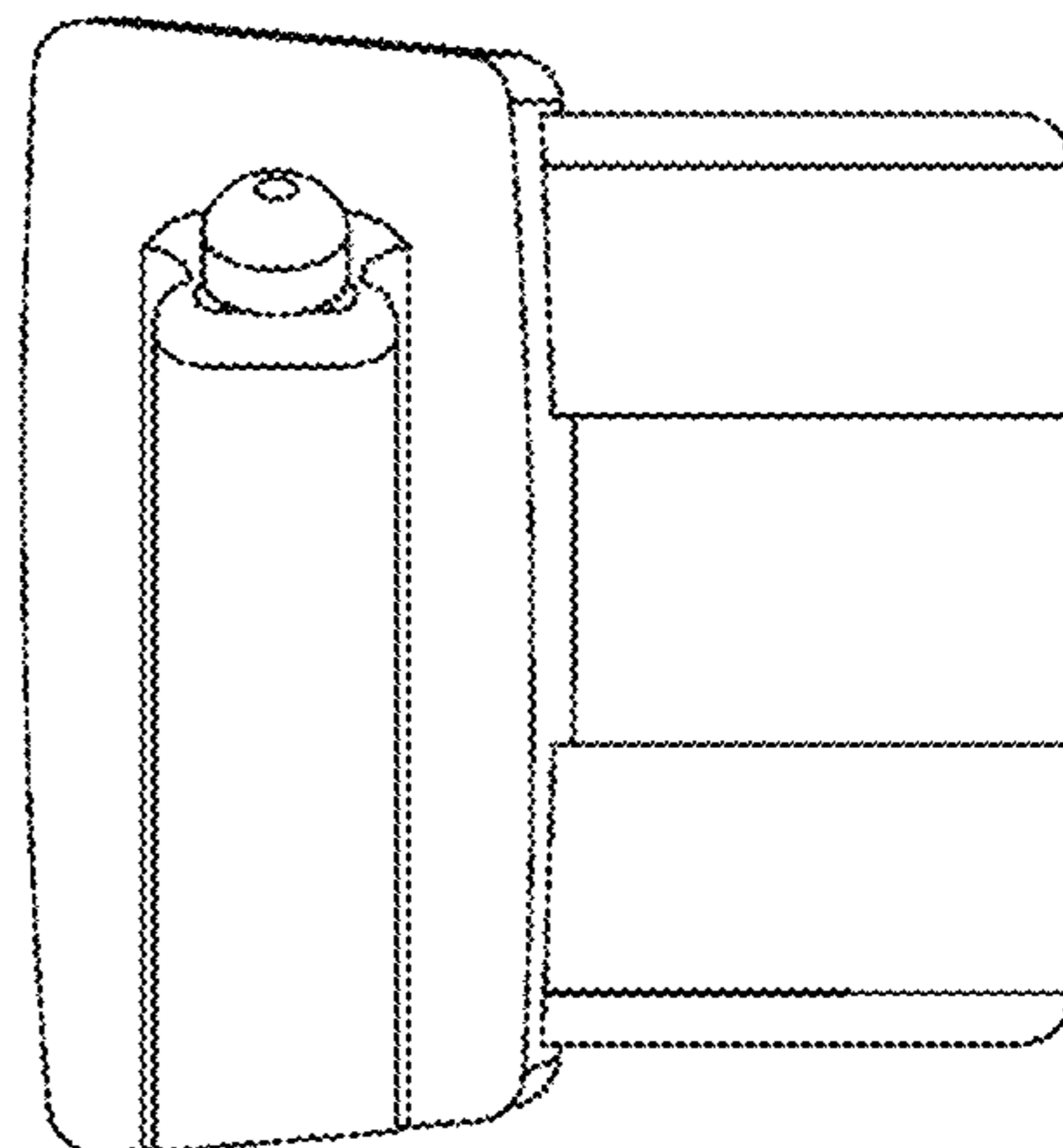
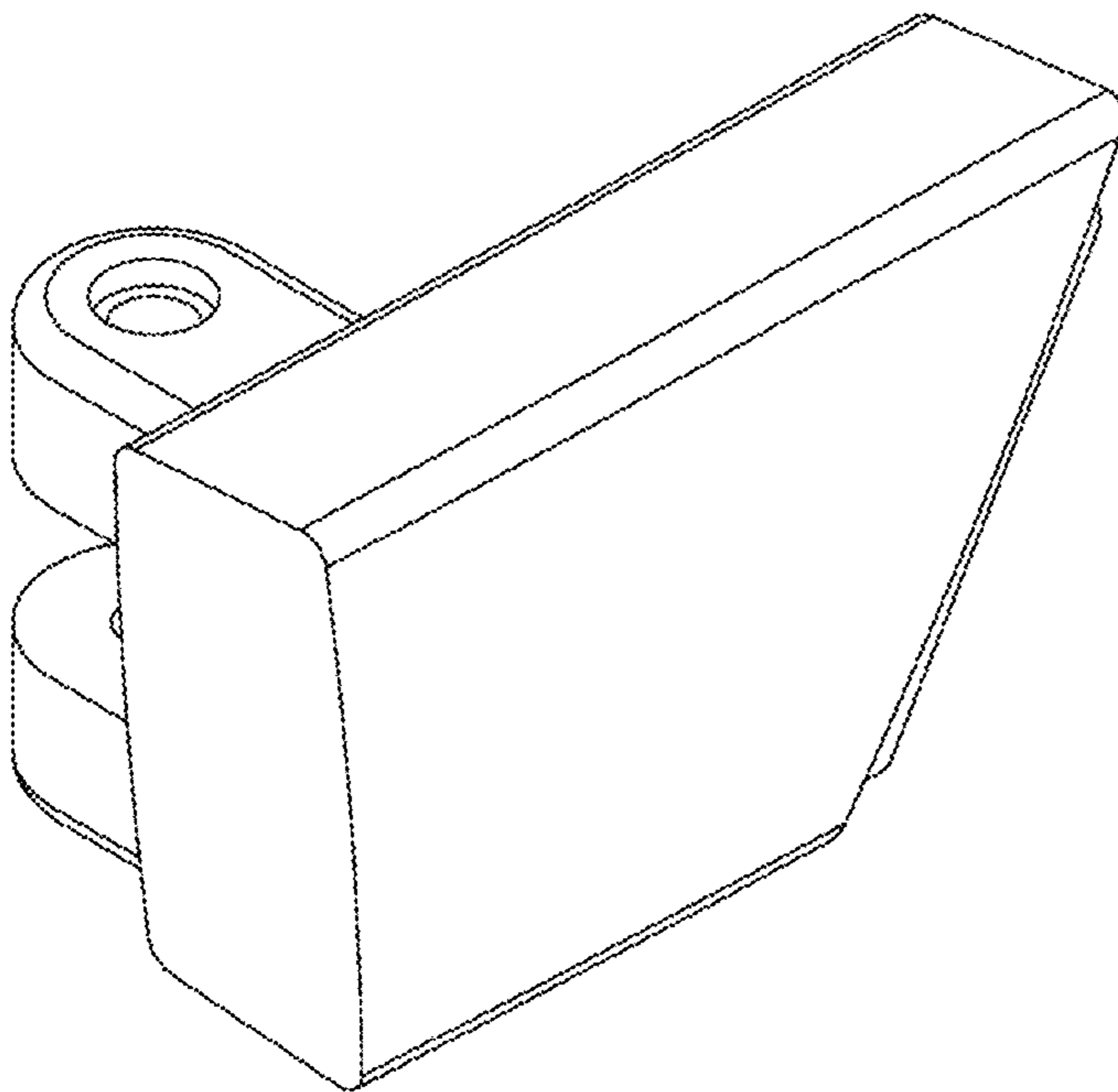
(57) **CLAIM**

The ornamental design for a hinge for glasses, as shown and described.

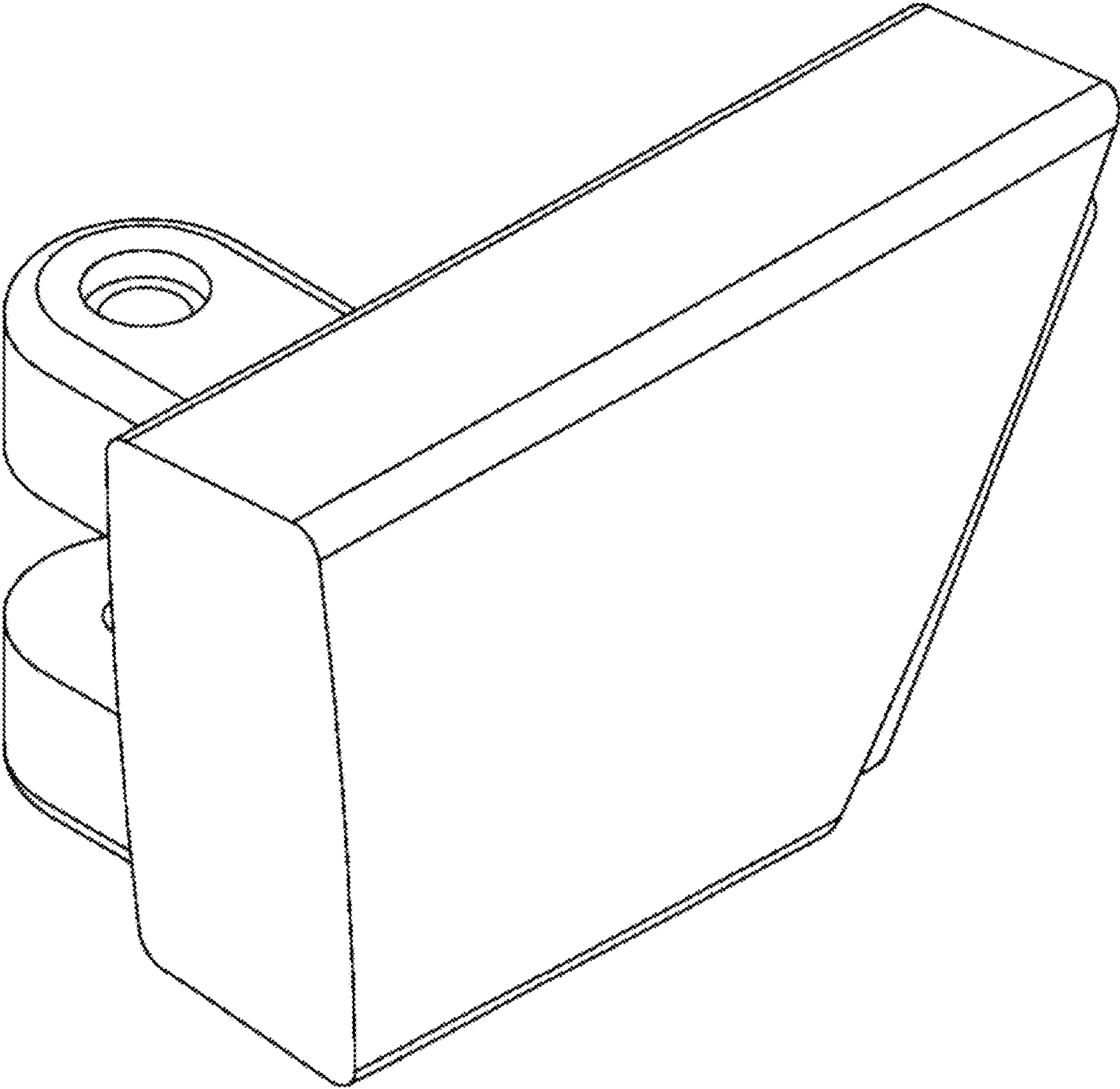
DESCRIPTION

- 1. Hinge for glasses
- 1.1 : Perspective
- 1.2 : Front
- 1.3 : Back
- 1.4 : Top
- 1.5 : Bottom
- 1.6 : Left
- 1.7 : Right

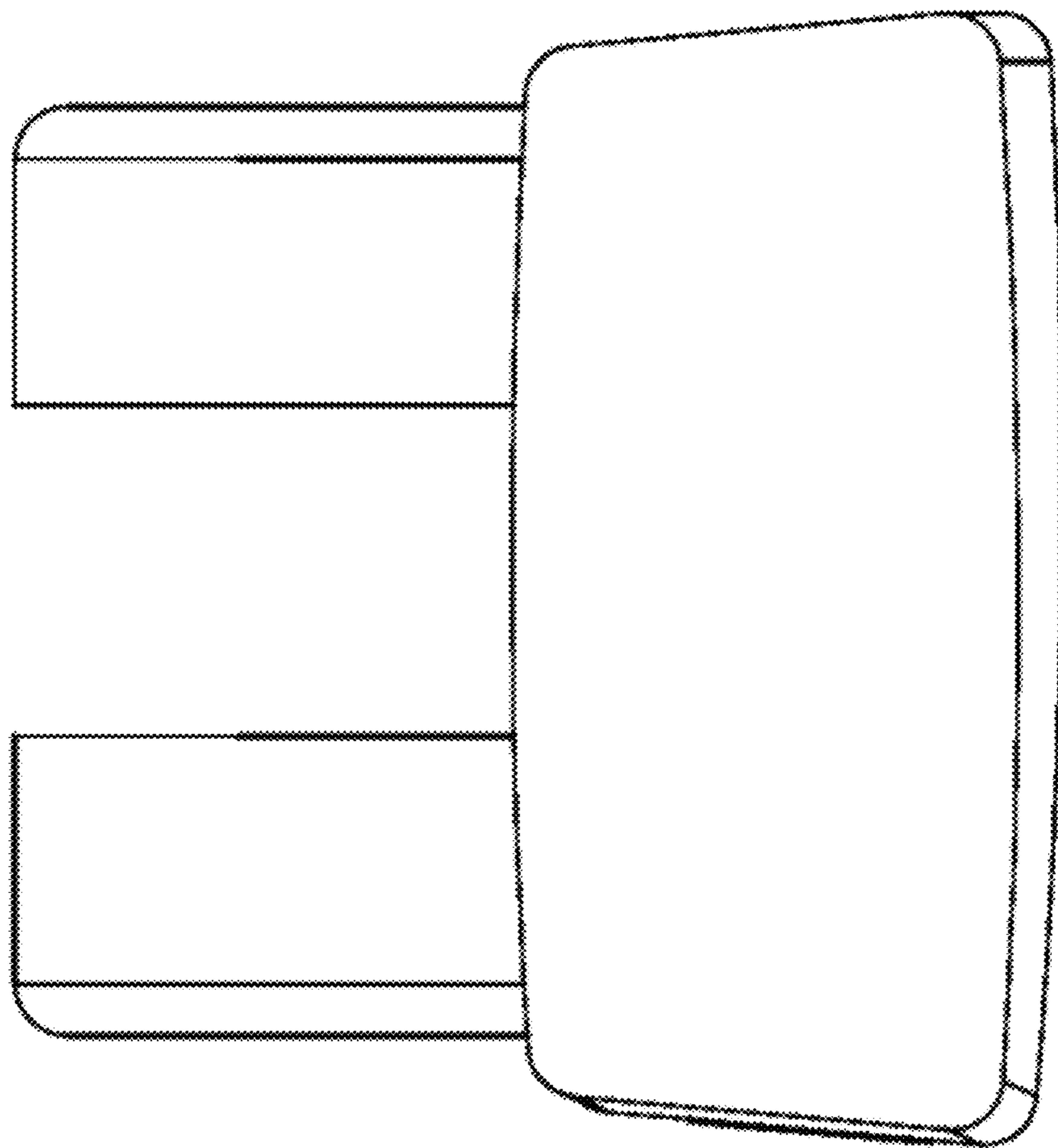
1 Claim, 7 Drawing Sheets



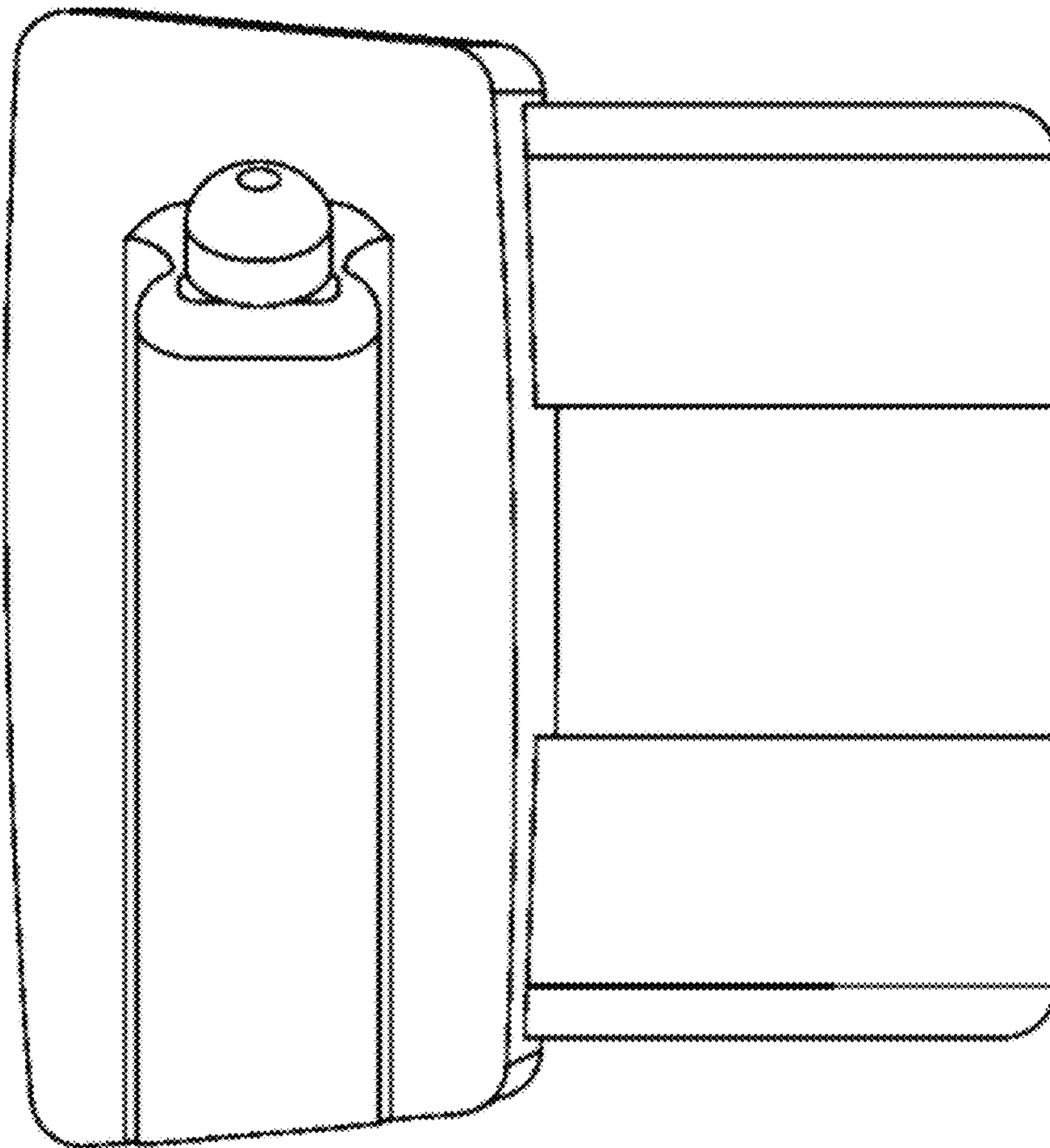
1.1



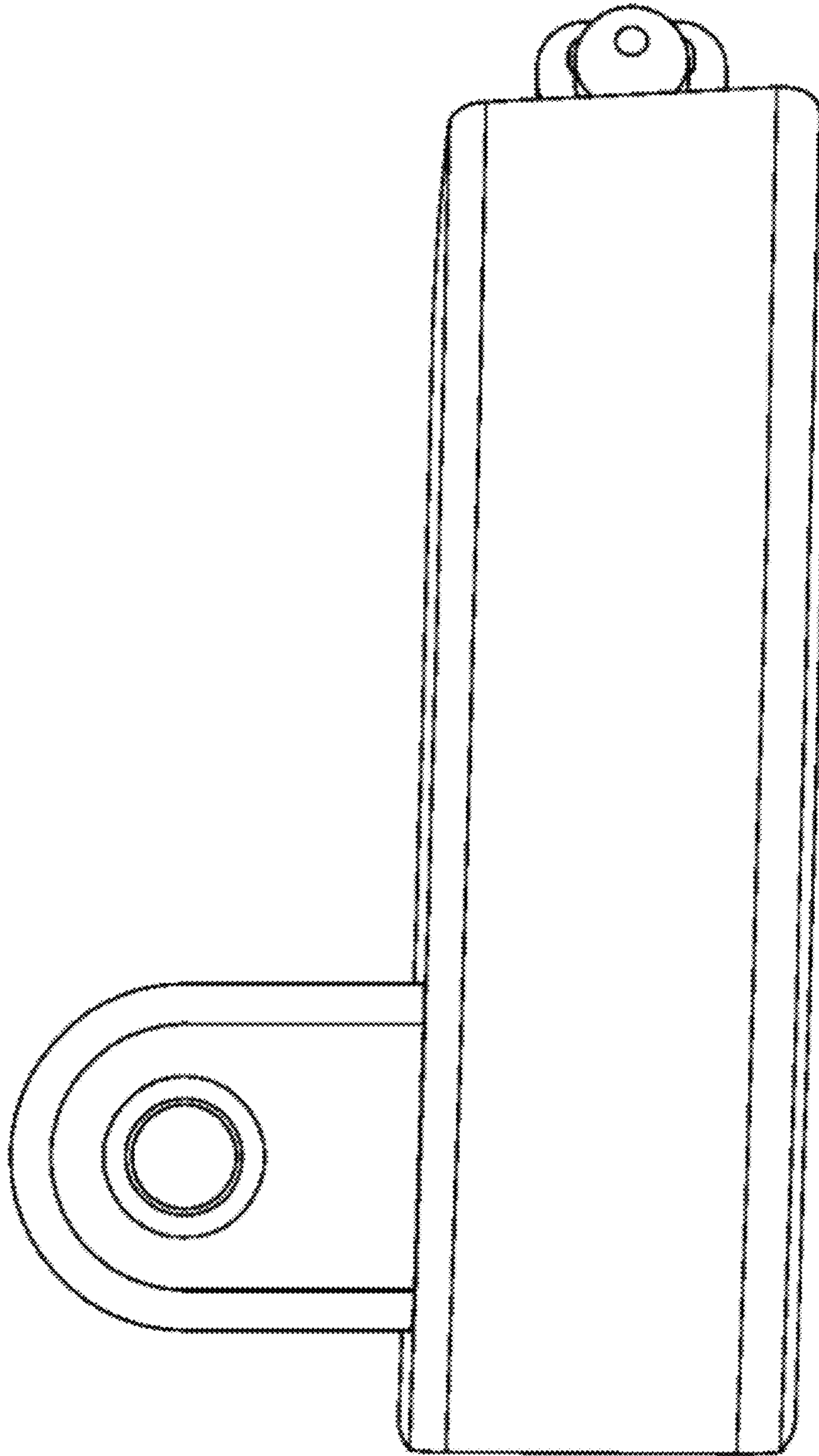
1.2



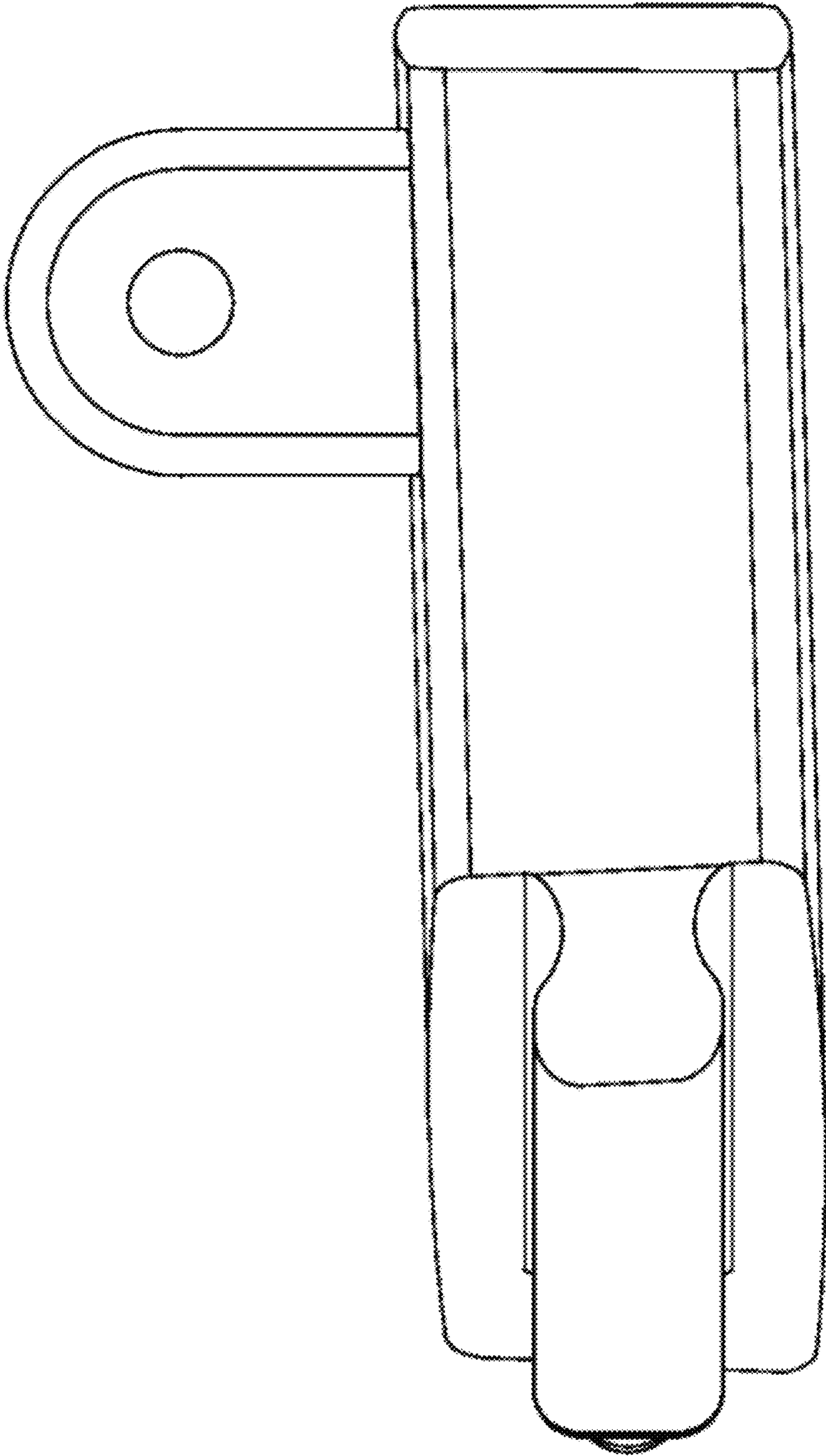
1.3



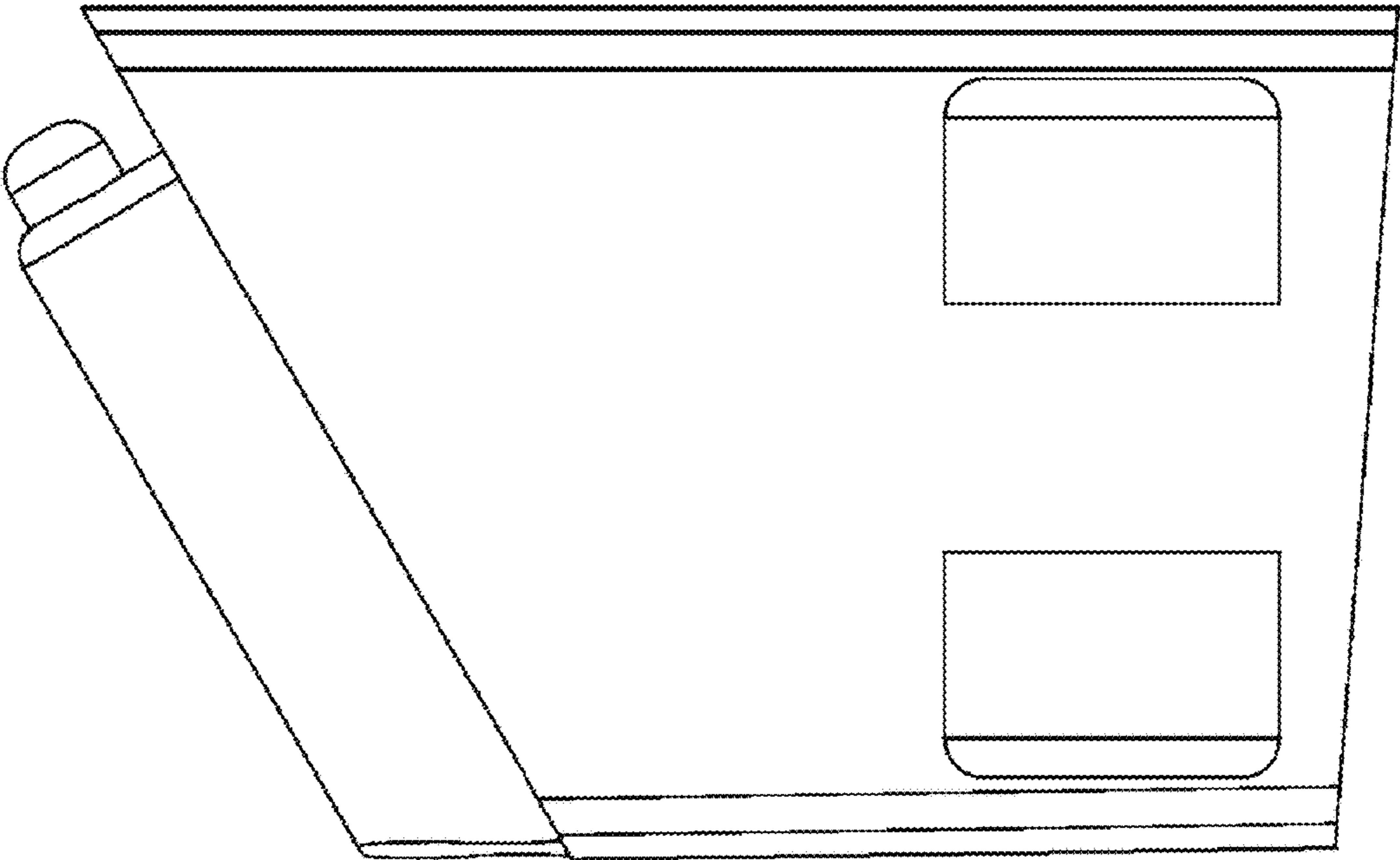
1.4



1.5



1.6



1.7

