



US00D854075S

(12) **United States Design Patent**
Carver

(10) **Patent No.:** **US D854,075 S**
(45) **Date of Patent:** **** Jul. 16, 2019**

(54) **EYE MASK**

- (71) Applicant: **Mind & Body Beauty, LLC**, Winnetka, CA (US)
- (72) Inventor: **Jason W. Carver**, Winnetka, CA (US)
- (**) Term: **15 Years**
- (21) Appl. No.: **29/625,033**
- (22) Filed: **Nov. 6, 2017**
- (51) **LOC (11) Cl.** **16-06**
- (52) **U.S. Cl.**
USPC **D16/301**
- (58) **Field of Classification Search**
USPC D16/301-303, 306
CPC ... A61F 9/04; A61F 2007/0228; A61F 13/124
See application file for complete search history.

(56) **References Cited**

U.S. PATENT DOCUMENTS

850,997	A *	4/1907	Cover	A61F 9/026
					2/440
4,649,908	A *	3/1987	Ghaly	A61F 9/04
					128/858
D423,547	S *	4/2000	Hottenroth	D16/303
6,826,784	B2 *	12/2004	Patire	A61F 9/029
					128/858
D592,236	S *	5/2009	McGrath	D16/301
D625,349	S *	10/2010	Aryan	D16/301
2003/0056281	A1 *	3/2003	Hasegawa	A61F 7/02
					2/428
2016/0022045	A1 *	1/2016	Lee	B60N 2/879
					5/639
2017/0252210	A1 *	9/2017	Bruder	A61F 7/02
2018/0055691	A1 *	3/2018	Renaud	A61F 7/007
2018/0353129	A1 *	12/2018	Cameron	A61B 5/6803
2019/0000666	A1 *	1/2019	Bruder	A61F 7/02

OTHER PUBLICATIONS

Eye Mask, posted at amazon.com, posting date Mar. 2, 2015, [online], [site visited Feb. 12, 2019]. Available from Internet, URL: <https://www.amazon.com/dp/B00TPEKNZY/> (Year: 2015).*

GOMOFT Sleep Mask, posted at gomoft.com, posting date not given, [online], [site visited Feb. 12, 2019]. Available from Internet, URL: <https://www.gomoft.com/ursleep-mask/> (Year: 2019).*

(Continued)

Primary Examiner — George D. Kirschbaum
Assistant Examiner — Maria J Edwards

(57) **CLAIM**

I claim the ornamental design for an eye mask, substantially as shown and described.

DESCRIPTION

FIG. 1 is a front isometric view of first embodiment of an eye mask.

FIG. 2 is a rear isometric view of the eye mask of FIG. 1.

FIG. 3 is a front elevation view of the eye mask of FIG. 1.

FIG. 4 is a rear elevation view of the eye mask of FIG. 1.

FIG. 5 is a right side elevation view of the eye mask of FIG. 1.

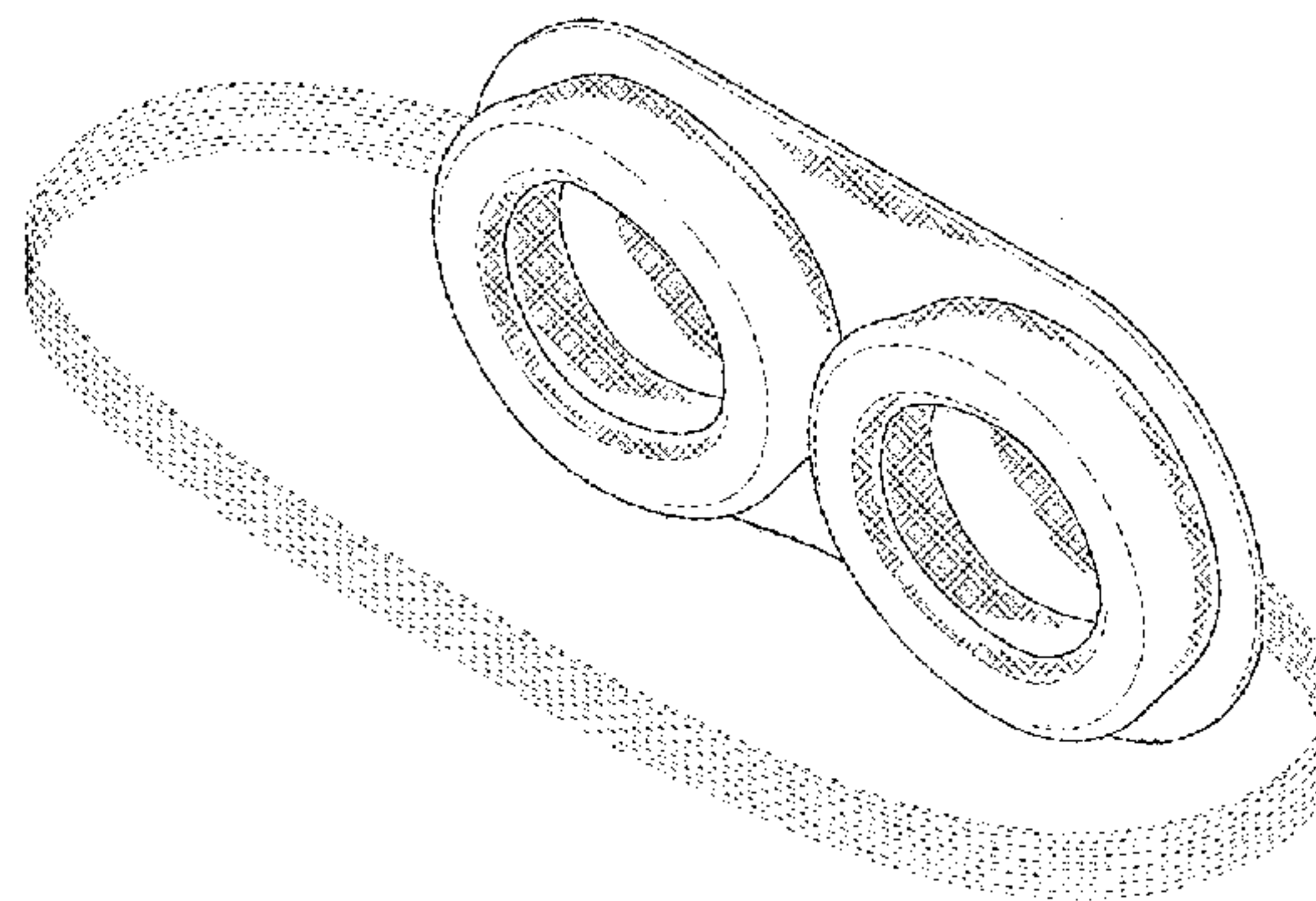
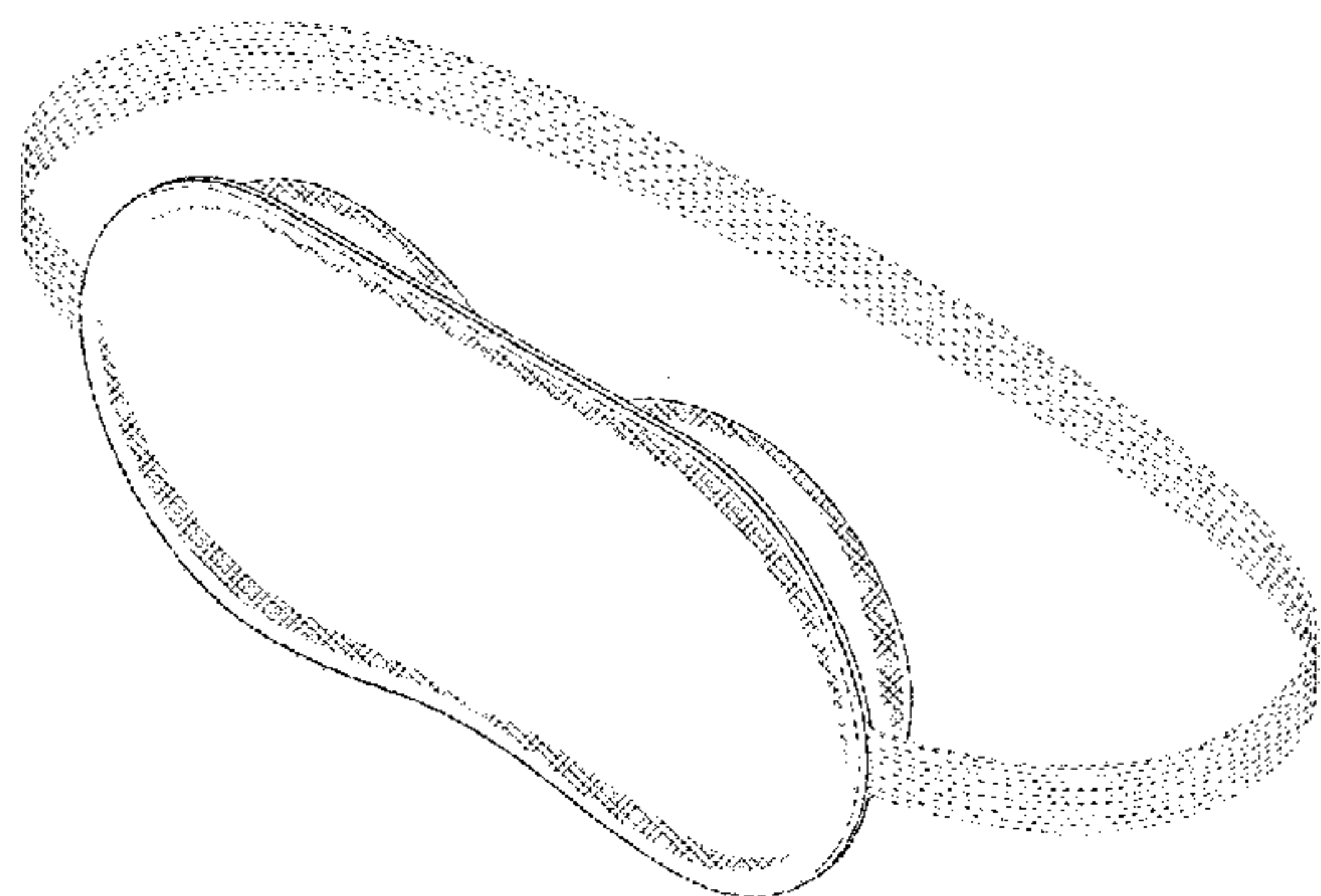
FIG. 6 is a left side elevation view of the eye mask of FIG. 1.

FIG. 7 is a top plan view of the eye mask of FIG. 1.

FIG. 8 is a bottom plan view of the eye mask of FIG. 1; and, FIG. 9 is a top elevation view in cross section of the eye mask of FIG. 1 as indicated by line 9-9 in FIG. 4.

The broken lines in the drawings illustrate portions of the eye mask that form no part of the claimed design.

1 Claim, 5 Drawing Sheets



(56)

References Cited

OTHER PUBLICATIONS

Light Blocking Sleep Mask, posted at amazon.com, posting date Dec. 1, 2016, [online], [site visited Feb. 12, 2019]. Available from Internet, URL: <https://www.amazon.com/Light-Blocking-Sleep-Mask-Comfortable/dp/B07KTX8LDC/> (Year: 2016).*

Manta Sleep Mask, posted at mantasleep.com, posting date not given, [online], [site visited Feb. 12, 2019]. Available from Internet, URL: <https://mantasleep.com/products/manta-sleep-mask> (Year: 2019).*

Mindfold Blackout Sleeping Mask, posted at amazon.com, posting date Jun. 24, 2013, [online], [site visited Feb. 12, 2019]. Available from Internet, URL: <https://www.amazon.com/MindFold-Relaxation-Mask/dp/B010WC5UNW> (Year: 2013).*

Sleep Eye Mask, posted at amazon.com, posting date Nov. 29, 2018, [online], [site visited Feb. 12, 2019]. Available from Internet, URL: <https://www.amazon.com/Contoured-Sleeping-Blindfold-Concave-Meditation/dp/B07KC5DWCC/> (Year: 2018).*

ZIMASILK 100% Natural Silk Sleep Mask, posting date Jul. 20, 2018, [online], [site visited Feb. 12, 2019]. Available from Internet, URL: <https://www.amazon.com/dp/B07D354VBQ/> (Year: 2018).*

* cited by examiner

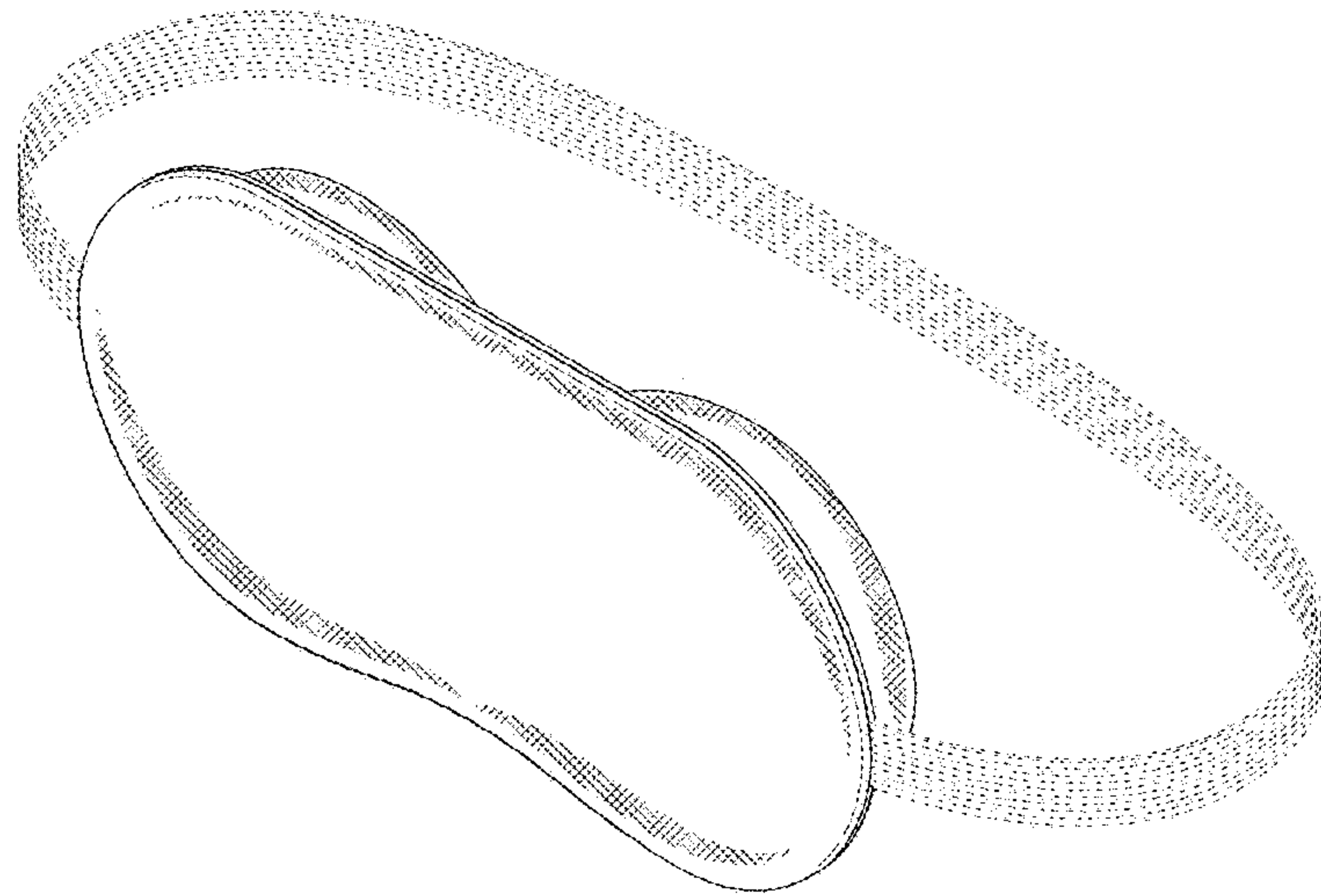


FIG. 1

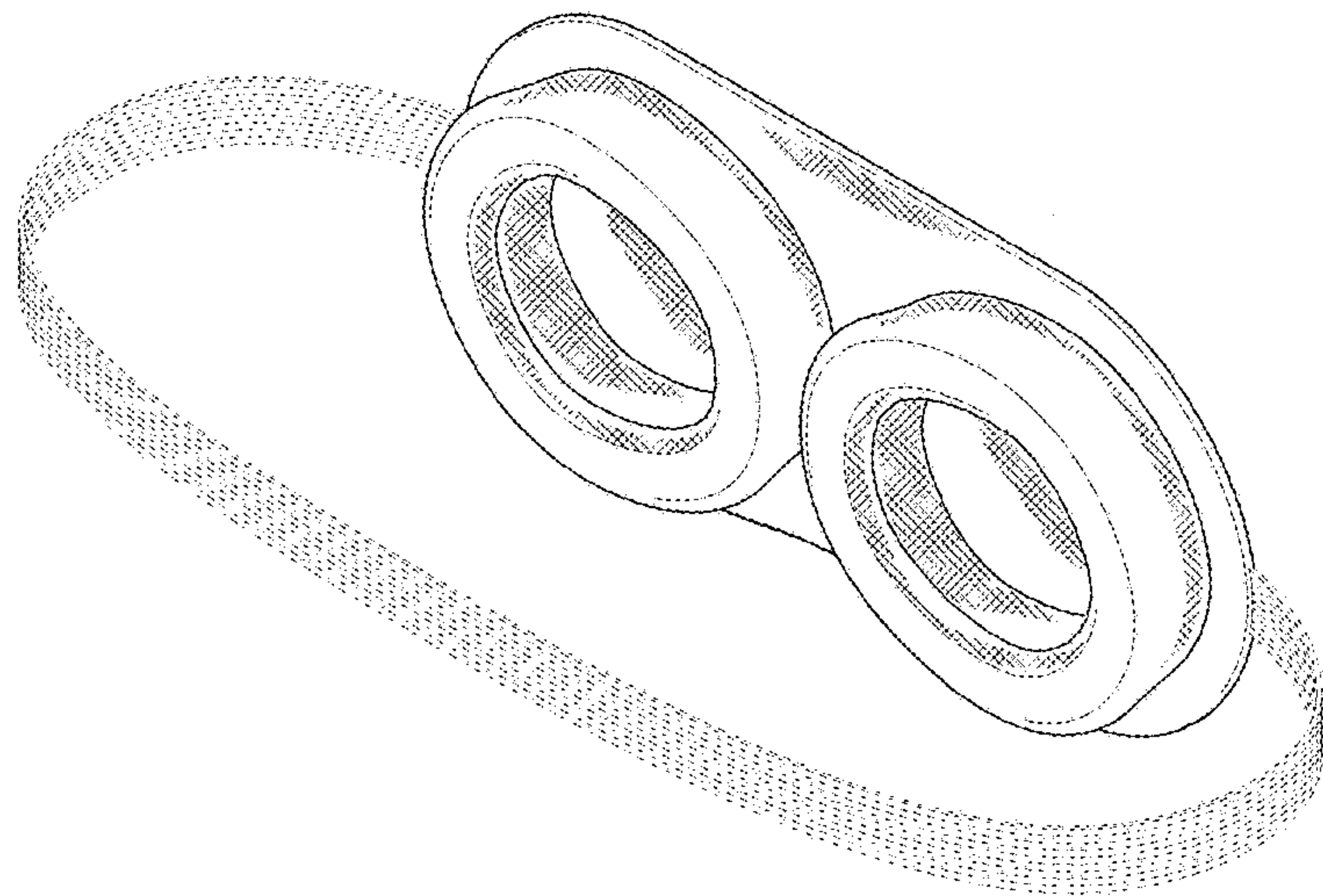


FIG. 2

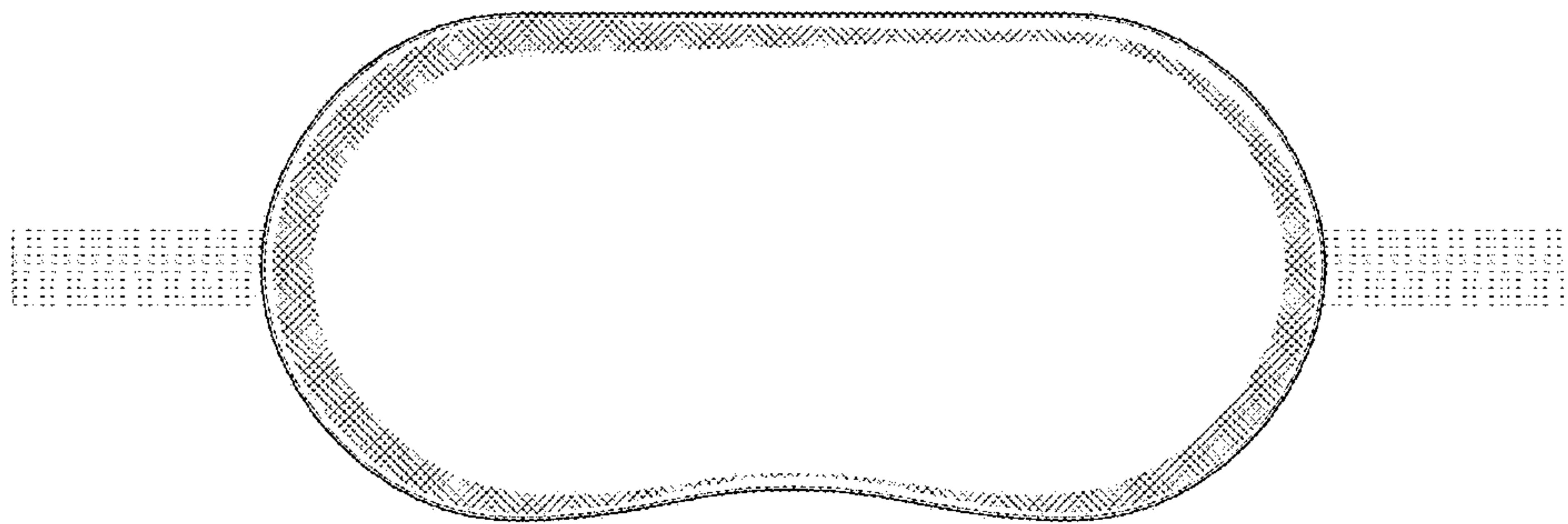


FIG. 3

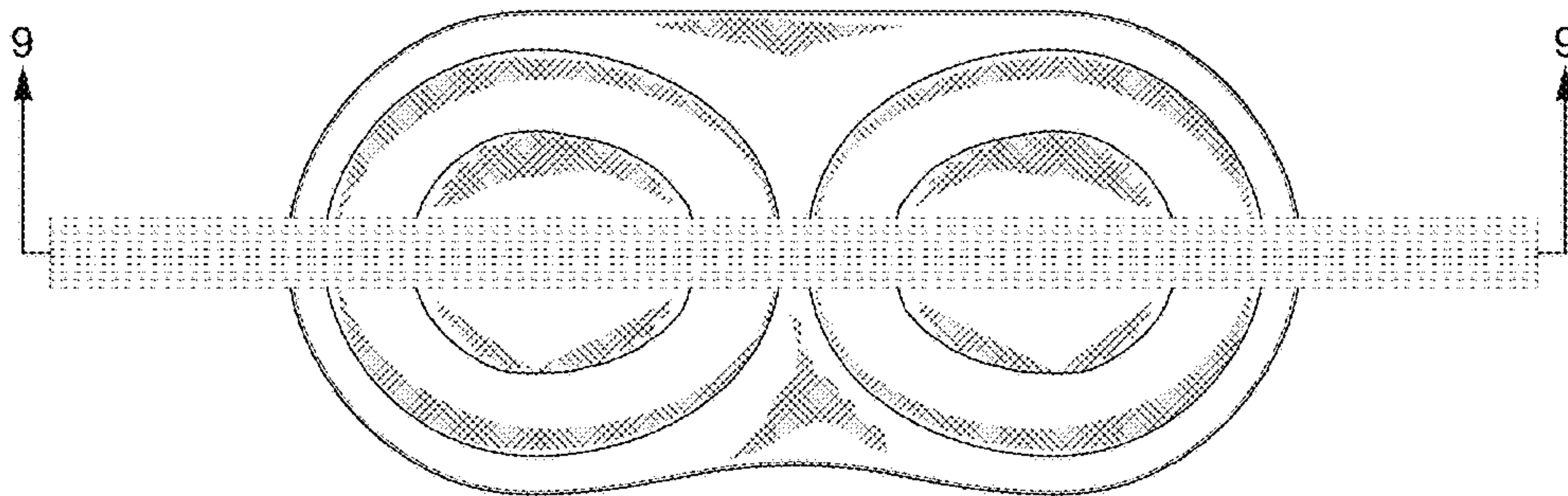


FIG. 4

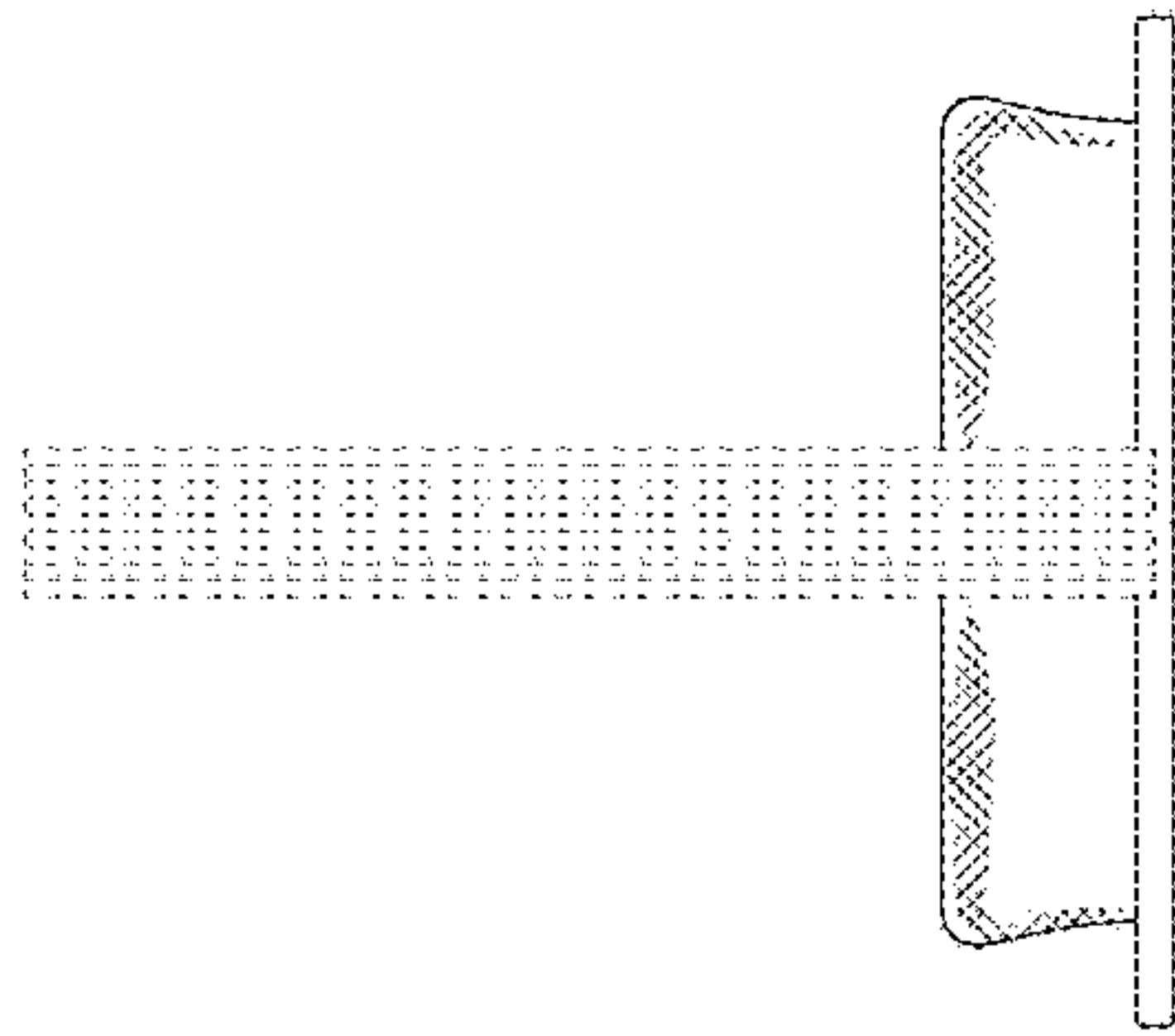


FIG. 5

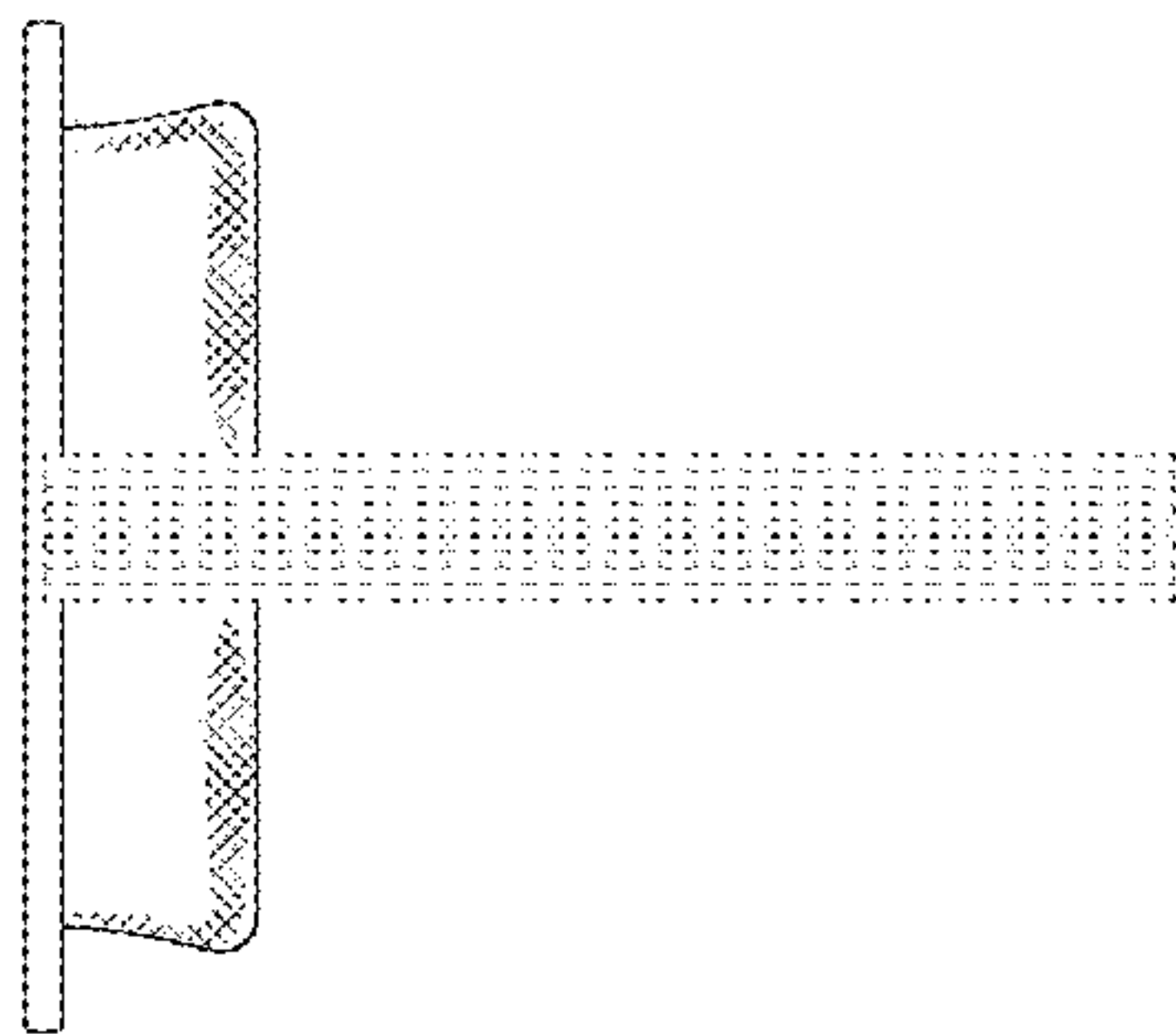


FIG. 6

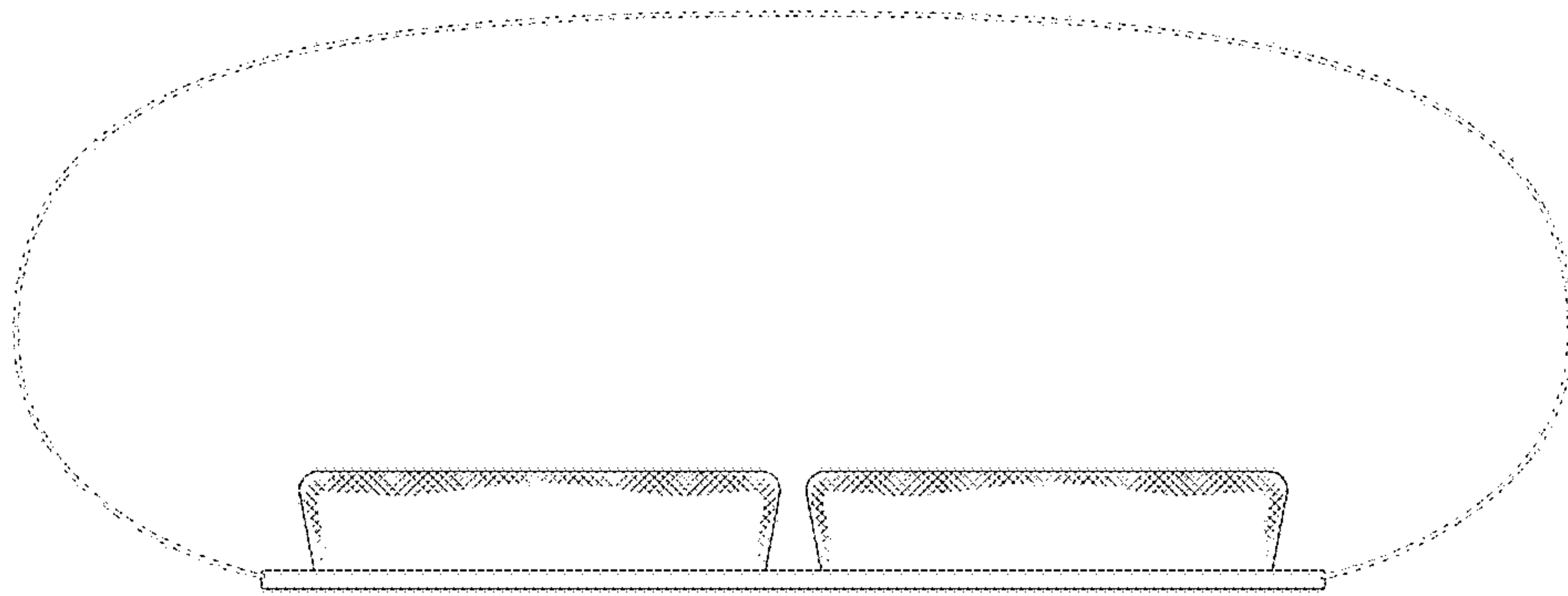


FIG. 7

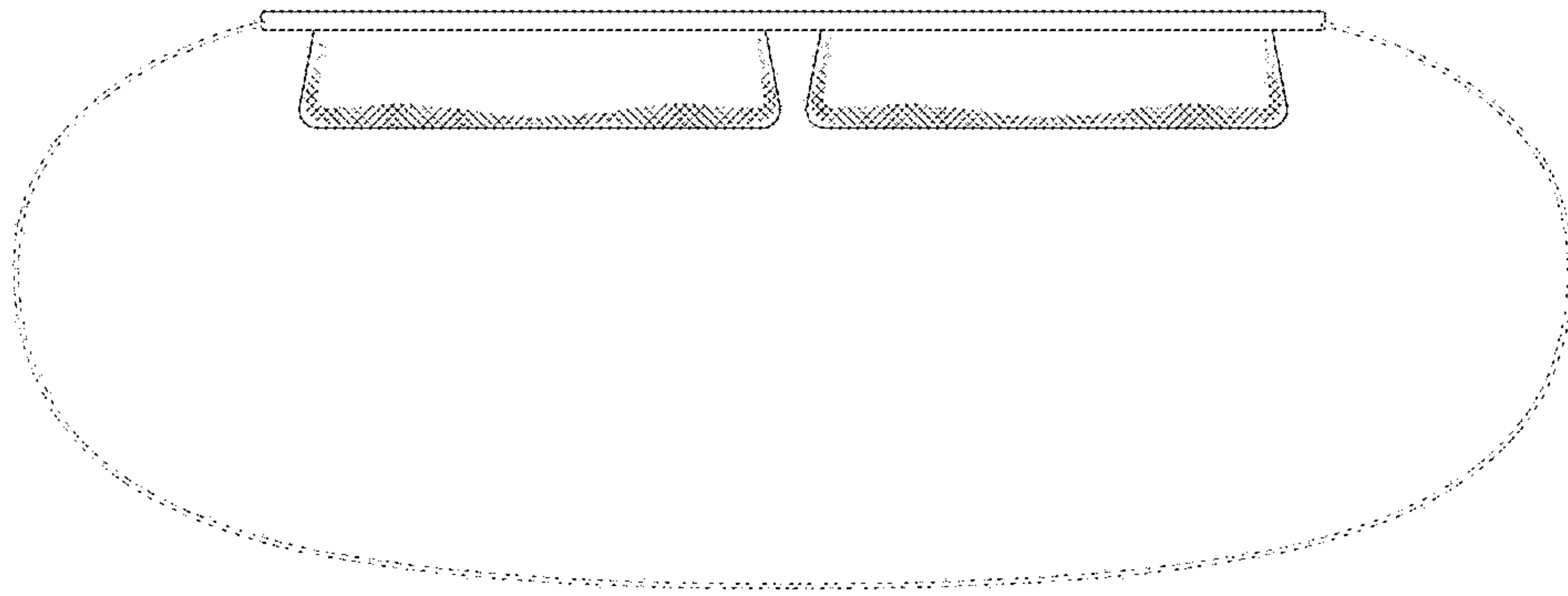


FIG. 8

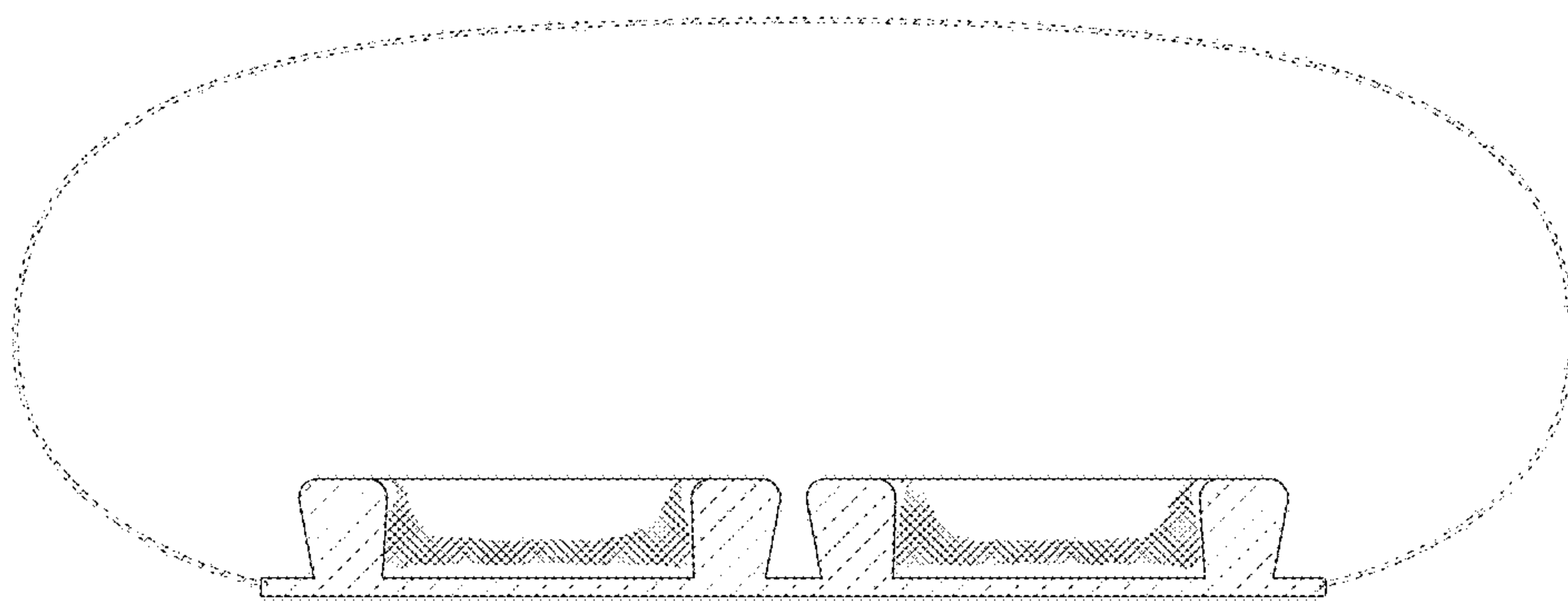


FIG. 9