



US00D854073S

(12) **United States Design Patent**
Gan

(10) **Patent No.:** **US D854,073 S**

(45) **Date of Patent:** **** Jul. 16, 2019**

(54) **PROJECTOR**

(71) Applicant: **Shenzhen Valuelink E-Commerce Co., Ltd.**, Shenzhen, Guangdong (CN)

(72) Inventor: **Qingcao Gan**, Guangdong (CN)

(73) Assignee: **SHENZHEN VALUELINK E-COMMERCE CO., LTD.**, Shenzhen (CN)

(**) Term: **15 Years**

(21) Appl. No.: **29/645,724**

(22) Filed: **Apr. 27, 2018**

(51) **LOC (11) Cl.** **16-02**

(52) **U.S. Cl.**
USPC **D16/230; D16/225**

(58) **Field of Classification Search**
USPC D16/221, 225, 230, 234, 231; D21/514
CPC G03B 21/145; G03B 21/14; G03B 21/001;
G03B 21/003; G03B 21/00; G03B 21/12;
G03B 21/16; G03B 21/142
See application file for complete search history.

(56) **References Cited**

U.S. PATENT DOCUMENTS

D503,733 S *	4/2005	Kurokawa	D16/225
D550,269 S *	9/2007	Salvatori	D16/221
D555,185 S *	11/2007	Nozue	D16/225
D575,811 S *	8/2008	Ohki	D16/225
D608,814 S *	1/2010	Nagase	D16/225
8,104,902 B2 *	1/2012	Mao	G03B 21/16 348/241
D727,996 S *	4/2015	Ogawa	D16/230
D828,431 S *	9/2018	Gan	D16/230
D831,096 S *	10/2018	Gao	D16/230

FOREIGN PATENT DOCUMENTS

CN	304630538	*	10/2017
CN	304647065	*	3/2018
CN	304849027	*	4/2018
JP	D1612245	*	4/2018

OTHER PUBLICATIONS

Vankyo Leisure 3 Mini Projector. Date Dec. 21, 2017. Retrieved on Feb. 6, 2019. Retrieved from the Internet: <https://www.amazon.com/Leisure-Upgraded-Portable-Projector-Cornpatible/dp/B078KF8CSX>.*

XuanPad Mini Projector. Date Apr. 13, 20218. Retrieved on Feb. 6, 2019. Retrieved from the Internet: <https://www.amazon.co.uk/XuanPad-Projector-Portable-video-projector-Multimedia-M8-F-1/dp/B07GBVNQ6Q>.*

* cited by examiner

Primary Examiner — Wan Laymon

(74) *Attorney, Agent, or Firm* — Hauptman Ham, LLP

(57) **CLAIM**

The ornamental design for a projector, as shown and described.

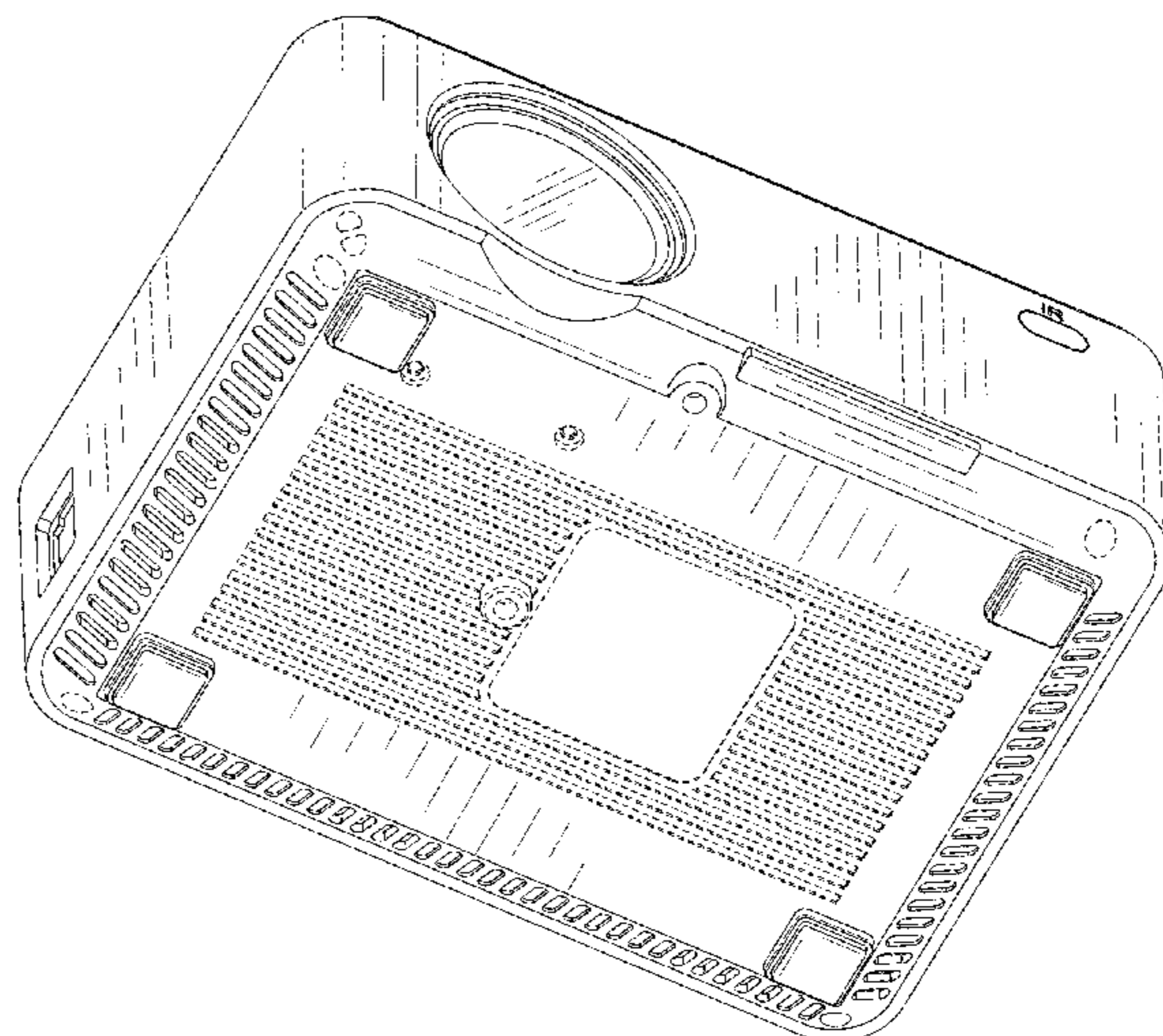
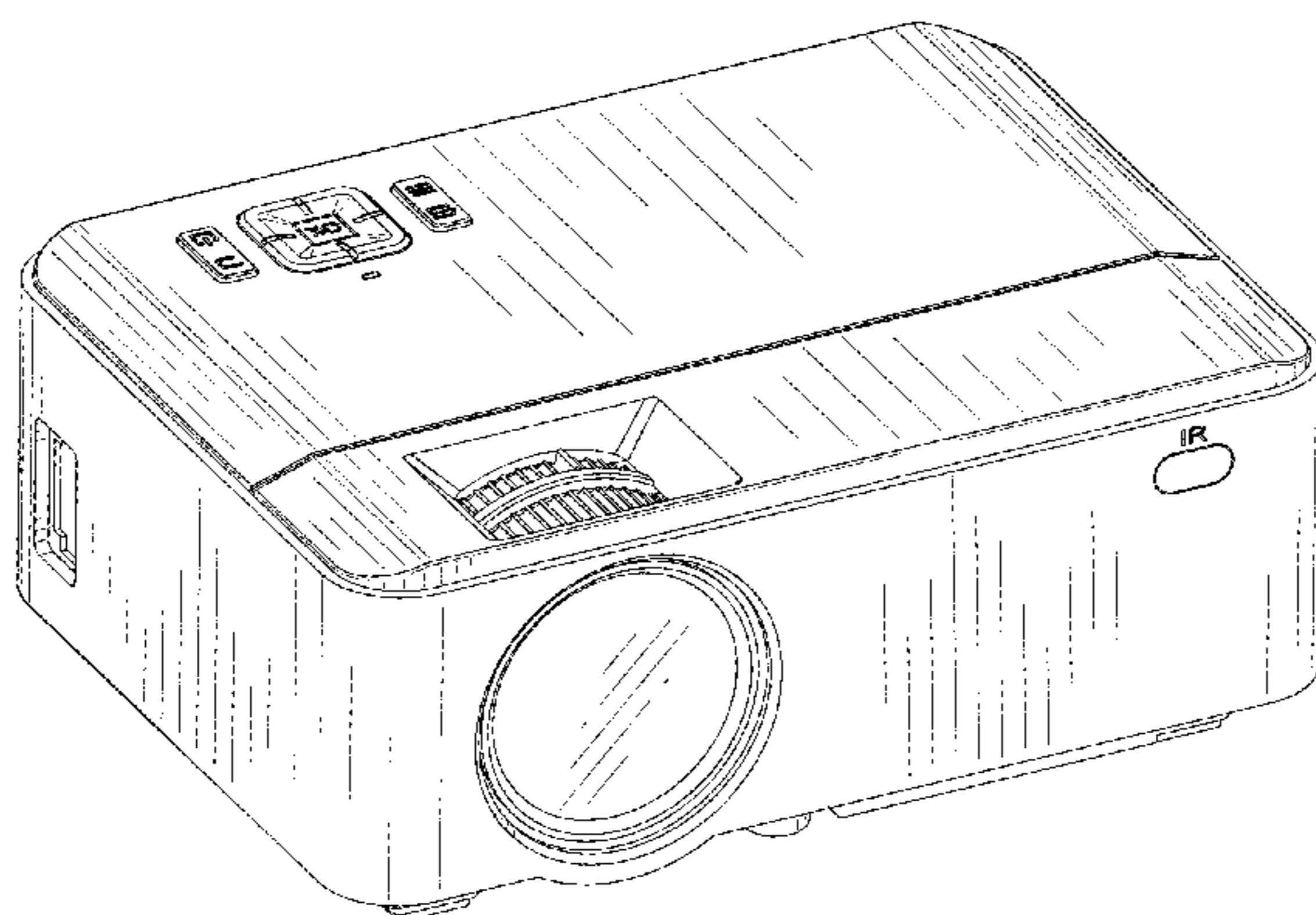
DESCRIPTION

FIG. 1 is a front view of a projector showing the new design; FIG. 2 is a rear view thereof; FIG. 3 is a left side view thereof; FIG. 4 is a right side view thereof; FIG. 5 is a top side view thereof; FIG. 6 is a bottom side view thereof; FIG. 7 is a perspective view of front top and left side thereof; FIG. 8 is a perspective view of front top and right side thereof; and, FIG. 9 is a perspective view of front bottom and left side thereof.

The broken lines shown in the figures are included for the purpose of illustrating portions of the projector and form no part of the claimed design.

The shade lines in the Figures show contour and not surface ornamentation.

1 Claim, 7 Drawing Sheets



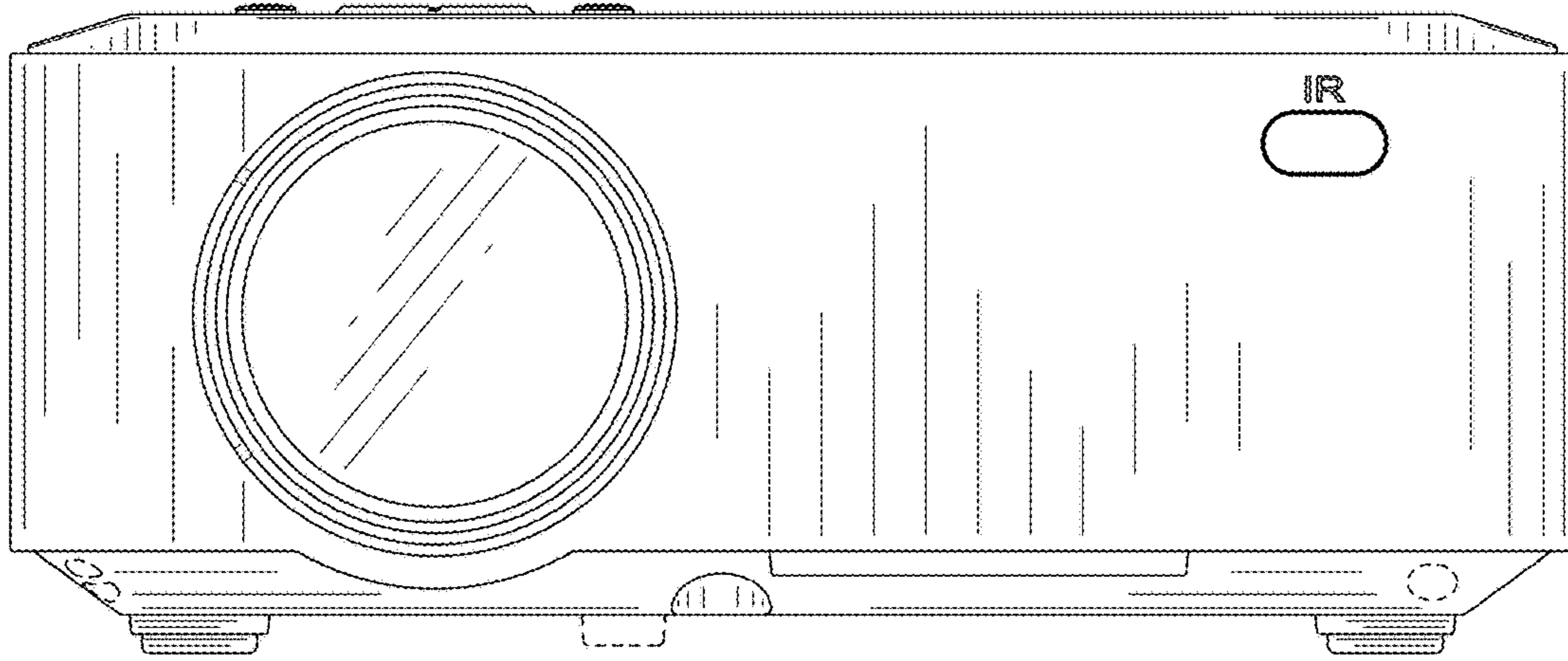


FIG. 1

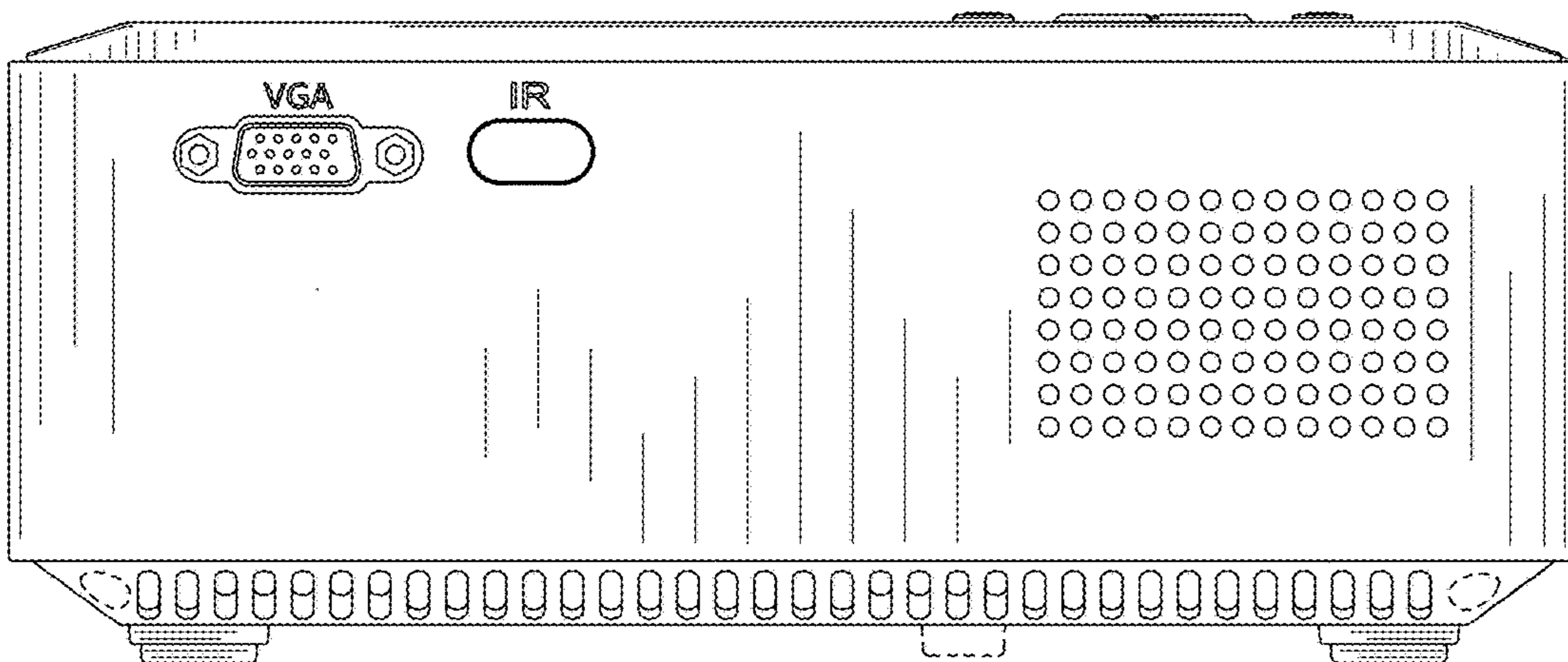


FIG. 2

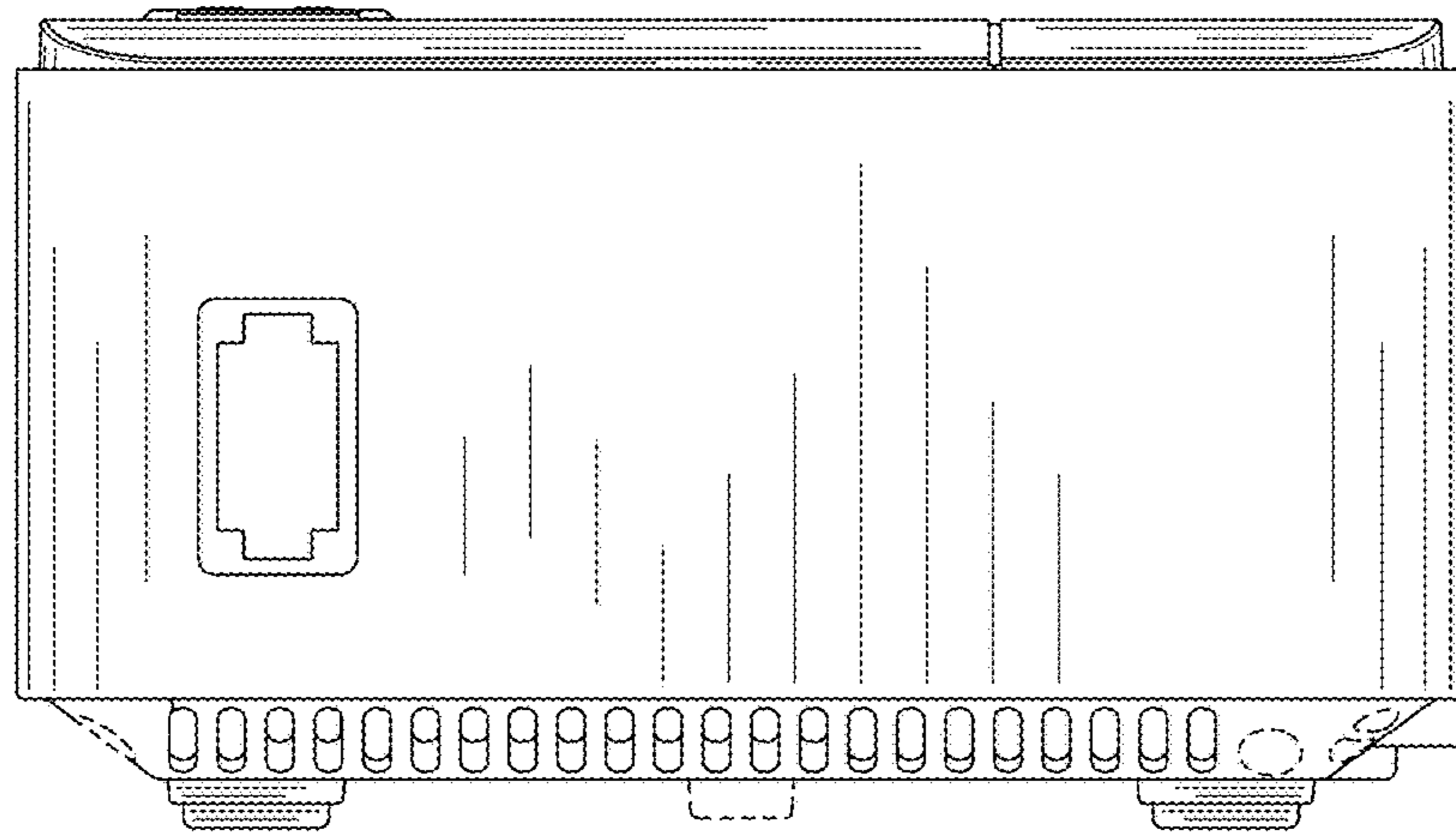


FIG.3

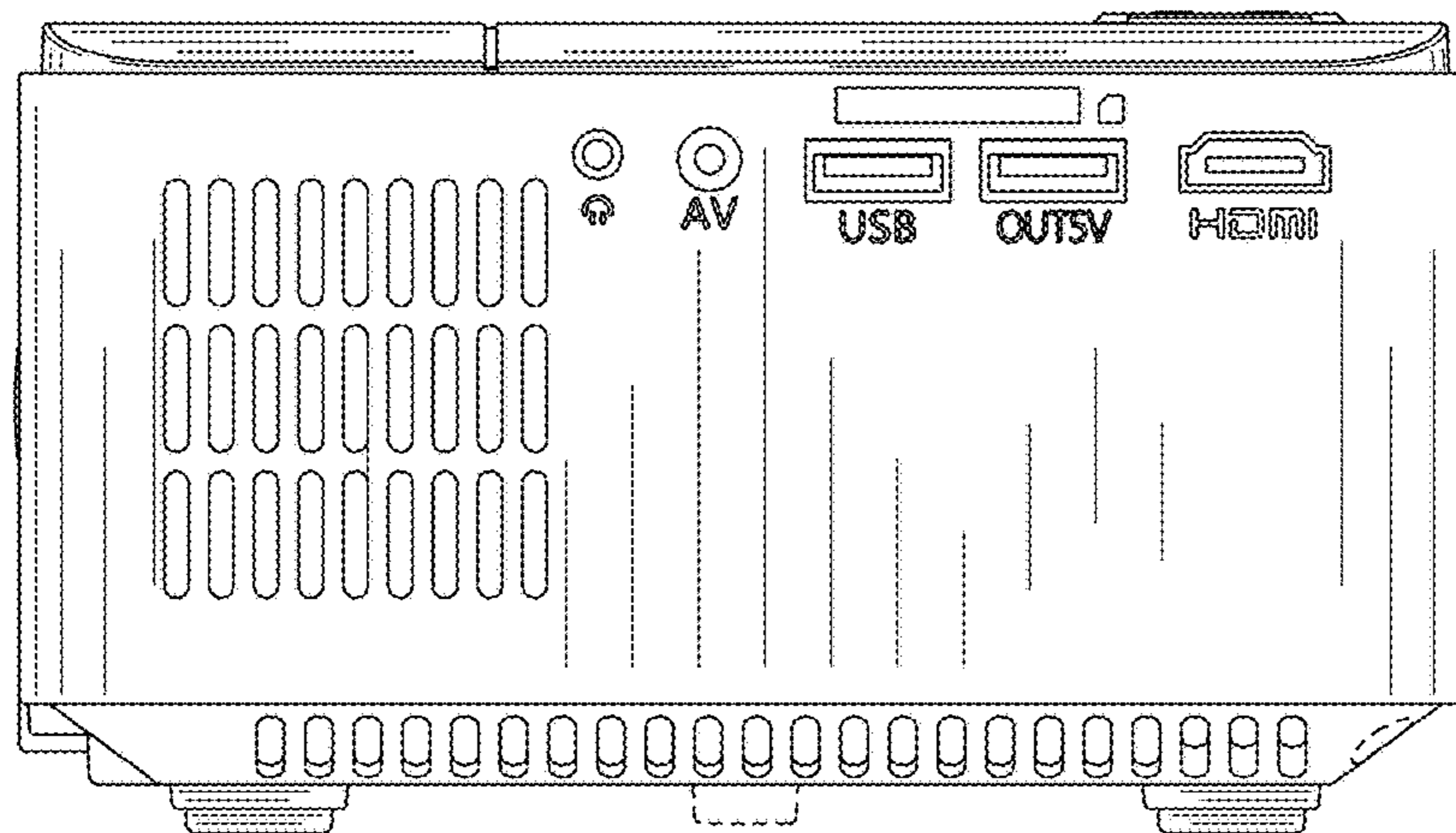


FIG.4

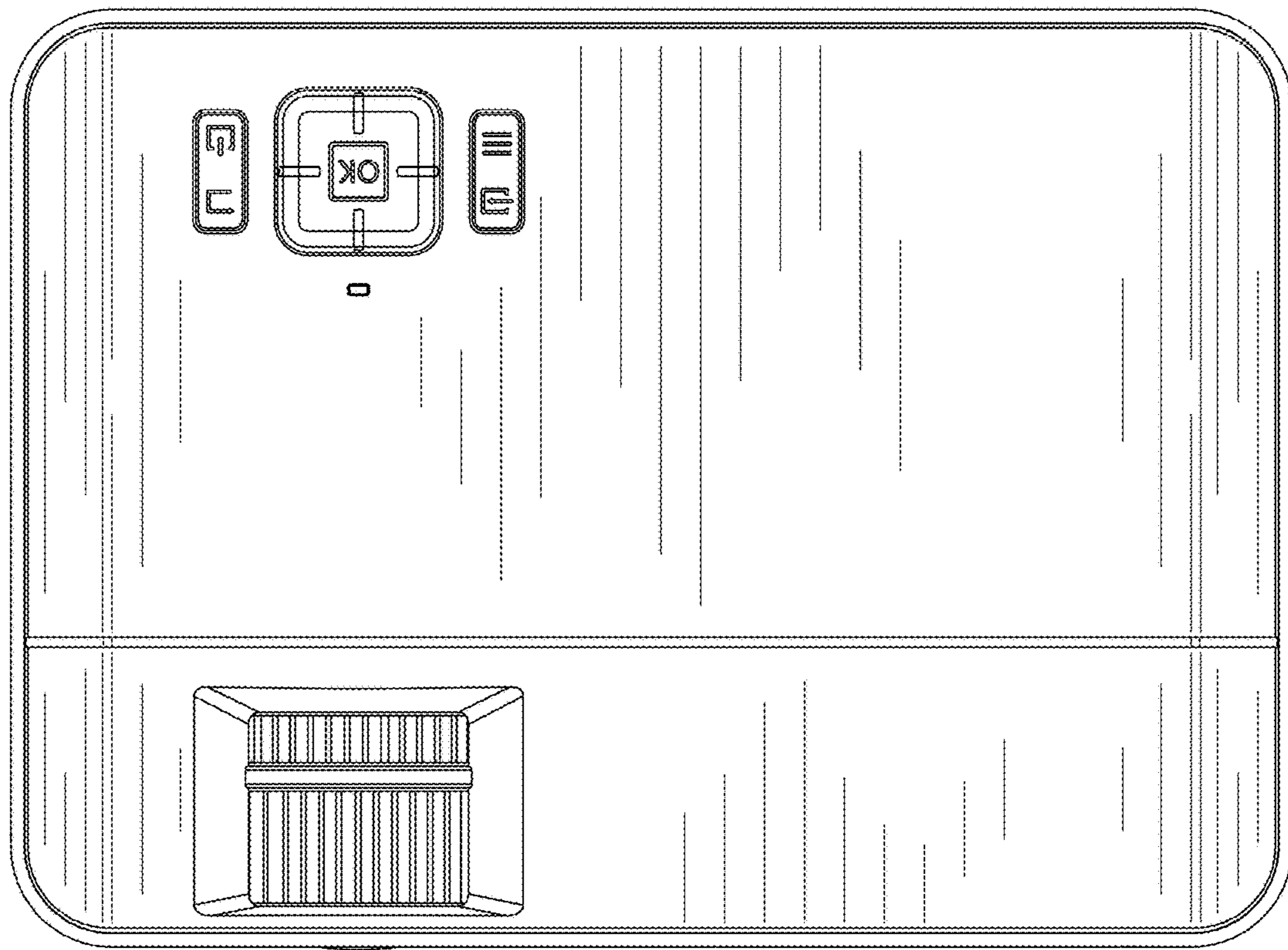


FIG. 5

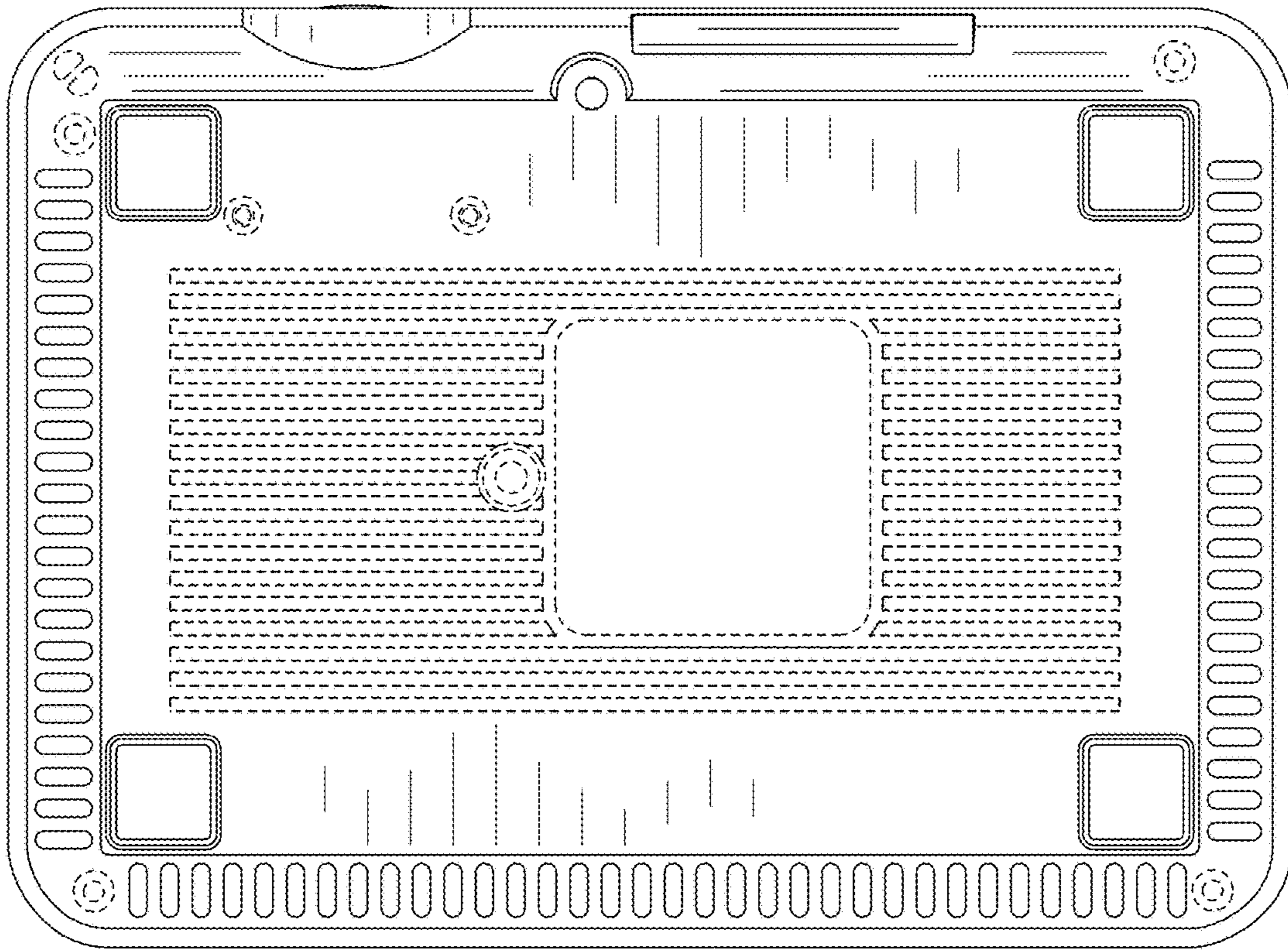


FIG.6

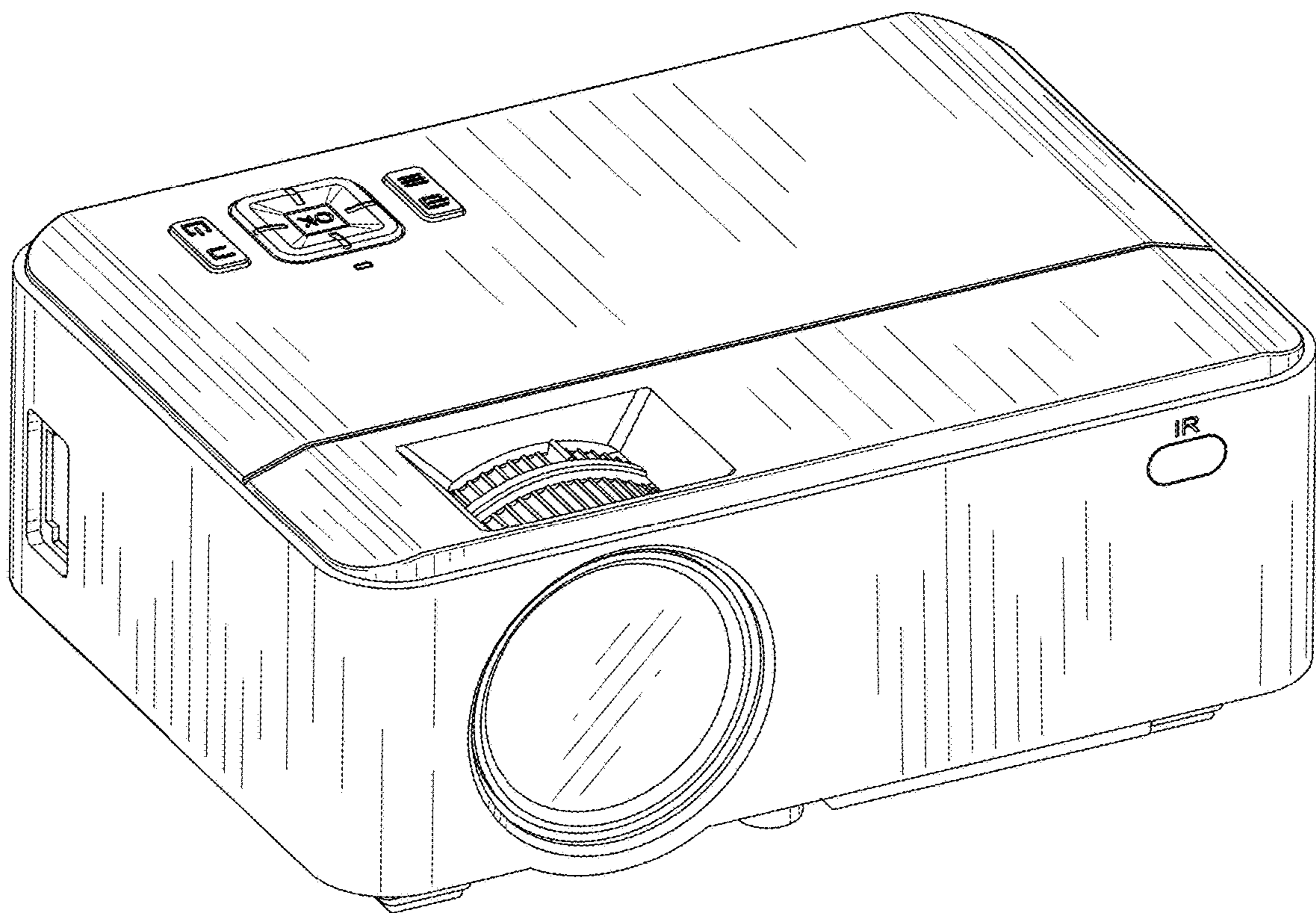


FIG.7

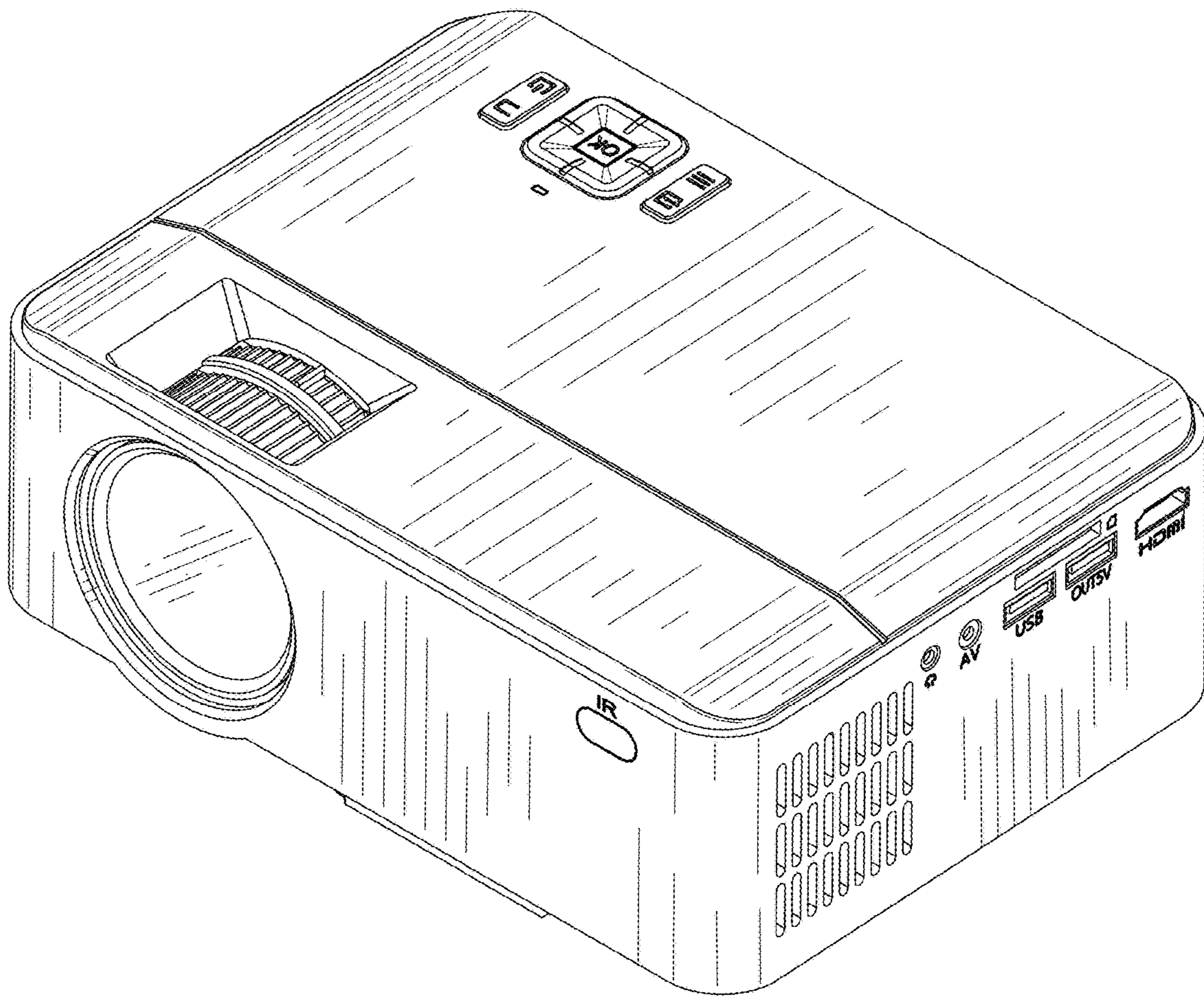


FIG.8

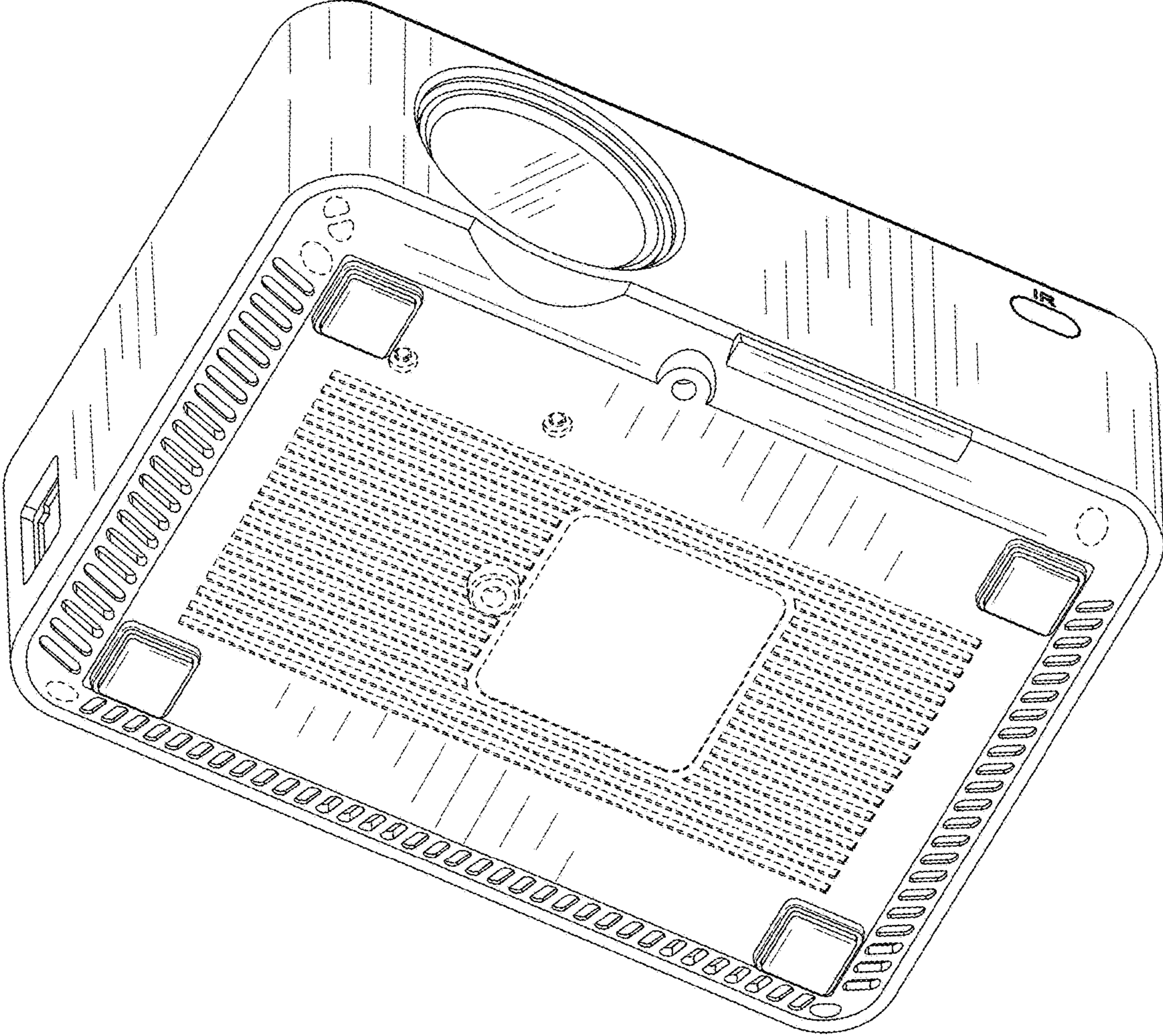


FIG.9