



US00D854072S

(12) **United States Design Patent**  
**Gan**

(10) **Patent No.:** **US D854,072 S**

(45) **Date of Patent:** **\*\* Jul. 16, 2019**

(54) **PROJECTOR**

(71) Applicant: **Shenzhen Valuelink E-Commerce Co., Ltd.**, Shenzhen, Guangdong (CN)

(72) Inventor: **Qingcao Gan**, Guangdong (CN)

(73) Assignee: **SHENZHEN VALUELINK E-COMMERCE CO., LTD.**, Shenzhen (CN)

(\*\*) Term: **15 Years**

(21) Appl. No.: **29/645,718**

(22) Filed: **Apr. 27, 2018**

(51) **LOC (11) Cl.** ..... **16-02**

(52) **U.S. Cl.**  
USPC ..... **D16/230; D16/225**

(58) **Field of Classification Search**  
USPC ..... D16/221, 225, 230, 234, 231; D21/514  
CPC .... G03B 21/145; G03B 21/14; G03B 21/001;  
G03B 21/003; G03B 21/00; G03B 21/12;  
G03B 21/16; G03B 21/142  
See application file for complete search history.

(56) **References Cited**

**U.S. PATENT DOCUMENTS**

D503,733 S *	4/2005	Kurokawa	.....	D16/225
D550,269 S *	9/2007	Salvatori	.....	D16/221
D555,185 S *	11/2007	Nozue	.....	D16/225
D575,811 S *	8/2008	Ohki	.....	D16/225
D608,814 S *	1/2010	Nagase	.....	D16/225
8,104,902 B2 *	1/2012	Mao	.....	G03B 21/16 348/241
D727,996 S *	4/2015	Ogawa	.....	D16/230
D828,431 S *	9/2018	Gan	.....	D16/230
D831,096 S *	10/2018	Gao	.....	D16/230

**FOREIGN PATENT DOCUMENTS**

CN	304630538	*	10/2017
CN	304647065	*	3/2018
CN	304849027	*	4/2018
JP	D1612245	*	4/2018

**OTHER PUBLICATIONS**

Vankyo Leisure 3 Mini Projector. Date Dec. 21, 2017. Retrieved on Feb. 6, 2019. Retrieved from the Internet: <https://www.amazon.com/Leisure-Upgraded-Portable-Projector-Compatible/dp/B078KF8CSX>.\*

XuanPad Mini Projector. Date Apr. 13, 2018. Retrieved on Feb. 6, 2019. Retrieved from the Internet: <https://www.amazon.co.uk/XuanPad-Projector-Portable-video-projector-Multimedia-M8-F-1/dp/B07GBVNQ6Q>.\*

\* cited by examiner

*Primary Examiner* — Wan Laymon

(74) *Attorney, Agent, or Firm* — Hauptman Ham, LLP

(57) **CLAIM**

The ornamental design for a projector, as shown and described.

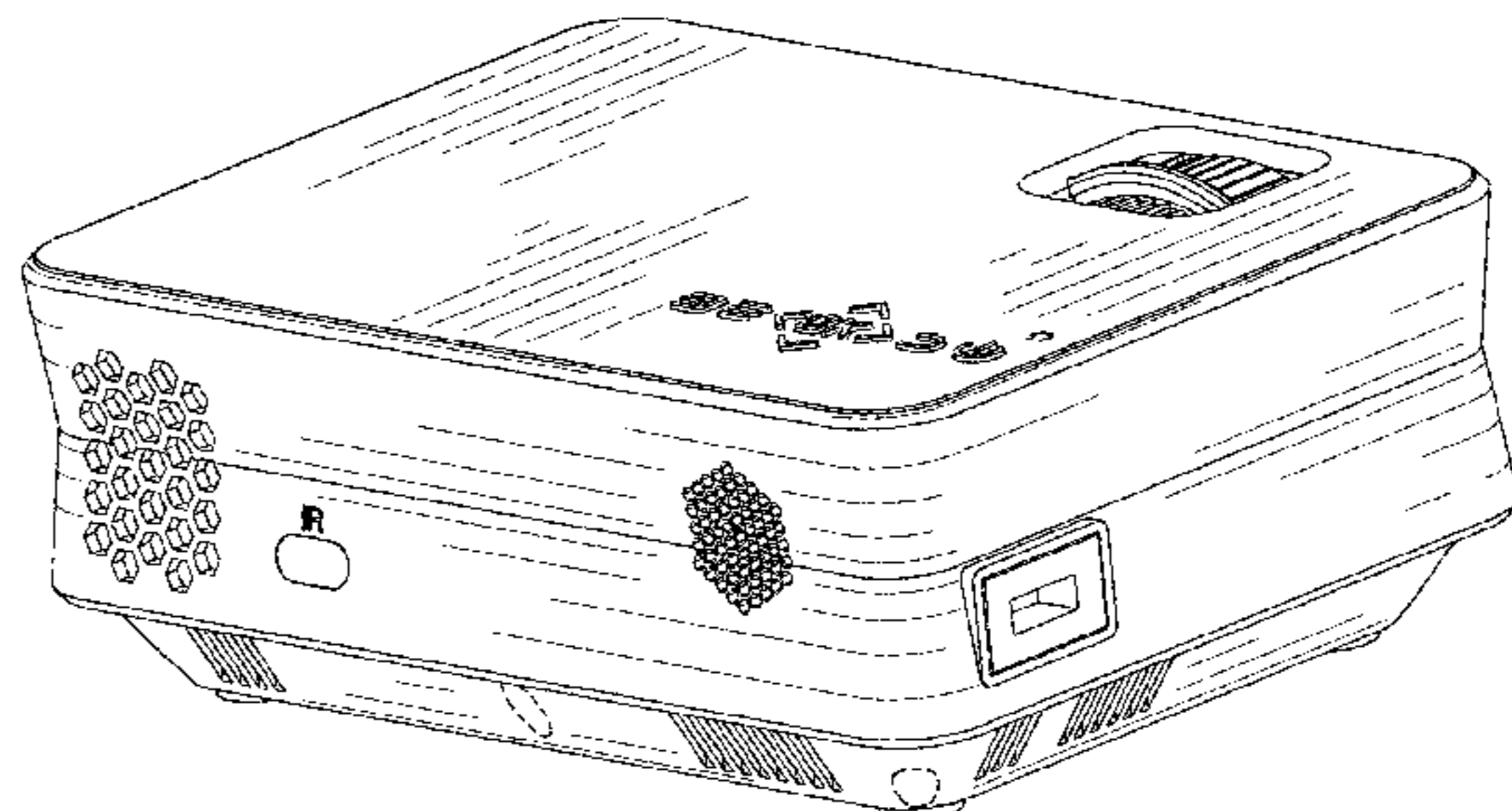
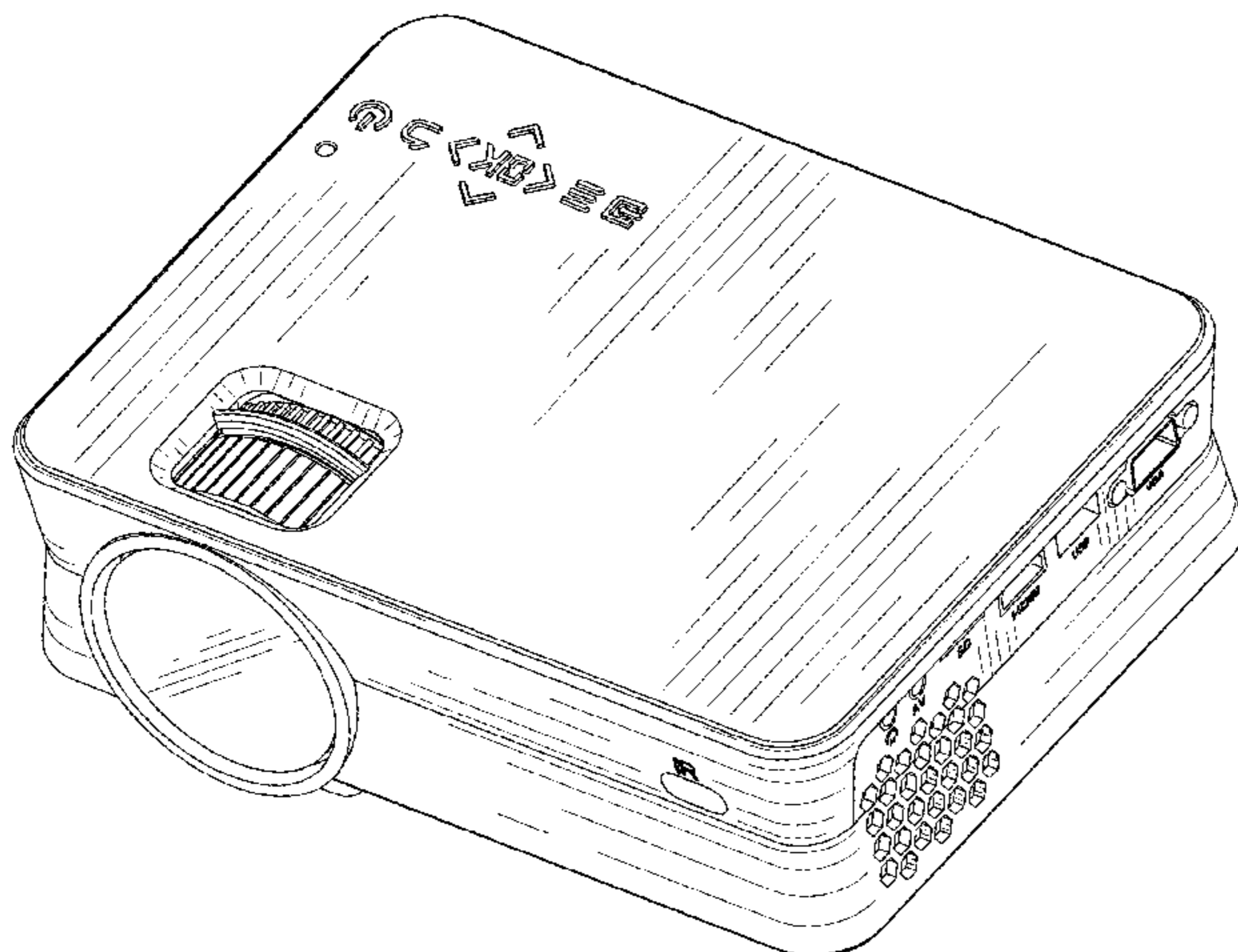
**DESCRIPTION**

FIG. 1 is a front view of a projector showing the new design; FIG. 2 is a rear view thereof; FIG. 3 is a left side view thereof; FIG. 4 is a right side view thereof; FIG. 5 is a top side view thereof; FIG. 6 is a bottom side view thereof; FIG. 7 is a perspective view of front top and right side thereof; FIG. 8 is a perspective view of rear top and left side thereof; and, FIG. 9 is a perspective view of front bottom and left side thereof.

The broken lines shown in the figures are included for the purpose of illustrating portions of the projector and form no part of the claimed design.

The shade lines in the Figures show contour and not surface ornamentation.

**1 Claim, 7 Drawing Sheets**



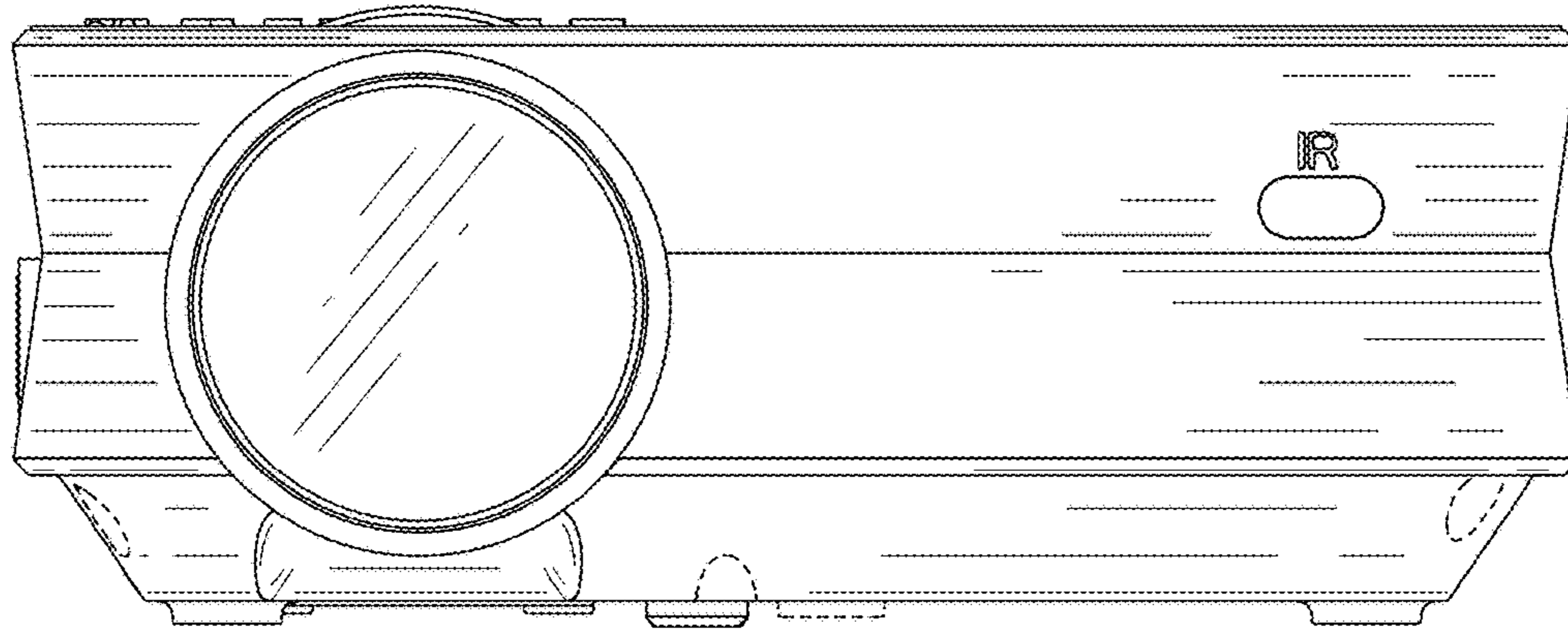


FIG. 1

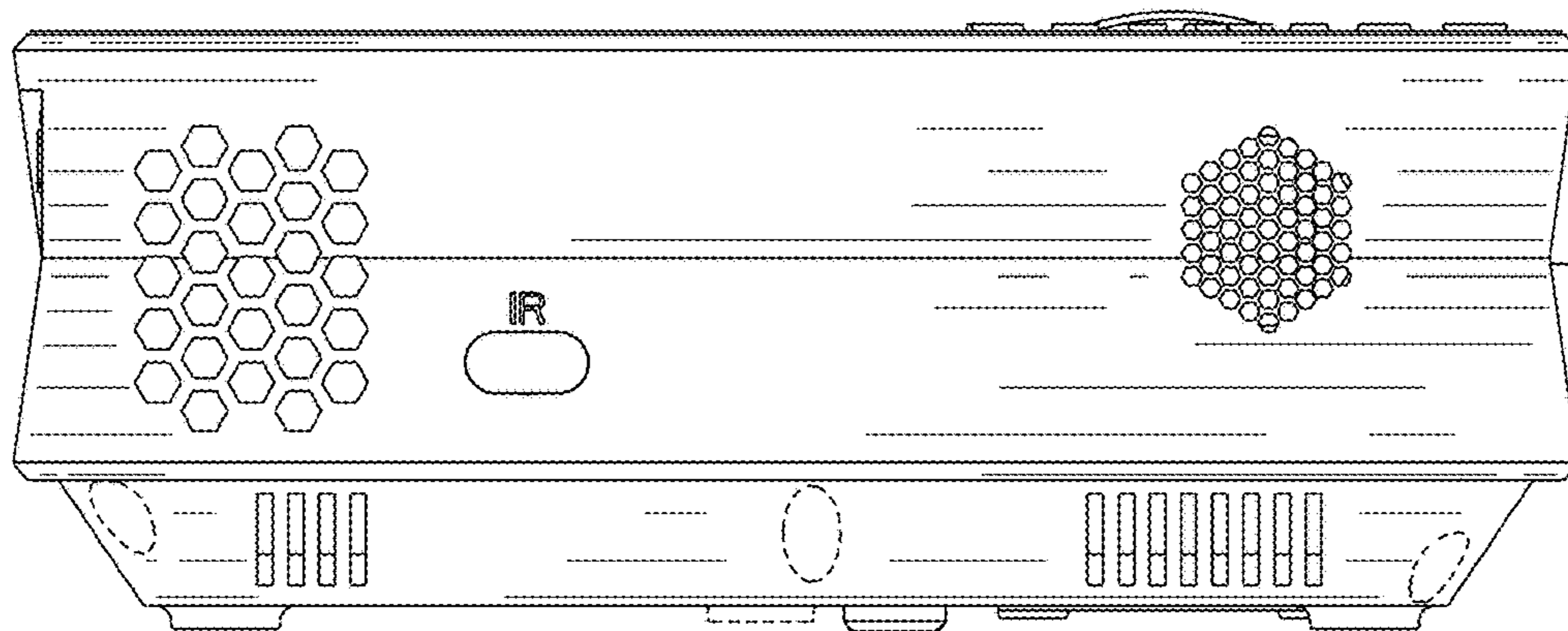


FIG. 2

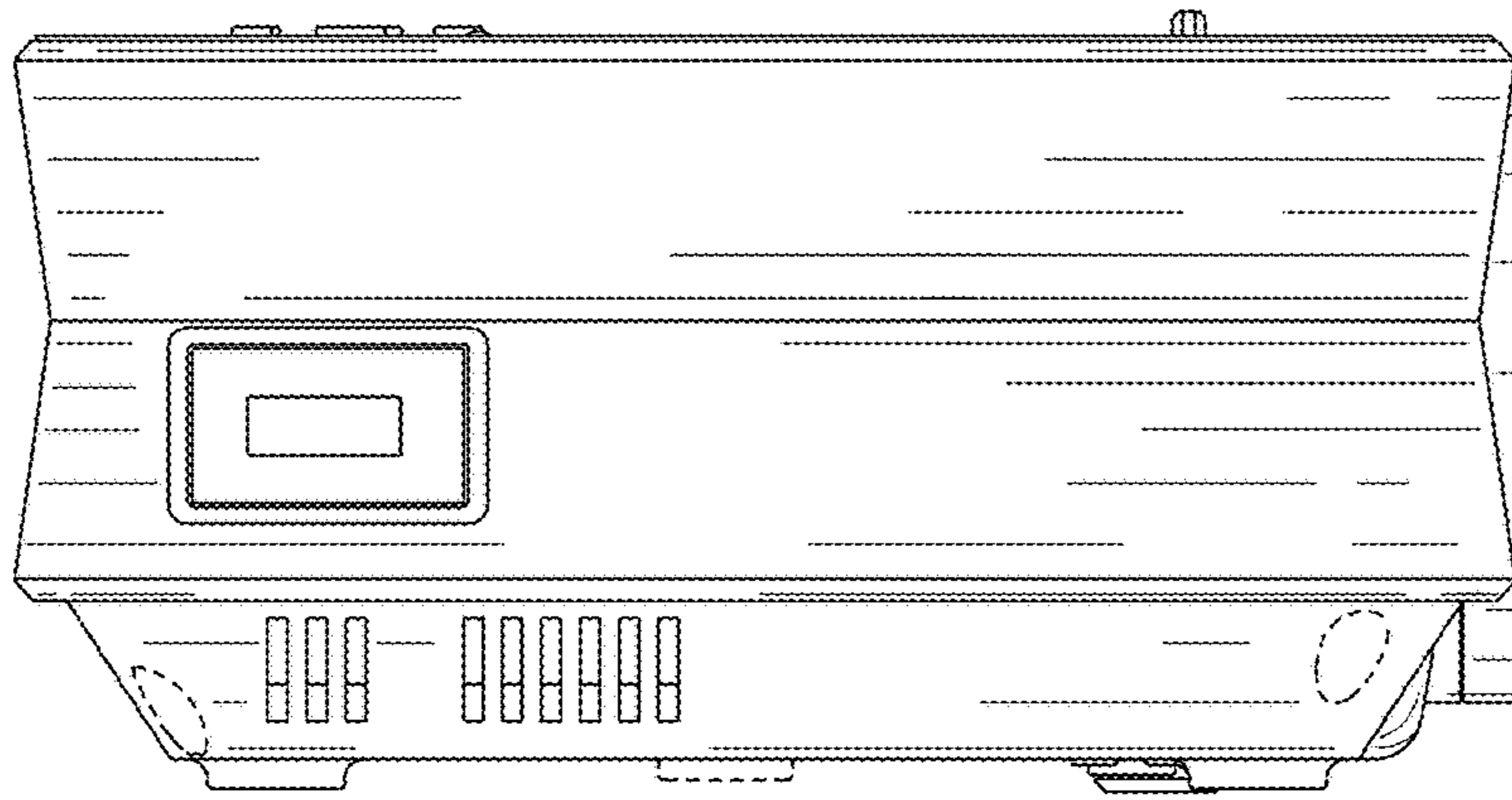


FIG. 3

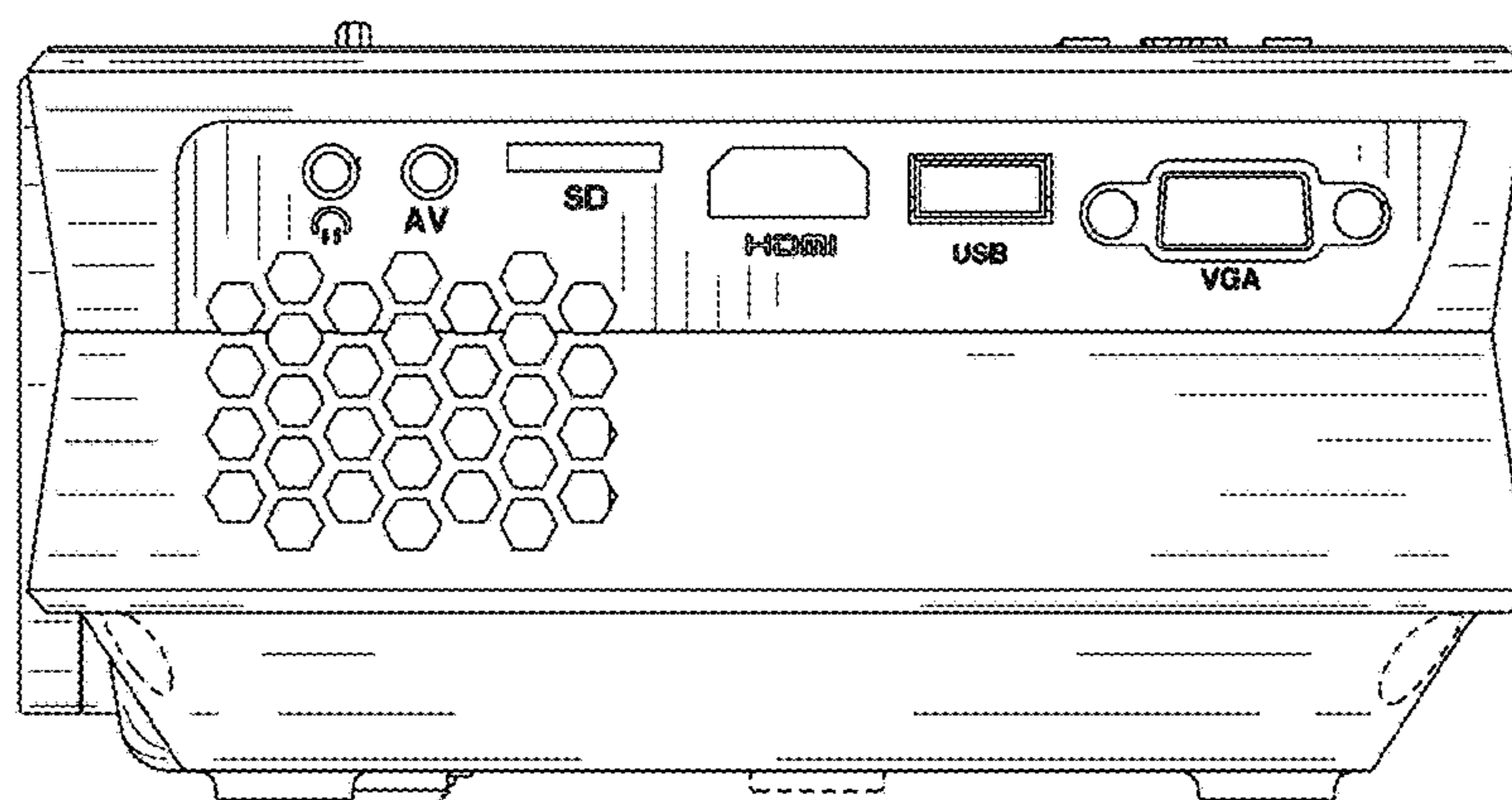


FIG. 4



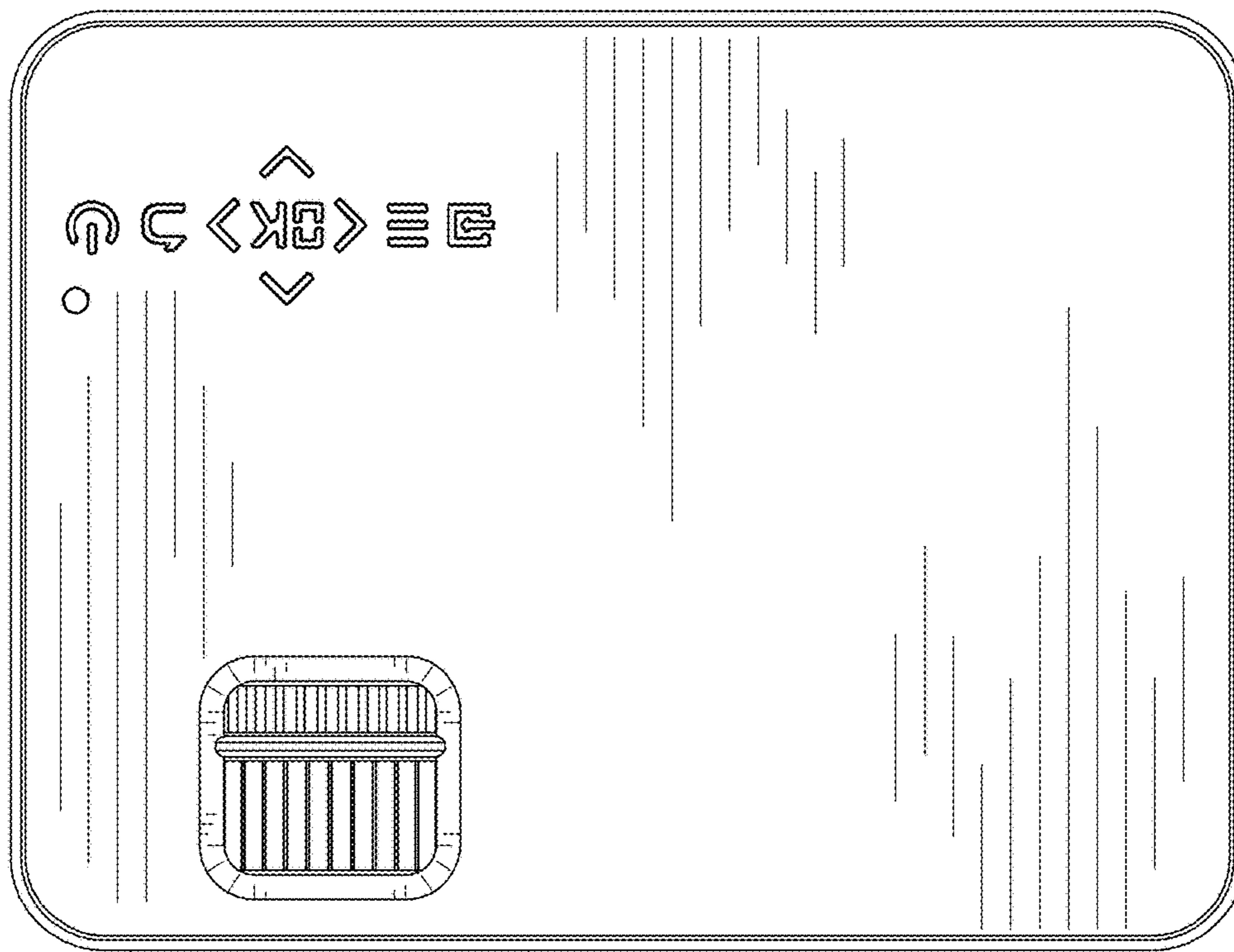


FIG. 5

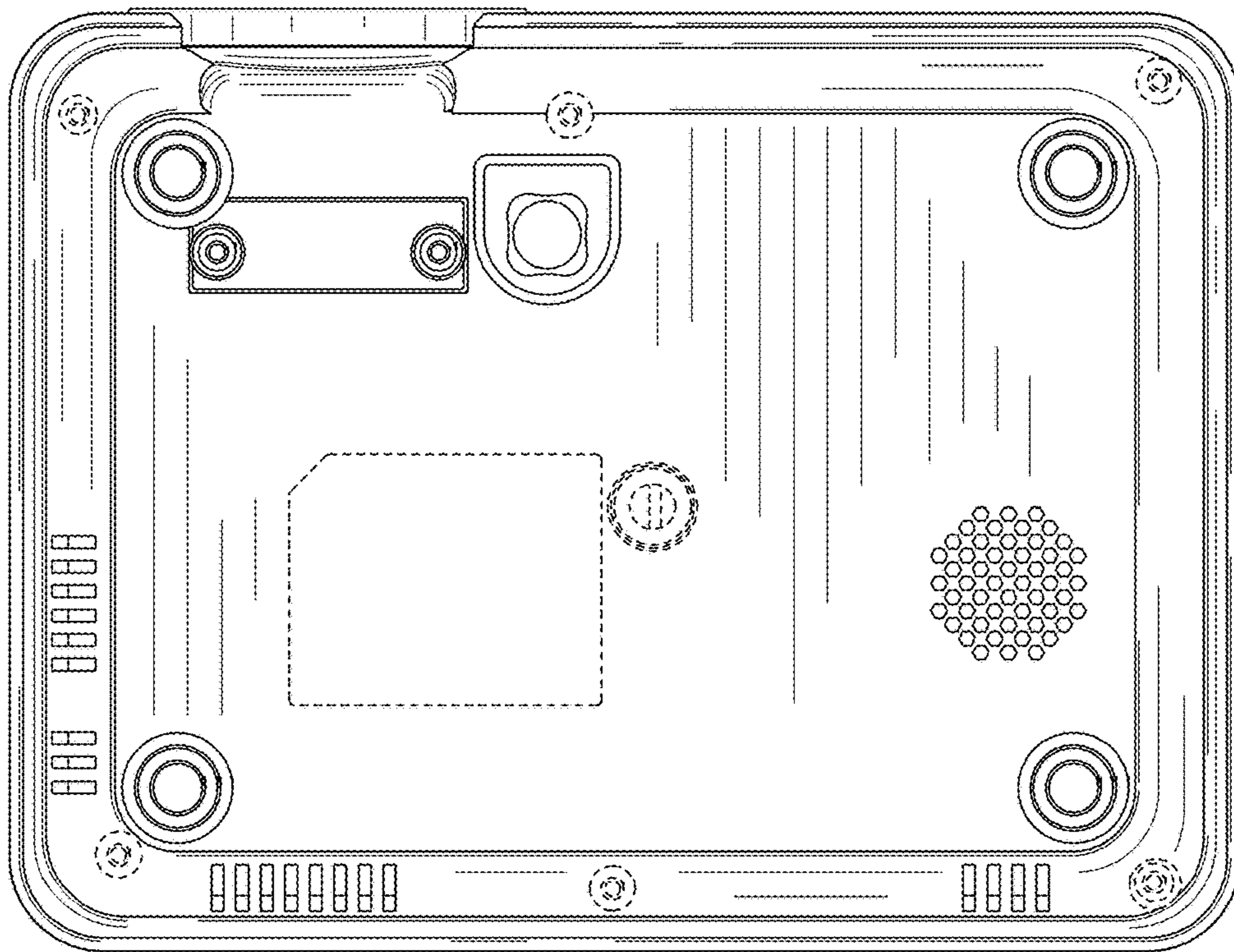


FIG. 6

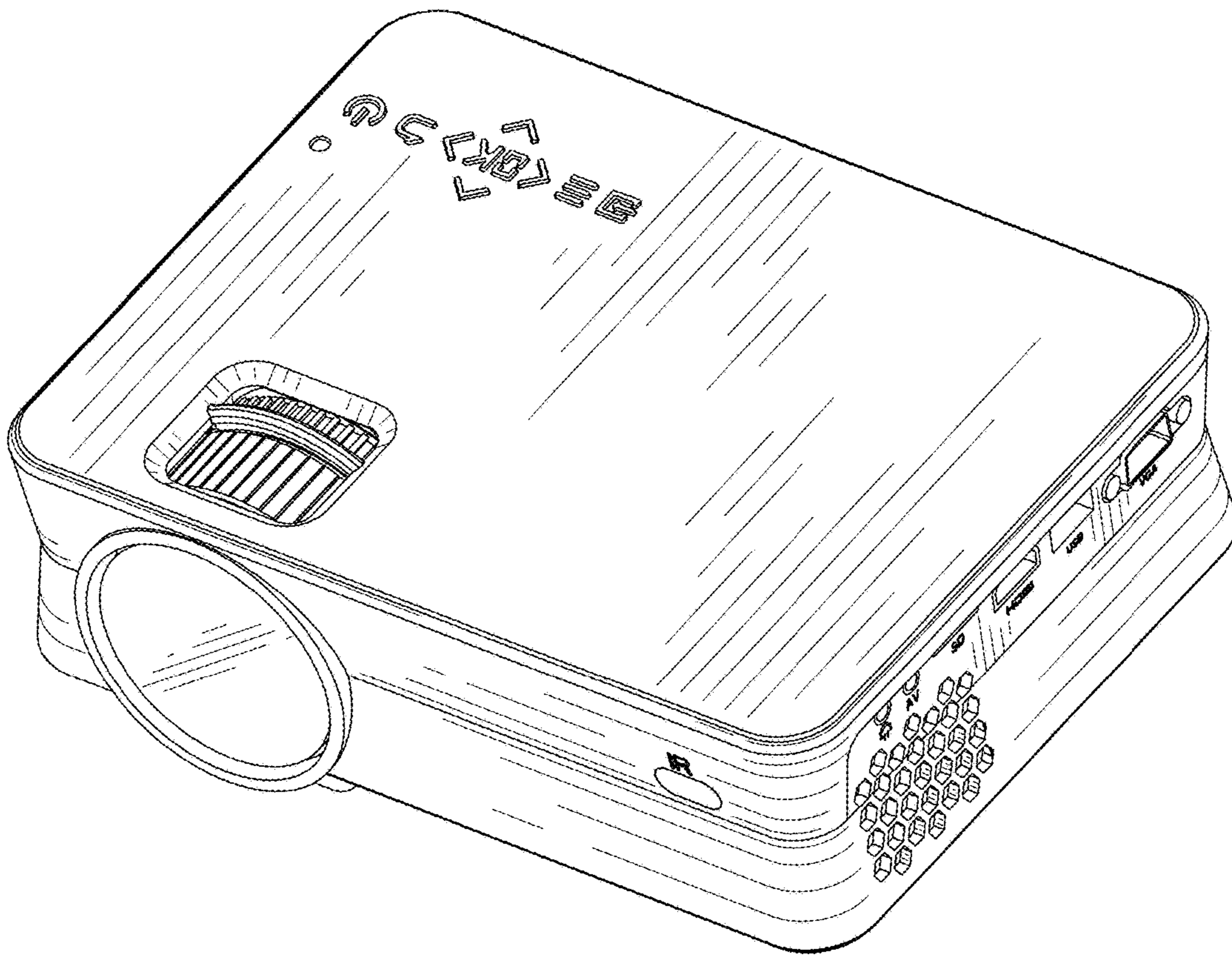


FIG.7

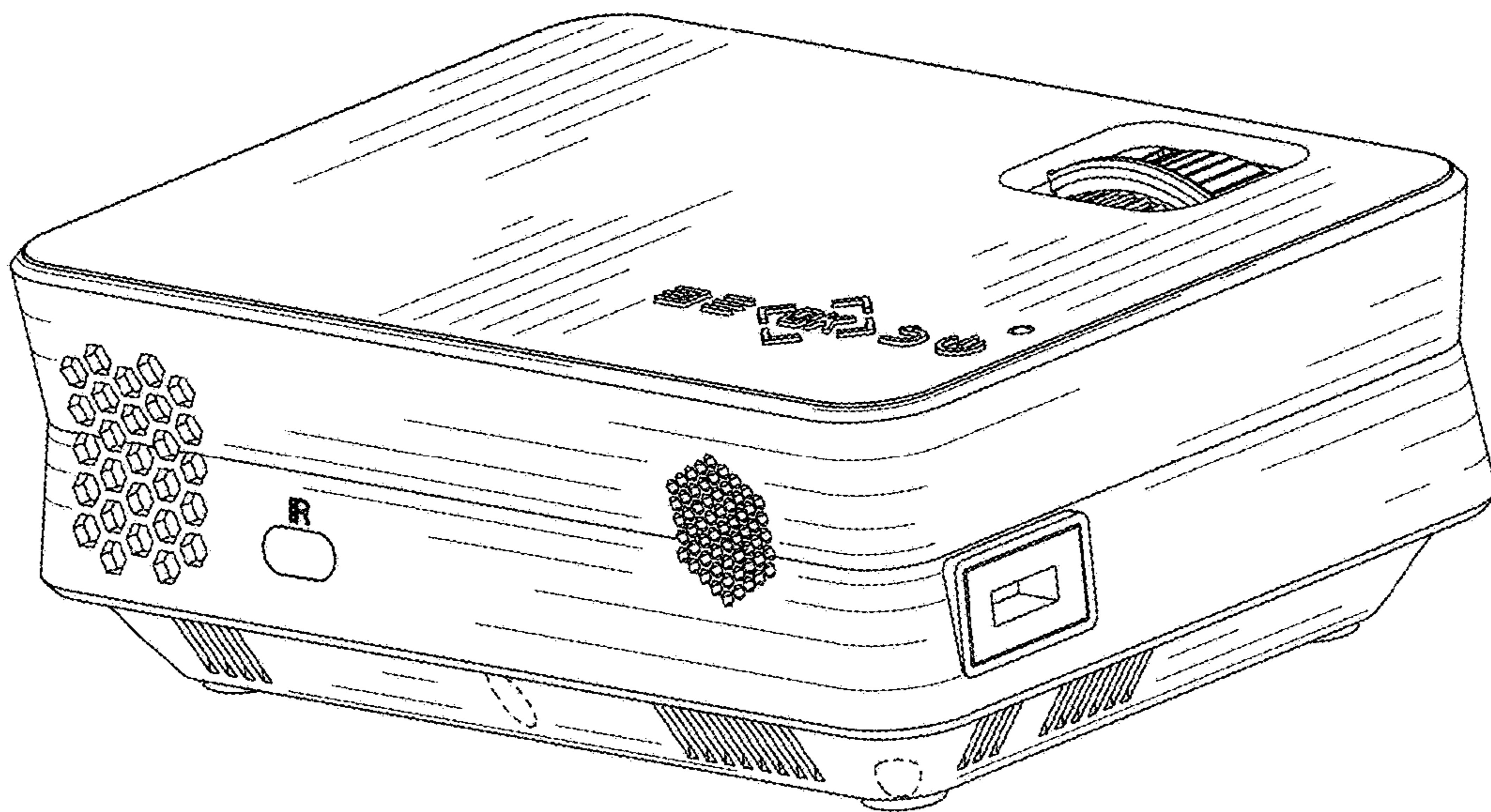


FIG.8



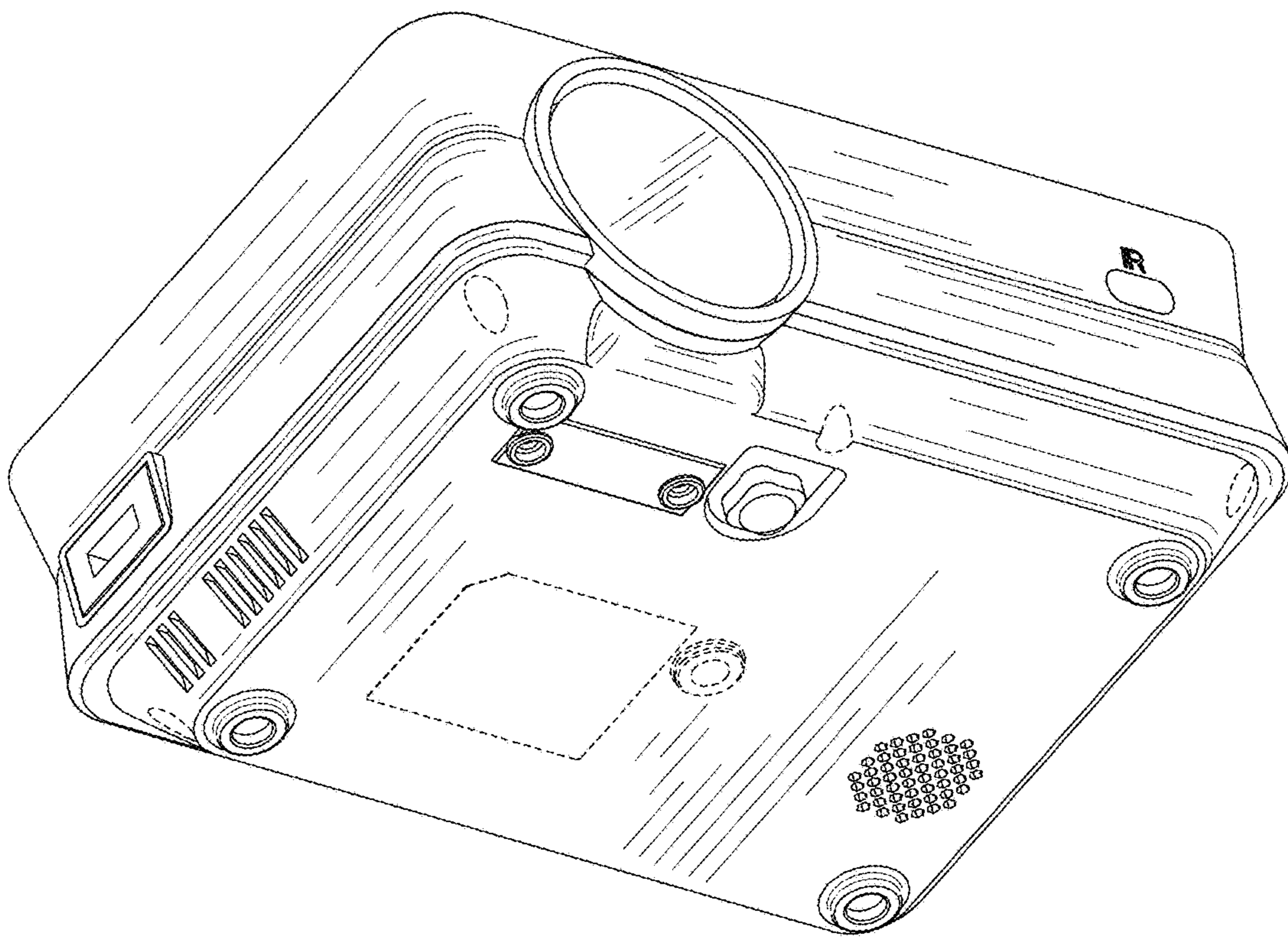


FIG.9