



US00D854071S

(12) **United States Design Patent** (10) **Patent No.:** **US D854,071 S**
Chen et al. (45) **Date of Patent:** **** Jul. 16, 2019**

(54) **PROJECTOR**

(71) Applicant: **APPOTRONICS CORPORATION LIMITED**, Shenzhen (CN)

(72) Inventors: **Bo Chen**, Shenzhen (CN); **Yi Li**, Pleasanton, CA (US)

(73) Assignee: **APPOTRONICS CORPORATION LIMITED**, Shenzhen (CN)

(**) Term: **15 Years**

(21) Appl. No.: **29/611,996**

(22) Filed: **Jul. 27, 2017**

(30) **Foreign Application Priority Data**

Feb. 8, 2017 (CN) 2017 3 0034465

(51) **LOC (11) Cl.** **16-02**

(52) **U.S. Cl.**
USPC **D16/230**

(58) **Field of Classification Search**
USPC D16/221, 225, 230-231, 234; D21/514; 353/119
CPC G03B 21/14; G03B 21/145; G03B 21/12; G03B 21/00; G03B 21/001; G03B 21/003
See application file for complete search history.

(56) **References Cited**

U.S. PATENT DOCUMENTS

D647,941 S * 11/2011 Yuyama D16/225
D717,358 S * 11/2014 Go D16/230

D734,381 S * 7/2015 Georges D16/230
D744,576 S * 12/2015 Masuda D16/225
D801,411 S * 10/2017 Lee D16/230
2013/0128240 A1 * 5/2013 Yoshida G03B 21/14 353/85

FOREIGN PATENT DOCUMENTS

CN 304184816 * 1/2017
CN 304477412 * 8/2017
JP D1602127 * 1/2018

* cited by examiner

Primary Examiner — Wan Laymon

(74) *Attorney, Agent, or Firm* — Chen Yoshimura LLP

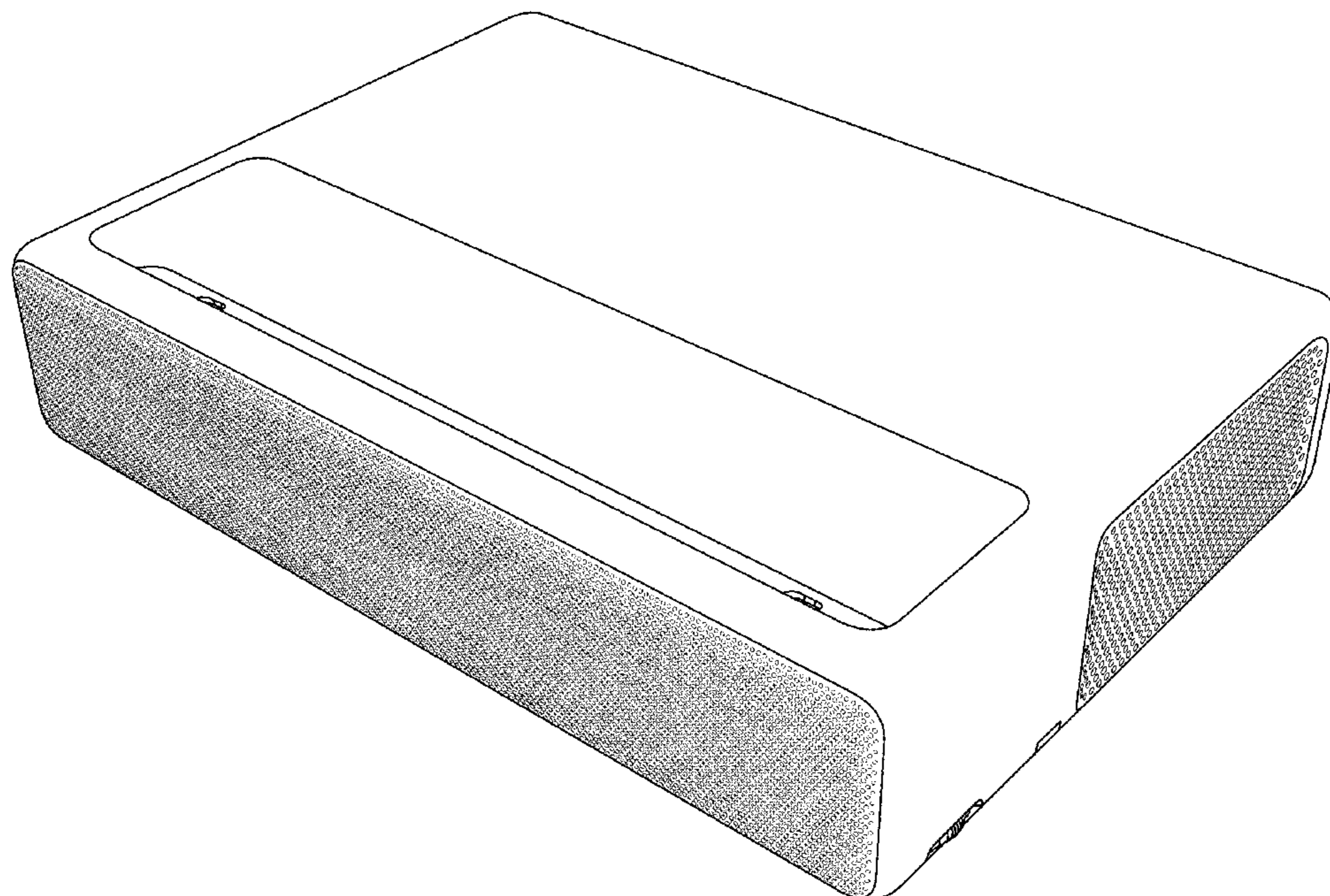
(57) **CLAIM**

The ornamental design for a projector, as shown and described.

DESCRIPTION

FIG. 1 is a front, top and right side perspective view of a projector showing our new design;
FIG. 2 is a front elevational view thereof;
FIG. 3 is a rear elevational view thereof;
FIG. 4 is a left side elevational view thereof;
FIG. 5 is a right side elevational view thereof;
FIG. 6 is a top plan view thereof; and,
FIG. 7 is a bottom plan view thereof.
The broken lines showing various features of the projector are included for the purpose of illustrating environmental structures, and form no part of the claimed design.

1 Claim, 5 Drawing Sheets



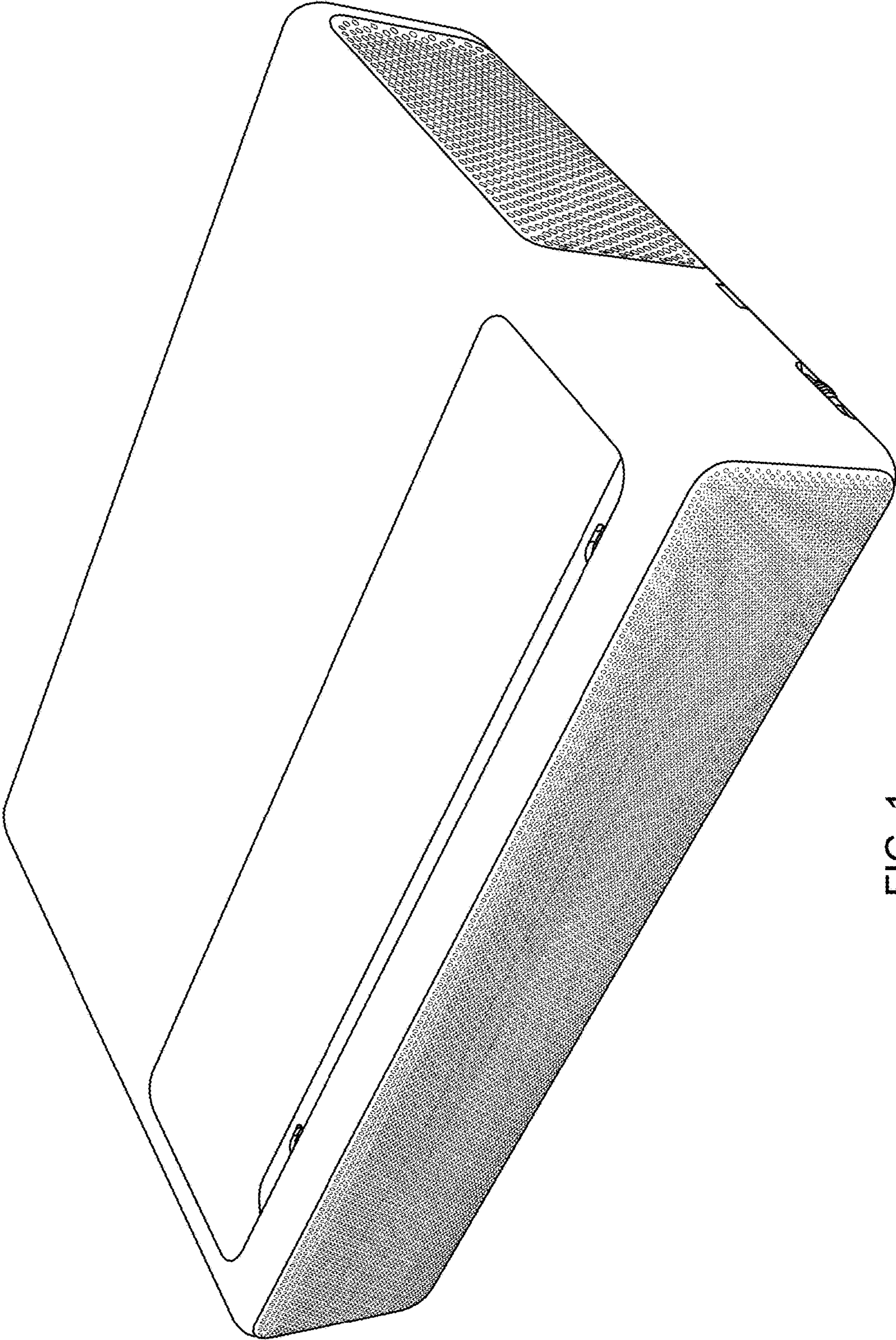


FIG. 1

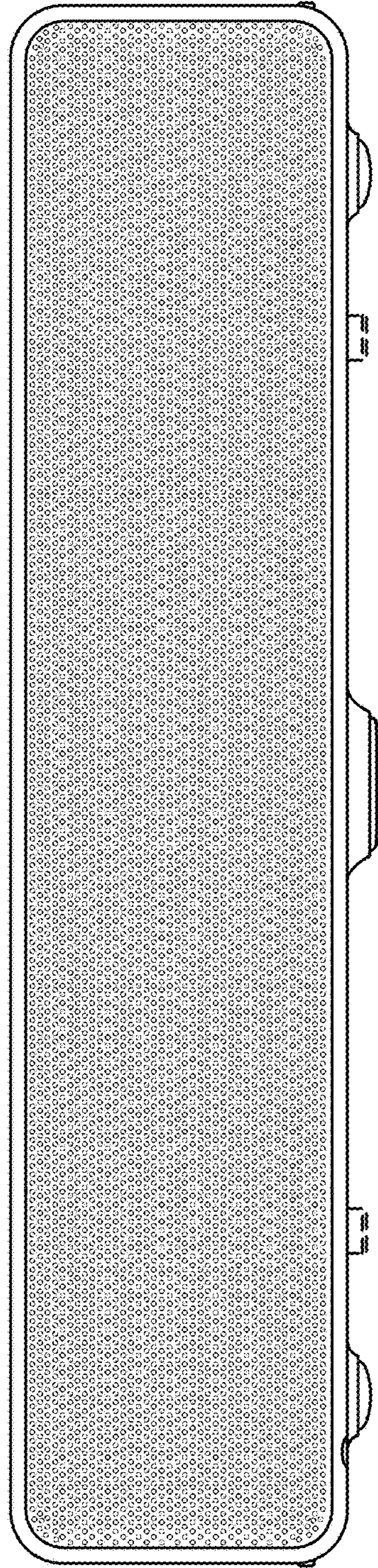


FIG. 2

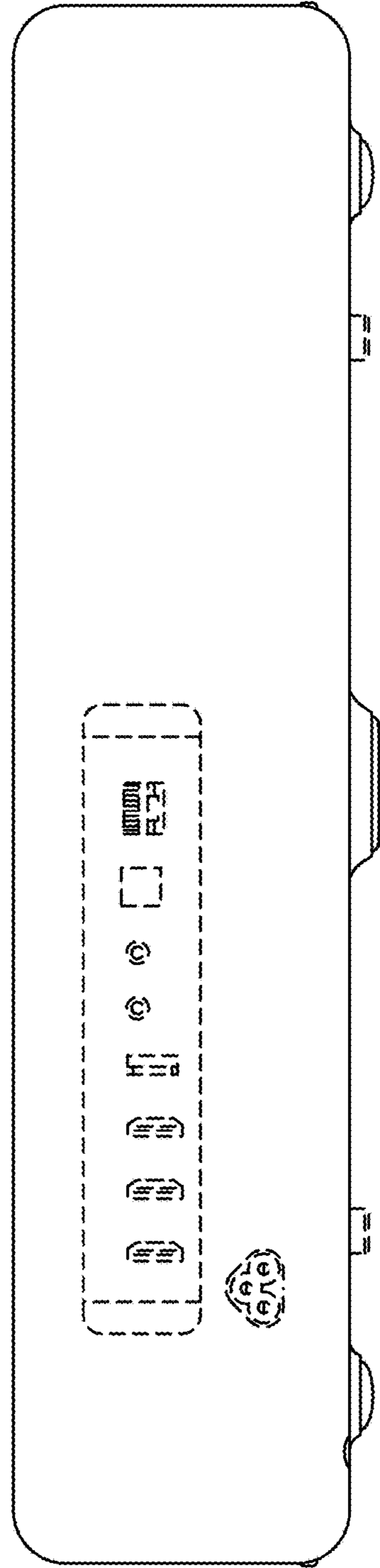


FIG. 3

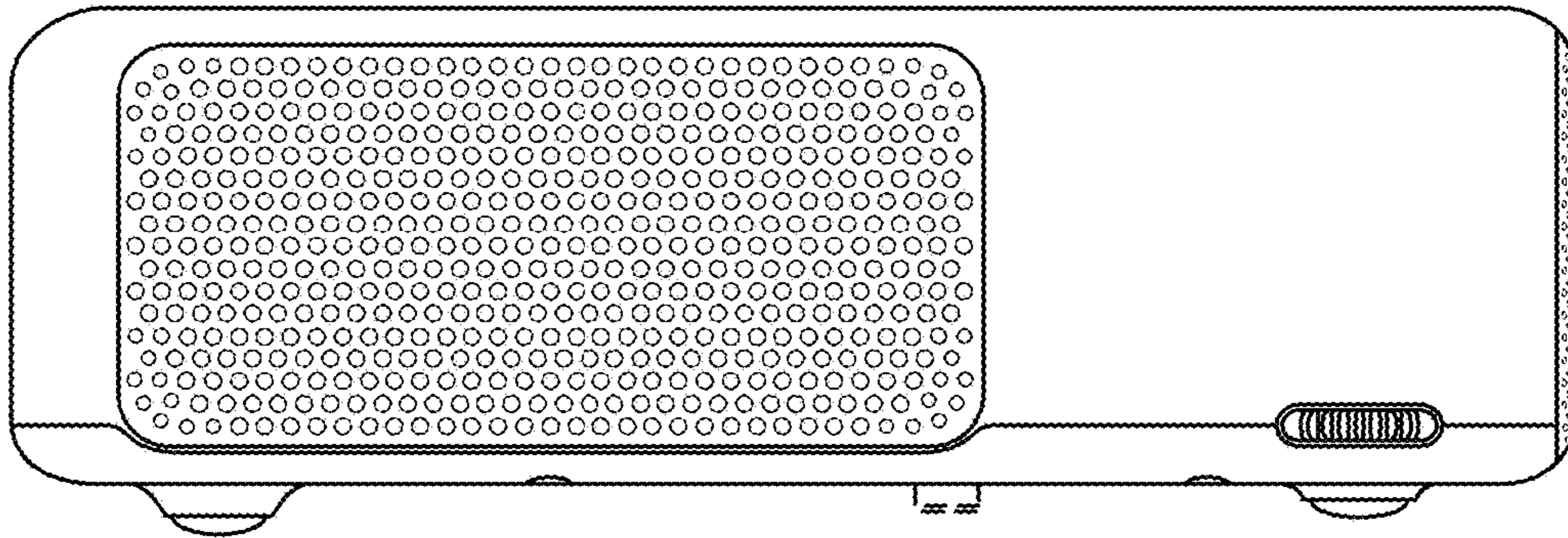


FIG. 4

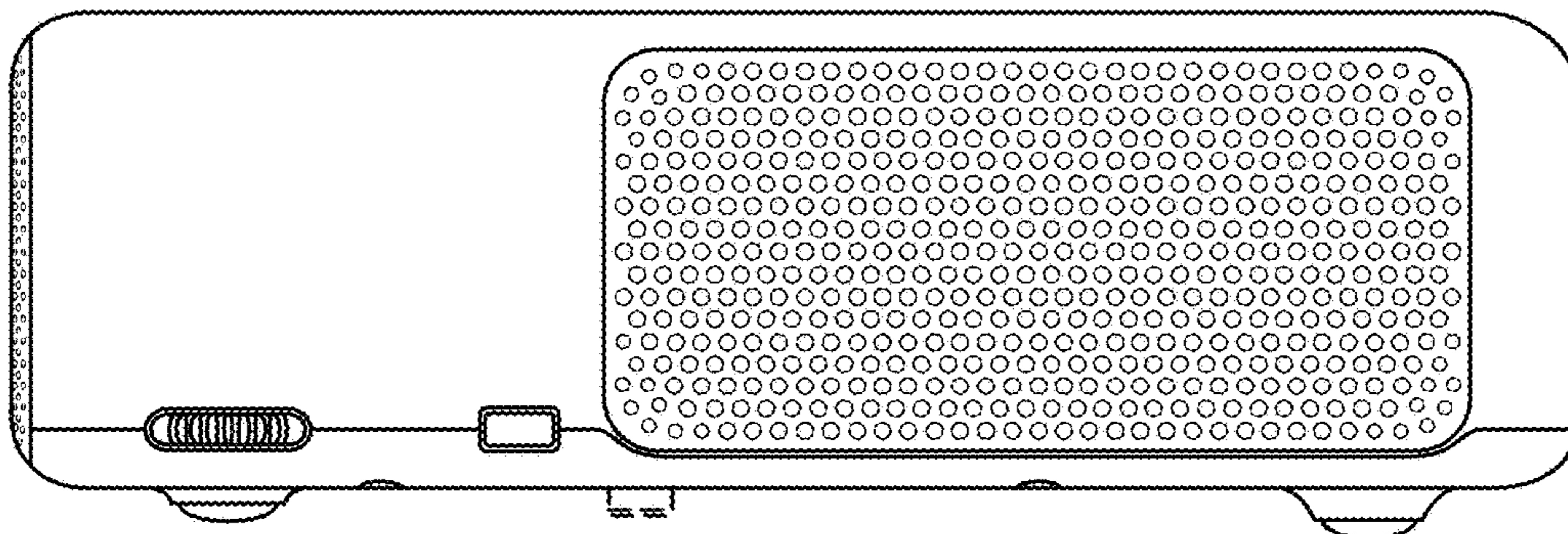


FIG. 5

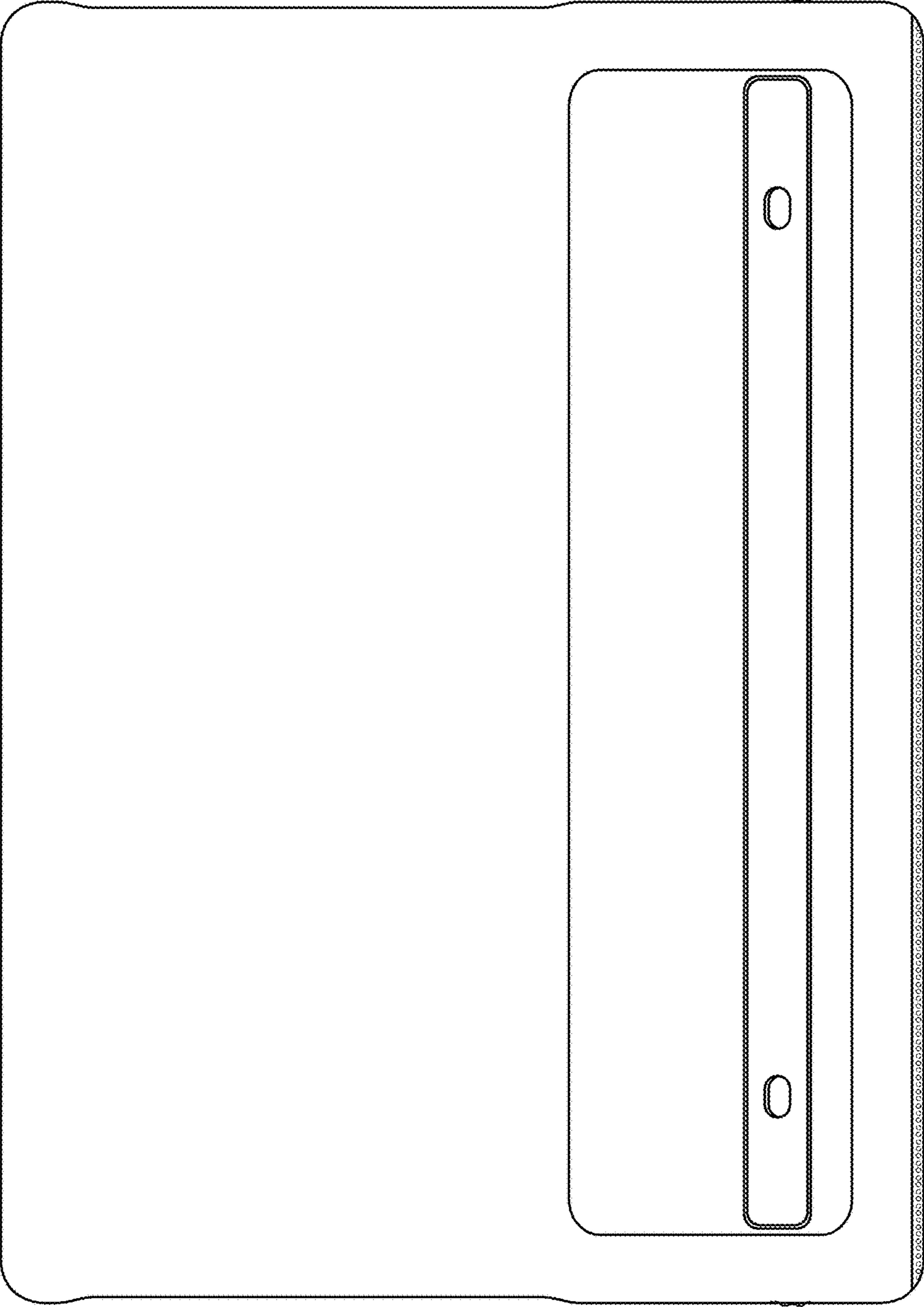


FIG. 6

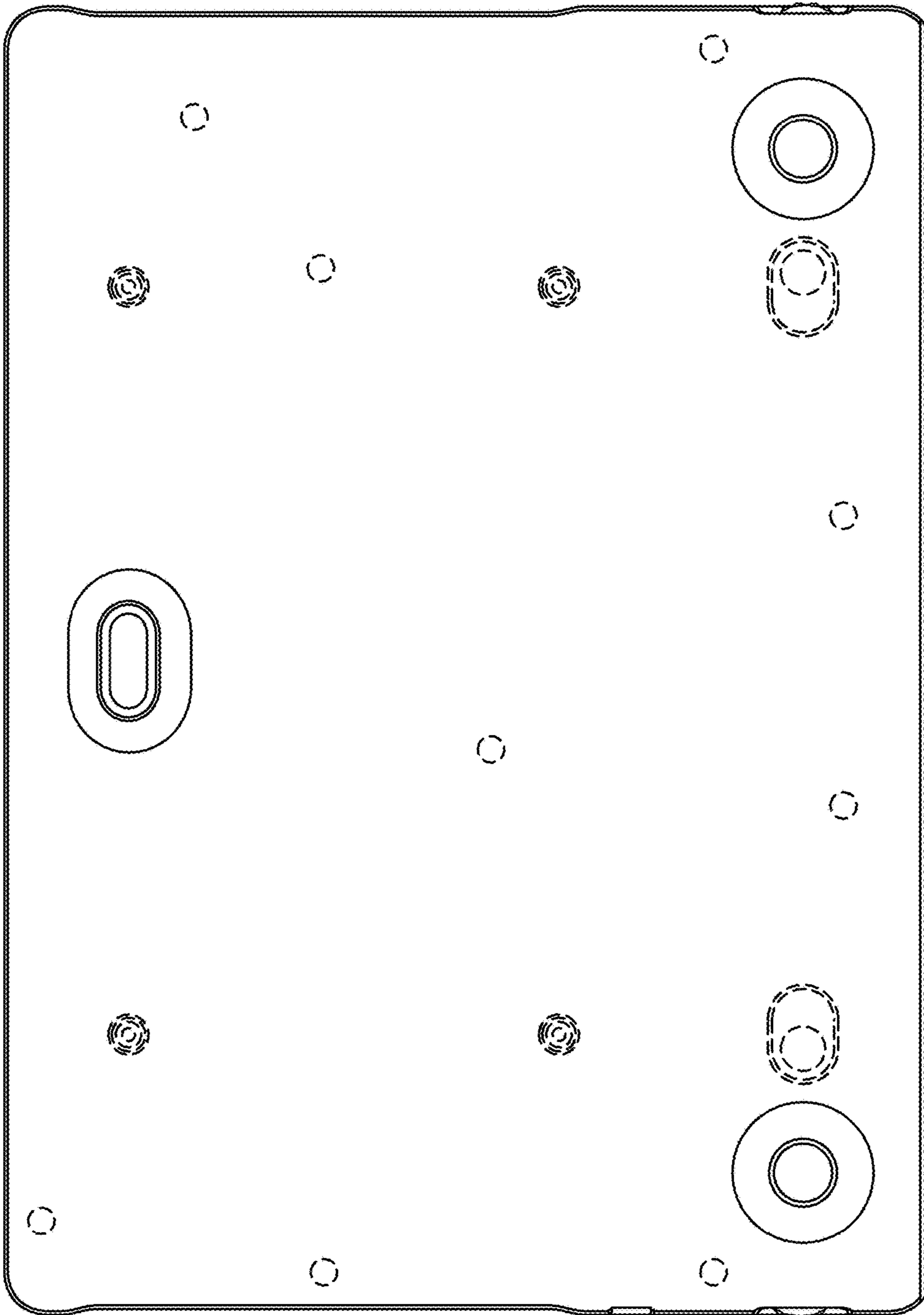


FIG. 7