



US00D854070S

(12) **United States Design Patent** (10) **Patent No.:** **US D854,070 S**  
**Tani et al.** (45) **Date of Patent:** **\*\* Jul. 16, 2019**

(54) **MONITOR CAMERA**

(71) Applicant: **Panasonic Intellectual Property Management Co., Ltd.**, Osaka-shi, Osaka (JP)

(72) Inventors: **Atsushi Tani**, Kyoto (JP); **Takashi Hasegawa**, Kyoto (JP); **Toshiaki Sakamoto**, Tokyo (JP)

(73) Assignee: **Panasonic Intellectual Property Management Co., Ltd.**, Osaka (JP)

(\*\*) Term: **15 Years**

(21) Appl. No.: **29/622,427**

(22) Filed: **Oct. 17, 2017**

(51) **LOC (11) Cl.** ..... **16-01**

(52) **U.S. Cl.**  
USPC ..... **D16/203**

(58) **Field of Classification Search**  
USPC ..... D16/200, 202–206, 218, 219, 242; 348/143, 148, 151, 373–376; 396/419, 396/427, 535, 539–541  
CPC ..... G03B 17/02; G03B 19/04; G03B 17/56; G03B 17/04; G03B 15/03; H04N 5/2251; H04N 5/2252; H04N 5/2253; H04N 5/2254; H04N 7/181; H04N 7/183; H04N 7/18; G08B 13/1963; G08B 13/19619; G08B 13/19632; F16M 11/04; F16M 13/00  
See application file for complete search history.

D733,781 S \* 7/2015 Chen ..... D16/202  
D748,709 S \* 2/2016 Jeong ..... D16/202  
D784,434 S \* 4/2017 Benedetti ..... D16/202  
D785,067 S 4/2017 Ramones et al.  
9,631,767 B2 \* 4/2017 Kilgore ..... H04N 5/2251  
D801,406 S \* 10/2017 Jeong ..... D16/203  
D813,925 S \* 3/2018 Park ..... D16/203  
D821,477 S \* 6/2018 Moon ..... D16/203  
D827,691 S \* 9/2018 Zhong ..... D16/203  
D832,906 S \* 11/2018 Hasegawa ..... D16/203  
D832,907 S \* 11/2018 Jeong ..... D16/203

**FOREIGN PATENT DOCUMENTS**

CN 303950007 11/2016

\* cited by examiner

*Primary Examiner* — Ramzi S Almatrahi

(74) *Attorney, Agent, or Firm* — Brinks Gilson & Lione

(57) **CLAIM**

We claim the ornamental design for a monitor camera, as shown and described.

**DESCRIPTION**

FIG. 1 is a front perspective view of a monitor camera of the present invention;  
FIG. 2 is a front view thereof;  
FIG. 3 is a rear view thereof;  
FIG. 4 is a first side view thereof;  
FIG. 5 is a second side view thereof;  
FIG. 6 is a top view thereof; and,  
FIG. 7 is a bottom view thereof.  
The broken lines depict portions of the monitor camera in which the design is embodied that form no part of the claimed design. Additionally, the dash-dot lines denote the boundary of the claim and form no part of the claimed design.

**1 Claim, 7 Drawing Sheets**

(56) **References Cited**

U.S. PATENT DOCUMENTS

D649,573 S \* 11/2011 Al ..... D16/202  
D721,754 S \* 1/2015 Chen ..... D16/202

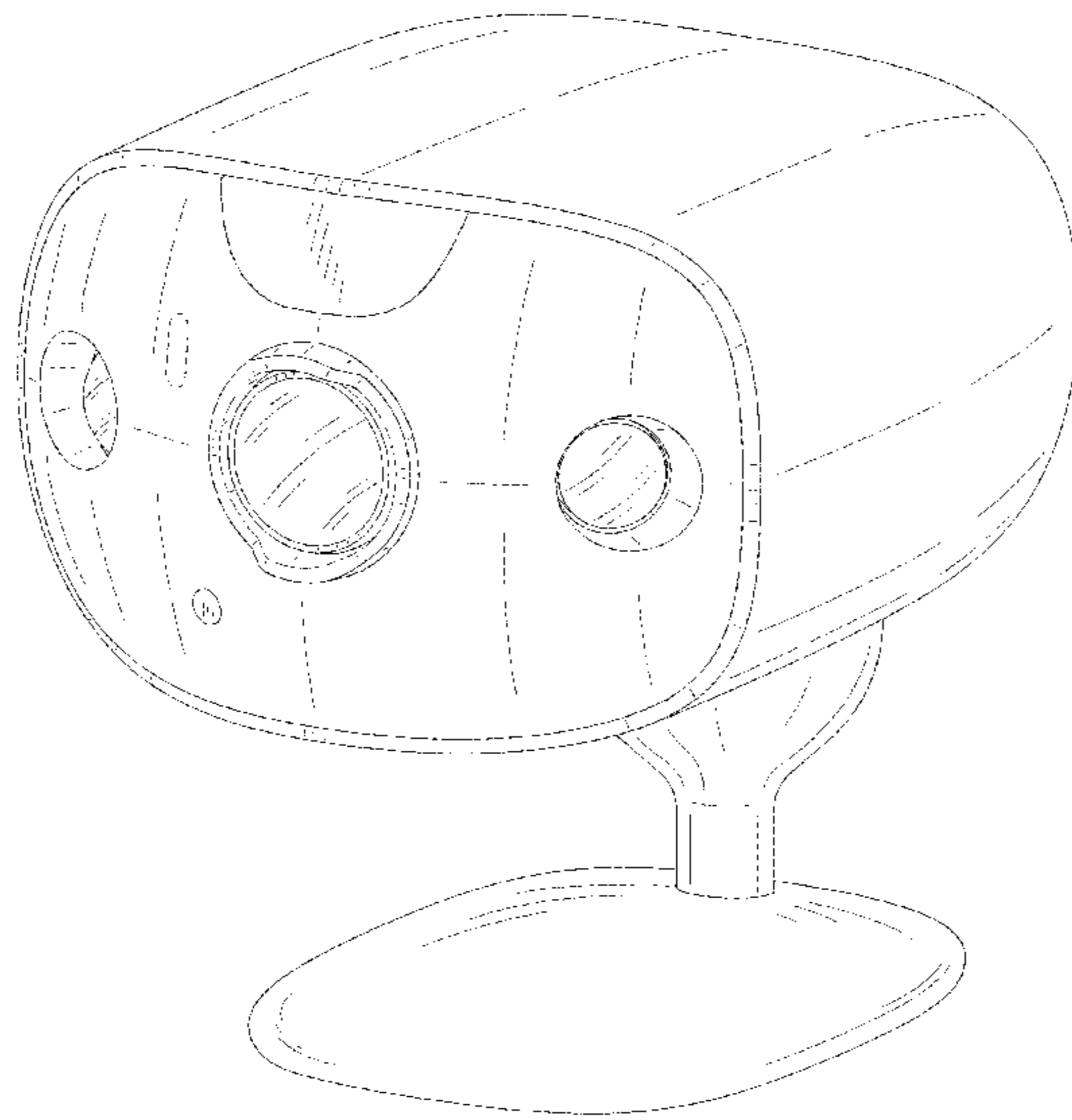


FIG. 1

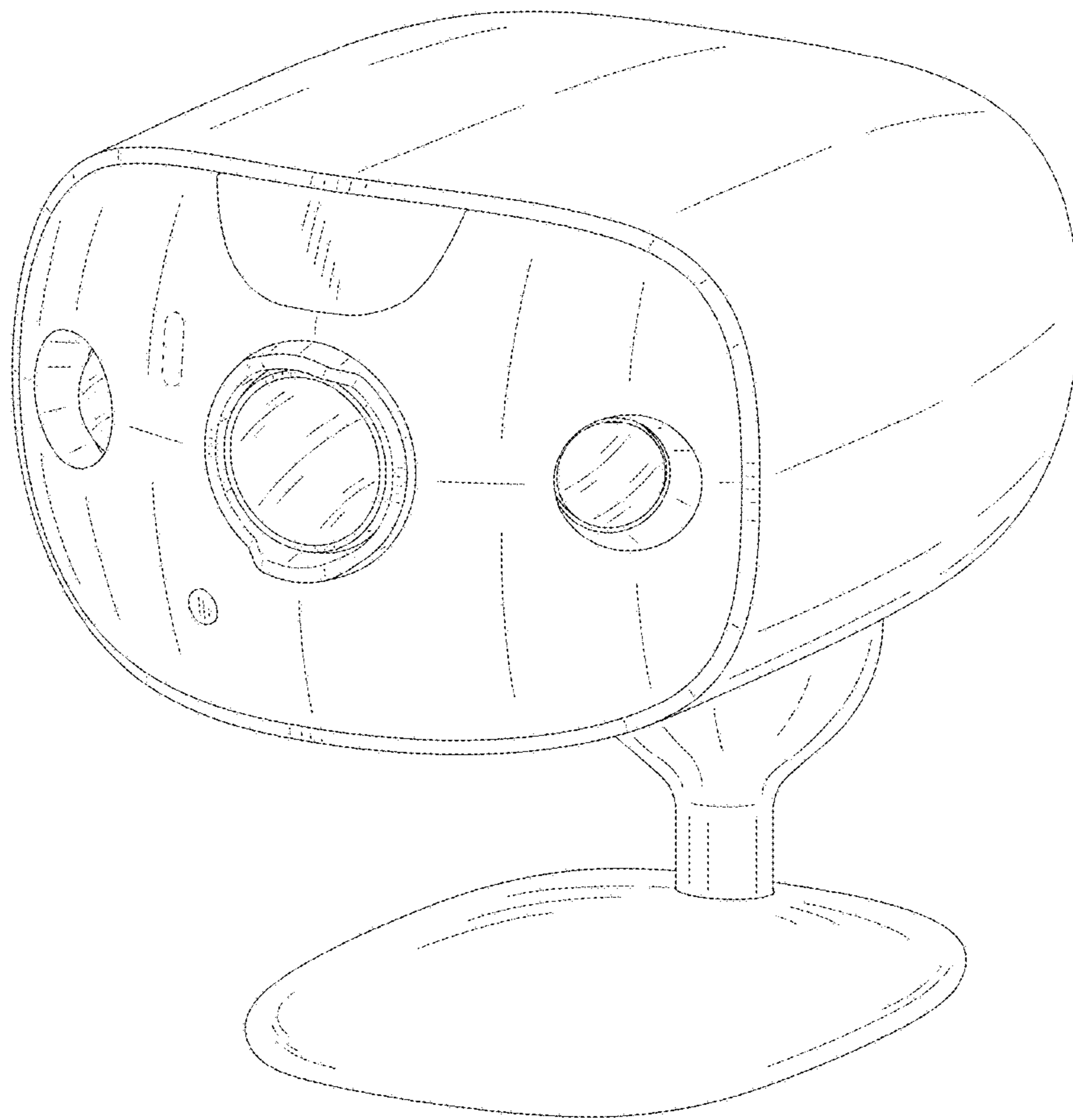


FIG. 2

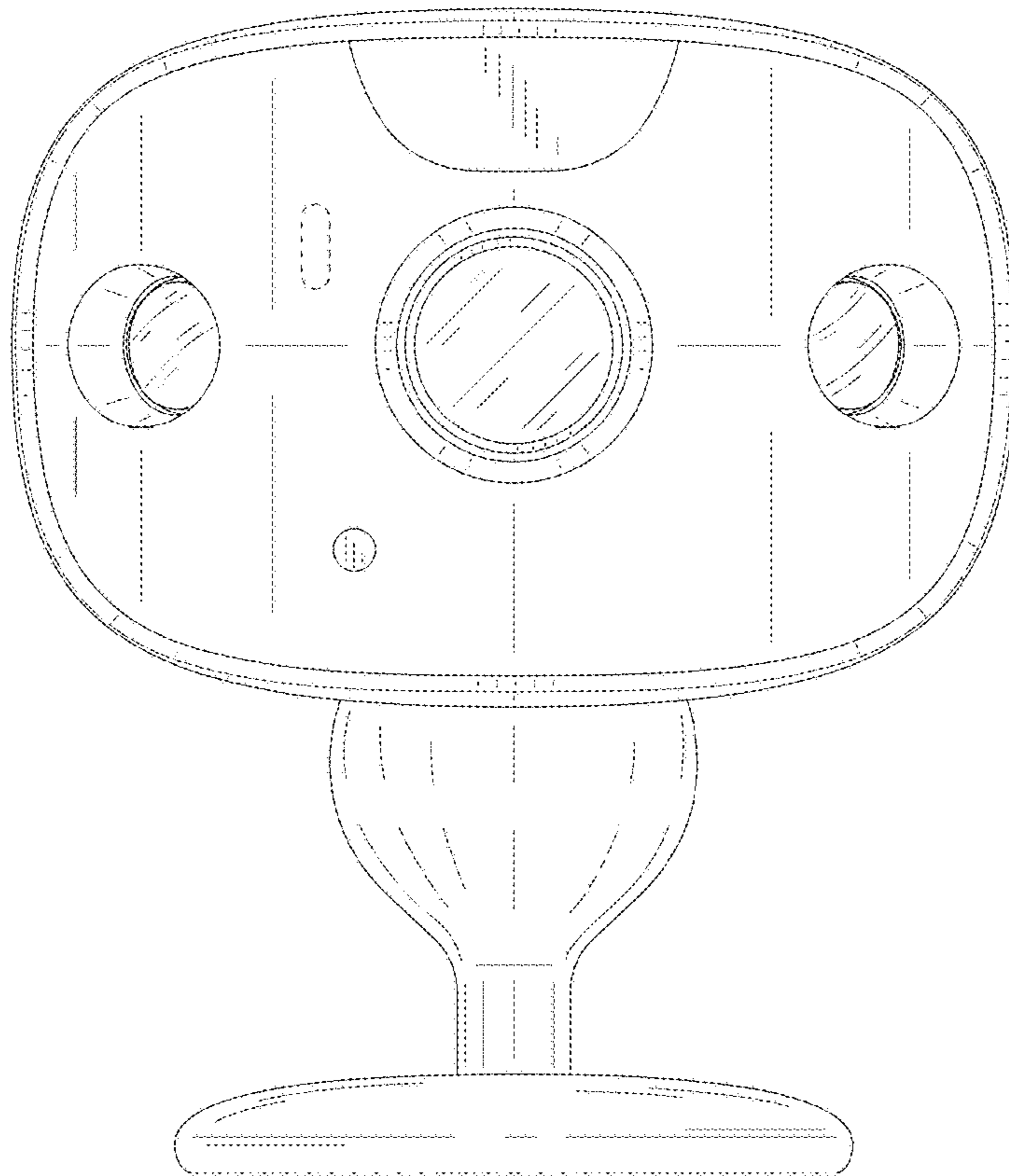


FIG. 3

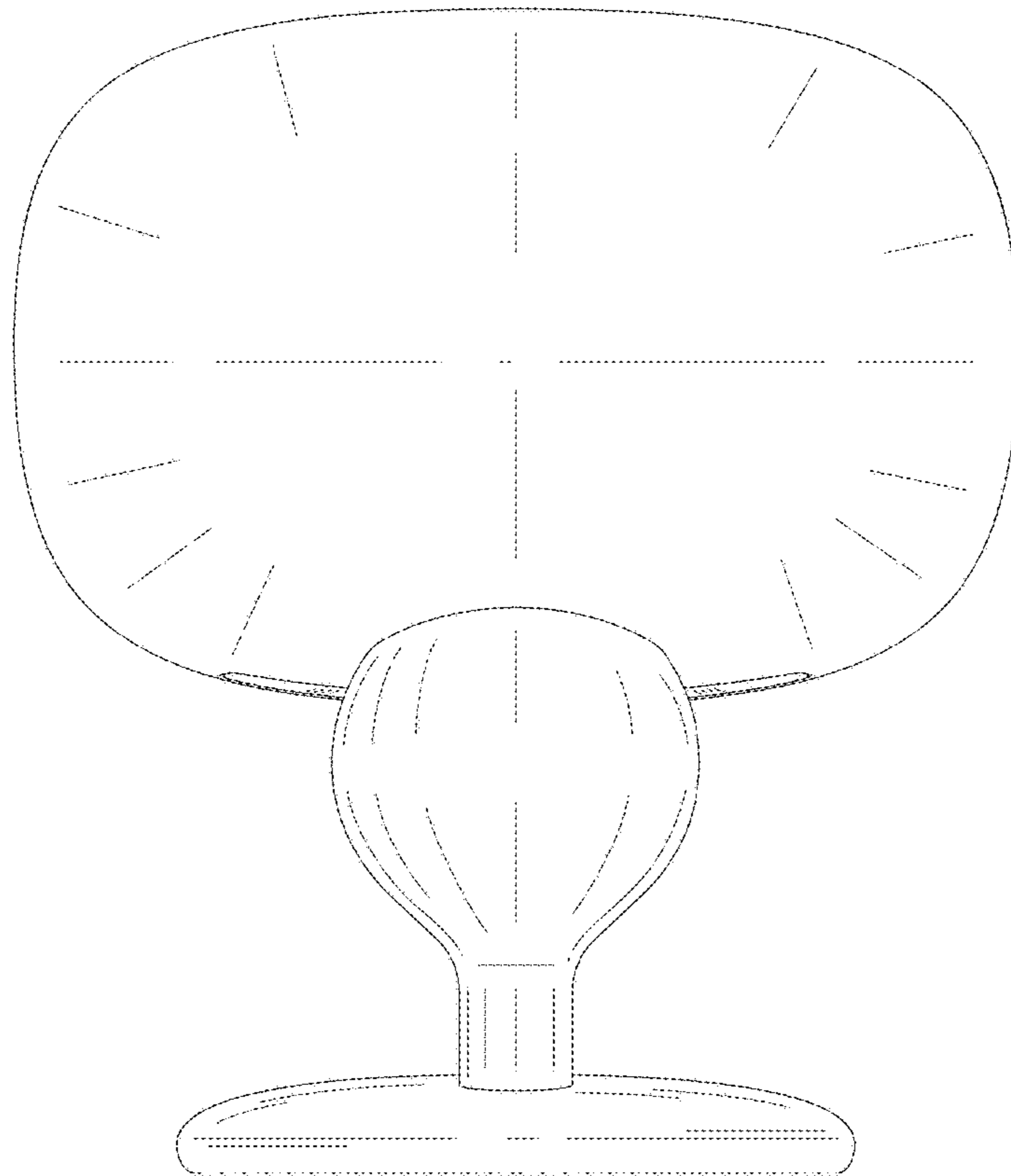


FIG. 4

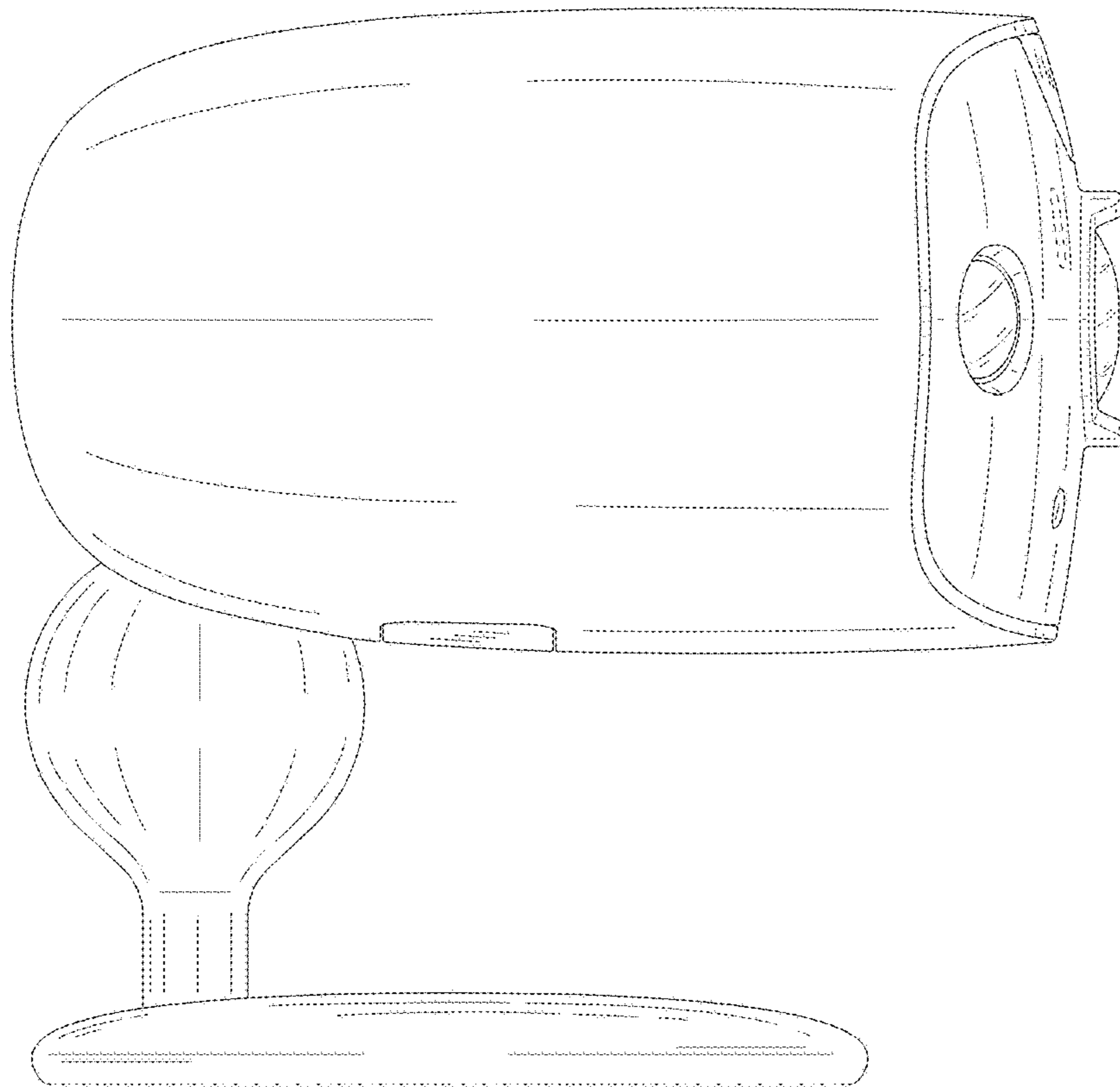


FIG. 5

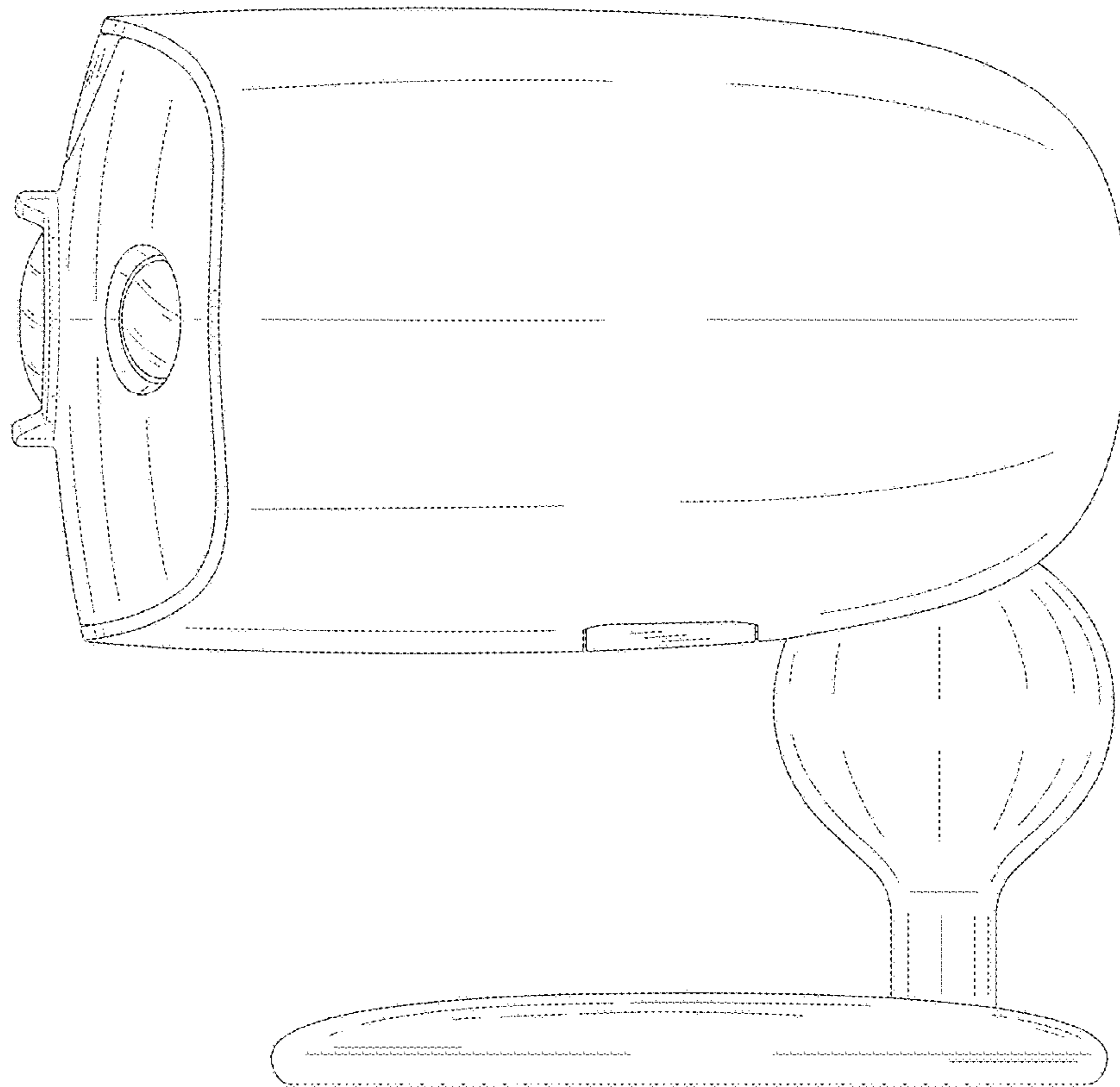


FIG. 6

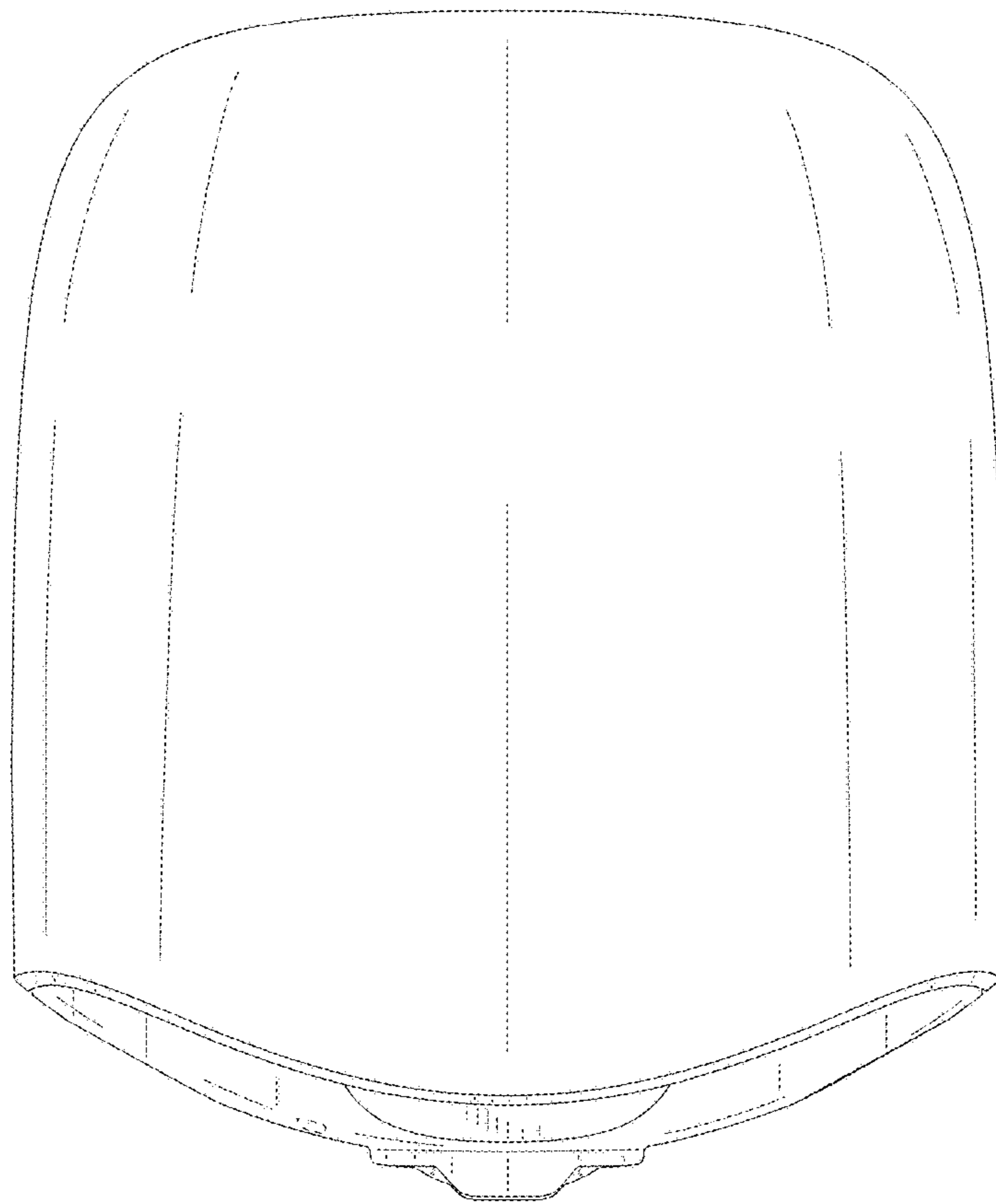


FIG. 7

