



US00D854069S

(12) **United States Design Patent** (10) **Patent No.:** **US D854,069 S**
Wang (45) **Date of Patent:** **** Jul. 16, 2019**

(54) **CAMERA**

(56) **References Cited**

(71) Applicant: **AUTEL ROBOTICS CO., LTD.**,
Shenzhen, Guangdong (CN)
(72) Inventor: **Yongshuai Wang**, Guangdong (CN)
(73) Assignee: **AUTEL ROBOTICS CO., LTD.**,
Shenzhen, Guangdong (CN)
(**) Term: **15 Years**
(21) Appl. No.: **29/606,612**
(22) Filed: **Jun. 6, 2017**

U.S. PATENT DOCUMENTS

D575,322	S	*	8/2008	Aiba	D16/203
D585,926	S	*	2/2009	Su	D16/203
D649,175	S	*	11/2011	Willis	D16/242
D694,802	S	*	12/2013	Coyle	D16/237
D732,601	S	*	6/2015	Coyle	D16/237
D738,951	S	*	9/2015	Coyle	D16/237
9,264,599	B2	*	2/2016	Reid	F16M 11/00
D754,242	S	*	4/2016	Wang	D16/242
D771,733	S	*	11/2016	Wang	D16/242
D790,000	S	*	6/2017	Wang	D16/200
D810,171	S	*	2/2018	Kim	D16/206
D810,806	S	*	2/2018	Kim	D16/206
2008/0210025	A1	*	9/2008	Goossen	F16M 11/041 74/5.34

(30) **Foreign Application Priority Data**

Dec. 8, 2016 (CN) 2016 3 0600932

(51) **LOC (11) Cl.** **16-01**

(52) **U.S. Cl.**
USPC **D16/202**

(58) **Field of Classification Search**
USPC D16/200, 202–206, 208, 211, 214, 218,
D16/219, 237, 242, 244; D14/130, 132,
D14/144; D10/104.1, 104.2, 106.1,
D10/106.2, 106.5; 348/164, 347,
348/373–376; 396/535, 539–541;
250/330, 332
CPC G03B 15/00; G03B 15/03; G03B 17/02;
G03B 17/04; G03B 17/56; G03B 19/04;
H04N 5/2251; H04N 5/2252; H04N
5/2253; H04N 5/2254; H04N 2101/00;
F16M 11/04; F16M 13/00

See application file for complete search history.

* cited by examiner

Primary Examiner — Ramzi S Almatrahi
(74) *Attorney, Agent, or Firm* — Ladas & Parry LLP

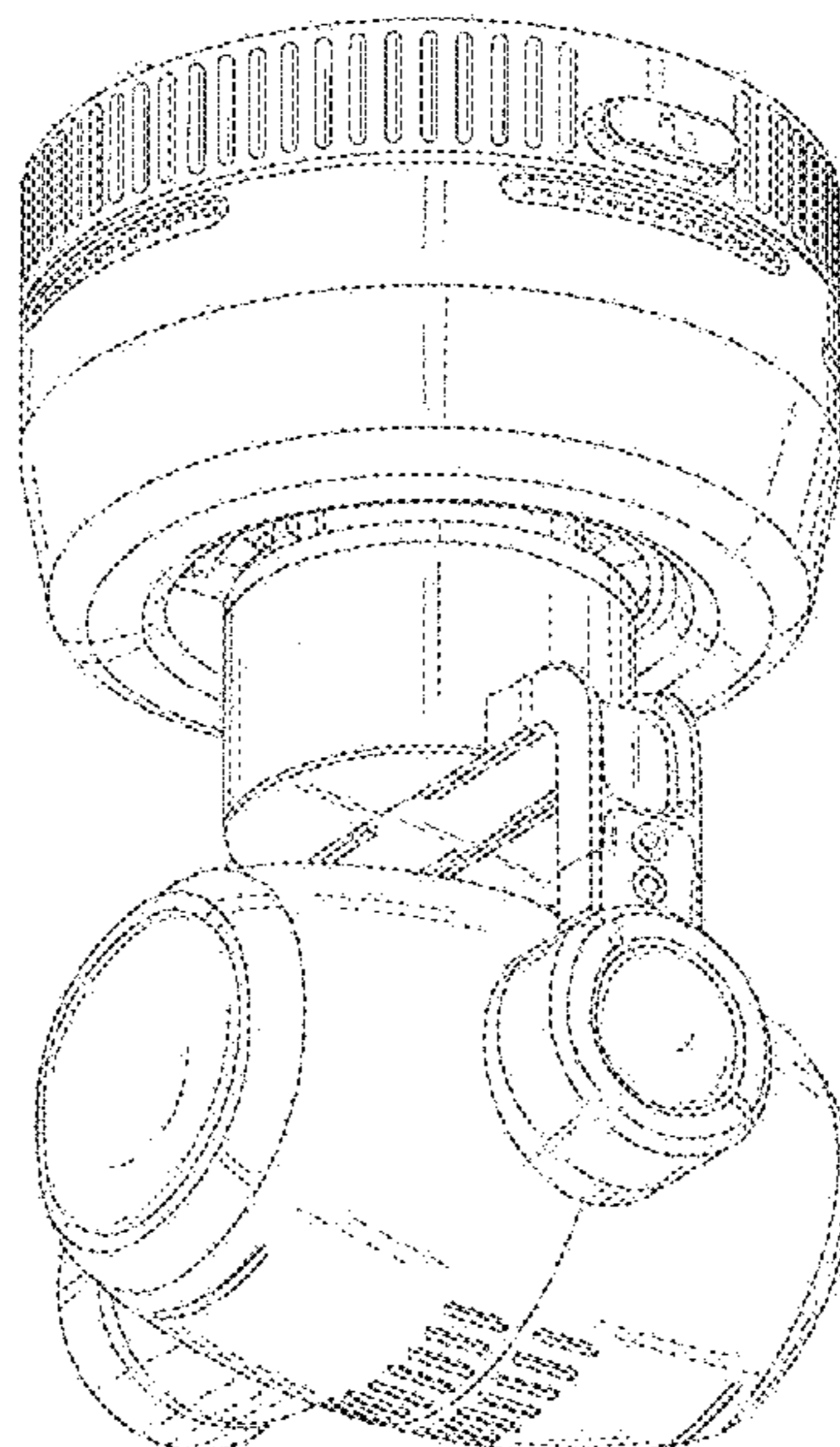
(57) **CLAIM**

The ornamental design for a camera, as shown and described.

DESCRIPTION

FIG. 1 is a bottom, front and right side perspective view of a camera showing my new design;
FIG. 2 is a front elevational view thereof;
FIG. 3 is a rear elevational view thereof;
FIG. 4 is a left side elevational view thereof;
FIG. 5 is a right side elevational view thereof;
FIG. 6 is a bottom plan view thereof; and,
FIG. 7 is a top plan view thereof.
The broken lines depict portions of the camera in which the design is embodied that form no part of the claimed design.

1 Claim, 7 Drawing Sheets



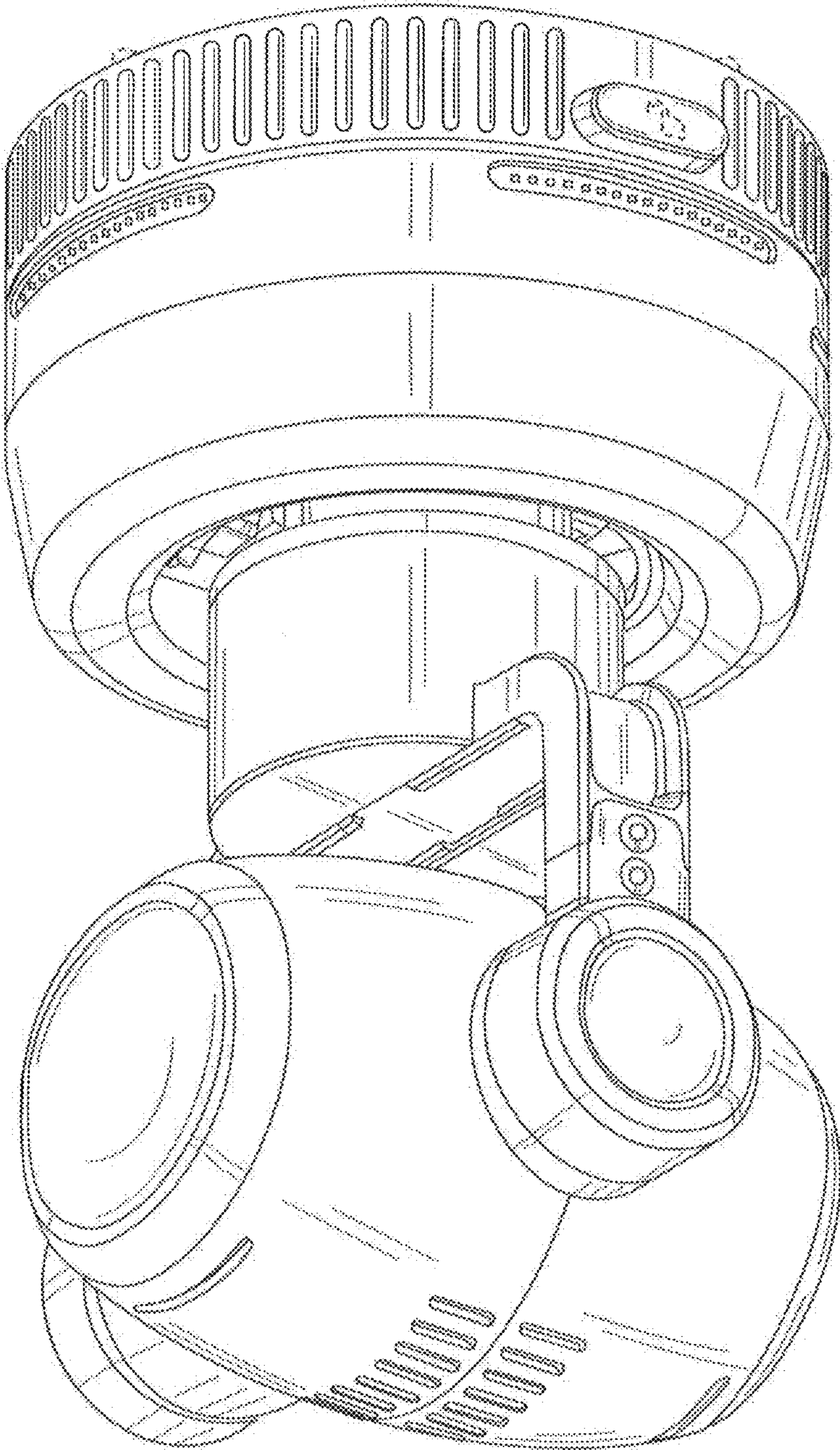


FIG. 1

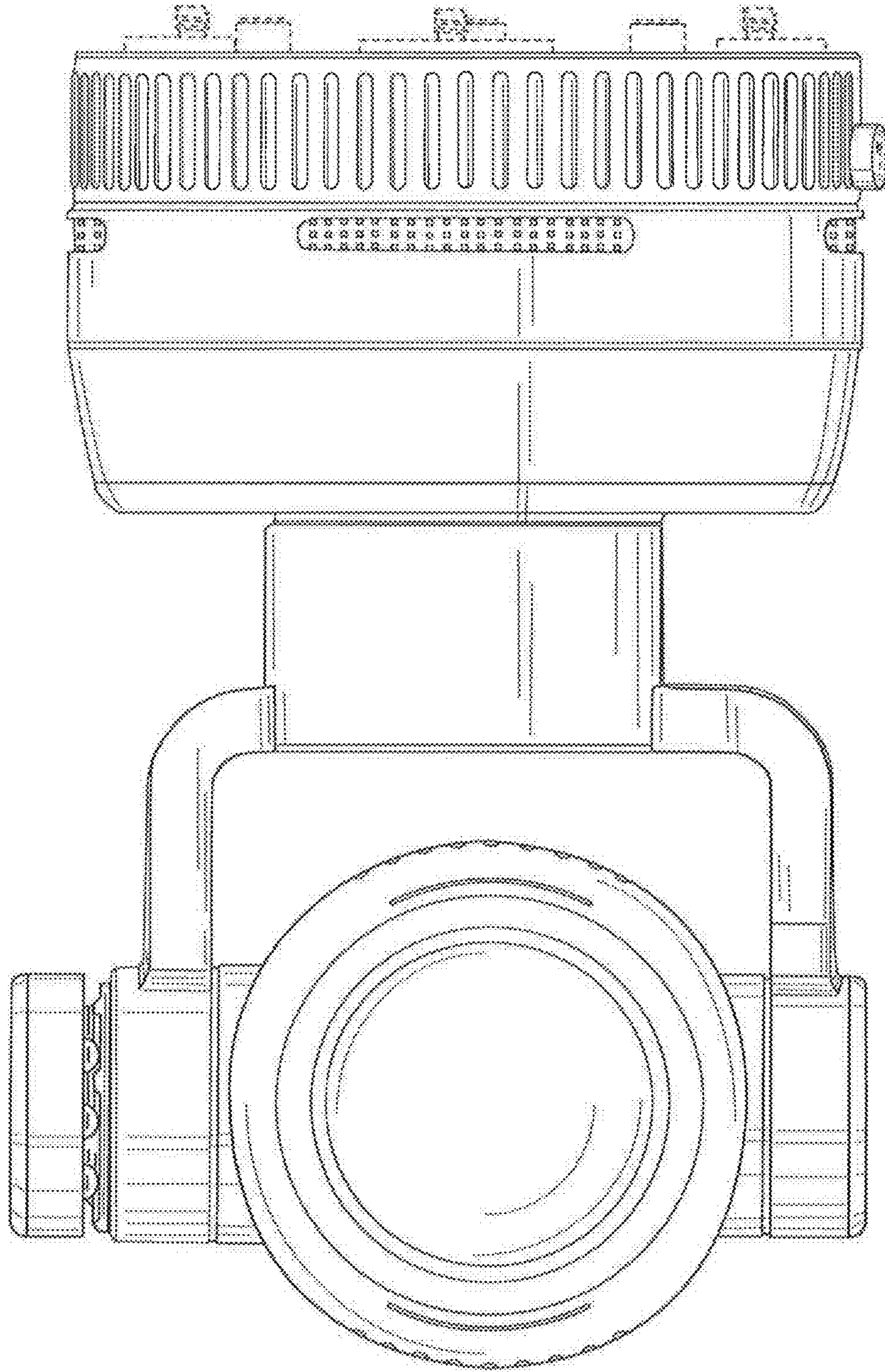


FIG. 2

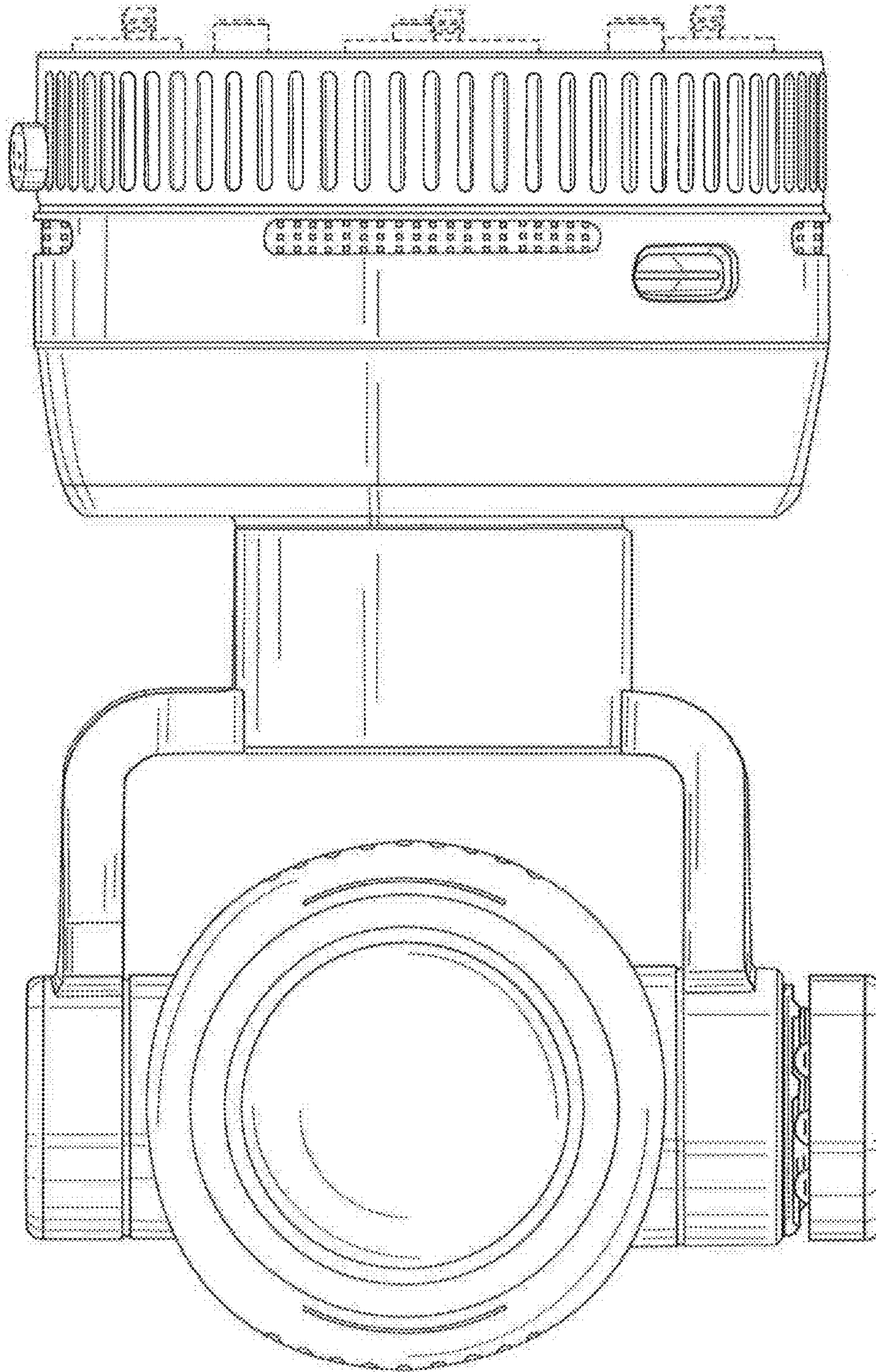


FIG. 3

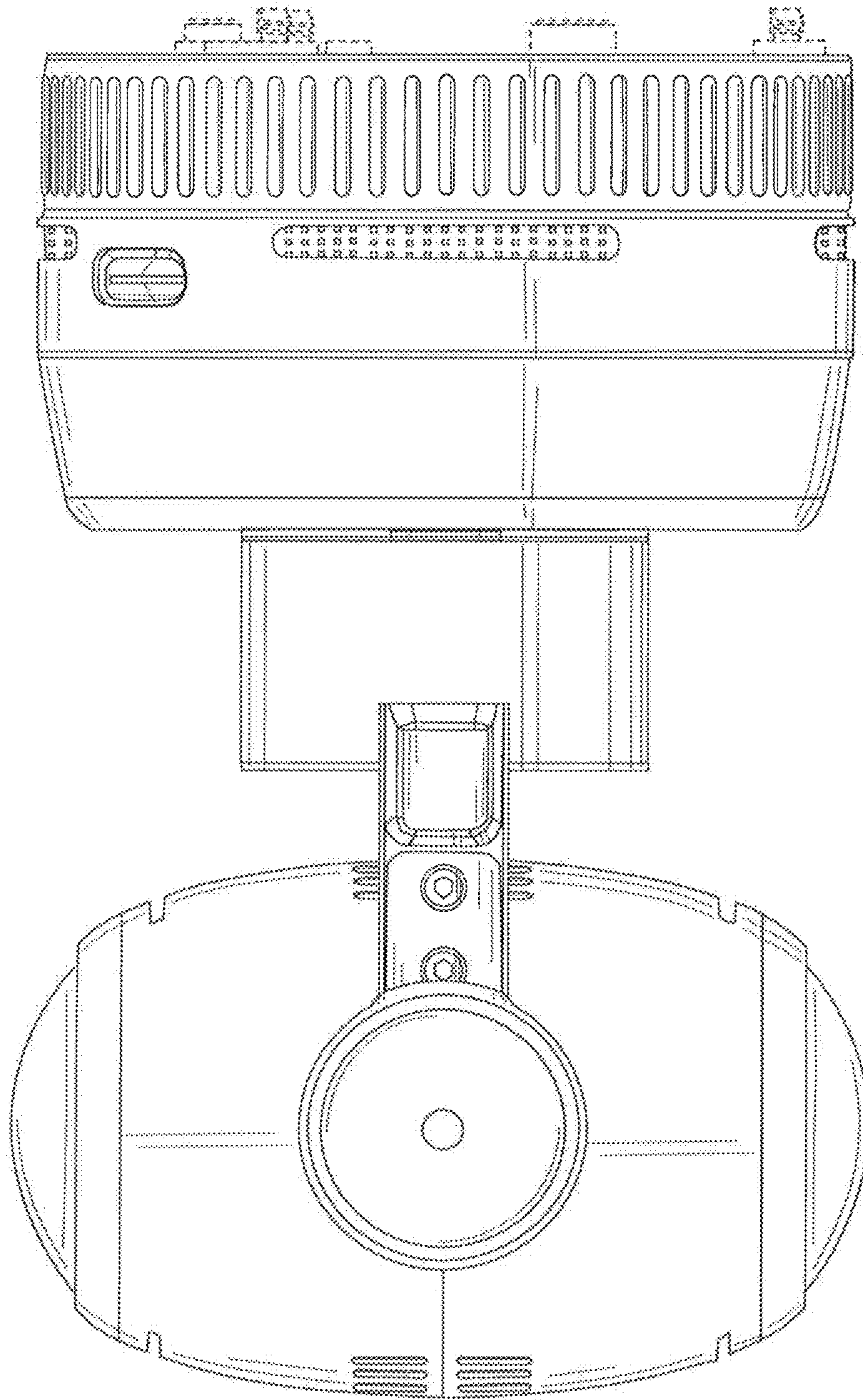


FIG. 4

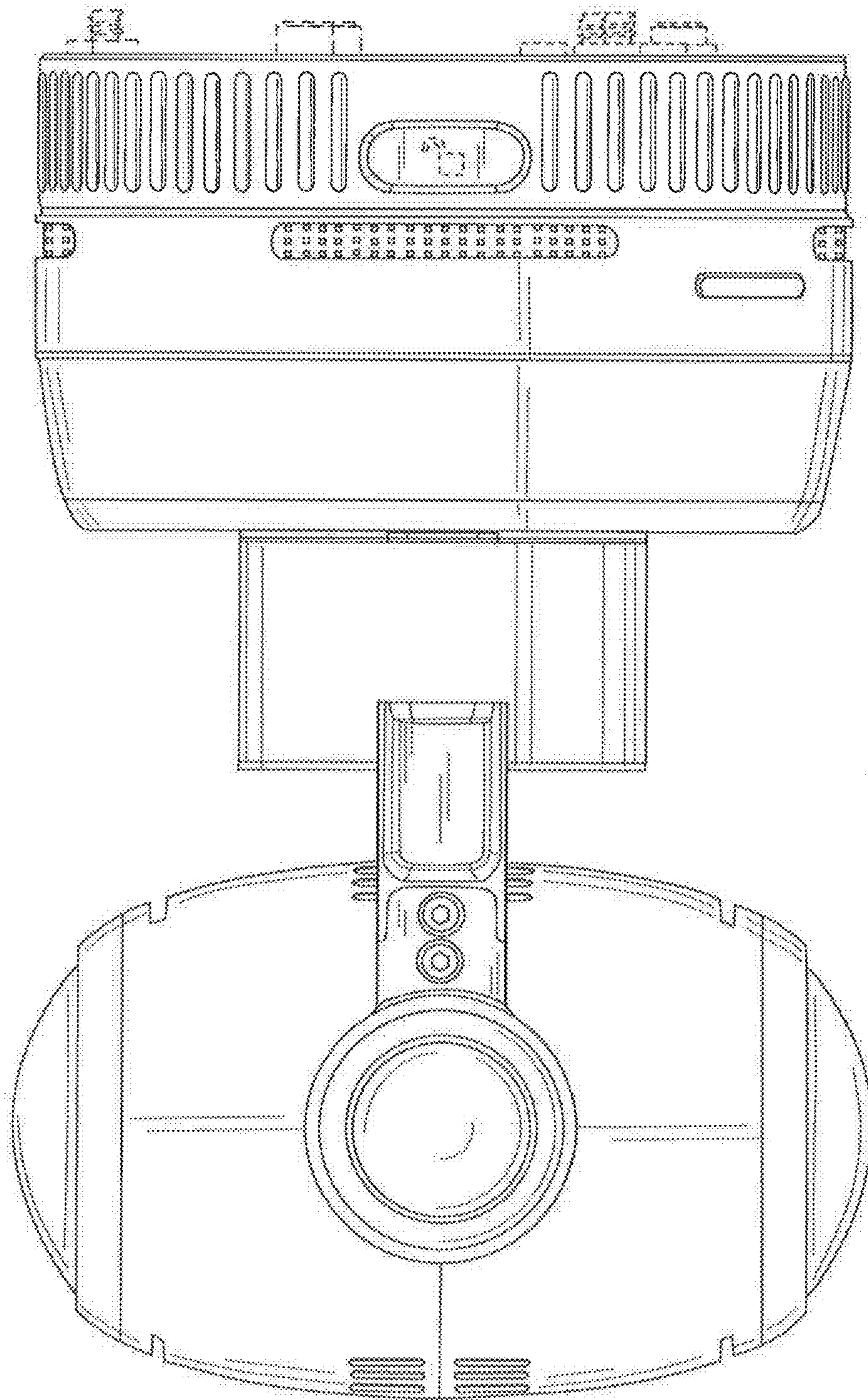


FIG. 5

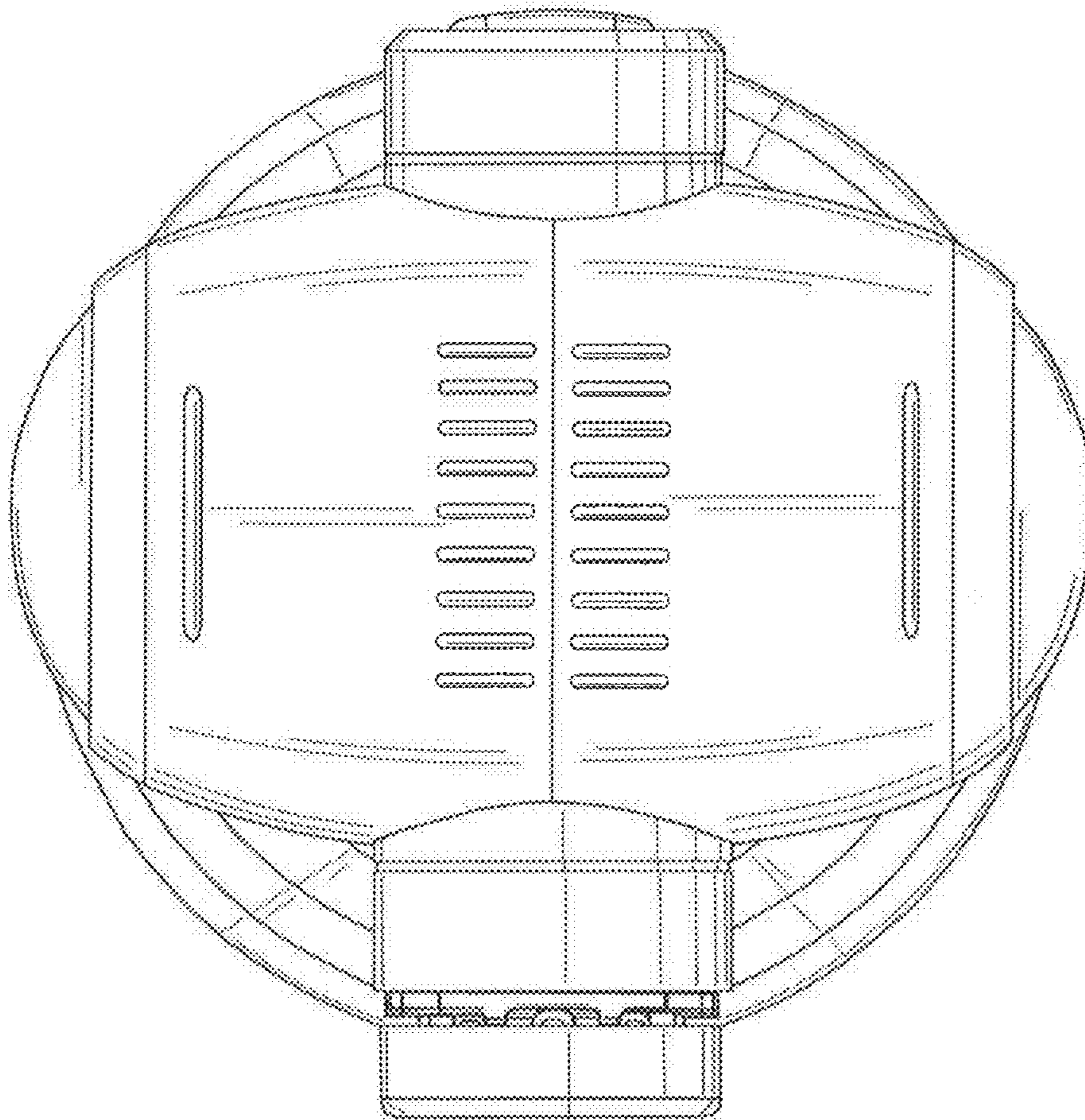


FIG. 6

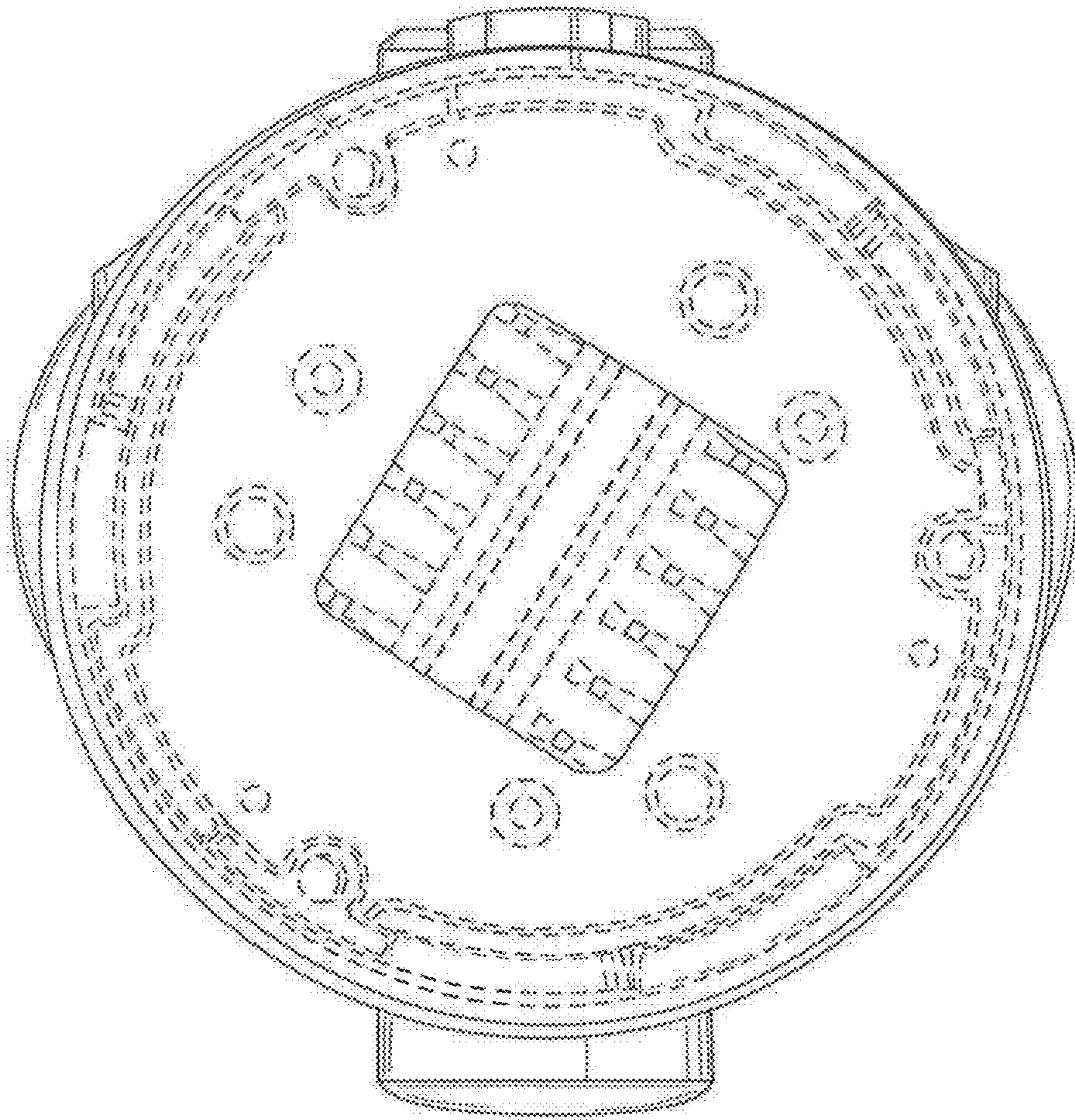


FIG. 7