



US00D854068S

(12) **United States Design Patent** (10) **Patent No.:** **US D854,068 S**
Shen (45) **Date of Patent:** **** Jul. 16, 2019**

(54) **FOLDING BINOCULARS**
(71) Applicant: **Bingzheng Shen**, Huaibei (CN)
(72) Inventor: **Bingzheng Shen**, Huaibei (CN)
(**) Term: **15 Years**
(21) Appl. No.: **29/571,039**
(22) Filed: **Jul. 14, 2016**
(51) **LOC (11) Cl.** **16-06**
(52) **U.S. Cl.**
USPC **D16/133**
(58) **Field of Classification Search**
USPC D3/136; D16/130, 132, 133, 136
CPC G02B 2027/0123; G02B 2027/0132; G02B
7/06; G02B 7/12; G02B 23/00; G02B
23/16; G02B 2027/0134; G02B 27/26;
G02B 23/18
See application file for complete search history.

D660,895 S * 5/2012 Fischbach D16/133
D662,119 S * 6/2012 Hoshi D16/133
D684,202 S * 6/2013 Radau D16/133
D687,081 S * 7/2013 Radau D16/133
D700,644 S * 3/2014 Asano D16/133
D706,848 S * 6/2014 Kobayashi G02B 23/00
D16/133
D748,189 S * 1/2016 Fuchs D16/335
2014/0176934 A1 * 6/2014 Perger G01C 3/04
356/4.01

* cited by examiner

Primary Examiner — Mark A Goodwin
Assistant Examiner — Benjamin M Weeks

(57) **CLAIM**

The ornamental design for folding binoculars, as shown and described.

DESCRIPTION

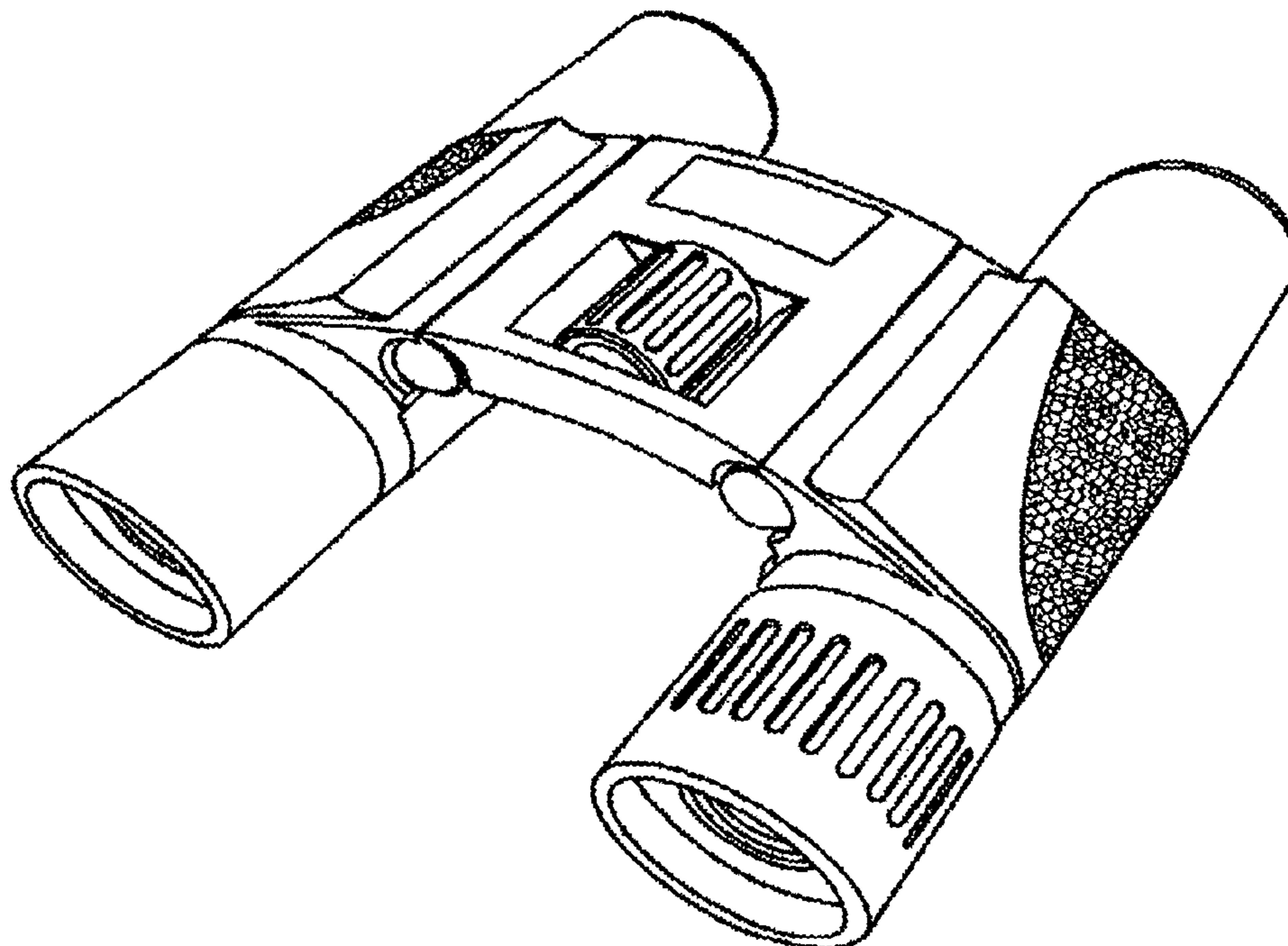
FIG. 1 is a perspective view of folding binoculars showing my new design;
FIG. 2 is a front elevational view thereof;
FIG. 3 is a rear elevational view thereof;
FIG. 4 is a left side elevational view thereof;
FIG. 5 is a right side elevational view thereof;
FIG. 6 is a top plan view thereof; and
FIG. 7 is a bottom plan view thereof; and,
FIG. 8 is another perspective view of folding binoculars showing my new design.

1 Claim, 8 Drawing Sheets

(56) **References Cited**

U.S. PATENT DOCUMENTS

4,329,013 A * 5/1982 Hengst G02B 23/02
359/418
D367,662 S * 3/1996 Chan D16/132
D395,055 S * 6/1998 Lee D16/133
D440,584 S * 4/2001 Lee D16/133
D551,272 S * 9/2007 Fujii D16/133
D590,856 S * 4/2009 Hayamizu D16/133



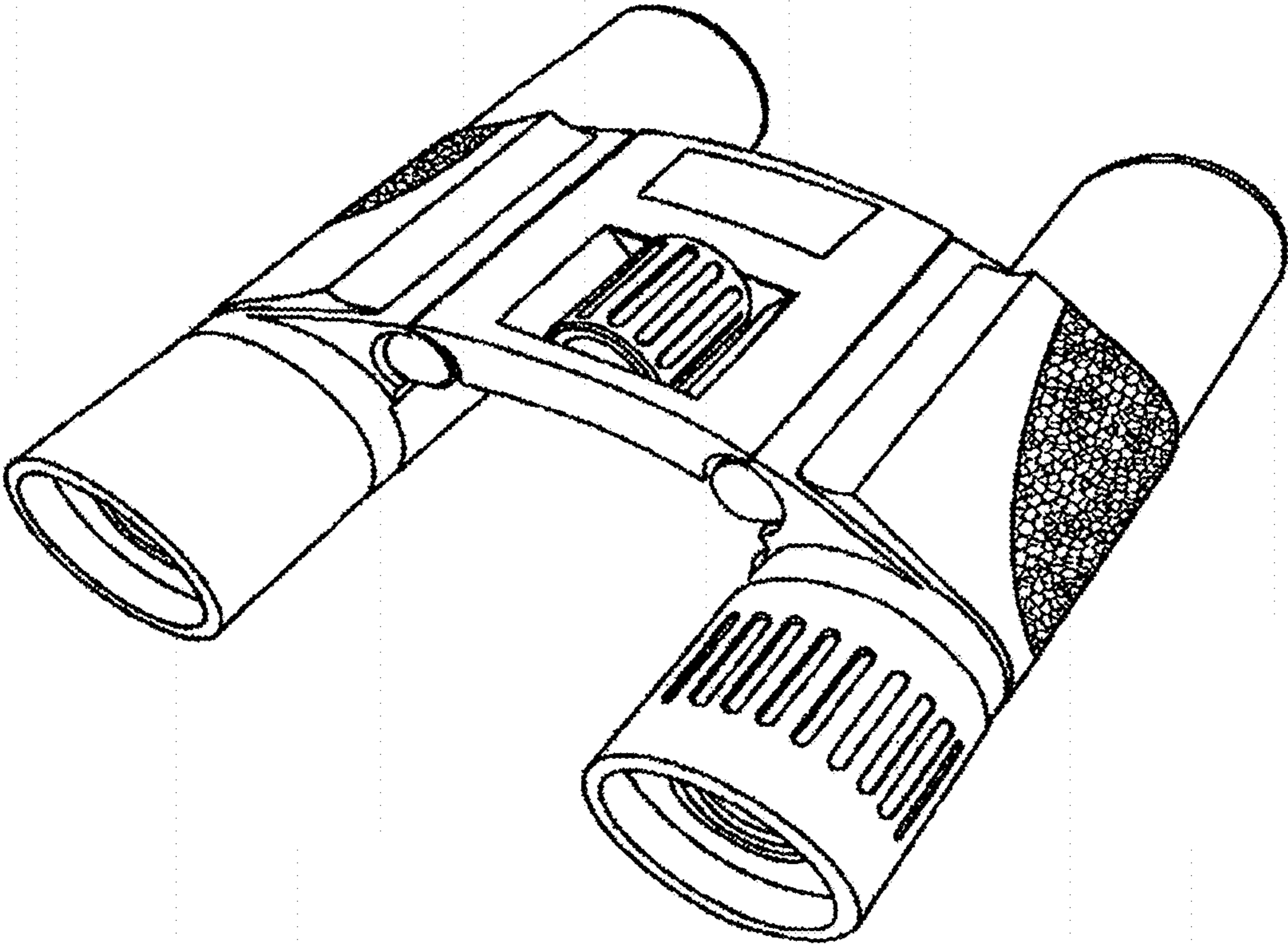


FIG. 1

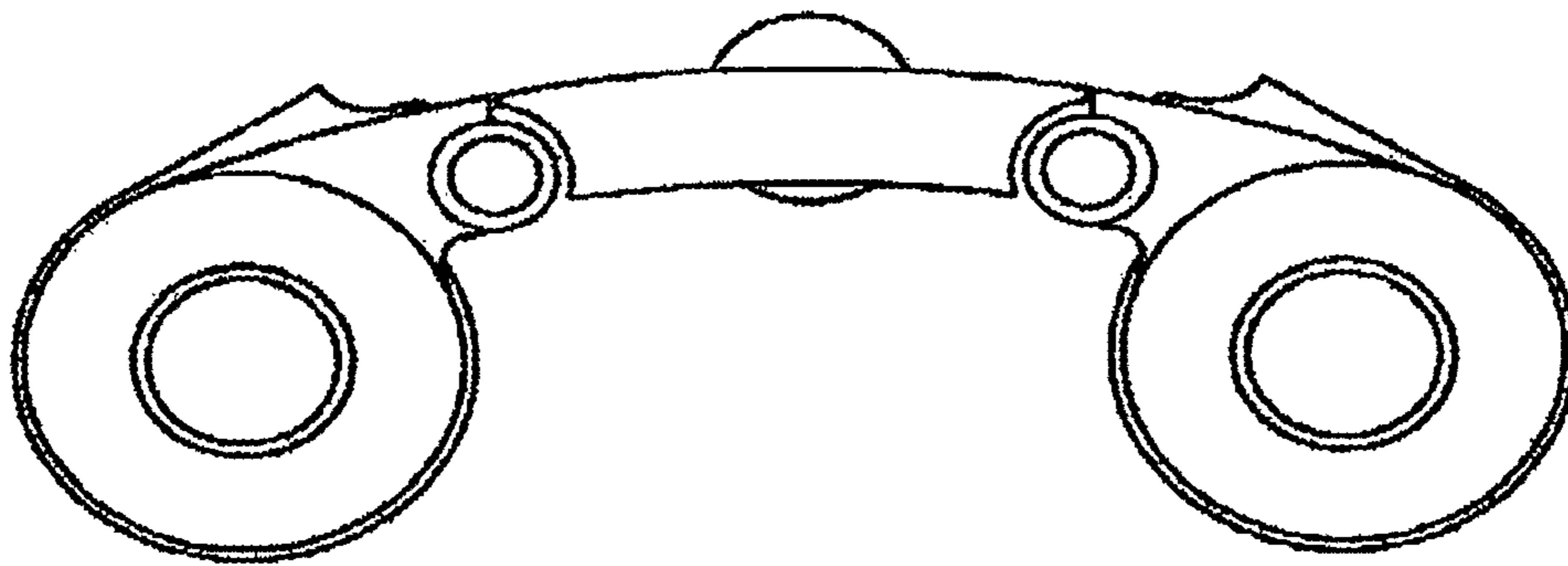


FIG.2

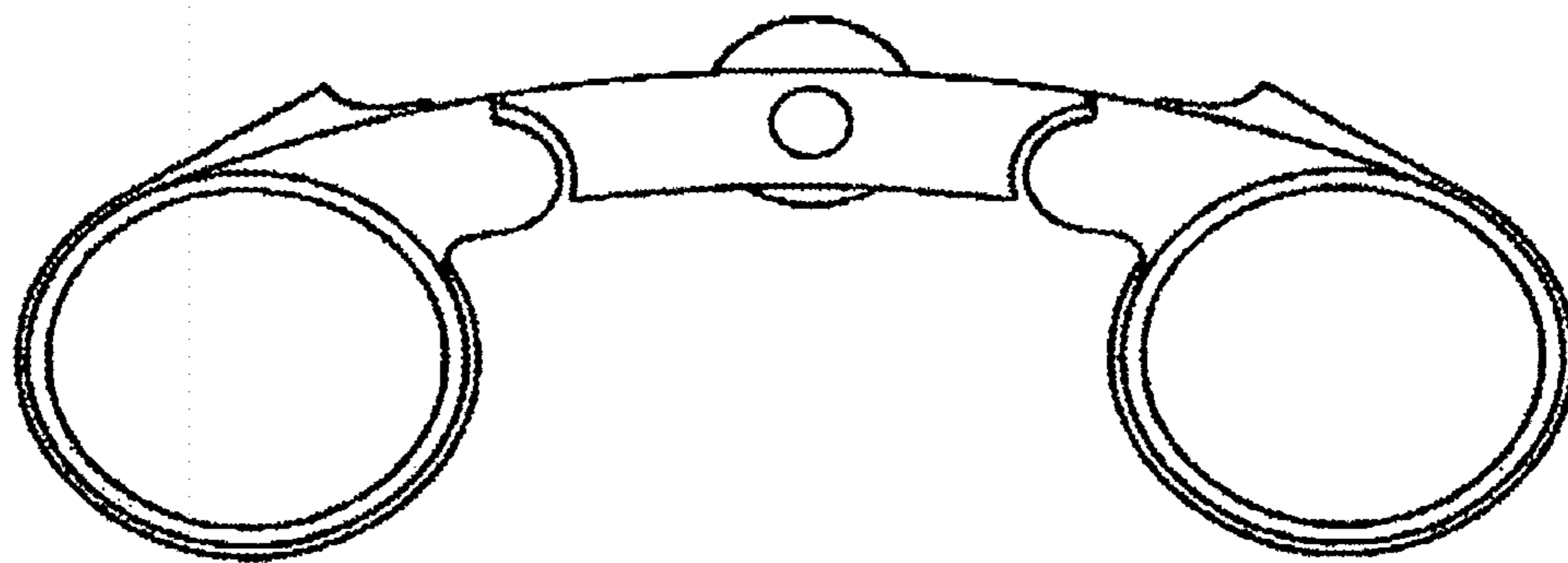


FIG.3

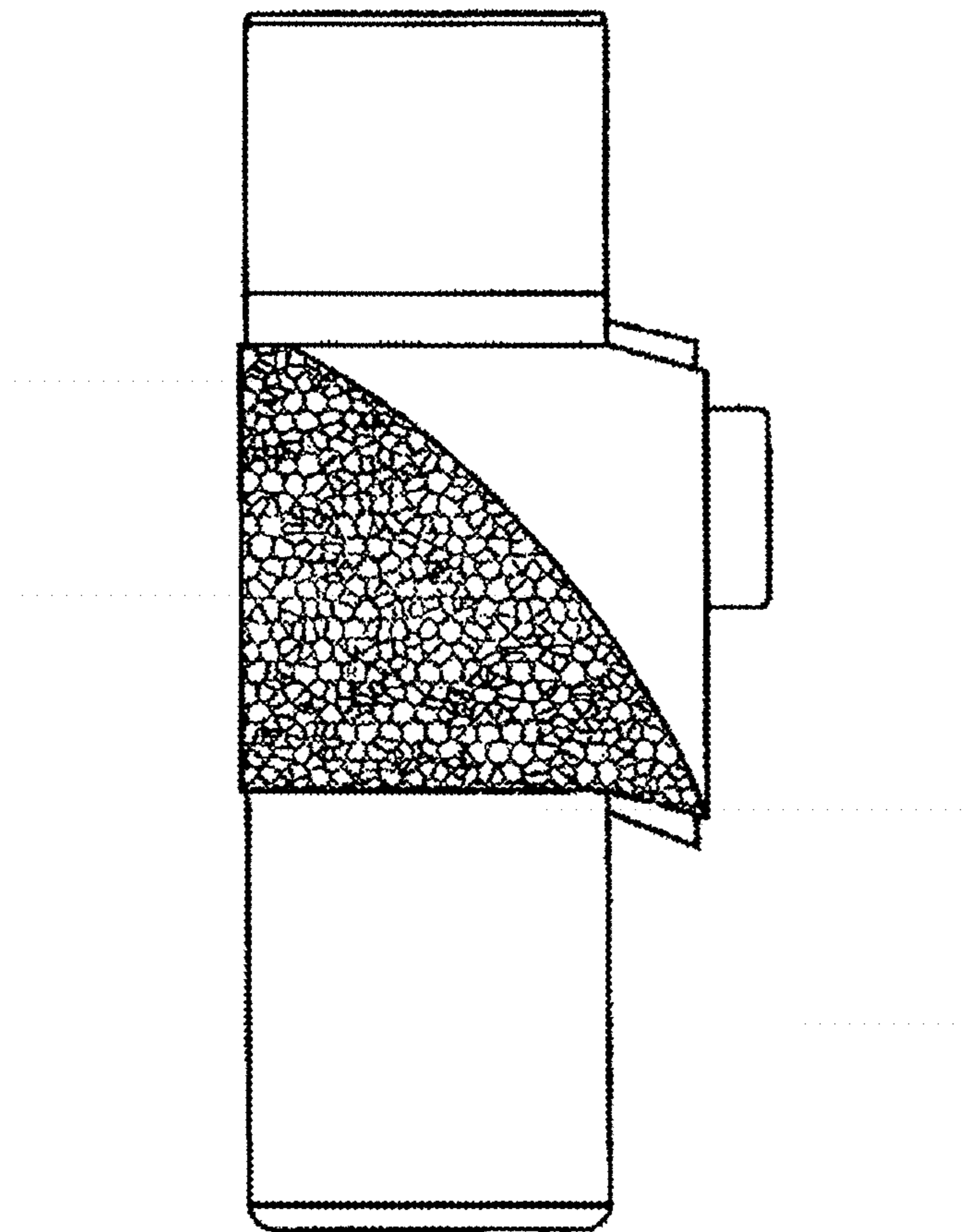


FIG. 4

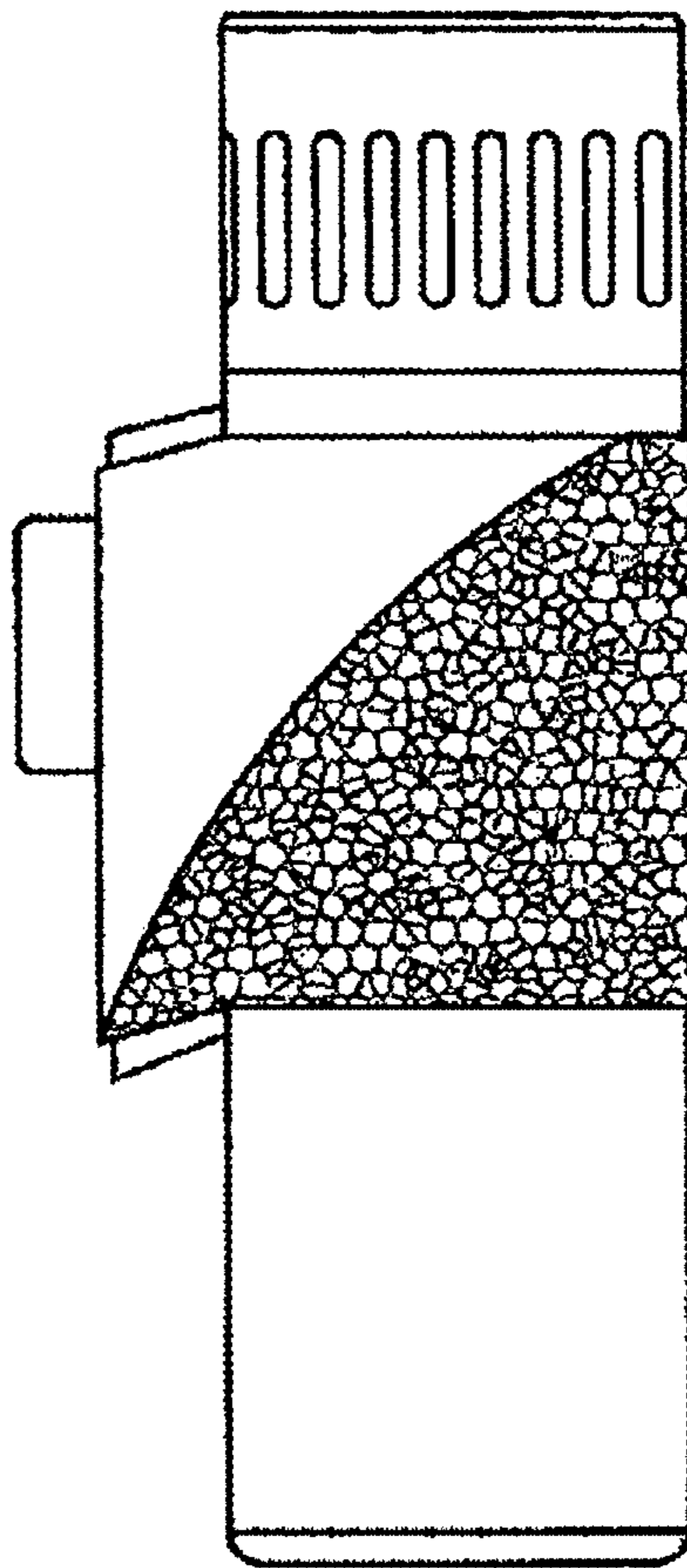


FIG. 5

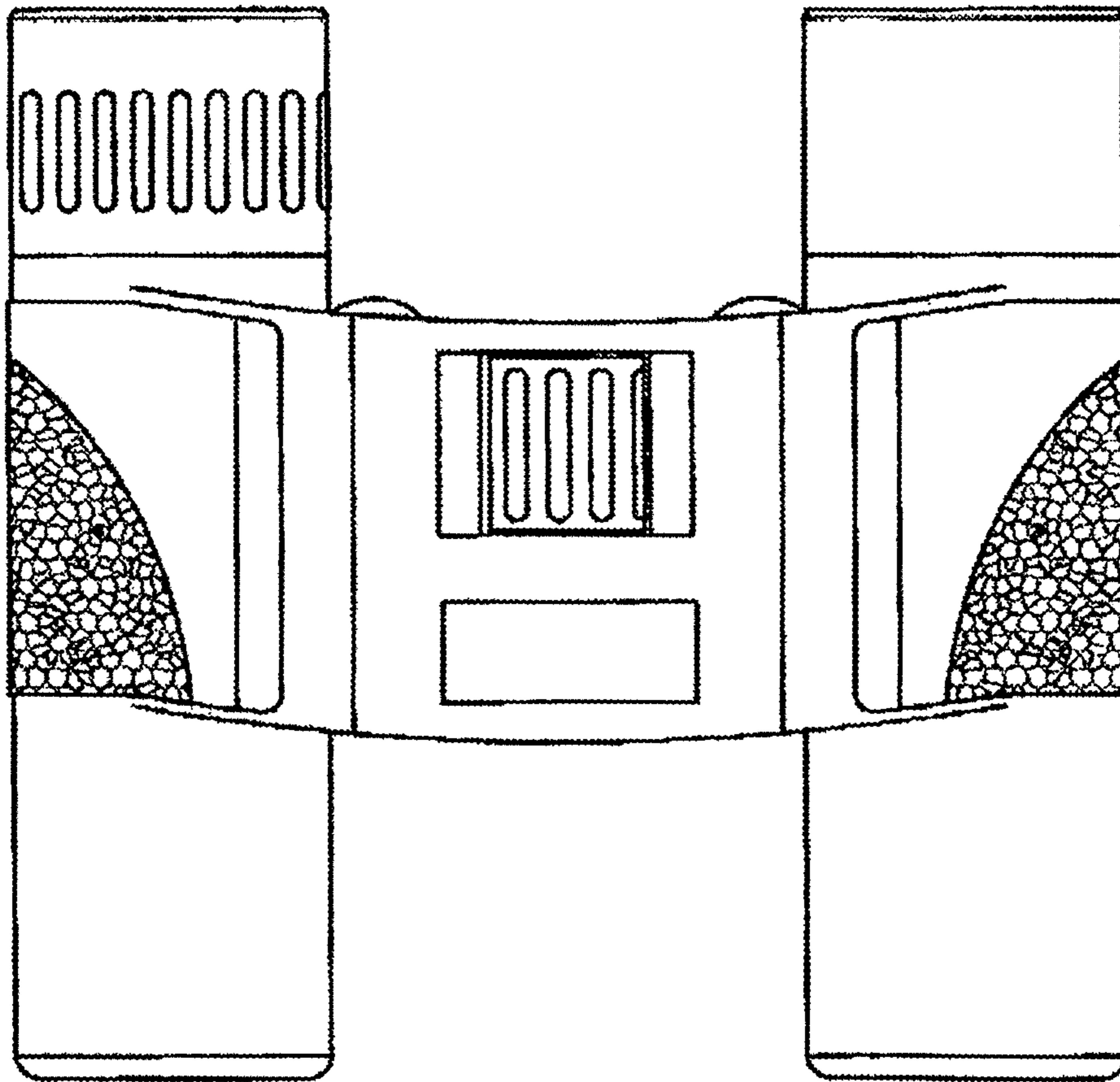


FIG. 6

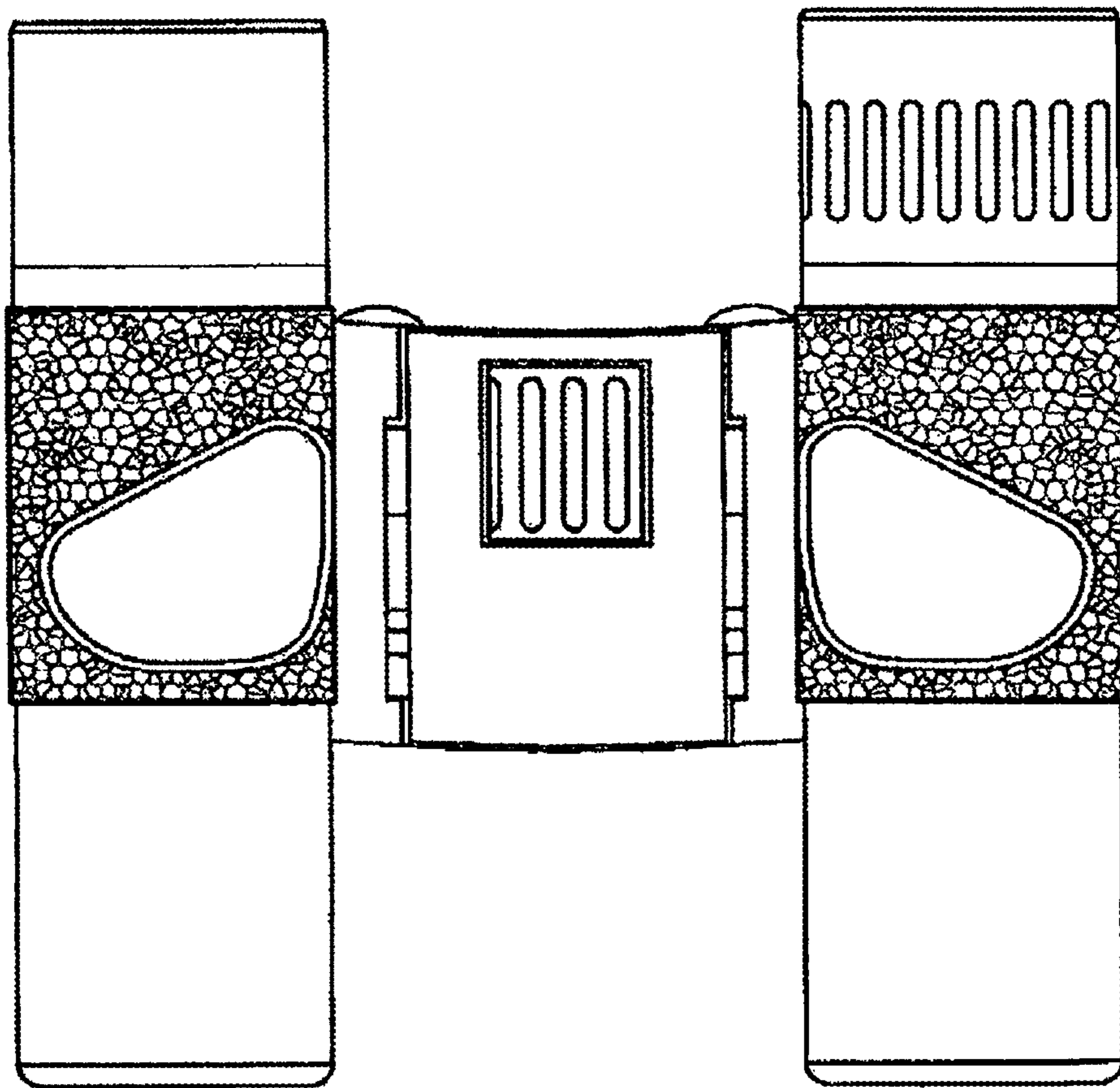


FIG. 7

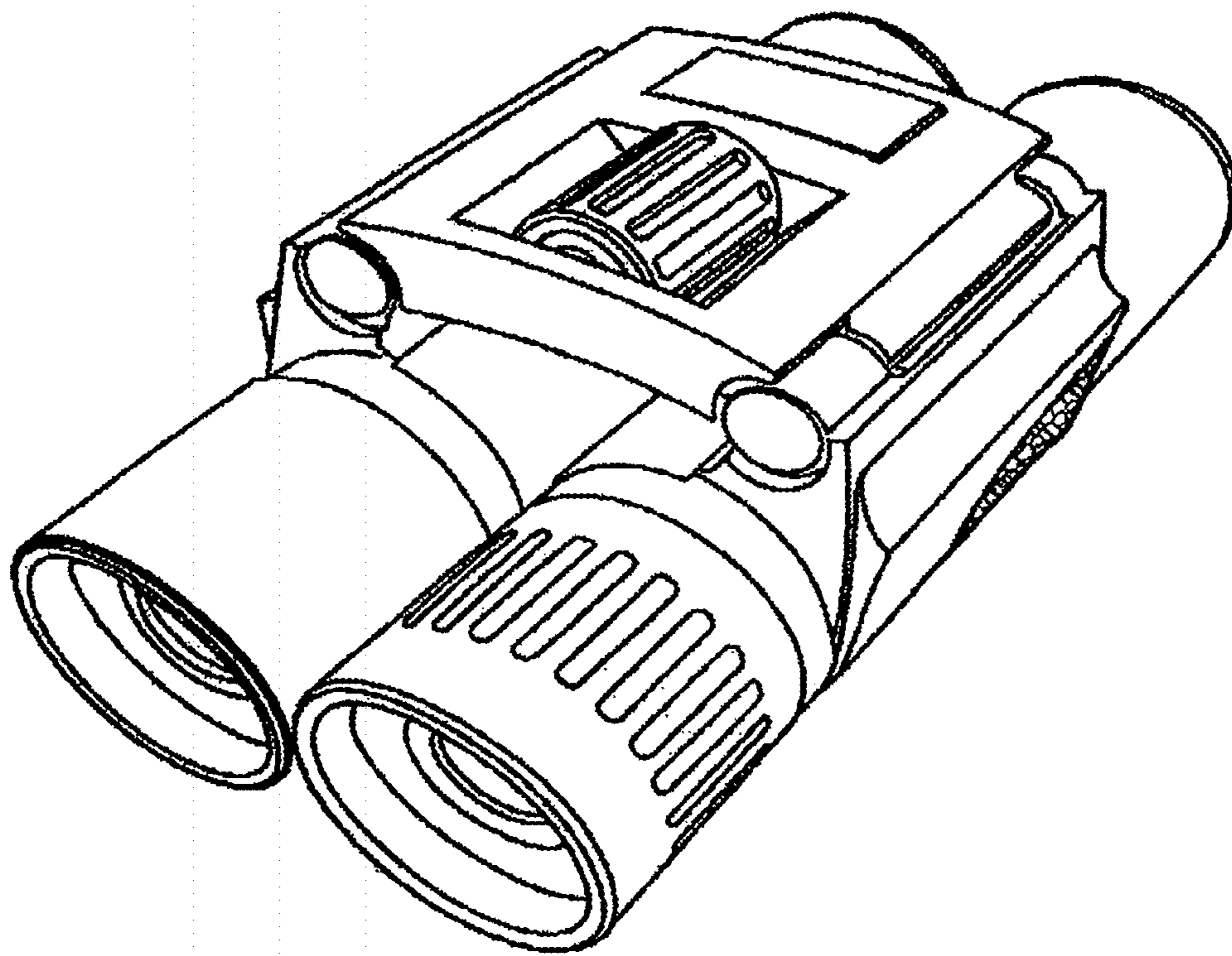


FIG. 8