



US00D854067S

(12) **United States Design Patent** (10) **Patent No.:** **US D854,067 S**  
**Tadesse** (45) **Date of Patent:** **\*\* Jul. 16, 2019**

(54) **CAMERA LENS ADAPTER**

FOREIGN PATENT DOCUMENTS

(71) Applicant: **SANDMARC, LLC**, San Diego, CA (US)

JP D2012-8405 \* 4/2012

(72) Inventor: **Abel Tadesse**, San Diego, CA (US)

OTHER PUBLICATIONS

(73) Assignee: **Sandmarc, LLC.**, San Diego, CA (US)

CamKix Universal 3 in 1 Cell Phone Camera Lens Kit for Smartphones. Online, published date unknown. Retrieved on Feb. 21, 2018 from URL: <https://www.amazon.com/CamKix-Universal-Camera-Smartphones-including/dp/B00FDLNR7E>.\*

(\*\*) Term: **15 Years**

(Continued)

(21) Appl. No.: **29/596,066**

*Primary Examiner* — Susan Bennett Hattan

(22) Filed: **Mar. 4, 2017**

*Assistant Examiner* — Omeed Agilee

(51) **LOC (11) Cl.** ..... **16-99**

(74) *Attorney, Agent, or Firm* — Sarah M. Walkington

(52) **U.S. Cl.**  
USPC ..... **D16/130**; D16/136

(57) **CLAIM**

(58) **Field of Classification Search**  
USPC ..... D16/130–136, 200, 204, 208, 213, 219, D16/237–250; D14/432, 447; D13/154  
CPC ..... G03B 17/56; G03B 17/561–568; G03B 21/20; G02B 7/00–7/002; G02B 13/06; F16M 11/02; F16M 11/04; F16M 11/20; F16M 11/40

The ornamental design for a camera lens adapter, as shown and described.

See application file for complete search history.

**DESCRIPTION**

(56) **References Cited**

FIG. 1 is a perspective view of a lens adapter showing my new design;  
FIG. 2 is a side elevational view of the lens adapter of FIG. 1;  
FIG. 3 is an opposite side elevational view of the lens adapter of FIG. 1;  
FIG. 4 is a top plan view of the lens adapter of FIG. 1;  
FIG. 5 is a bottom plan view of the lens adapter of FIG. 1;  
FIG. 6 is a front elevational view of the lens adapter of FIG. 1;  
FIG. 7 is a rear elevation view of the lens adapter of FIG. 1;  
FIG. 8 is a perspective view of the lens adapter of FIG. 1 in a position of use with an associated lens; and,  
FIG. 9 is another perspective view of the lens adapter of FIG. 1 in a position of use with an associated lens and mobile device.

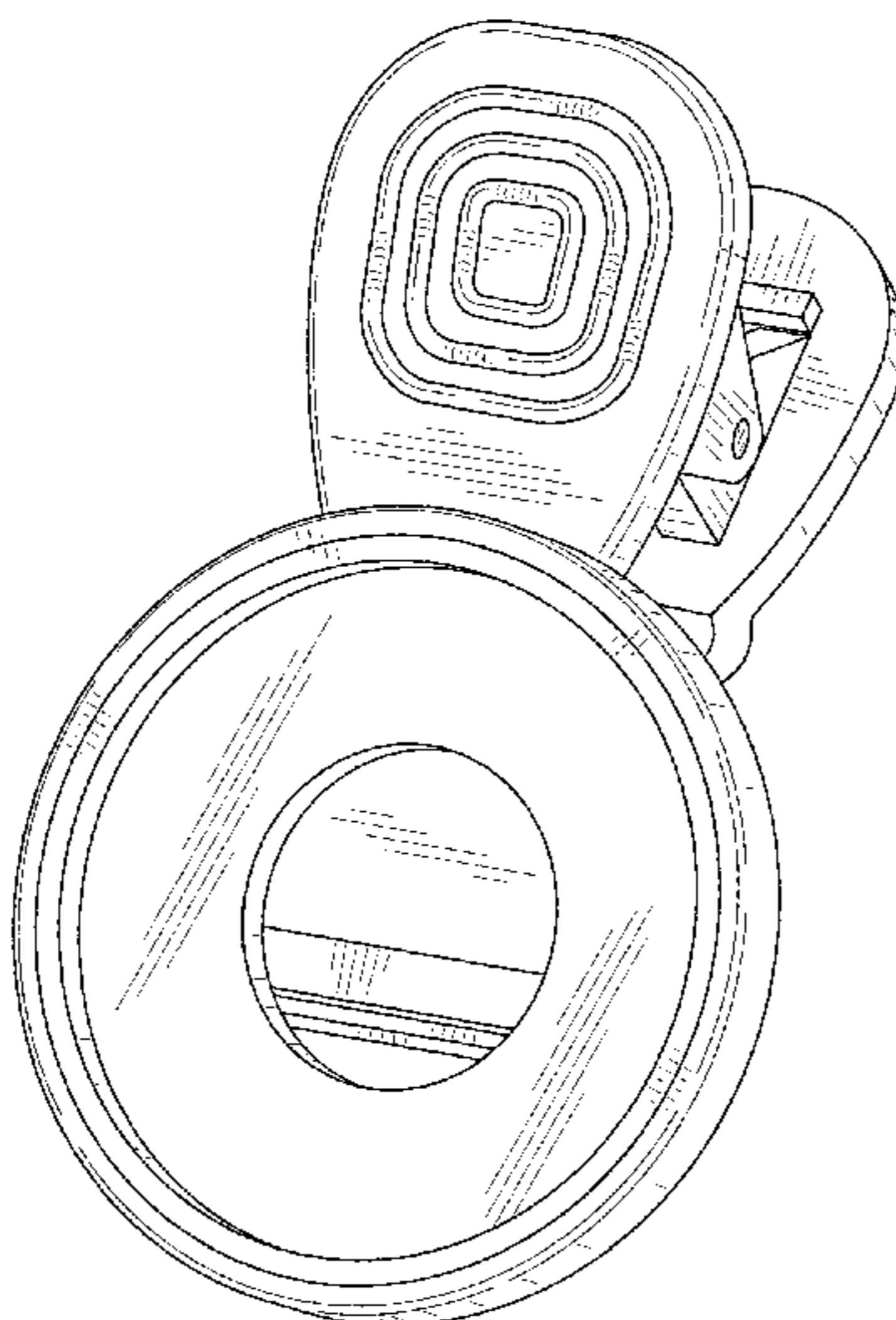
U.S. PATENT DOCUMENTS

|                |         |         |       |             |
|----------------|---------|---------|-------|-------------|
| D567,619 S *   | 4/2008  | Rianda  | ..... | D8/73       |
| D625,172 S *   | 10/2010 | Pauwels | ..... | D8/358      |
| D658,693 S *   | 5/2012  | Suzuki  | ..... | D15/138     |
| D672,795 S *   | 12/2012 | Inkster | ..... | D15/139     |
| D692,472 S *   | 10/2013 | Samuels | ..... | D16/136     |
| D699,275 S *   | 2/2014  | Samuels | ..... | D16/136     |
| D708,652 S *   | 7/2014  | Hyers   | ..... | D16/136     |
| D745,917 S *   | 12/2015 | Oh      | ..... | D16/136     |
| D753,256 S *   | 4/2016  | Azhocar | ..... | D22/108     |
| D753,257 S *   | 4/2016  | Azhocar | ..... | D22/108     |
| D770,552 S *   | 11/2016 | Radl    | ..... | D16/130     |
| 9,661,200 B2 * | 5/2017  | O'Neill | ..... | H04N 5/2254 |

The broken lines in the drawings depict environmental subject matter that forms no part of the claimed design.

(Continued)

**1 Claim, 6 Drawing Sheets**



(56)

**References Cited**

U.S. PATENT DOCUMENTS

D791,853 S \* 7/2017 Capaul-Weber ..... D16/219  
2016/0054546 A1\* 2/2016 Yin ..... G02B 13/06  
359/716  
2018/0039165 A1\* 2/2018 Ho ..... G03B 17/566

OTHER PUBLICATIONS

Amir Camera Lens Kit. Online, published date unknown. Retrieved on Feb. 12, 2018 from URL: [https://www.amazon.com/dp/B0179JX8GC/ref=psdc\\_15124502011\\_t2\\_B00FDLNR7E](https://www.amazon.com/dp/B0179JX8GC/ref=psdc_15124502011_t2_B00FDLNR7E).\*

Cell Phone Camera Lens . Online, published date unknown. Retrieved on Feb. 12, 2018 from URL: [https://www.amazon.com/Camera-ZPTONE-Samsung-Android-Smartphones/dp/B074TGMFD3/ref=pd\\_sbs\\_107\\_4?encoding=UTF8&pd\\_rd\\_i=B074TGMFD3&pd\\_rd\\_r=ZDAWGGRJGT03WTXPSK1S&pd\\_rd\\_w=BbBqN&pd\\_rd\\_wg=4FwFX&pvc=1&](https://www.amazon.com/Camera-ZPTONE-Samsung-Android-Smartphones/dp/B074TGMFD3/ref=pd_sbs_107_4?encoding=UTF8&pd_rd_i=B074TGMFD3&pd_rd_r=ZDAWGGRJGT03WTXPSK1S&pd_rd_w=BbBqN&pd_rd_wg=4FwFX&pvc=1&).\*

Take professional-quality photos. Online, published date Jun. 7, 2017. Retrieved on Feb. 12, 2018 from URL: <https://www.digitaltrends.com/photography/sandmarc-kickstarter-camera-filters/> (Year: 2017).\*

\* cited by examiner

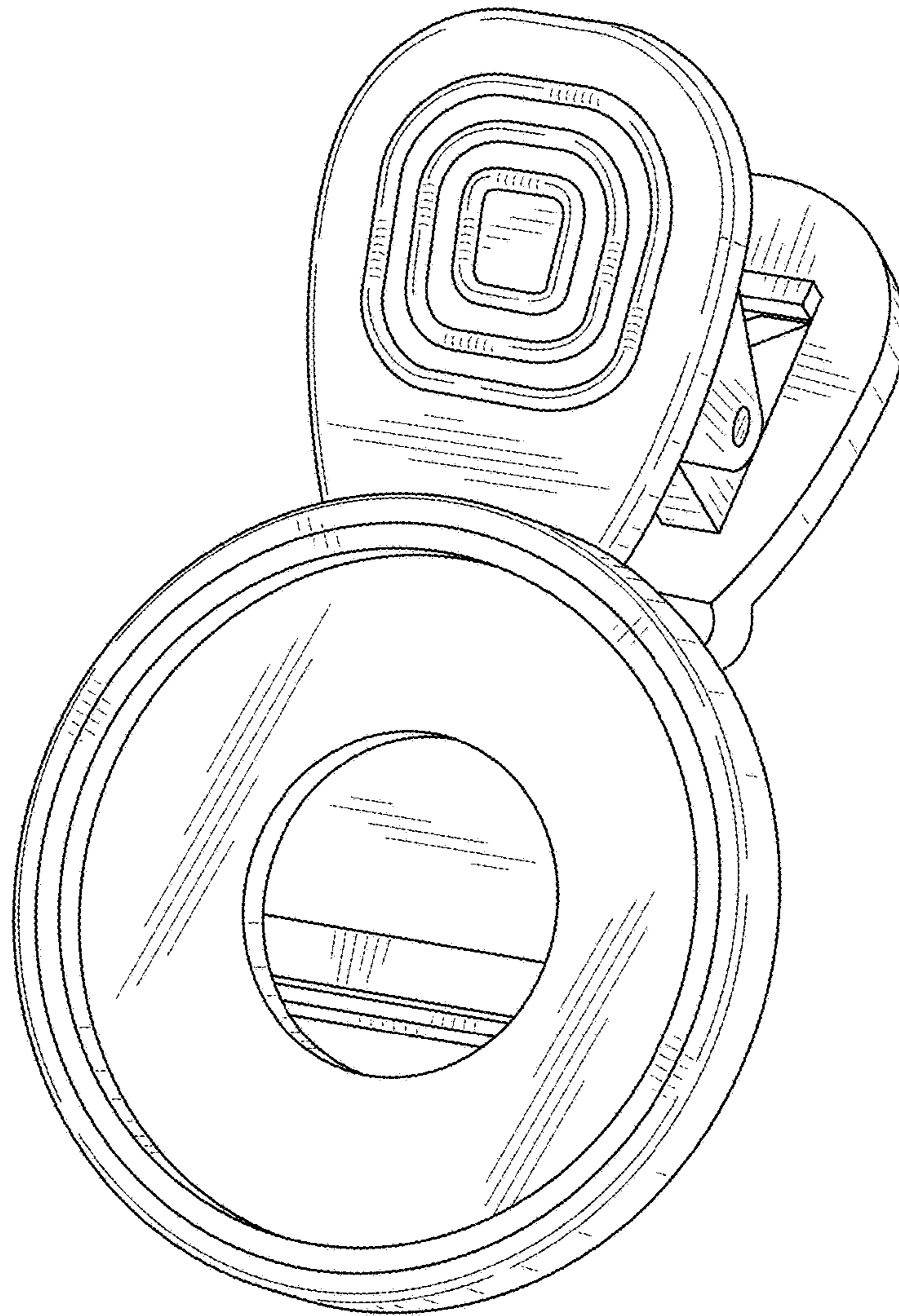


FIG. 1

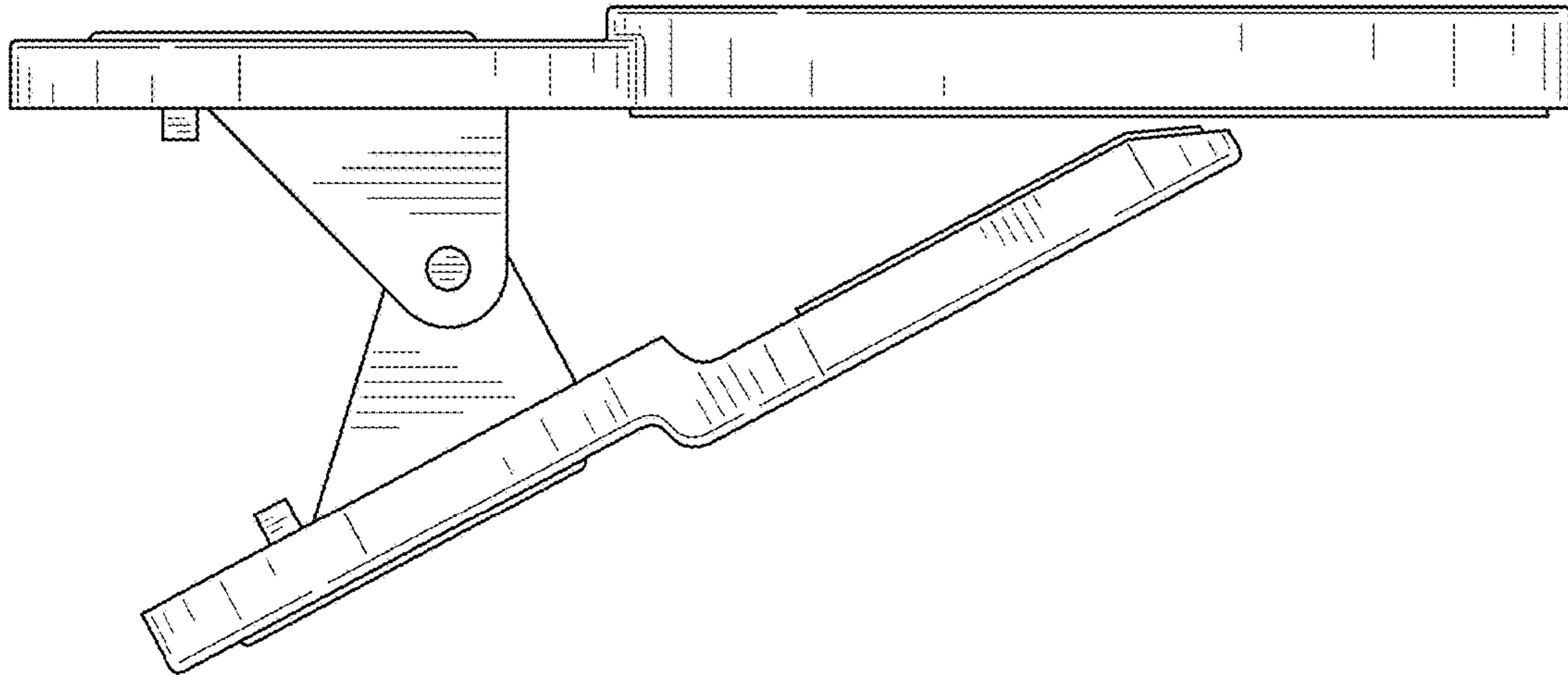


FIG. 2

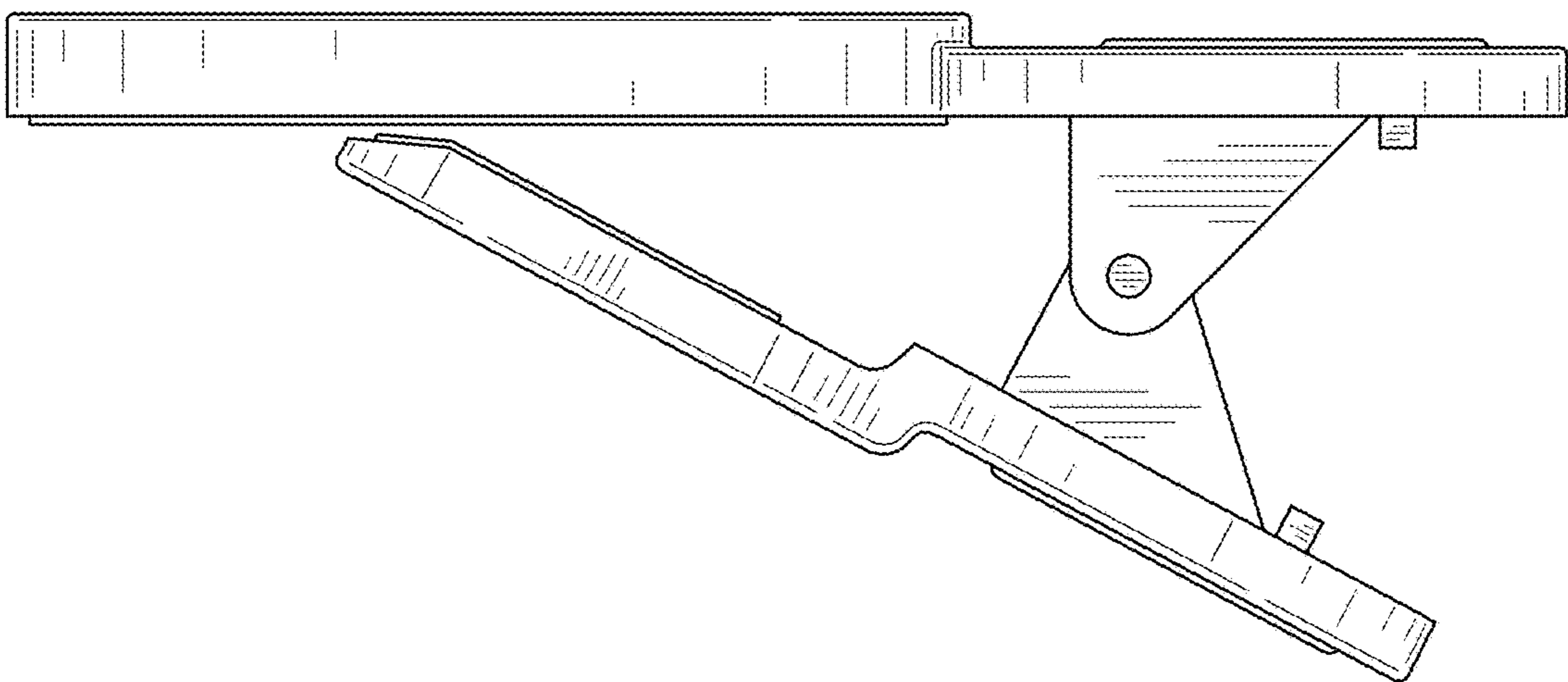


FIG. 3

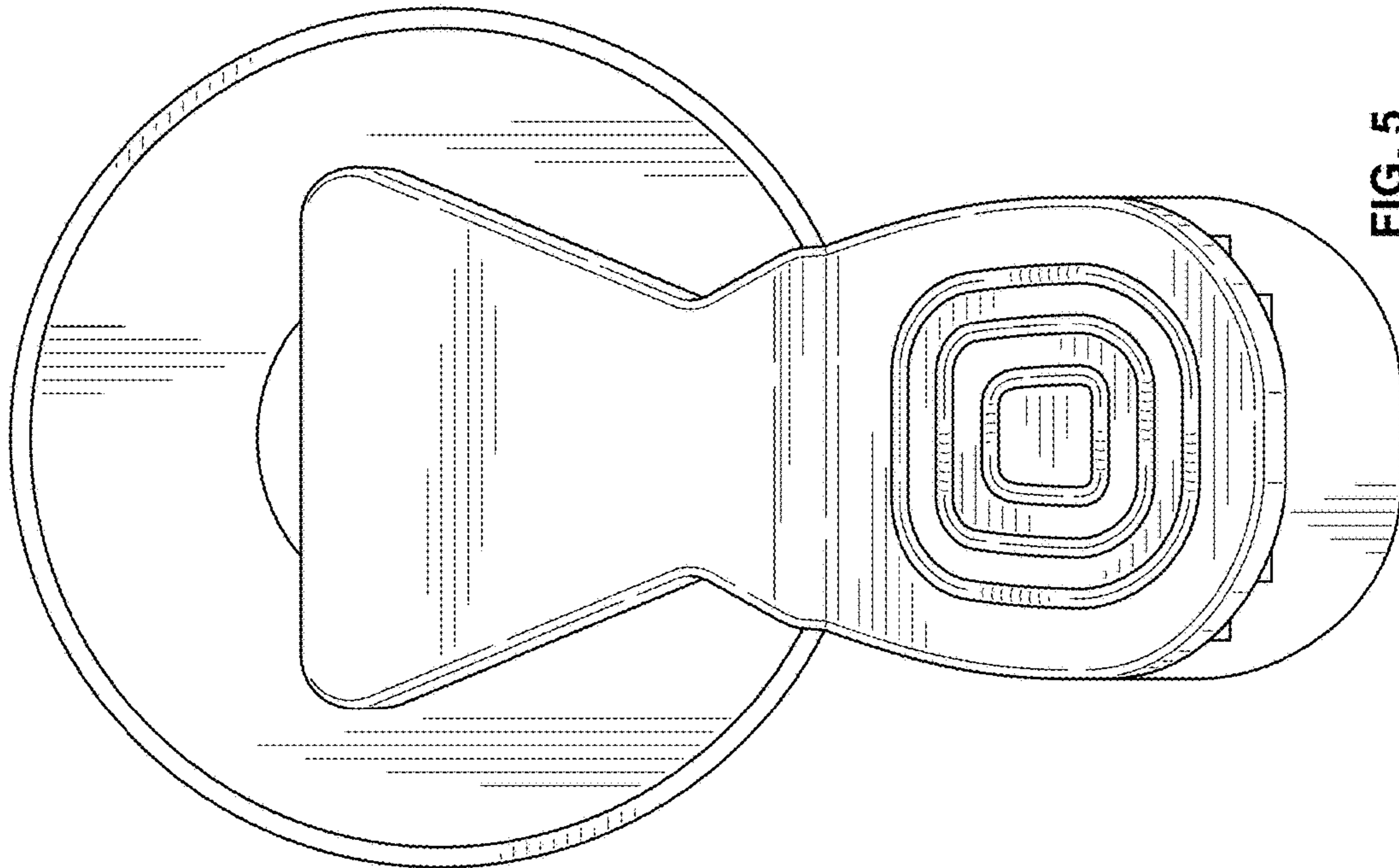


FIG. 5

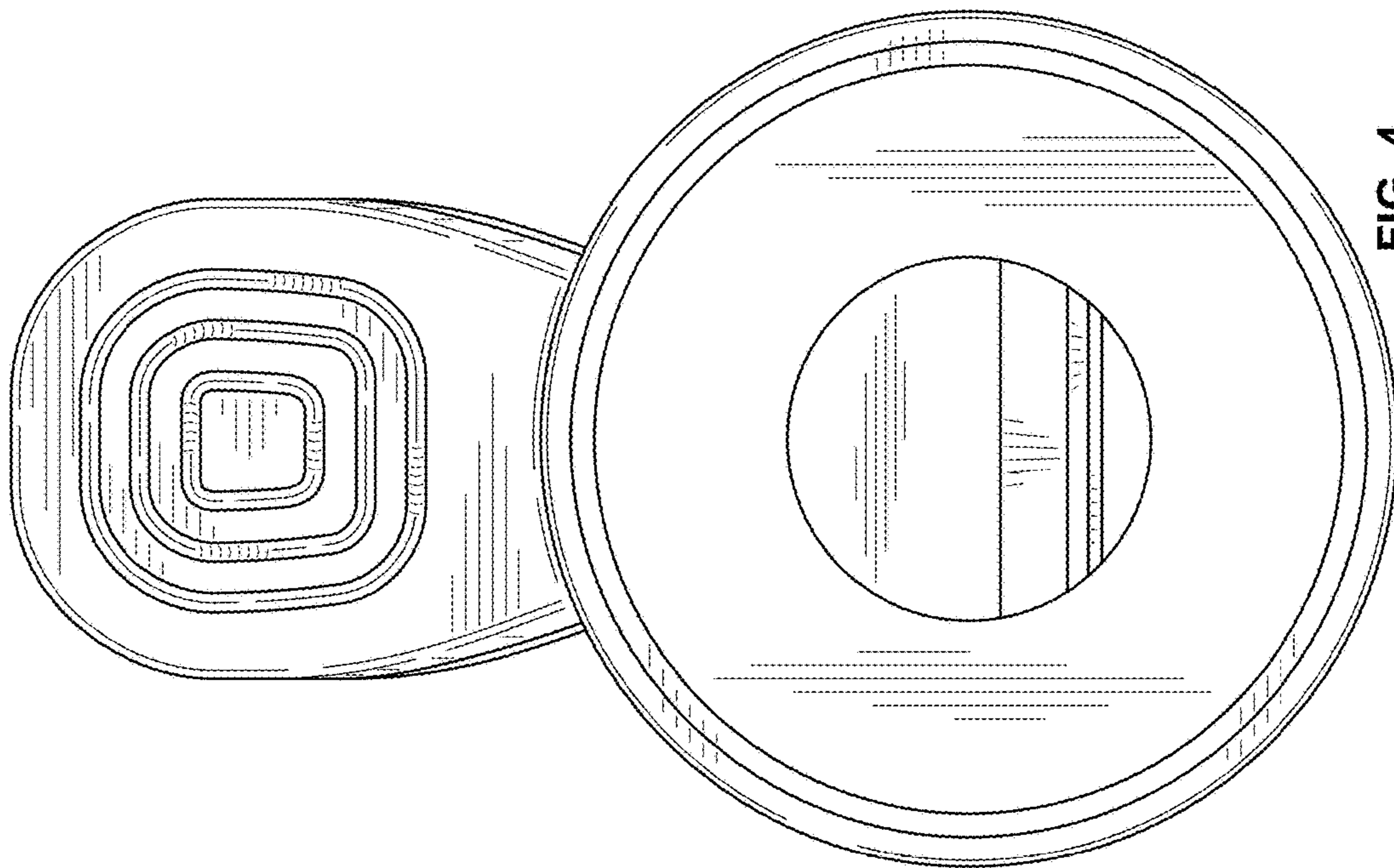


FIG. 4

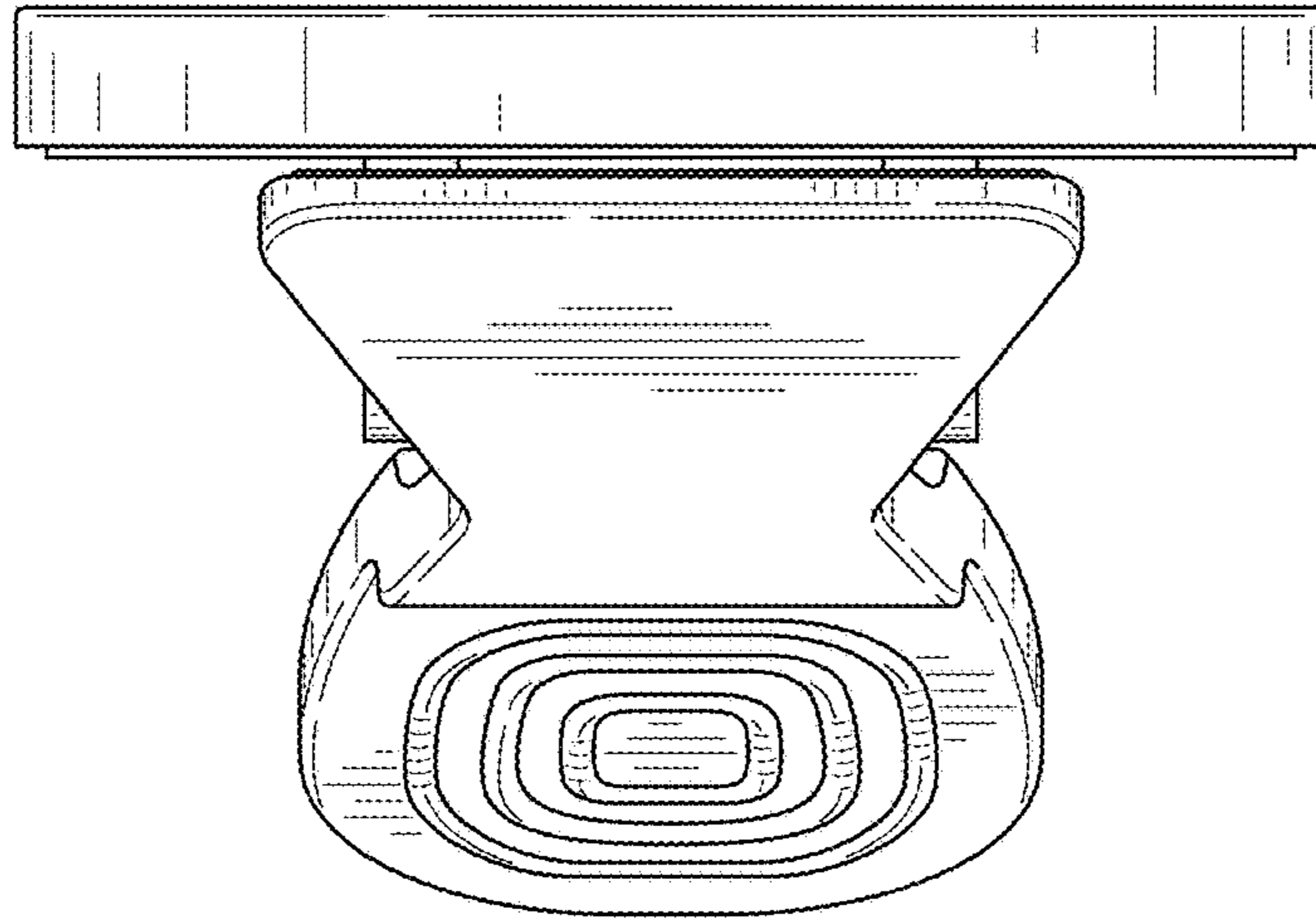


FIG. 6

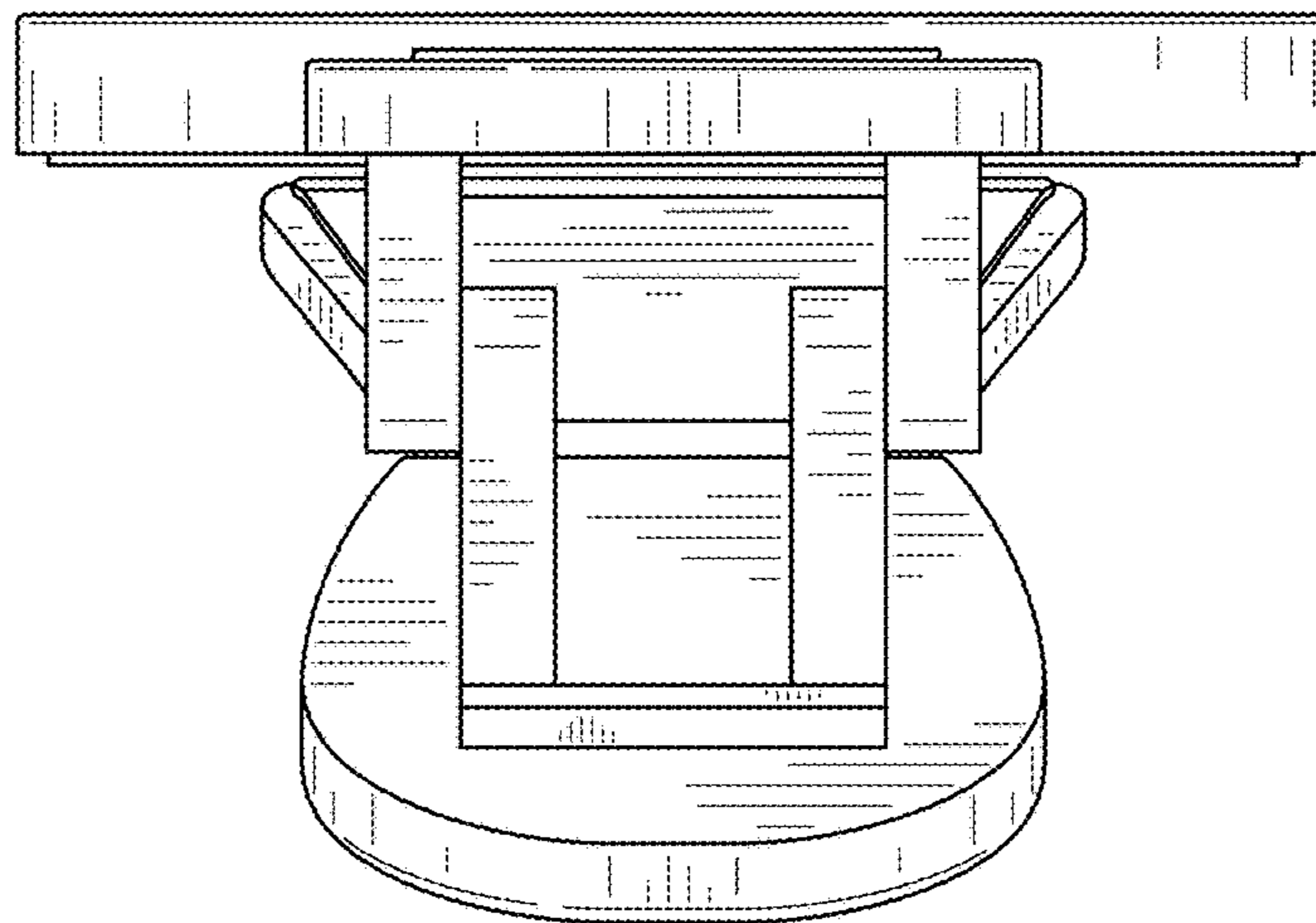


FIG. 7

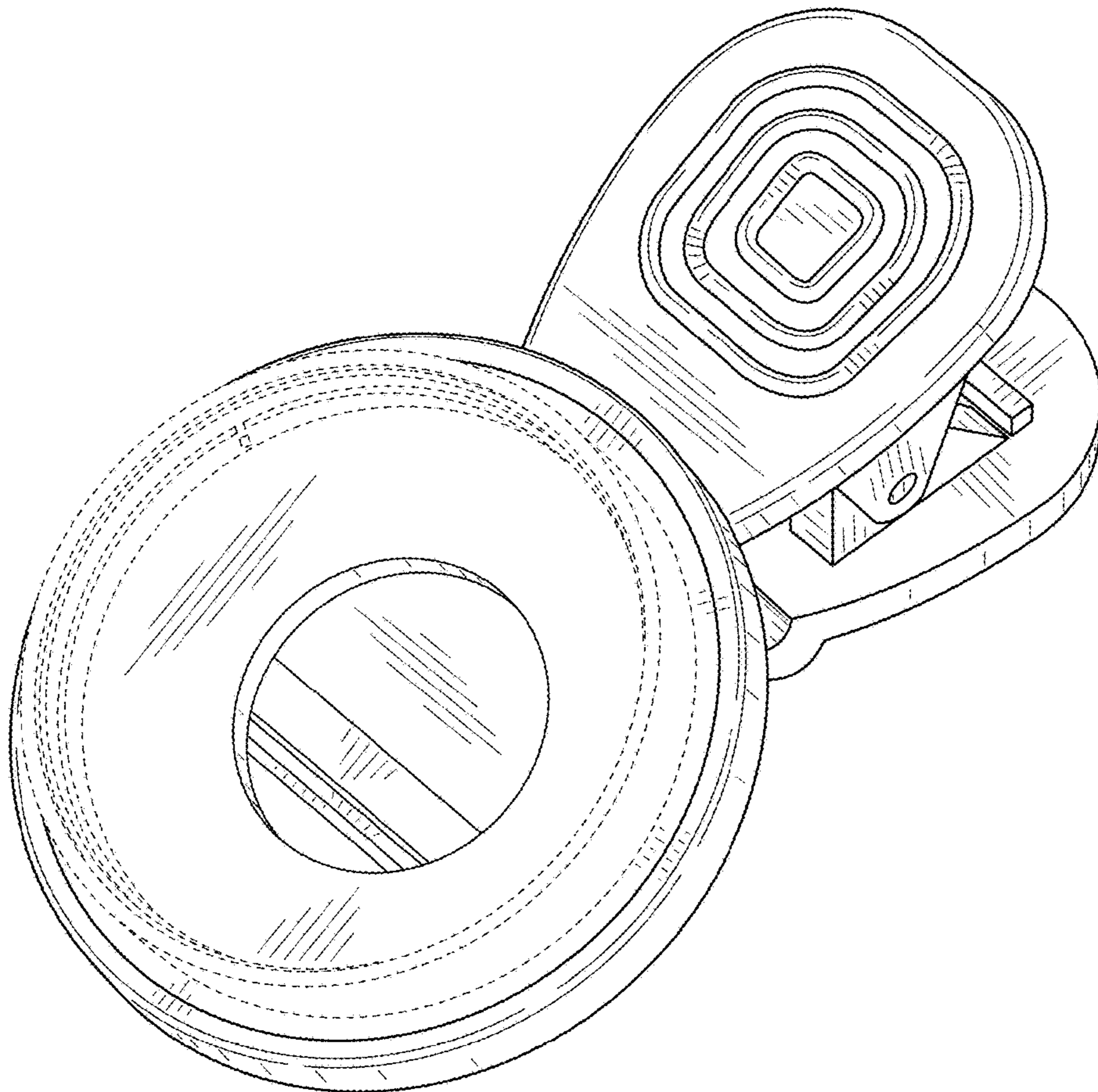


FIG. 8

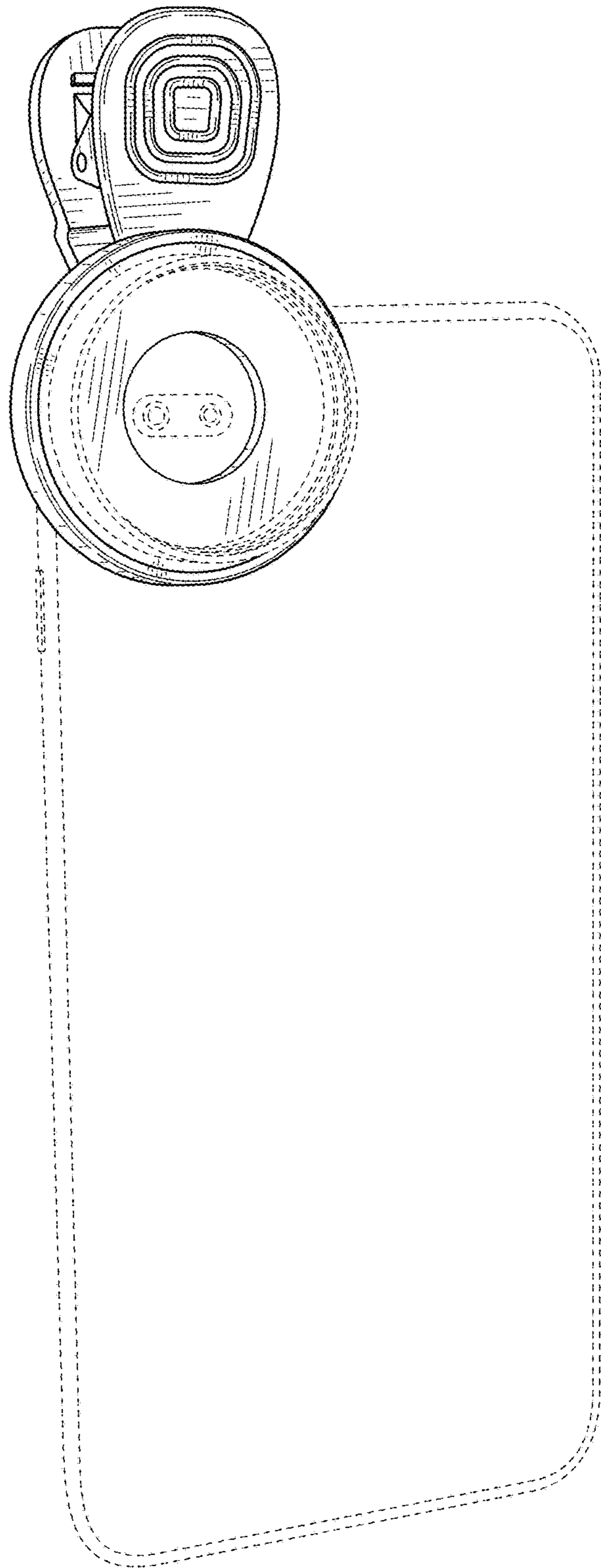


FIG. 9