



US00D854064S

(12) **United States Design Patent**  
**Mayer**

(10) **Patent No.:** **US D854,064 S**

(45) **Date of Patent:** **\*\* Jul. 16, 2019**

(54) **HEAT PRESS**

D728,401 S \* 5/2015 Schulz ..... D10/83  
D791,207 S \* 7/2017 Haimer ..... D15/146  
D796,360 S \* 9/2017 Schulz ..... D10/83

(71) Applicant: **Mavericks Merchandise Inc.**, Everett,  
WA (US)

(72) Inventor: **Ryan Mayer**, Lynnwood, WA (US)

(\*\*) Term: **15 Years**

(21) Appl. No.: **29/602,909**

(22) Filed: **May 4, 2017**

(51) **LOC (11) Cl.** ..... **15-09**

(52) **U.S. Cl.**  
USPC ..... **D15/144**

(58) **Field of Classification Search**  
USPC ..... D8/29.1; D10/83; D13/123, 133;  
D15/122, 126, 128, 135, 136, 140, 144,  
D15/144.1, 144.2, 146  
CPC ..... A61K 36/37; A61K 36/185; B30B 9/047;  
B30B 15/34

See application file for complete search history.

(56) **References Cited**

**U.S. PATENT DOCUMENTS**

D275,292 S \* 8/1984 Bouman ..... D15/144  
D277,761 S \* 2/1985 Korovin ..... D15/144  
D277,864 S \* 3/1985 Hoffman, Jr. .... D15/128  
D280,329 S \* 8/1985 Bouman ..... D15/144  
D354,303 S \* 1/1995 Noonan ..... D18/15  
D361,337 S \* 8/1995 Hardy ..... D15/123  
5,710,414 A \* 1/1998 Matsen ..... B21D 26/021  
219/633  
D404,828 S \* 1/1999 Matsunaga ..... D24/217  
D405,191 S \* 2/1999 Matsunaga ..... D24/217  
D470,872 S \* 2/2003 Childs ..... D15/135  
D691,501 S \* 10/2013 Schulz ..... D10/83

**OTHER PUBLICATIONS**

Ronsinbomb M50, posted on trimleaf.com, earliest review posted Feb. 24, 2017, no production date given, [online], [site visited Mar. 22, 2018], Available from Internet, URL: <https://www.trimleaf.com/products/rosinbomb-m50-electric-rosin-press> (Year: 2017).\*

\* cited by examiner

*Primary Examiner* — Garth Rademaker

*Assistant Examiner* — Fritzgerald L Butac

(74) *Attorney, Agent, or Firm* — S. Elizabeth Miller

(57) **CLAIM**

The ornamental design for a heat press, as shown and described.

**DESCRIPTION**

FIG. 1 is a front perspective view of a heat press, showing my new design;

FIG. 2 is a front view thereof;

FIG. 3 is a rear view thereof;

FIG. 4 is a first side view thereof;

FIG. 5 is a second side view thereof;

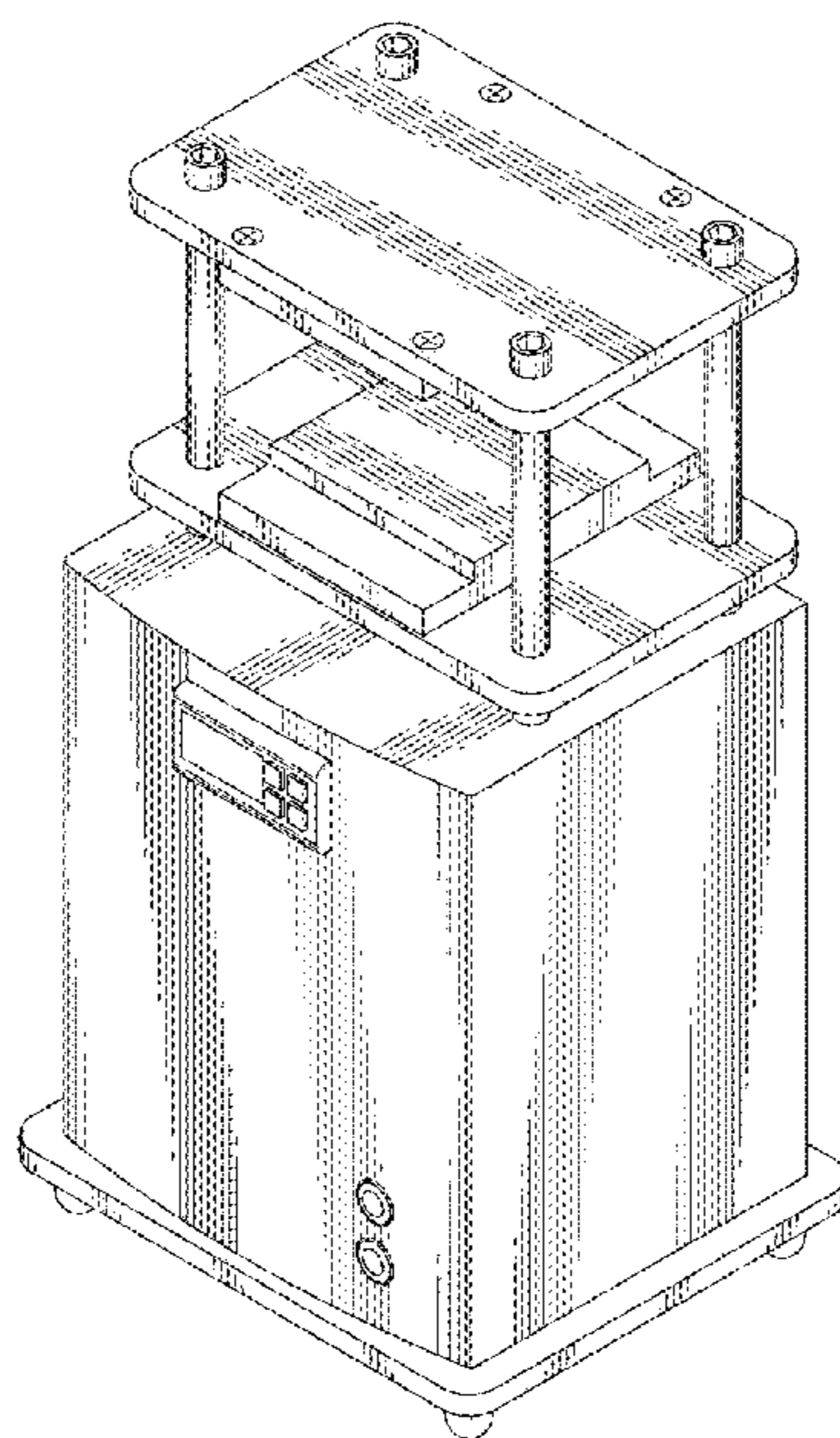
FIG. 6 is a top plan view thereof; and,

FIG. 7 is a bottom plan view thereof.

The broken lines show portions of a heat press that form no part of the claimed design.

The broken lines in FIGS. 4-7 represent a symbolic break in the length of the cord of a heat press, and form no part of the claimed design.

**1 Claim, 4 Drawing Sheets**



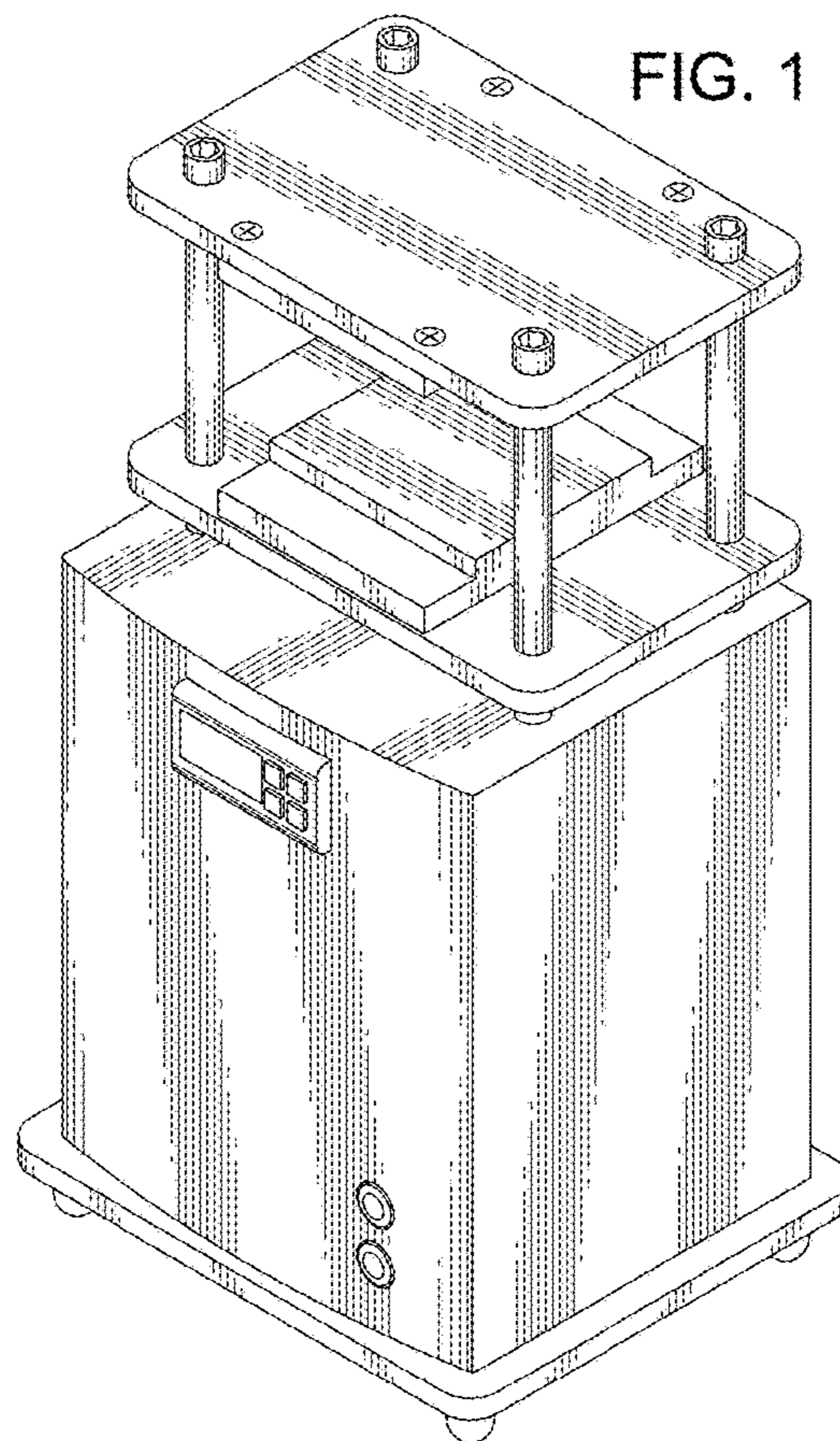


FIG. 3

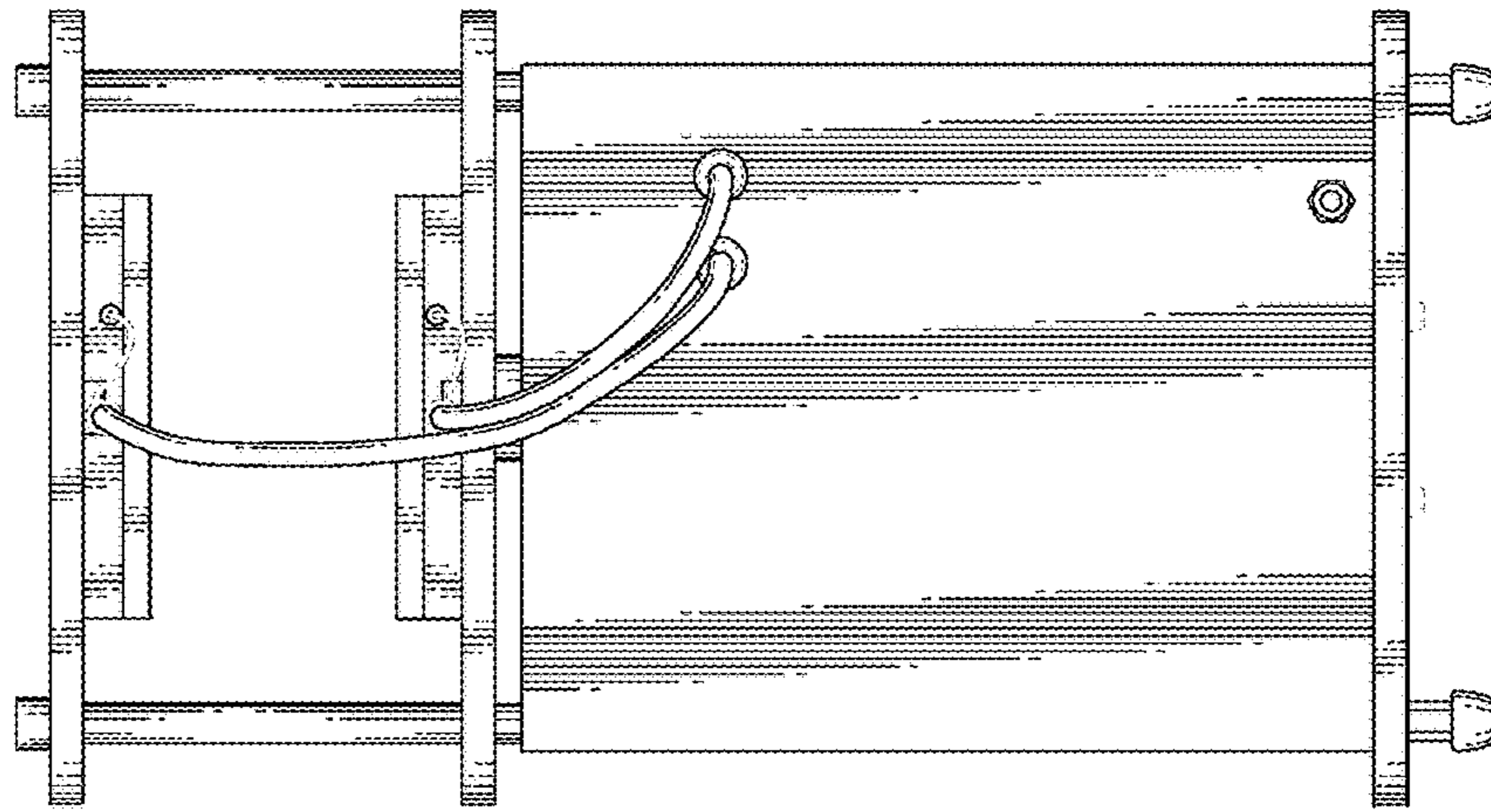


FIG. 2

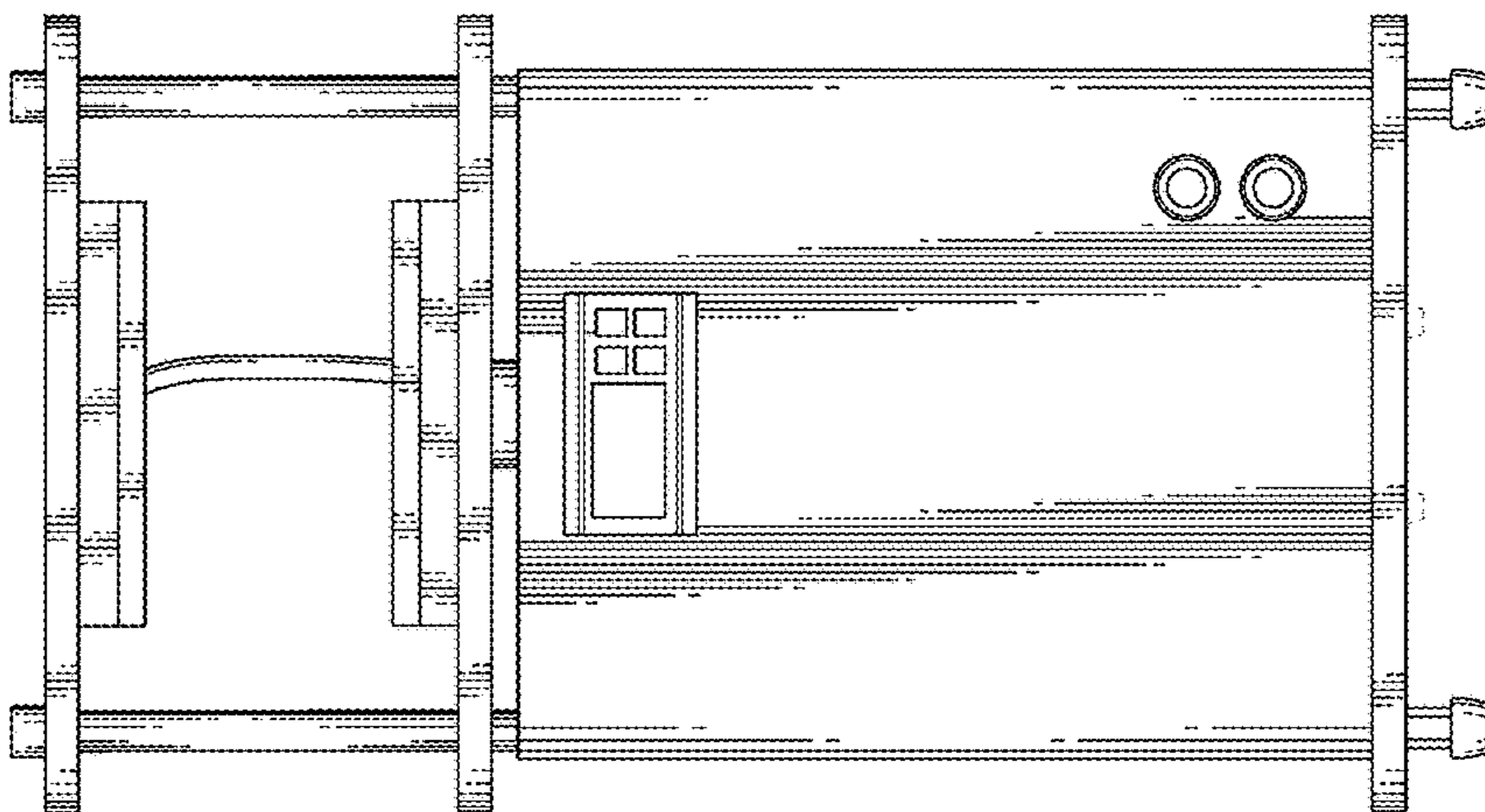


FIG. 5

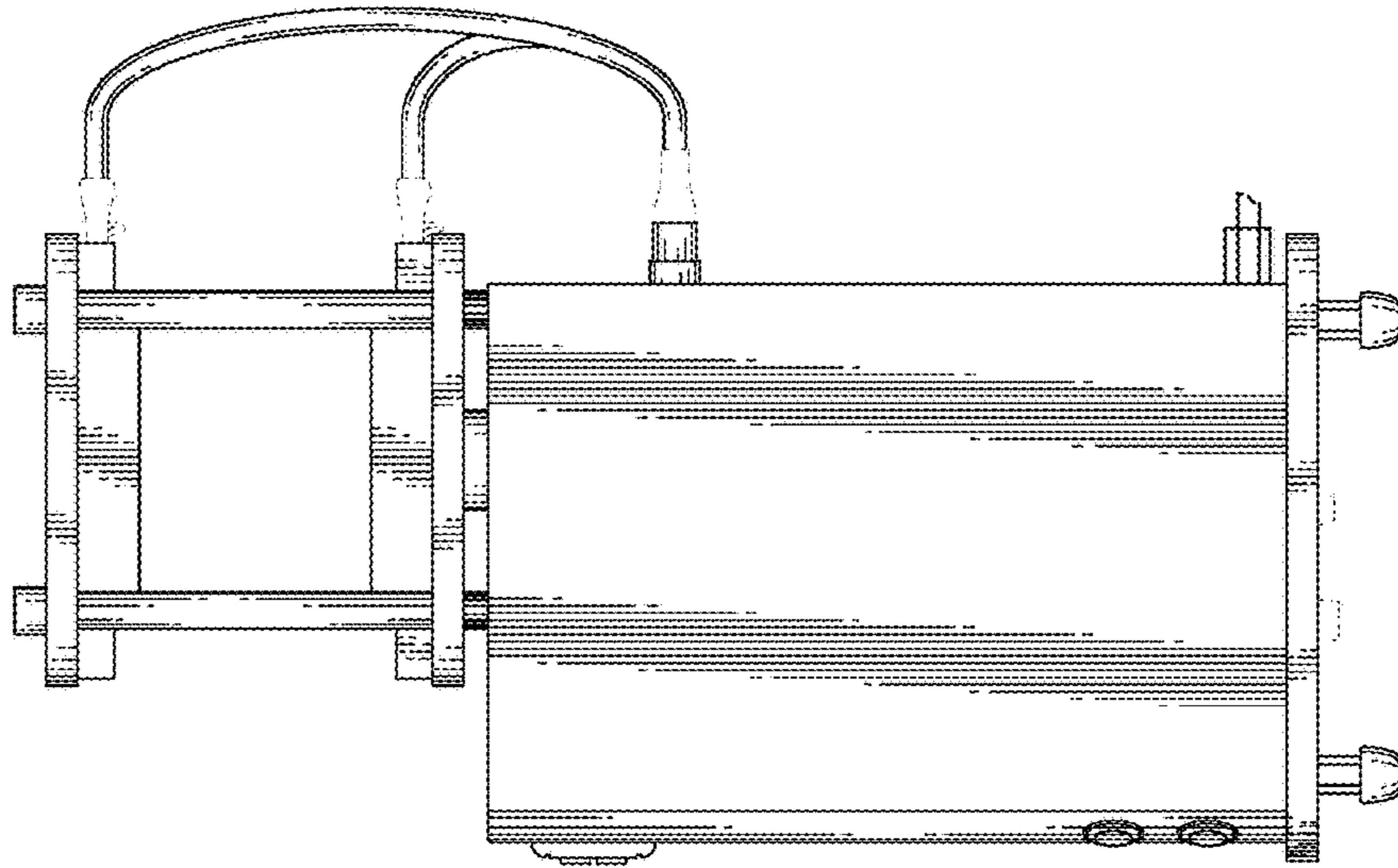


FIG. 4

