



US00D854059S

(12) **United States Design Patent**  
**Lerea et al.**

(10) **Patent No.:** **US D854,059 S**  
(45) **Date of Patent:** **\*\* Jul. 16, 2019**

(54) **CUTTING DEVICE**

(71) Applicant: **Floworx Inc.**, Bronx, NY (US)

(72) Inventors: **Nisan Lerea**, Bronx, NY (US);  
**Matthew Nowicki**, Maywood, NJ (US);  
**Daniel Meana**, Demarest, NJ (US);  
**Christian Moore**, Philadelphia, PA (US)

(73) Assignee: **WAZER INC.**, Bronx, NY (US)

(\*\*) Term: **15 Years**

(21) Appl. No.: **29/616,808**

(22) Filed: **Sep. 8, 2017**

(51) **LOC (11) Cl.** ..... **15-09**

(52) **U.S. Cl.**  
USPC ..... **D15/127**

(58) **Field of Classification Search**  
USPC ..... D15/122, 127, 133  
CPC .. B26D 5/00; B26D 5/34; B26D 5/005; B26F 1/3806; Y10T 83/541; Y10T 83/8748; Y10T 83/8765; Y10T 83/8822  
See application file for complete search history.

(56) **References Cited**

**U.S. PATENT DOCUMENTS**

D286,407 S *	10/1986	Itoh .....	D15/127
4,683,791 A *	8/1987	Demont .....	B26D 5/22 83/16
D325,388 S *	4/1992	Saito .....	D15/127
D328,080 S *	7/1992	Oka .....	D15/127
D329,437 S *	9/1992	Pampus .....	D15/127
D343,626 S *	1/1994	Fan .....	D15/127
D425,082 S *	5/2000	Cunningham .....	D15/122
D427,614 S *	7/2000	Miyake .....	D15/127
D428,025 S *	7/2000	Miyake .....	D15/127
D445,435 S *	7/2001	Chiang .....	D15/127
D445,807 S *	7/2001	Baulk .....	D15/127

D542,311 S *	5/2007	Inaba .....	D15/127
D544,003 S *	6/2007	Inaba .....	D15/127
D545,330 S *	6/2007	DiPasquale .....	D15/133
D557,295 S *	12/2007	Formanek .....	D15/127
D604,344 S *	11/2009	Weingart .....	D15/124
D614,214 S *	4/2010	Vander Woude .....	D15/127
D625,744 S *	10/2010	Wang .....	D15/127
D638,449 S *	5/2011	Schindler .....	D15/122
D638,450 S *	5/2011	Hayes .....	D15/127
D649,174 S *	11/2011	Schindler .....	D15/127

(Continued)

*Primary Examiner* — Patricia A Palasik

(74) *Attorney, Agent, or Firm* — Hodgson Russ LLP

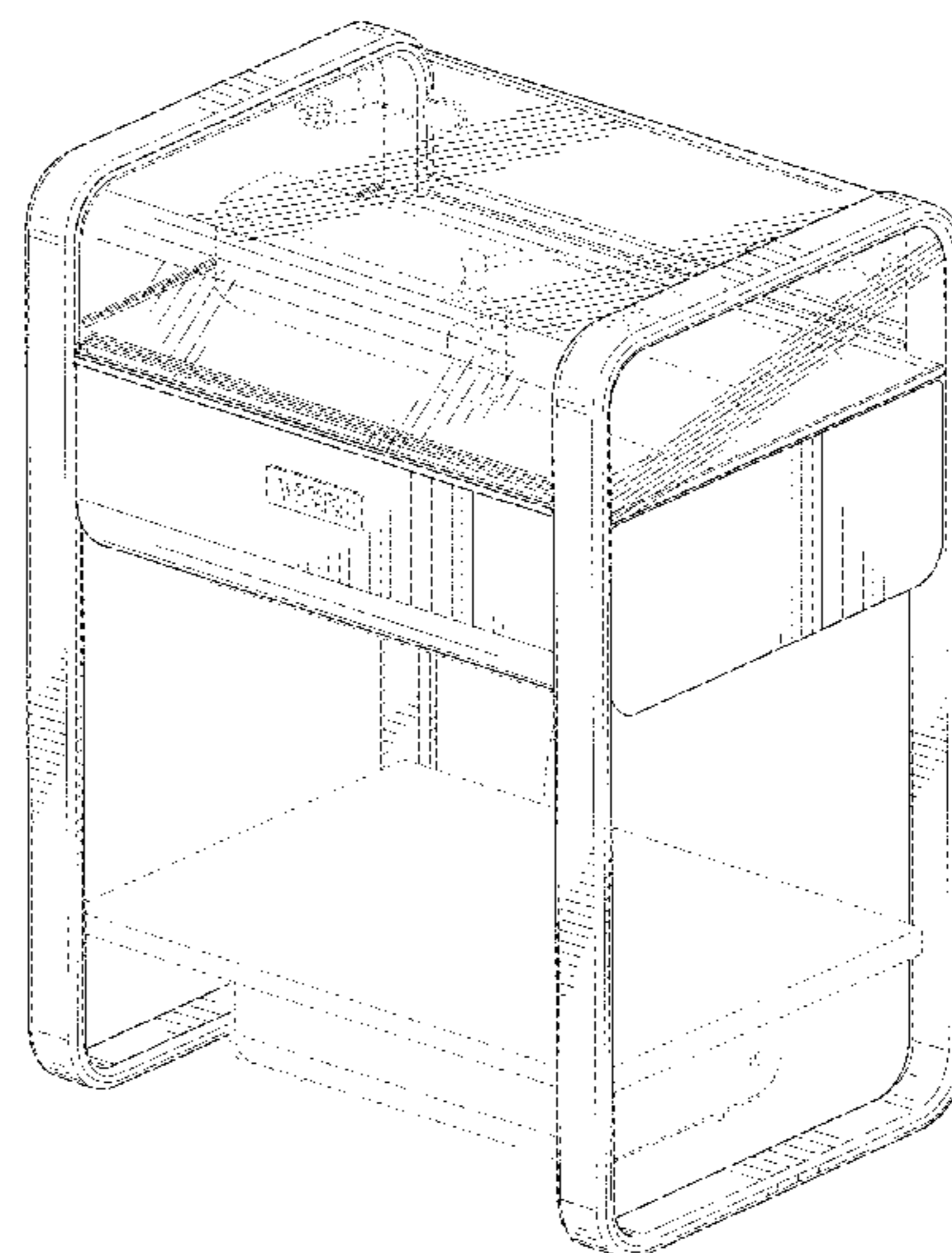
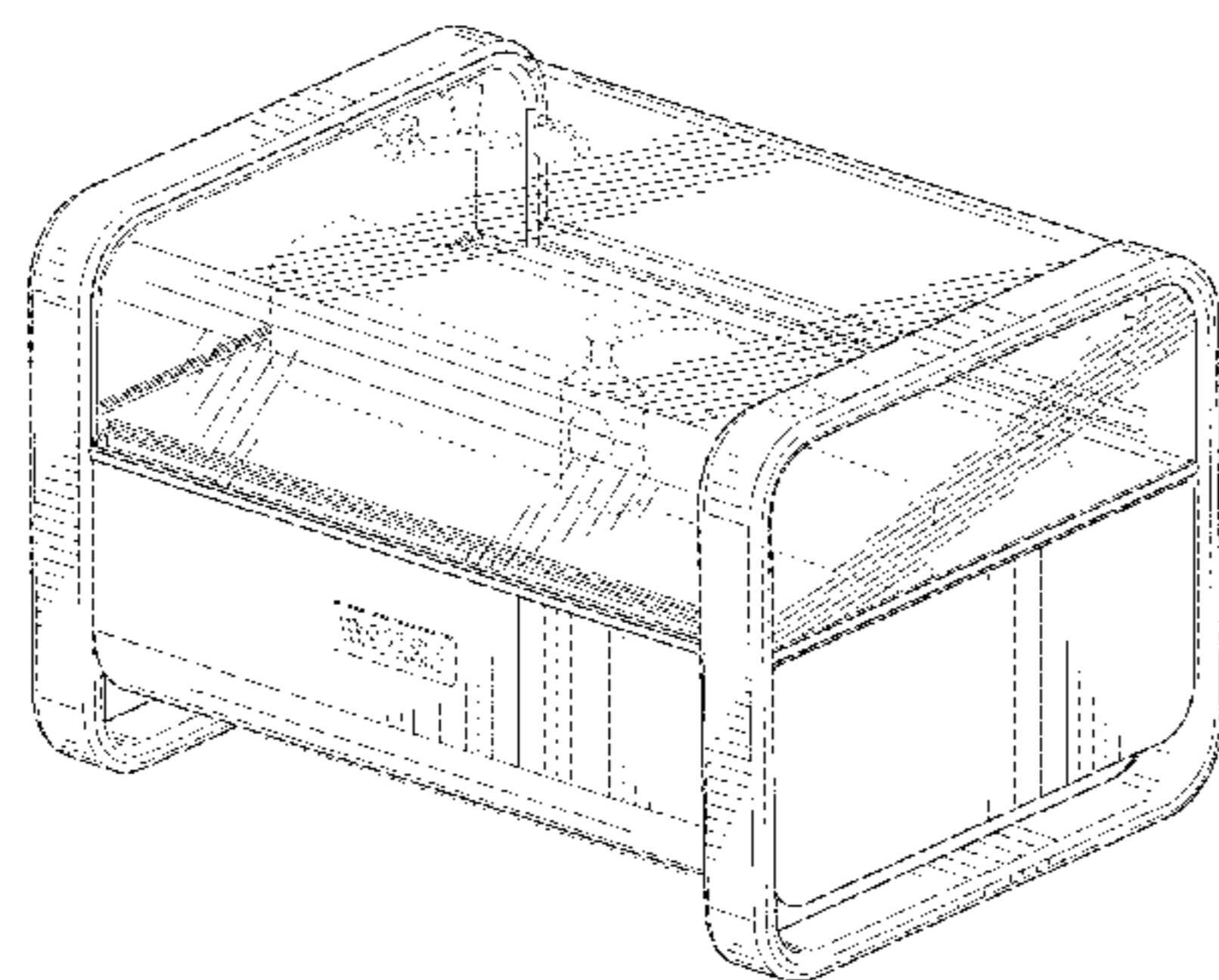
(57) **CLAIM**

The ornamental design for a cutting device, as shown and described.

**DESCRIPTION**

FIG. 1 is a front perspective view of a first embodiment of a cutting device, showing our new design; FIG. 2 is a rear perspective view thereof; FIG. 3 is a front elevational view thereof; FIG. 4 is a rear elevational view thereof; FIG. 5 is a right side elevational view thereof; FIG. 6 is a left side elevational view thereof; FIG. 7 is a top plan view thereof; FIG. 8 is a bottom plan view thereof; FIG. 9 is a front perspective view of a second embodiment of a cutting device, showing our new design; FIG. 10 is a rear perspective view thereof; FIG. 11 is a front elevational view thereof; FIG. 12 is a rear elevational view thereof; FIG. 13 is a right side elevational view thereof; FIG. 14 is a left side elevational view thereof; FIG. 15 is a top plan view thereof; and, FIG. 16 is a bottom plan view thereof. The broken lines represent unclaimed features of the cutting device and form no part of the claimed design.

**1 Claim, 16 Drawing Sheets**



(56)

**References Cited**

U.S. PATENT DOCUMENTS

D681,699 S \* 5/2013 Lin ..... D15/122  
2001/0049989 A1 \* 12/2001 Takeuchi ..... B26D 5/00  
83/614

\* cited by examiner

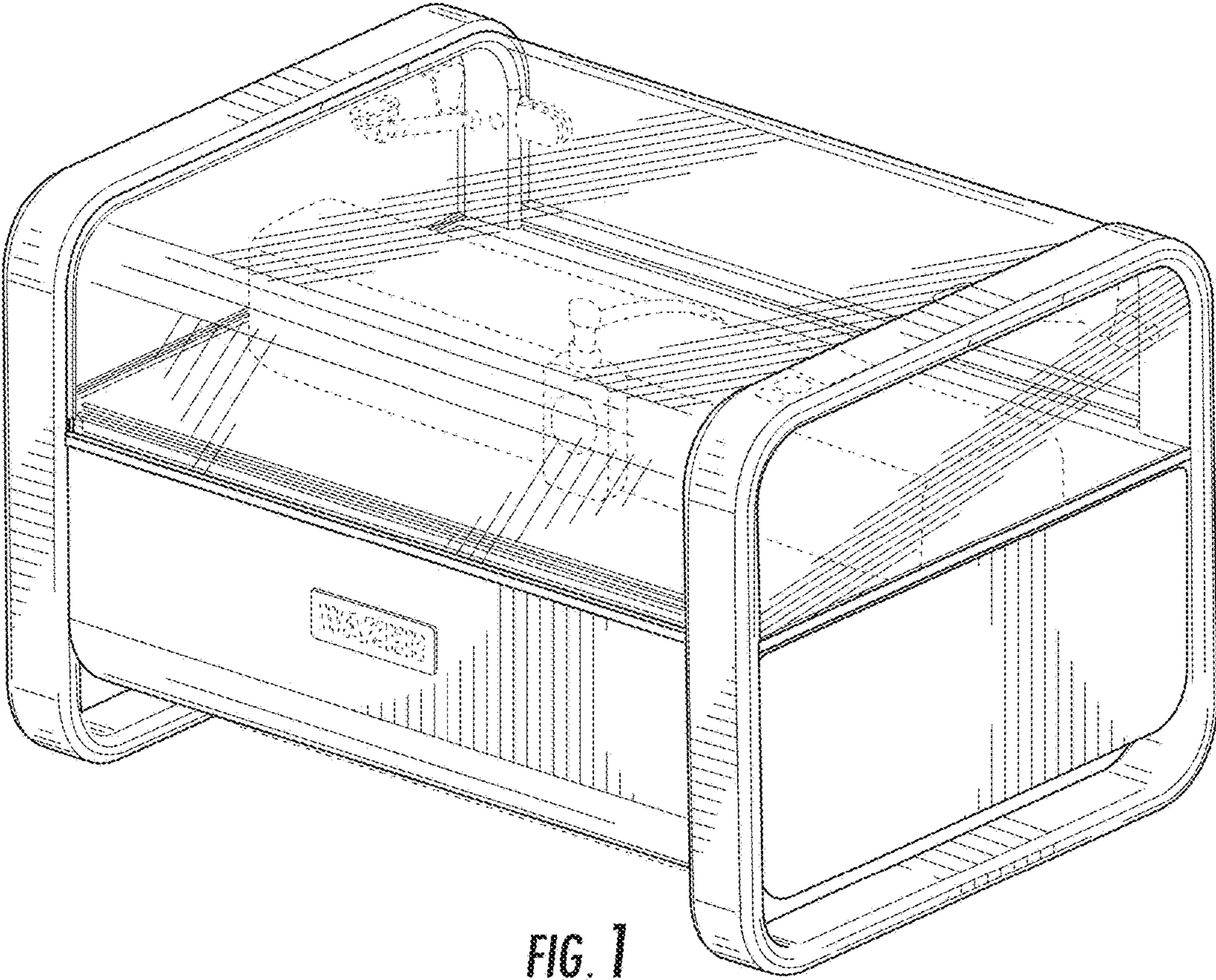
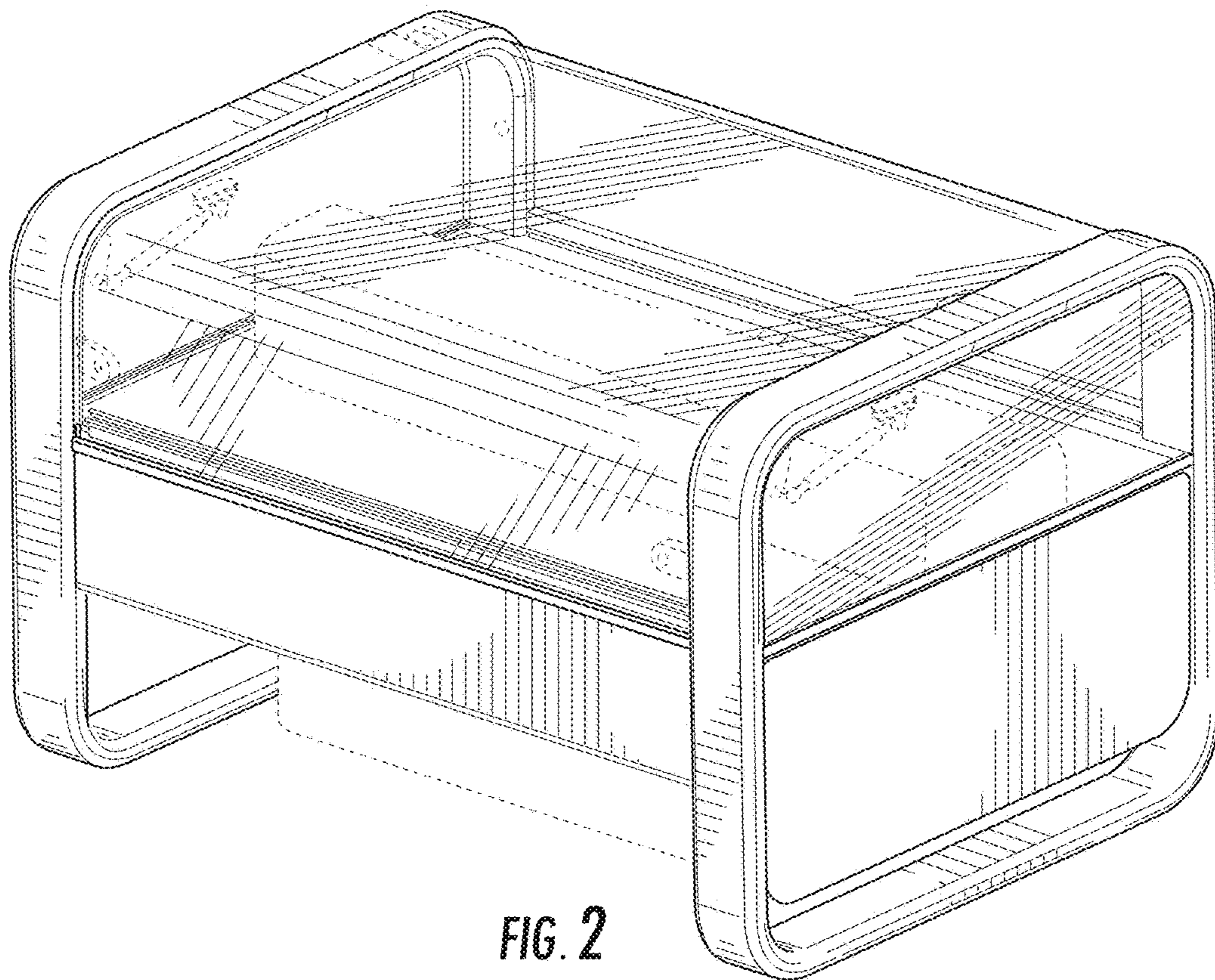


FIG. 1



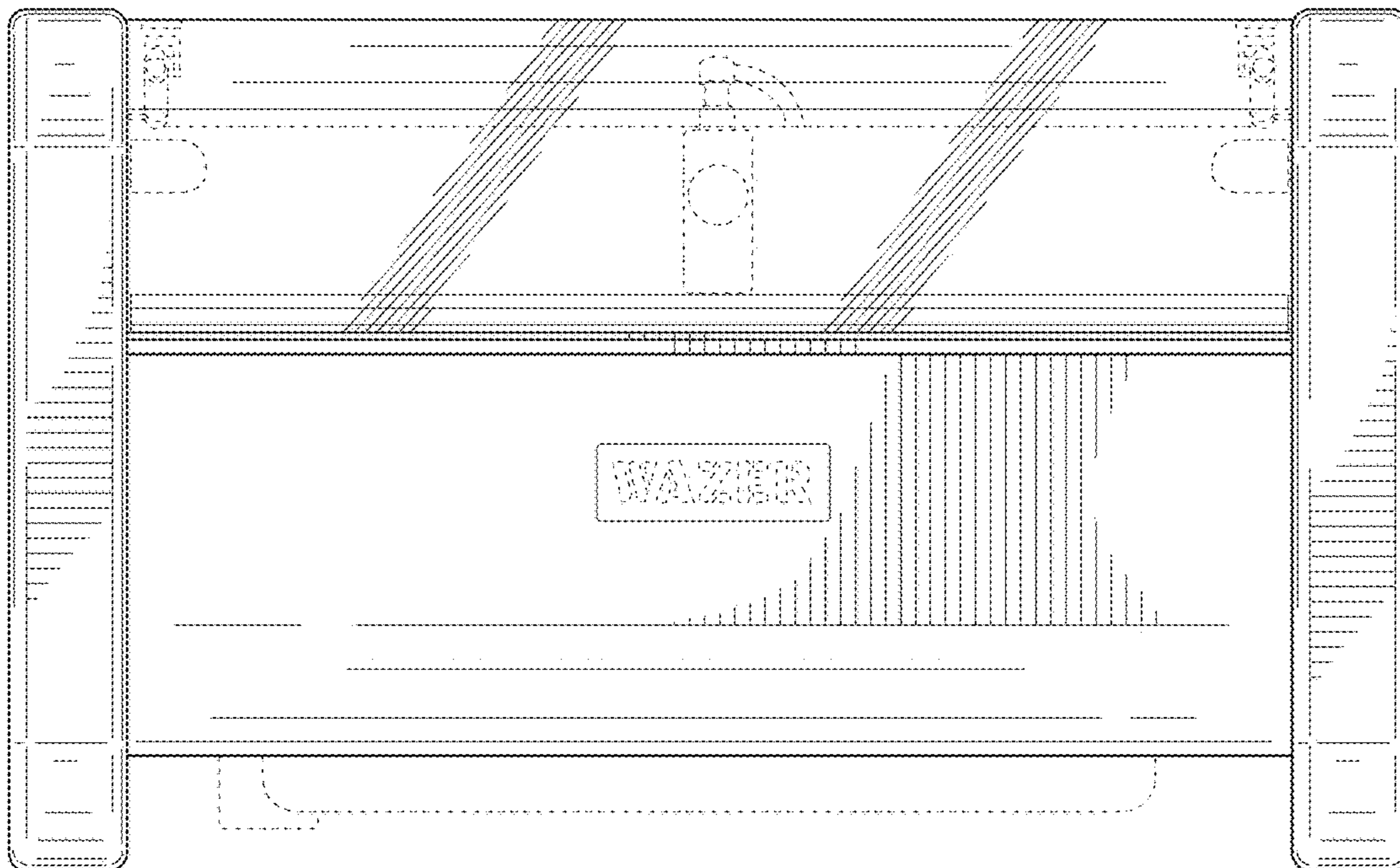


FIG. 3

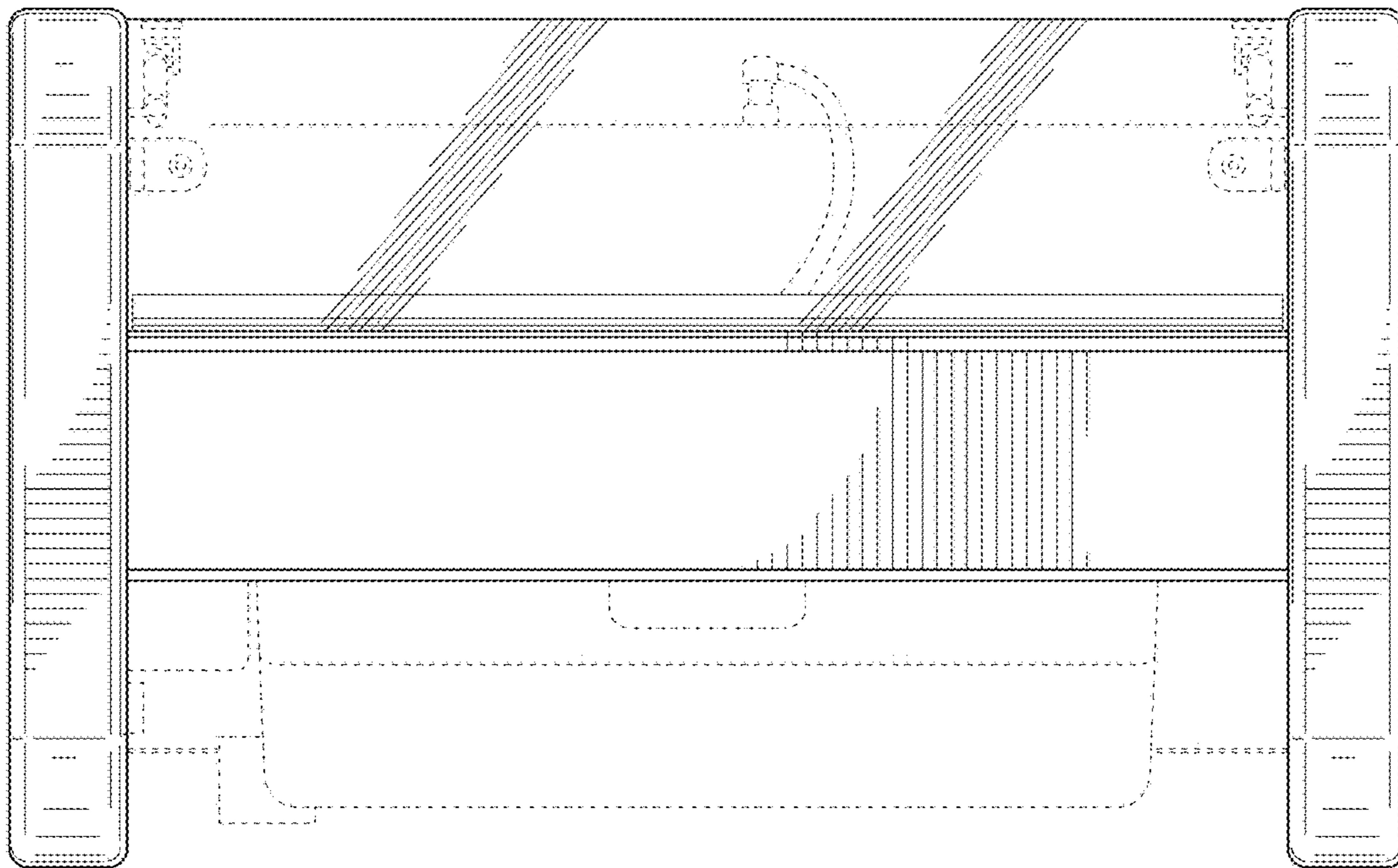


FIG. 4

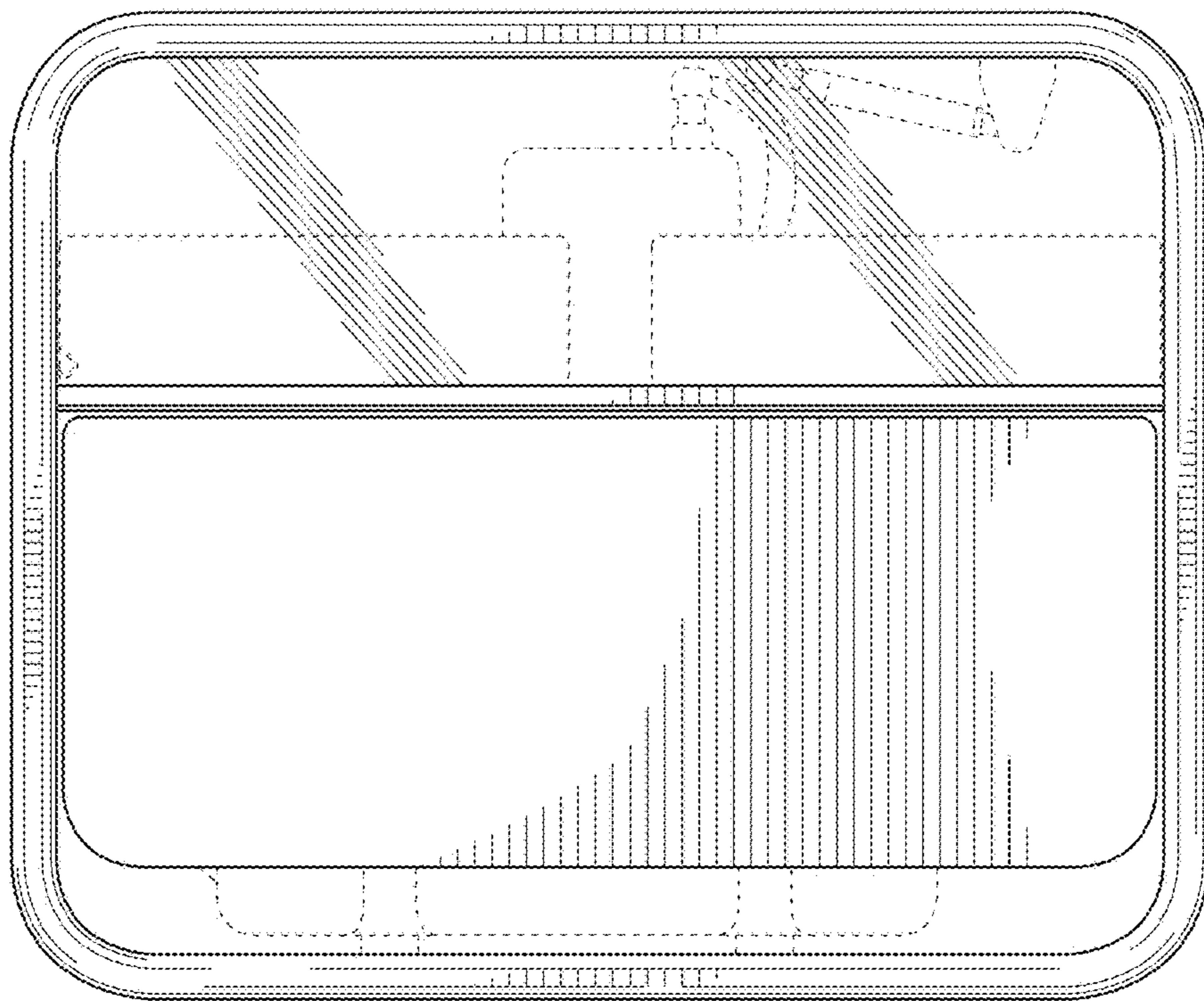


FIG. 5

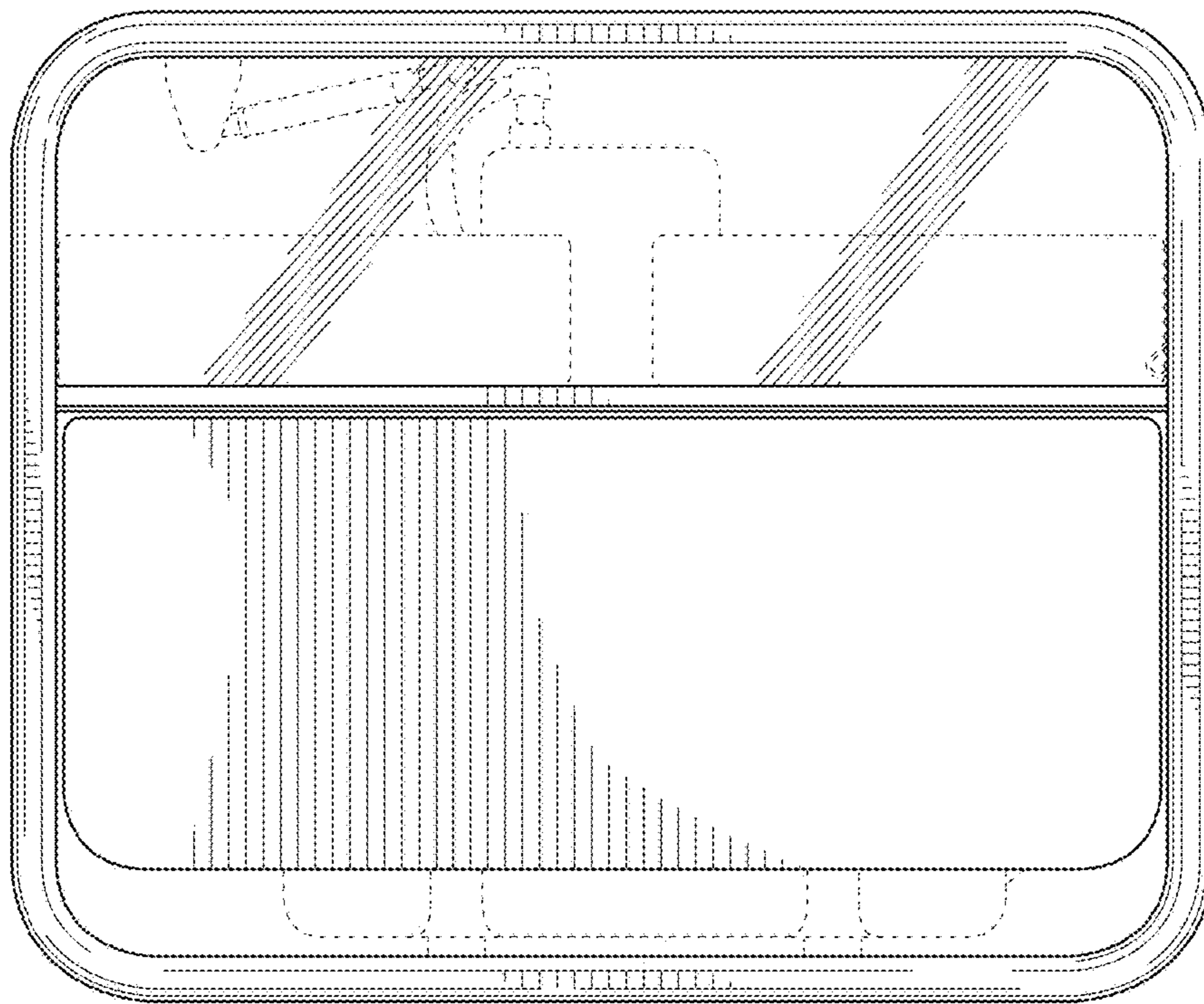


FIG. 6



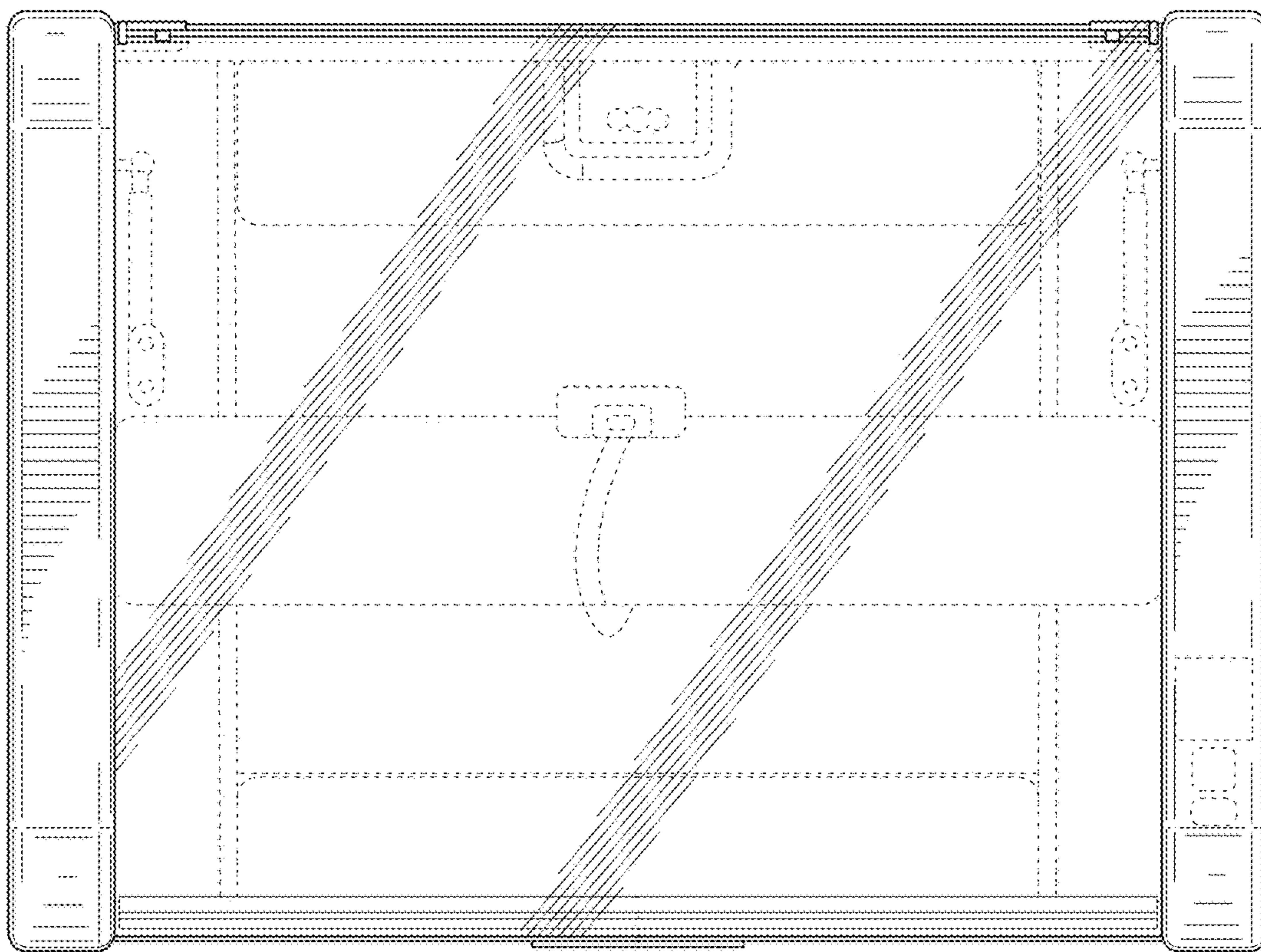


FIG. 7

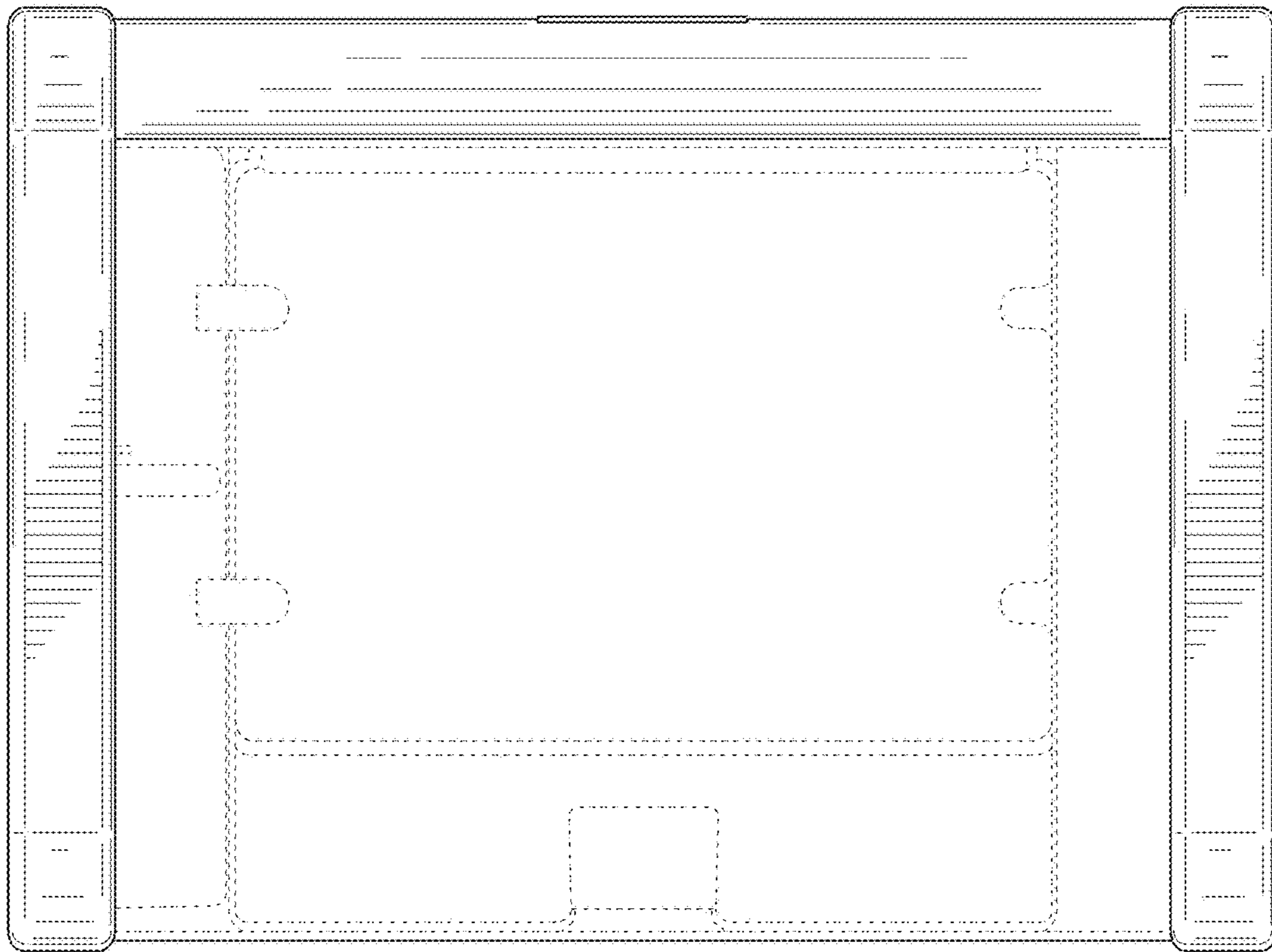


FIG. 8

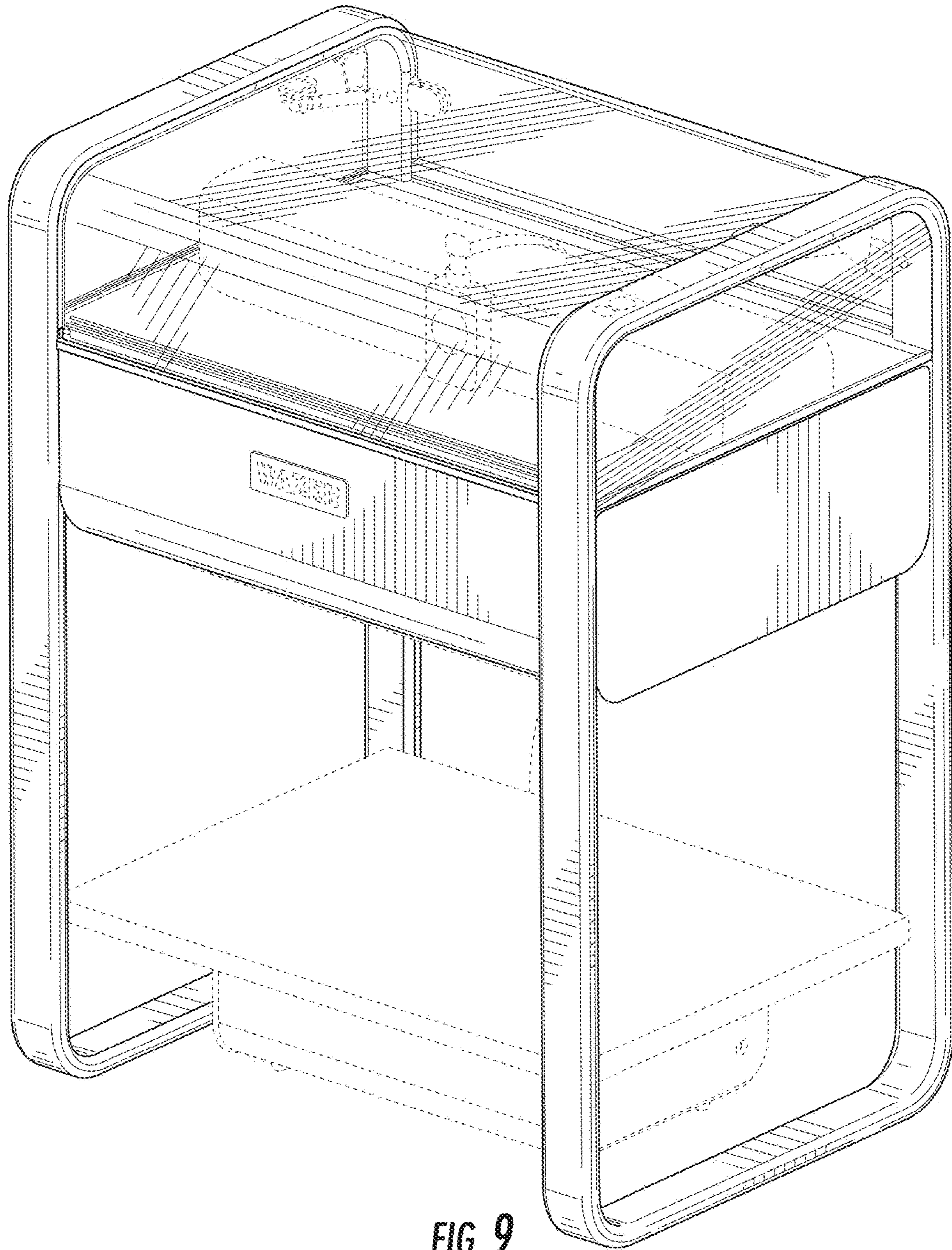


FIG. 9

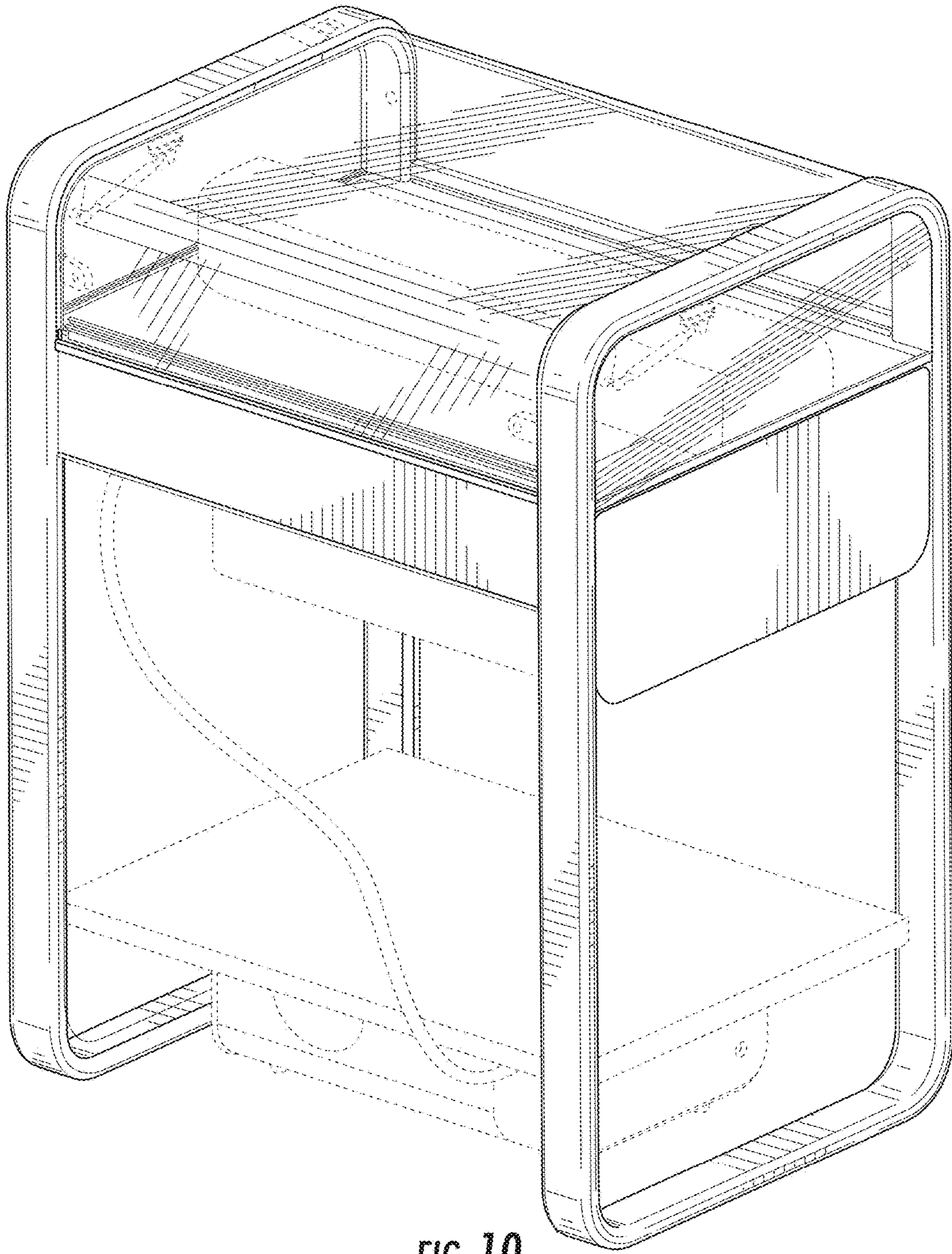


FIG. 10

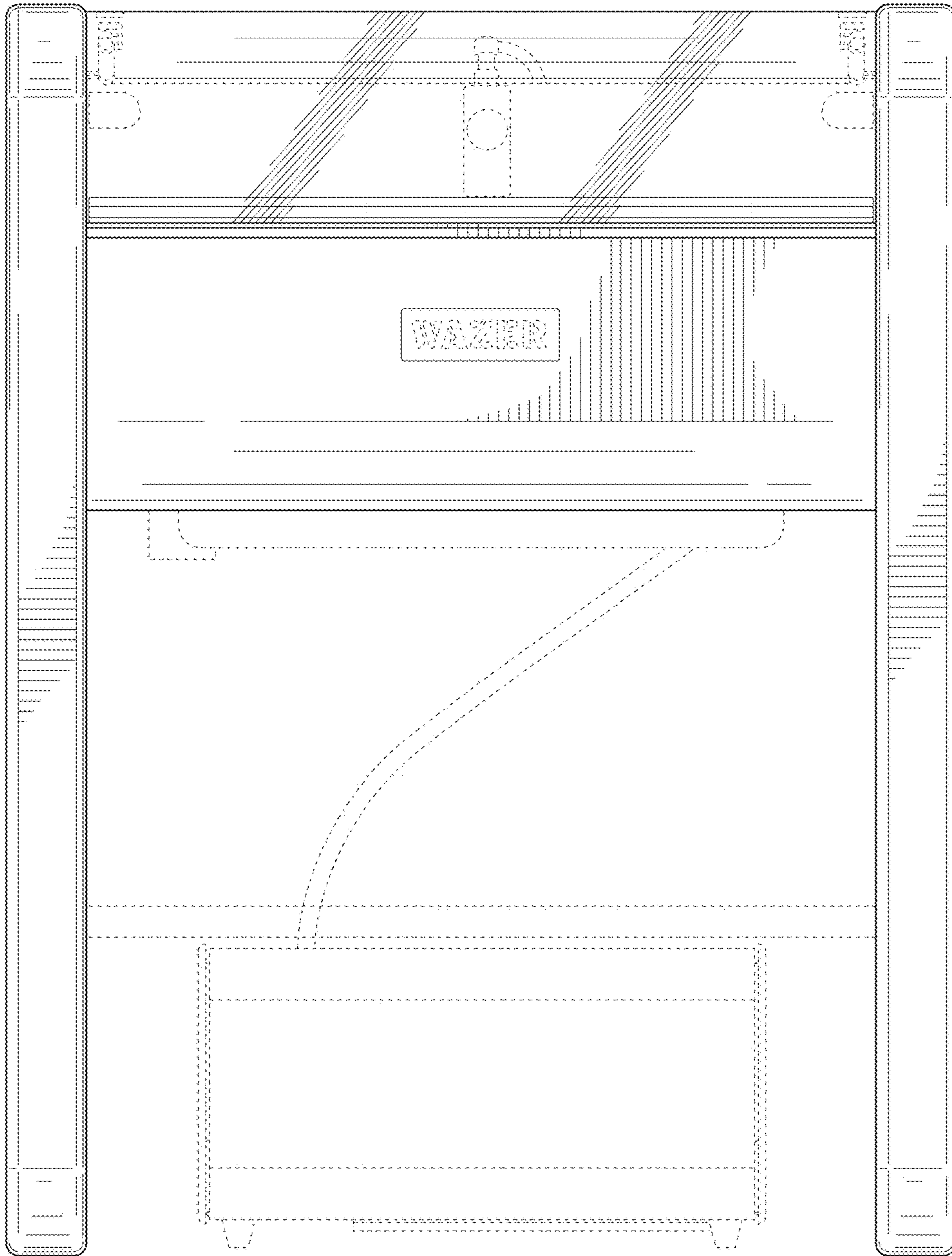


FIG. 11

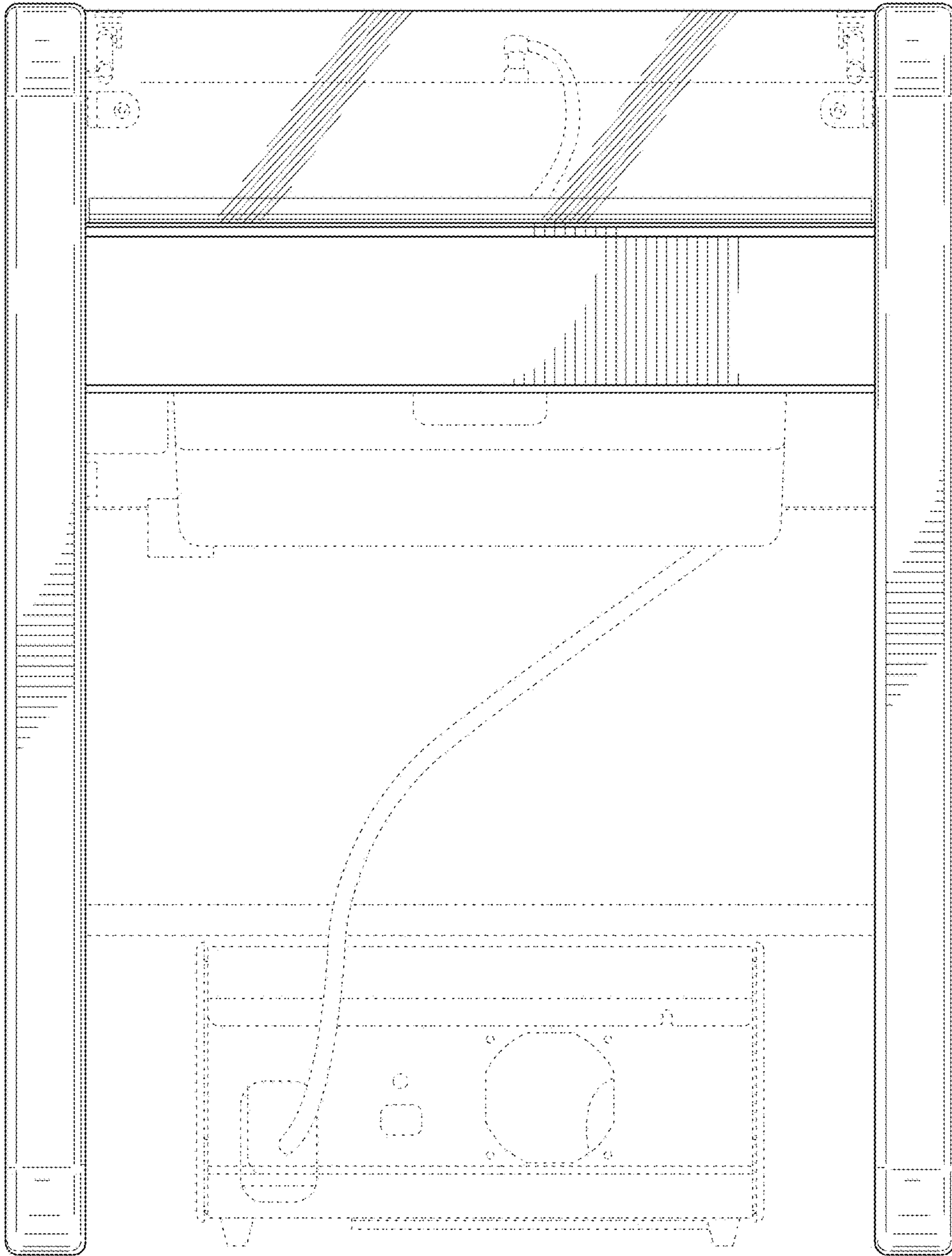


FIG. 12

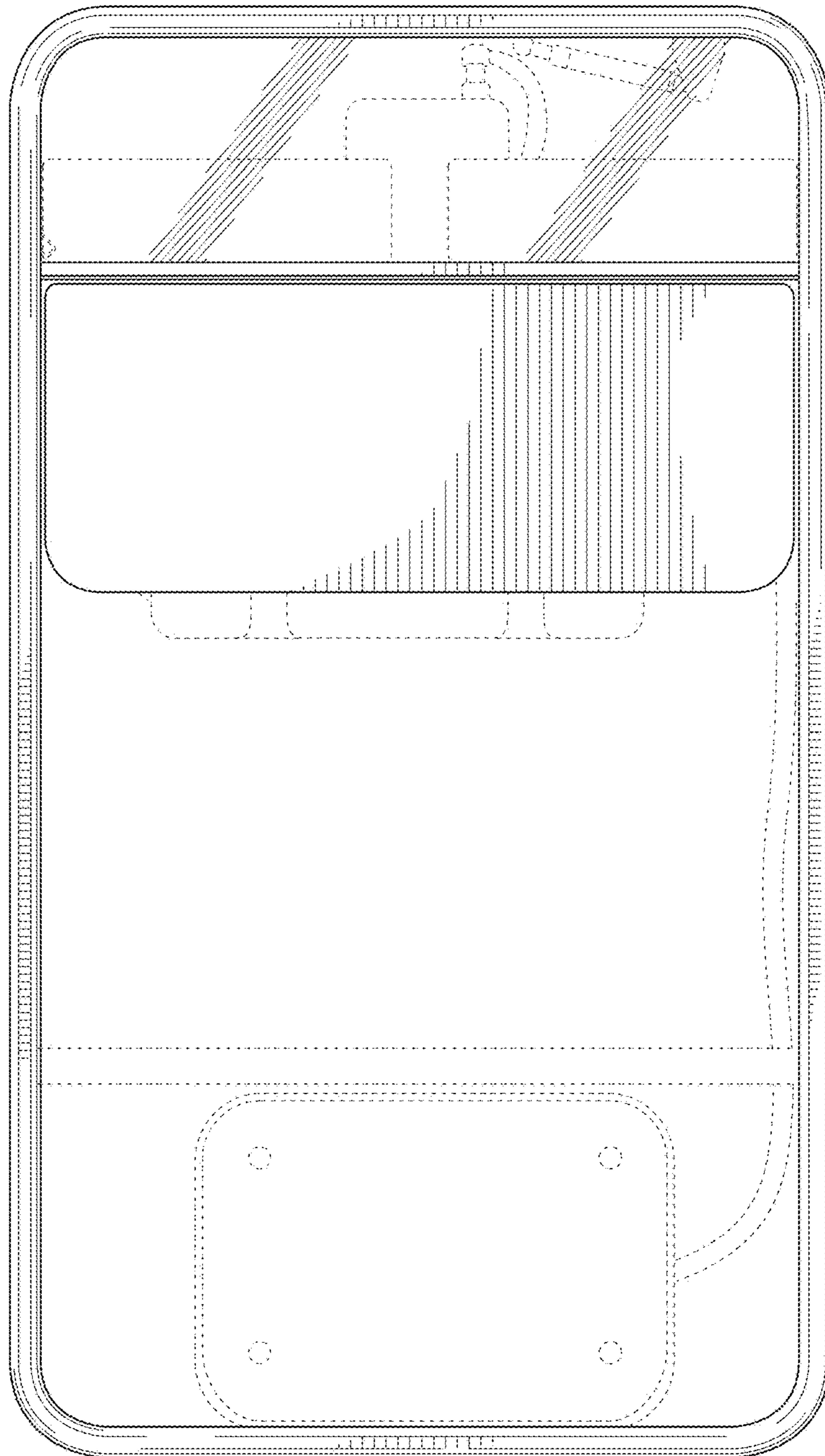


FIG. 13

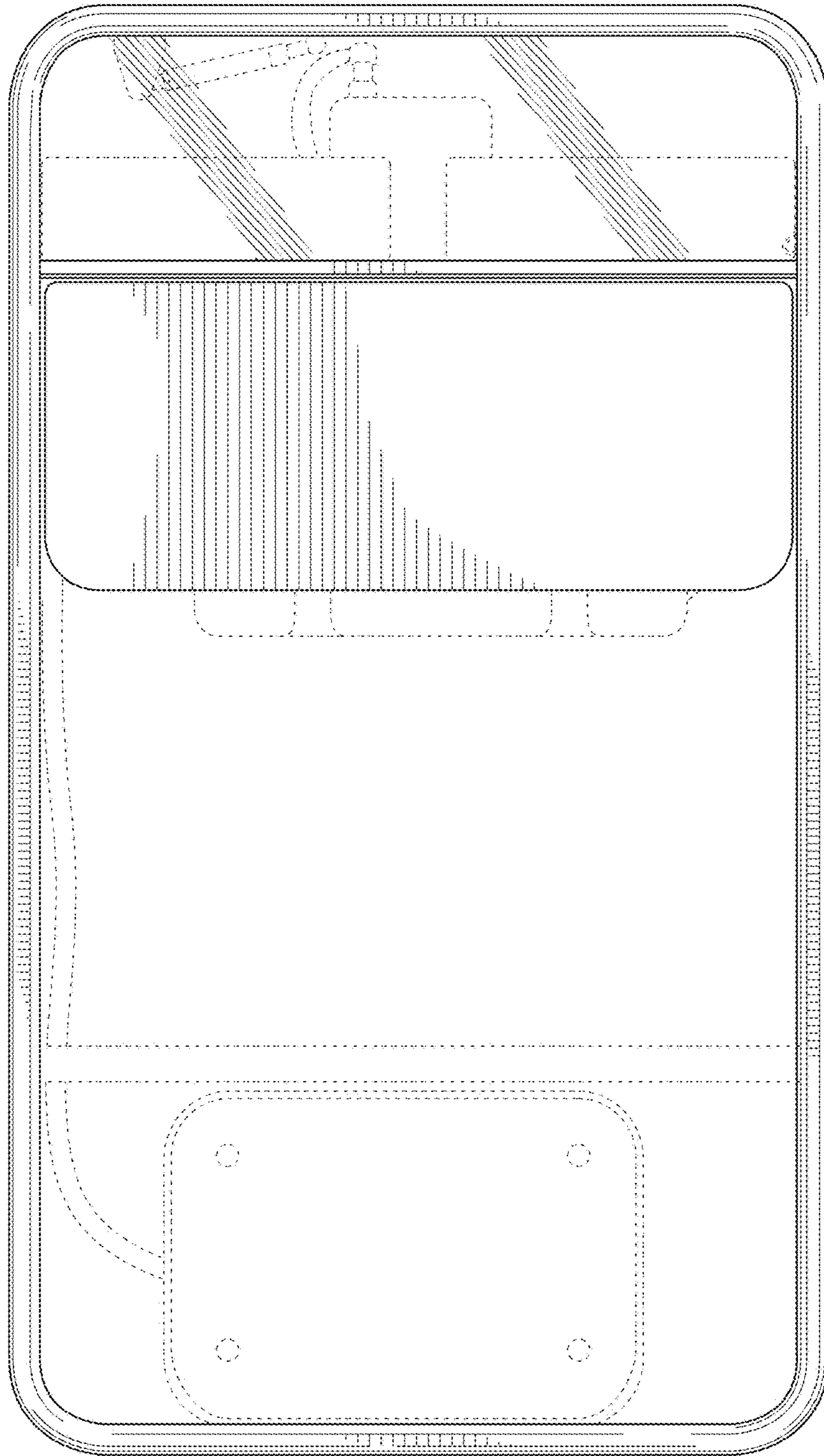


FIG. 14



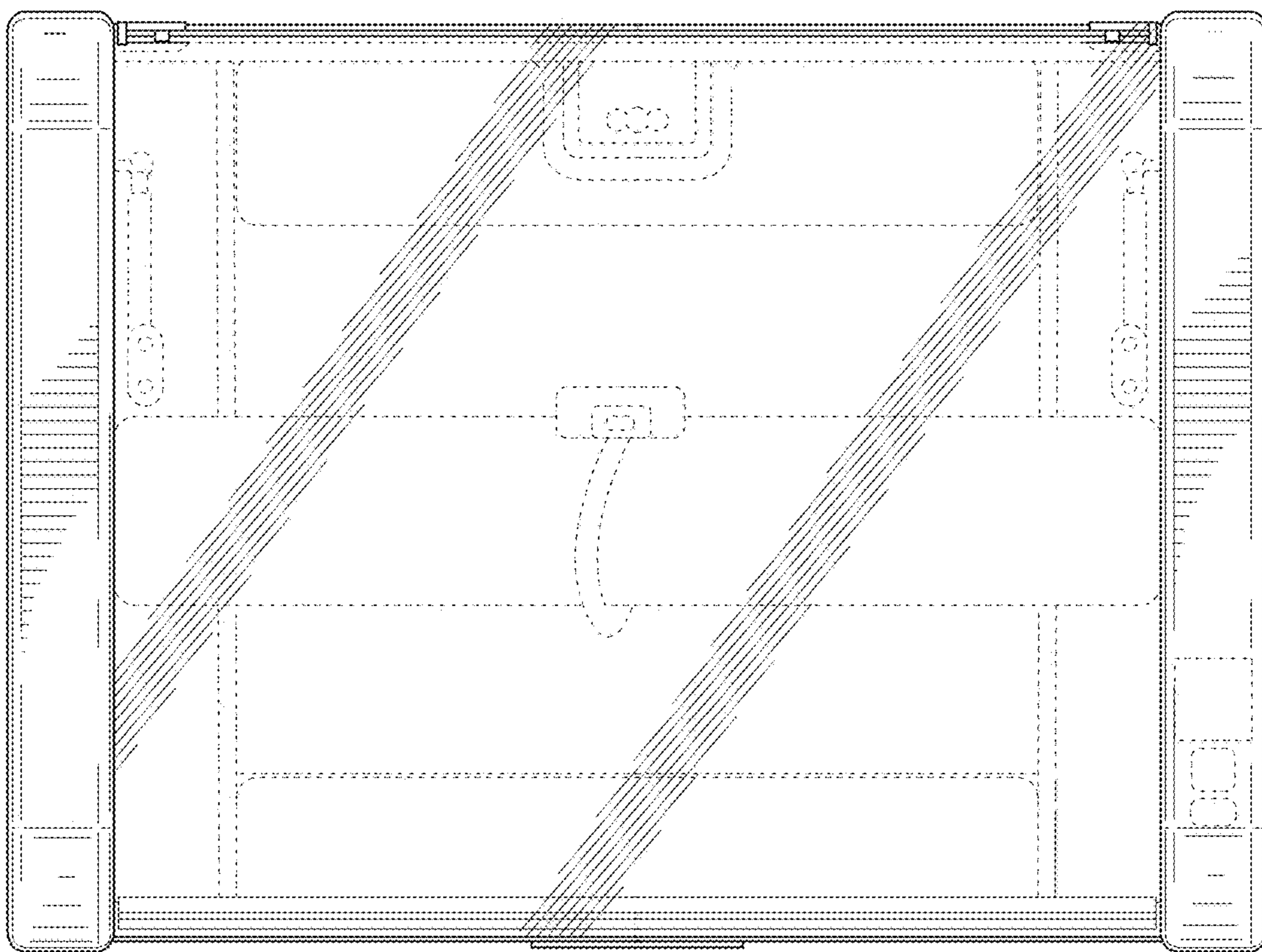


FIG. 15

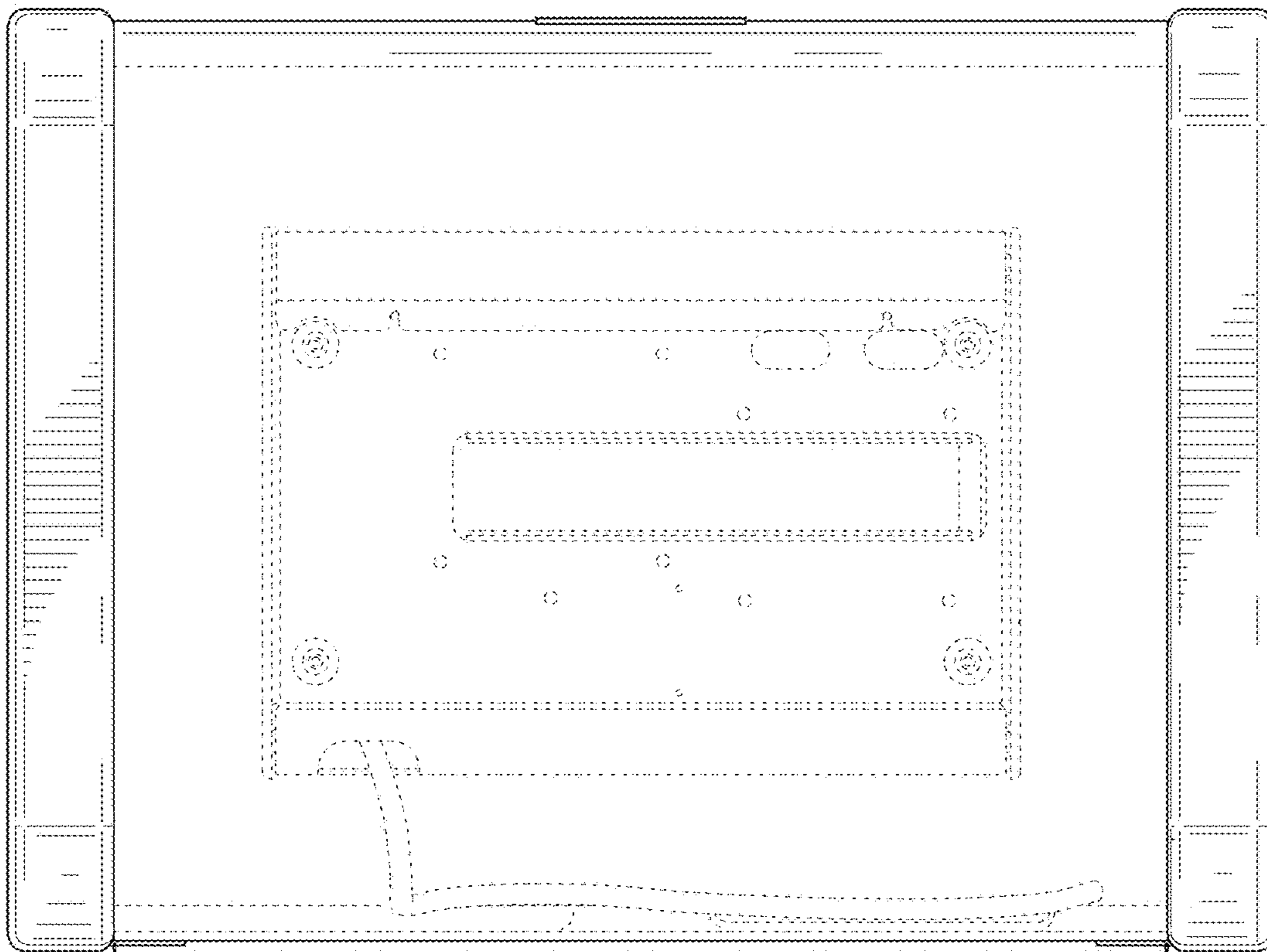


FIG. 16