



US00D854055S

(12) **United States Design Patent**
Hiraoka et al.

(10) **Patent No.:** **US D854,055 S**
(45) **Date of Patent:** **** Jul. 16, 2019**

(54) **ARMREST FOR A WORKING VEHICLE**
(71) Applicant: **KCM Corporation**, Kako-gun, Hyogo (JP)
(72) Inventors: **Kazuhiko Hiraoka**, Tokyo (JP); **Tomoyuki Miyata**, Tokyo (JP); **Wataru Isaka**, Tsuchiura (JP); **Satoshi Kan**, Tsuchiura (JP); **Koji Hyodo**, Tsuchiura (JP); **Masaki Yoshikawa**, Tsuchiura (JP); **Isamu Aoki**, Tsuchiura (JP); **Tetsuji Tanaka**, Tsuchiura (JP); **Yasunori Miyamoto**, Tsuchiura (JP)

8,039,769 B2 * 10/2011 Asp B66F 17/00
180/272
8,714,049 B2 * 5/2014 Ast G05G 1/04
296/1.09
D728,634 S * 5/2015 Alpsten D15/28
D757,634 S * 5/2016 Uusitalo D12/421
D767,643 S * 9/2016 Sohngen D15/28
9,592,758 B2 * 3/2017 Mahler B60N 2/4633
D782,858 S * 4/2017 Okuyama D6/716.2
2003/0042063 A1 * 3/2003 Arthur B60N 2/4693
180/315
2007/0144133 A1 * 6/2007 Drake A01D 34/82
56/323

* cited by examiner

(73) Assignee: **KCM Corporation**, Hyogo (JP)

Primary Examiner — Susan E Krakower

(**) Term: **15 Years**

Assistant Examiner — Jerry Shiuan-Hua Hsu

(21) Appl. No.: **29/565,566**

(74) *Attorney, Agent, or Firm* — Crowell & Moring LLP

(22) Filed: **May 23, 2016**

(30) **Foreign Application Priority Data**

Nov. 30, 2015 (JP) 2015-026734

(51) **LOC (11) Cl.** **15-03**

(52) **U.S. Cl.**
USPC **D15/28**

(58) **Field of Classification Search**
USPC D12/415, 416, 417, 418, 419, 420, 421;
D6/716.2; D15/28
CPC A01D 34/82; B60N 1/4693; B60N 1/4633;
G01G 1/04; B66F 17/00
See application file for complete search history.

(56) **References Cited**

U.S. PATENT DOCUMENTS

D356,530 S * 3/1995 Bee D12/128
D377,476 S * 1/1997 Ljunggren D12/421
D516,097 S * 2/2006 Bergman D15/28
7,748,785 B2 * 7/2010 Lucas B60N 2/4693
297/411.35

(57) **CLAIM**

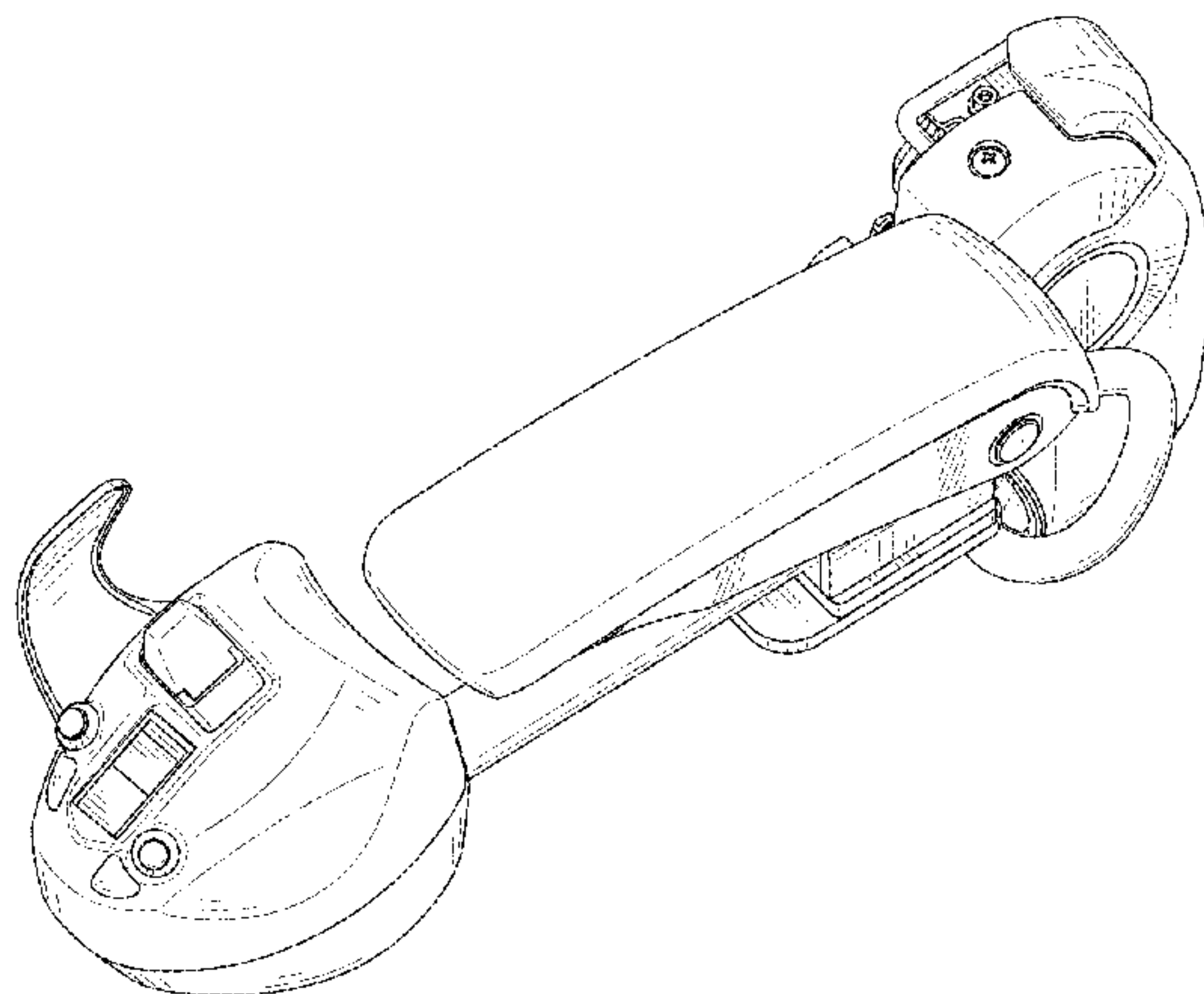
The ornamental design for an armrest for a working vehicle, as shown and described.

DESCRIPTION

FIG. 1 is a front perspective view of an armrest for a working vehicle according to the design; FIG. 2 is a rear perspective view thereof; FIG. 3 is a front elevational view thereof; FIG. 4 is a rear elevational view thereof; FIG. 5 is a left side elevational view thereof; FIG. 6 is a right side elevational view; FIG. 7 is top plan view thereof; FIG. 8 is a bottom plan view thereof; and, FIG. 9 is a reference view showing a possible use of the design.

The dashed broken lines illustrate environmental matter that forms no part of the claimed design. The dot-dash broken lines illustrate unclaimed boundaries that form no part of the claimed design.

1 Claim, 7 Drawing Sheets



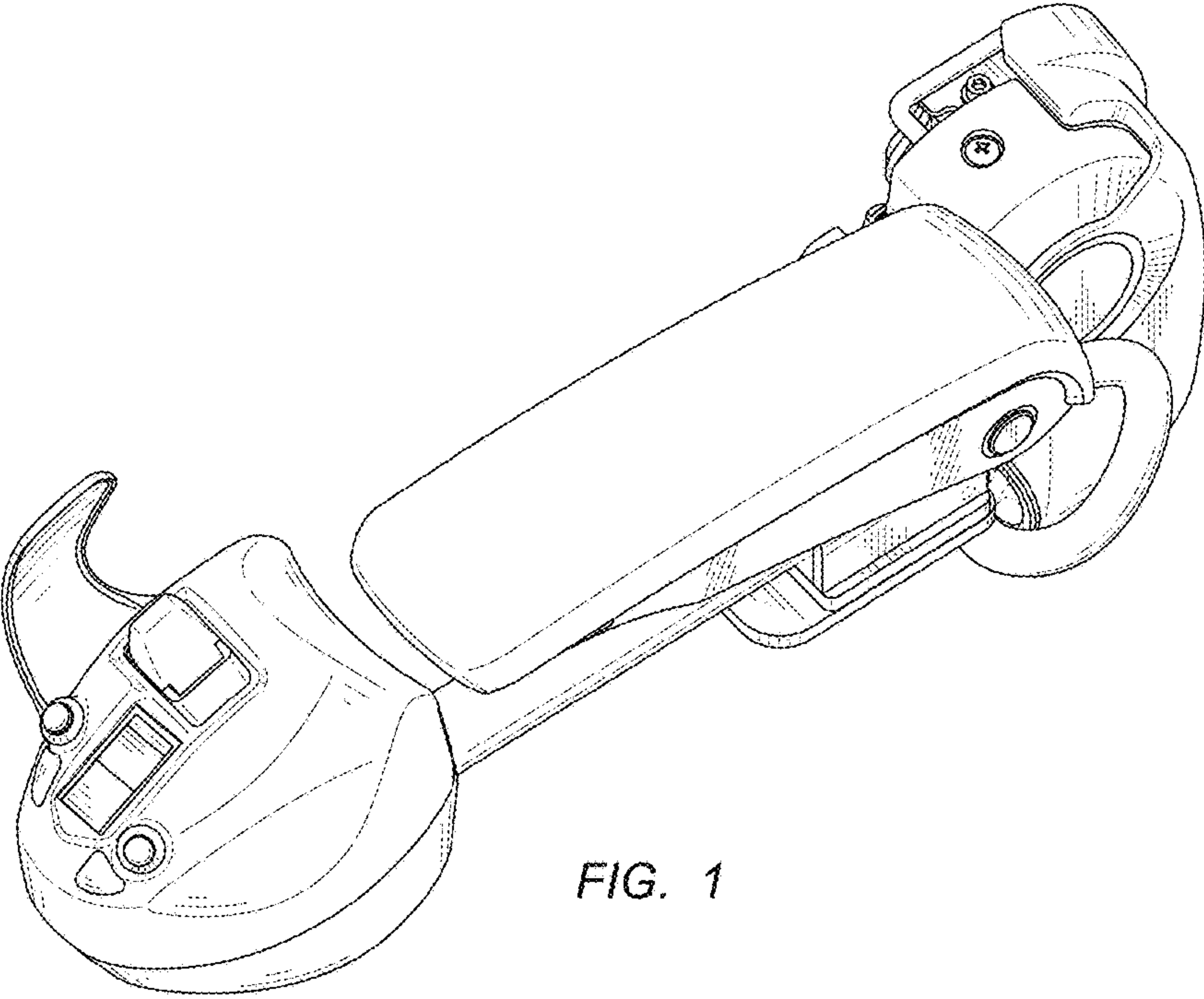


FIG. 1

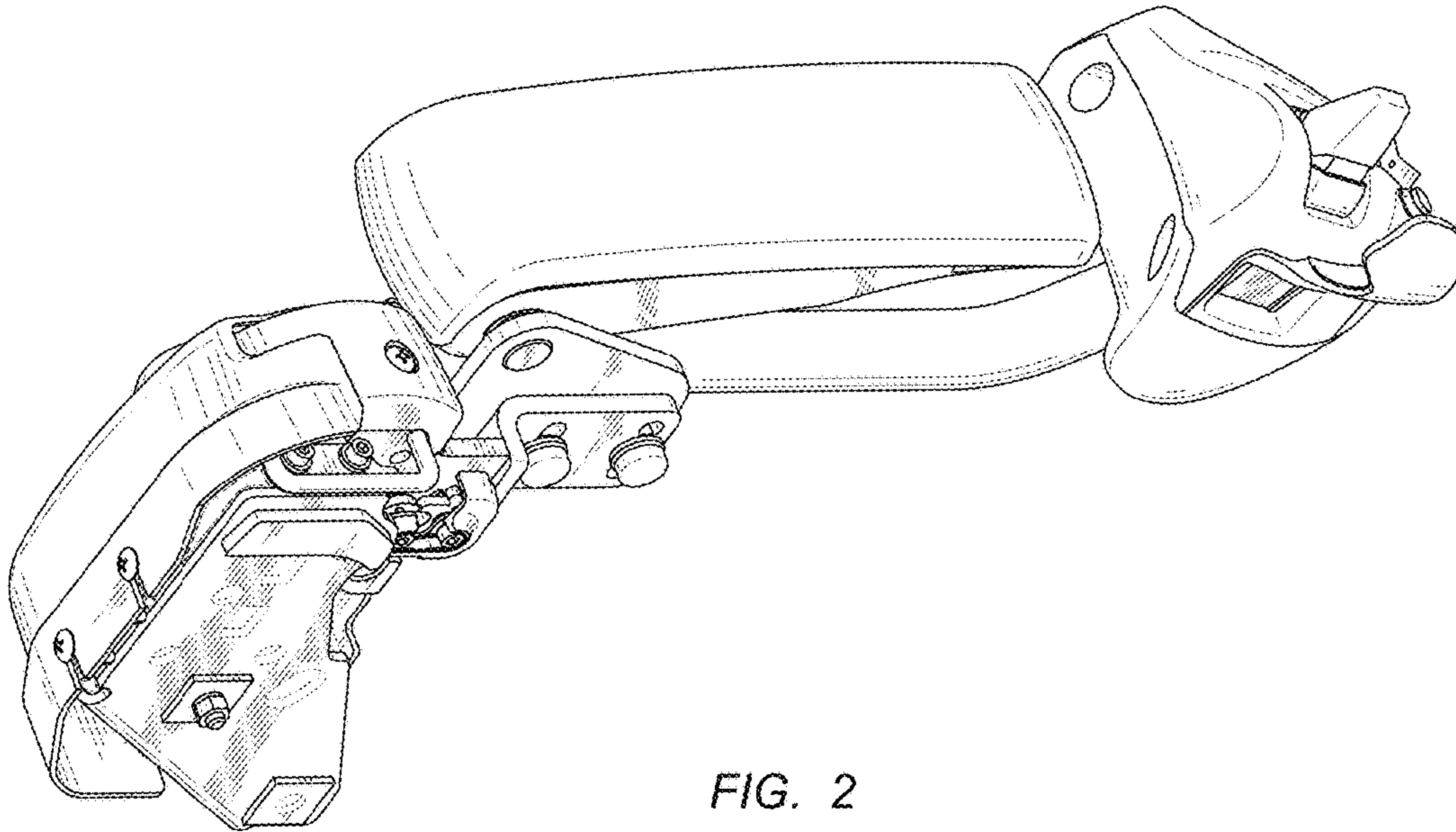


FIG. 2

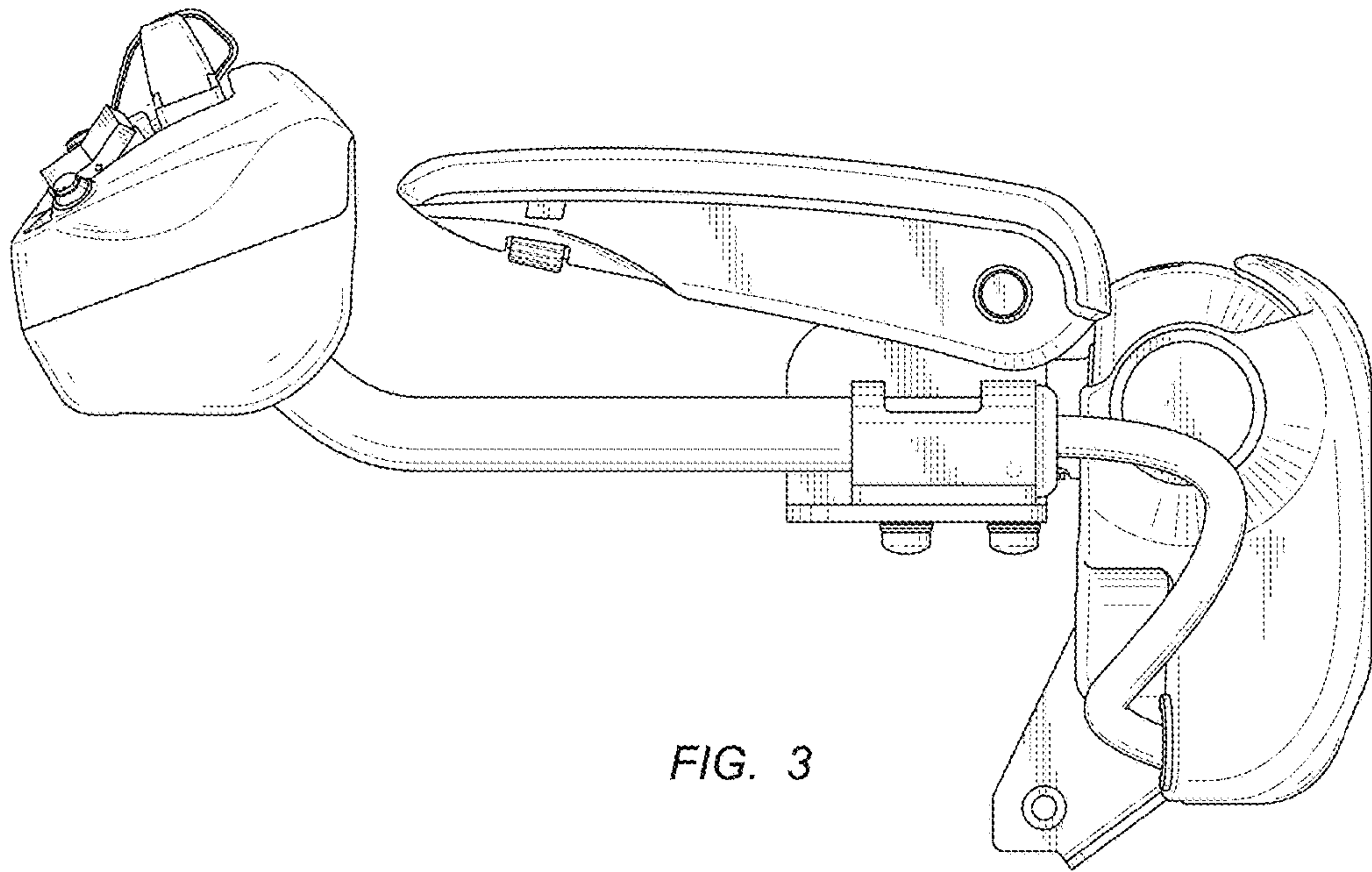


FIG. 3

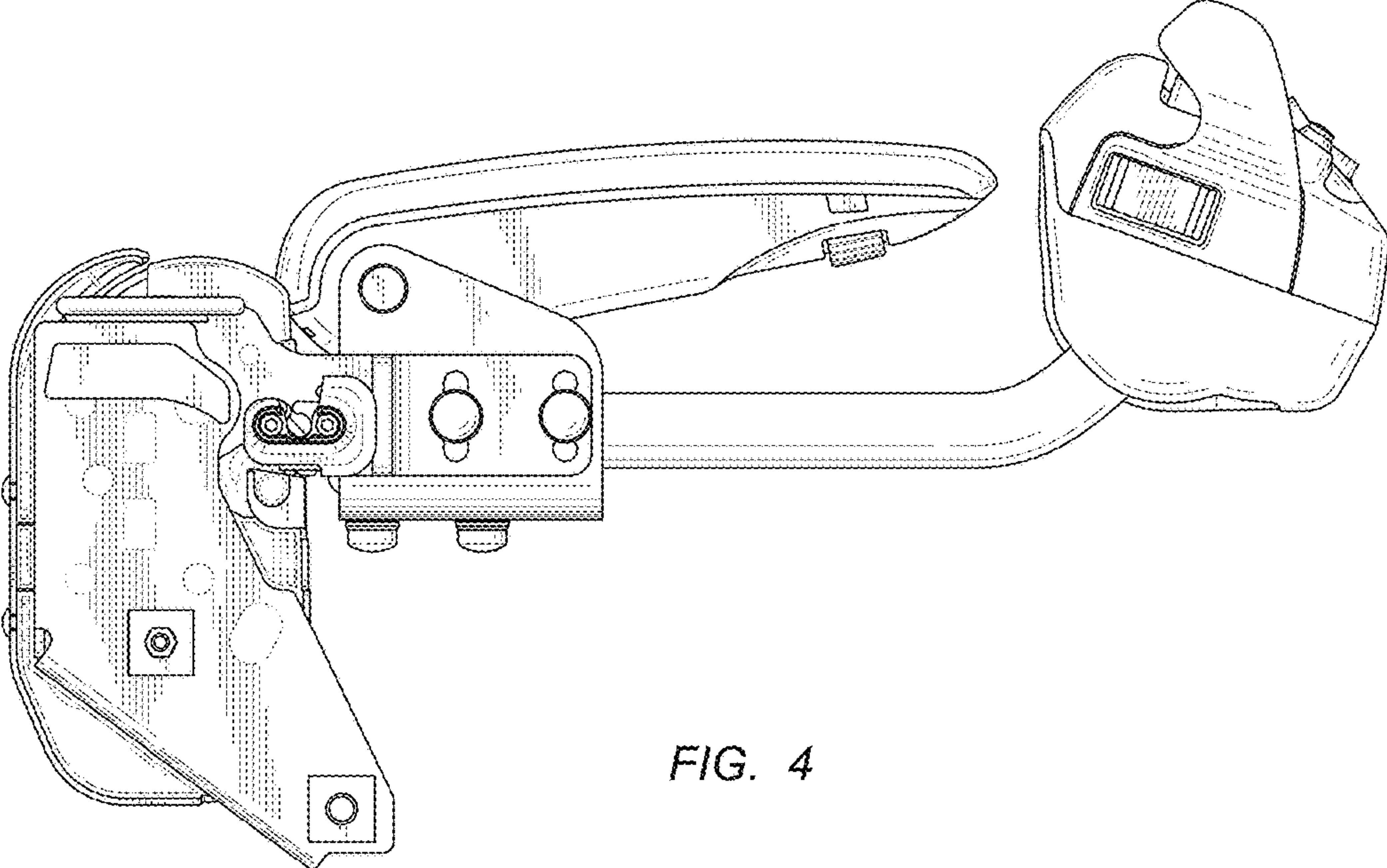
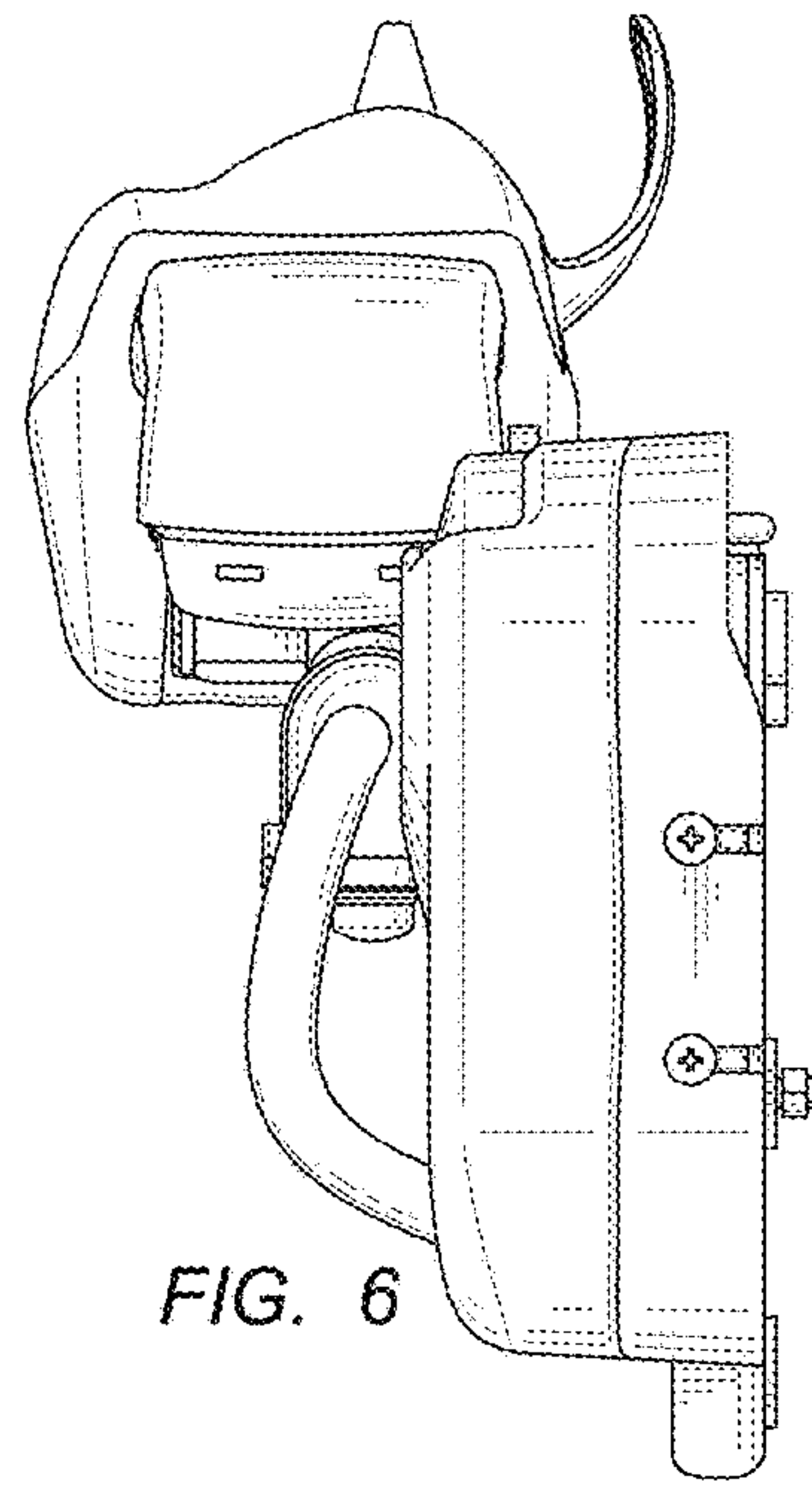
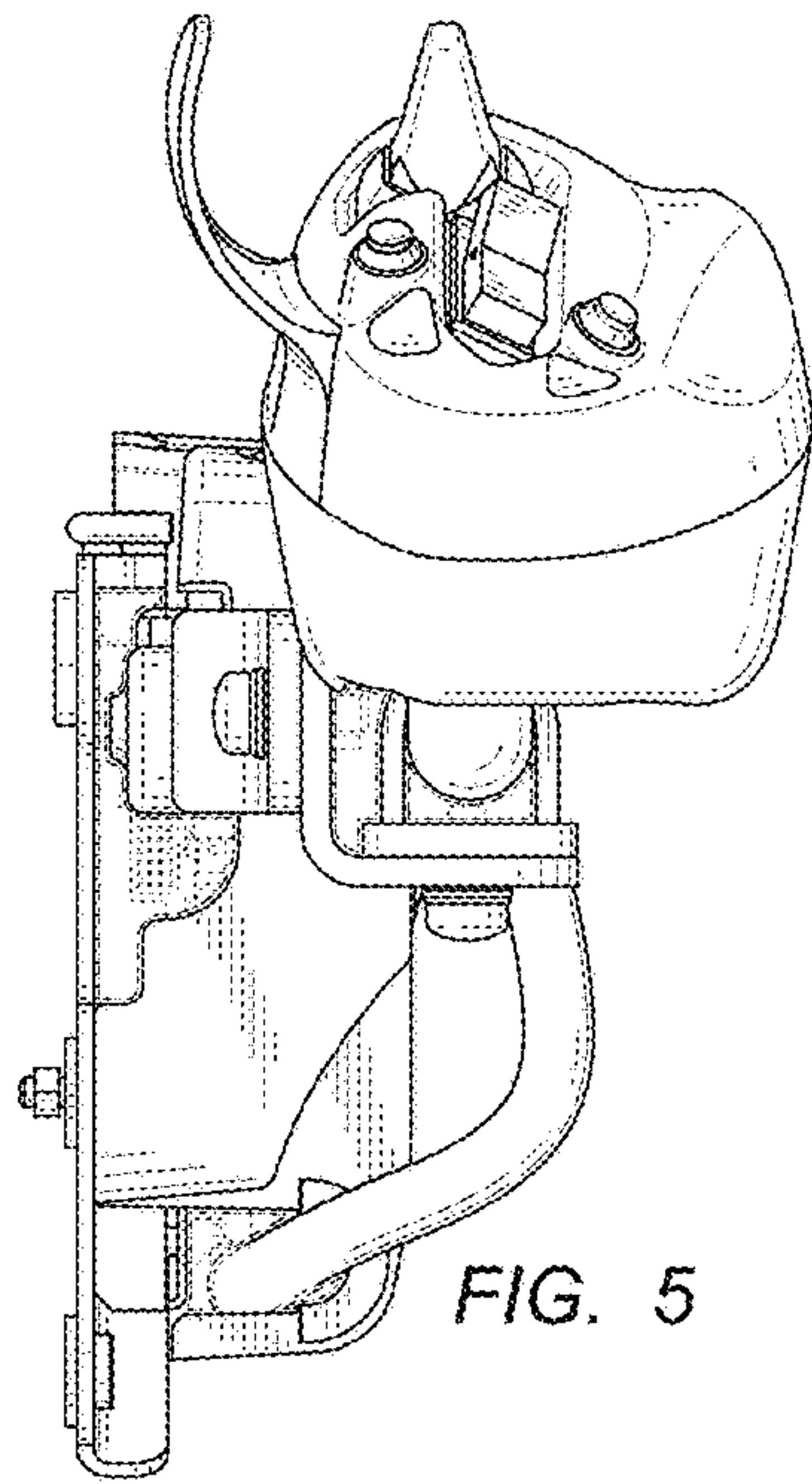


FIG. 4



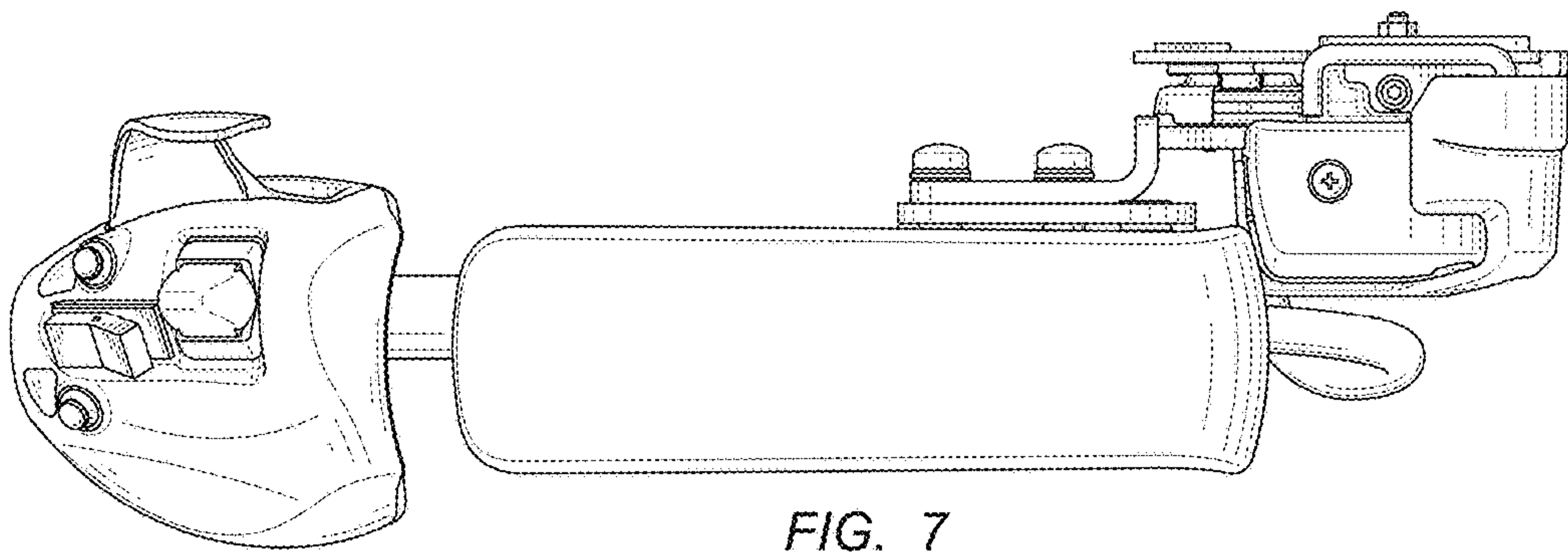


FIG. 7

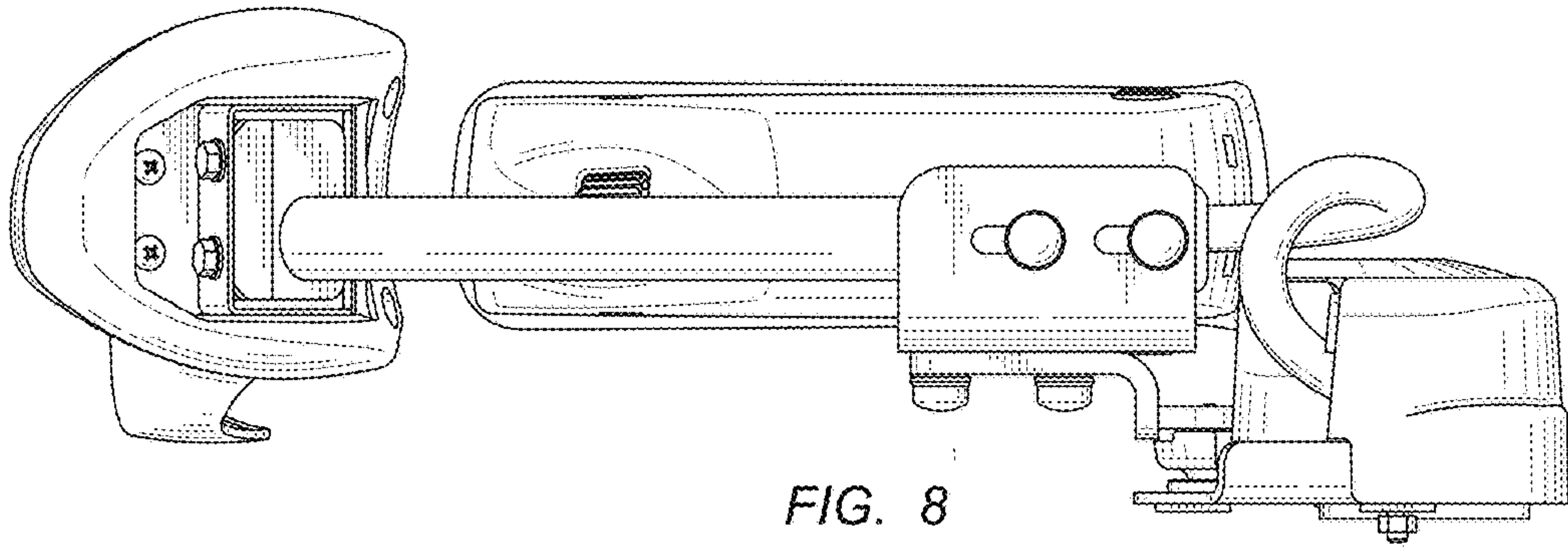


FIG. 8

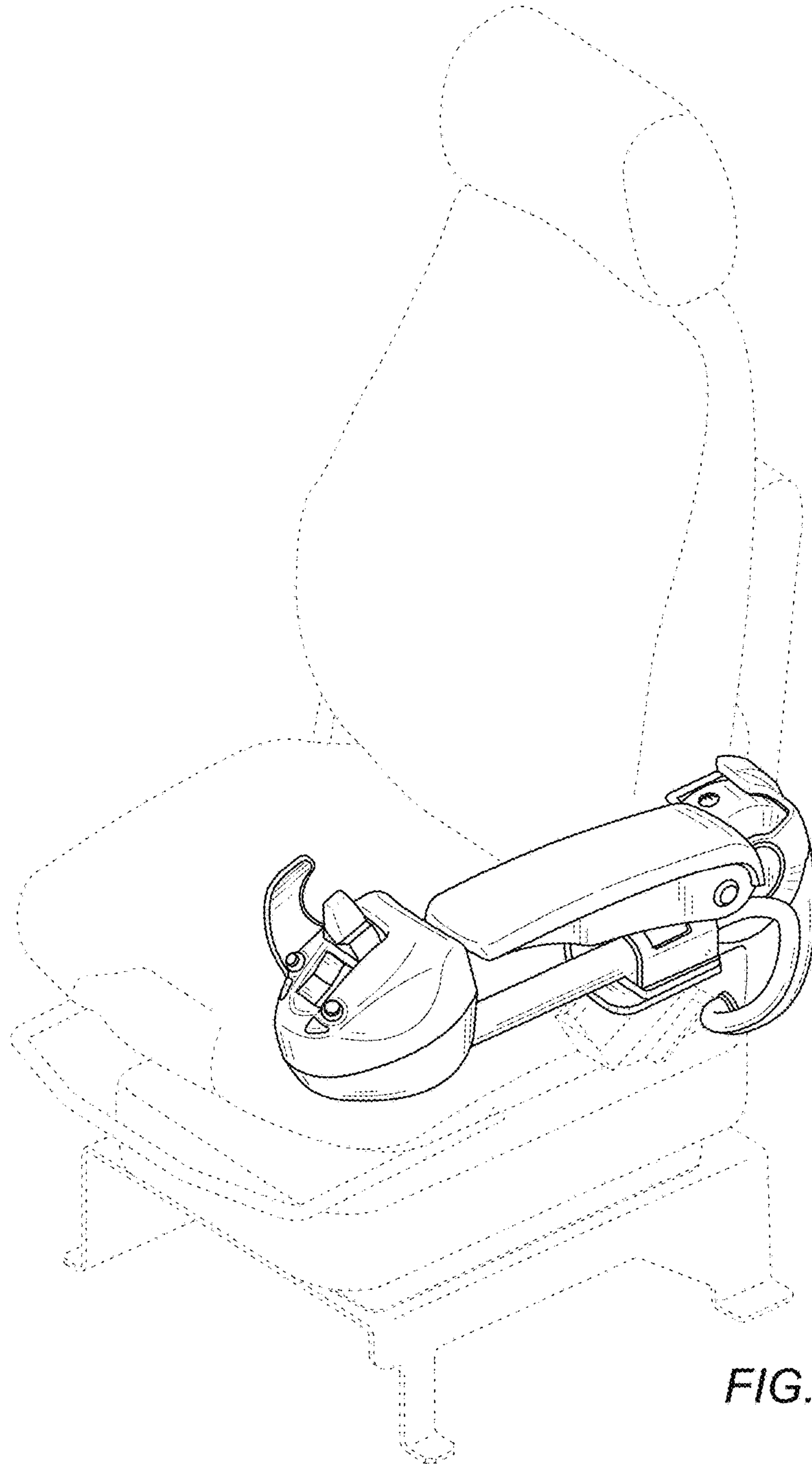


FIG. 9