



US00D854054S

(12) **United States Design Patent**  
**Hirasawa et al.**

(10) **Patent No.:** **US D854,054 S**  
(45) **Date of Patent:** **\*\* Jul. 16, 2019**

- (54) **HYDRAULIC EXCAVATOR**
- (71) Applicant: **Hitachi Construction Machinery Co., Ltd.**, Taito-ku, Tokyo (JP)
- (72) Inventors: **Shigeru Hirasawa**, Tsuchiura (JP);  
**Kazuhiko Mizoguchi**, Tsuchiura (JP);  
**Shosei Kurosaka**, Tsuchiura (JP);  
**Takumi Tanba**, Tsuchiura (JP)
- (73) Assignee: **Hitachi Construction Machinery Co., Ltd.**, Tokyo (JP)

- D534,552 S \* 1/2007 Yanagida ..... D15/25
- D658,211 S \* 4/2012 Hiraoka ..... D15/25
- D663,324 S \* 7/2012 Fuchita ..... D15/25
- D663,751 S \* 7/2012 Yogita ..... D15/25
- 8,365,855 B2 \* 2/2013 Mamada ..... B60K 11/04  
180/312
- D677,703 S \* 3/2013 Hiraoka ..... D15/25
- D678,354 S \* 3/2013 Hiraoka ..... D15/25
- D682,322 S \* 5/2013 Suzuki ..... D15/25
- D684,598 S \* 6/2013 Hagura ..... D15/24
- D695,791 S \* 12/2013 Hagura ..... D15/25

(Continued)

(\*\*) Term: **15 Years**

JP D1452045 S 10/2012

(21) Appl. No.: **29/638,523**

**OTHER PUBLICATIONS**

(22) Filed: **Feb. 27, 2018**

U.S. Appl. No. 29/638,512, filed Feb. 27, 2018.

(30) **Foreign Application Priority Data**

Aug. 31, 2017 (JP) ..... 2017-018829

(51) **LOC (11) Cl.** ..... **12-09**

(52) **U.S. Cl.**  
USPC ..... **D15/22; D15/25**

(58) **Field of Classification Search**  
USPC ..... D15/10, 22-26, 28, 30; 180/89.1, 89.12,  
180/89.13, 900, 9.1, 9.2, 9.62; 37/379;  
414/694, 699, 722-724, 660, 685, 698,  
414/719, 743  
CPC ..... E02F 3/32; E02F 3/76; E02F 3/40; E02F  
9/163  
See application file for complete search history.

*Primary Examiner* — Mark A Goodwin

(74) *Attorney, Agent, or Firm* — Crowell & Moring LLP

(57) **CLAIM**

The ornamental design for a hydraulic excavator, as shown and described.

**DESCRIPTION**

This application contains subject matter related to the following co-pending U.S. design patent application:

Application Ser. No. 29/638,512, filed herewith and entitled "Counterweight for a Construction Machine".

FIG. 1 is a front, top and right side perspective view of a hydraulic excavator showing our new design;

FIG. 2 is a rear, top and left side perspective view thereof;

FIG. 3 is a front elevational view thereof;

FIG. 4 is a right side elevational view thereof;

FIG. 5 is a left side elevational view thereof;

FIG. 6 is a top plan view thereof; and,

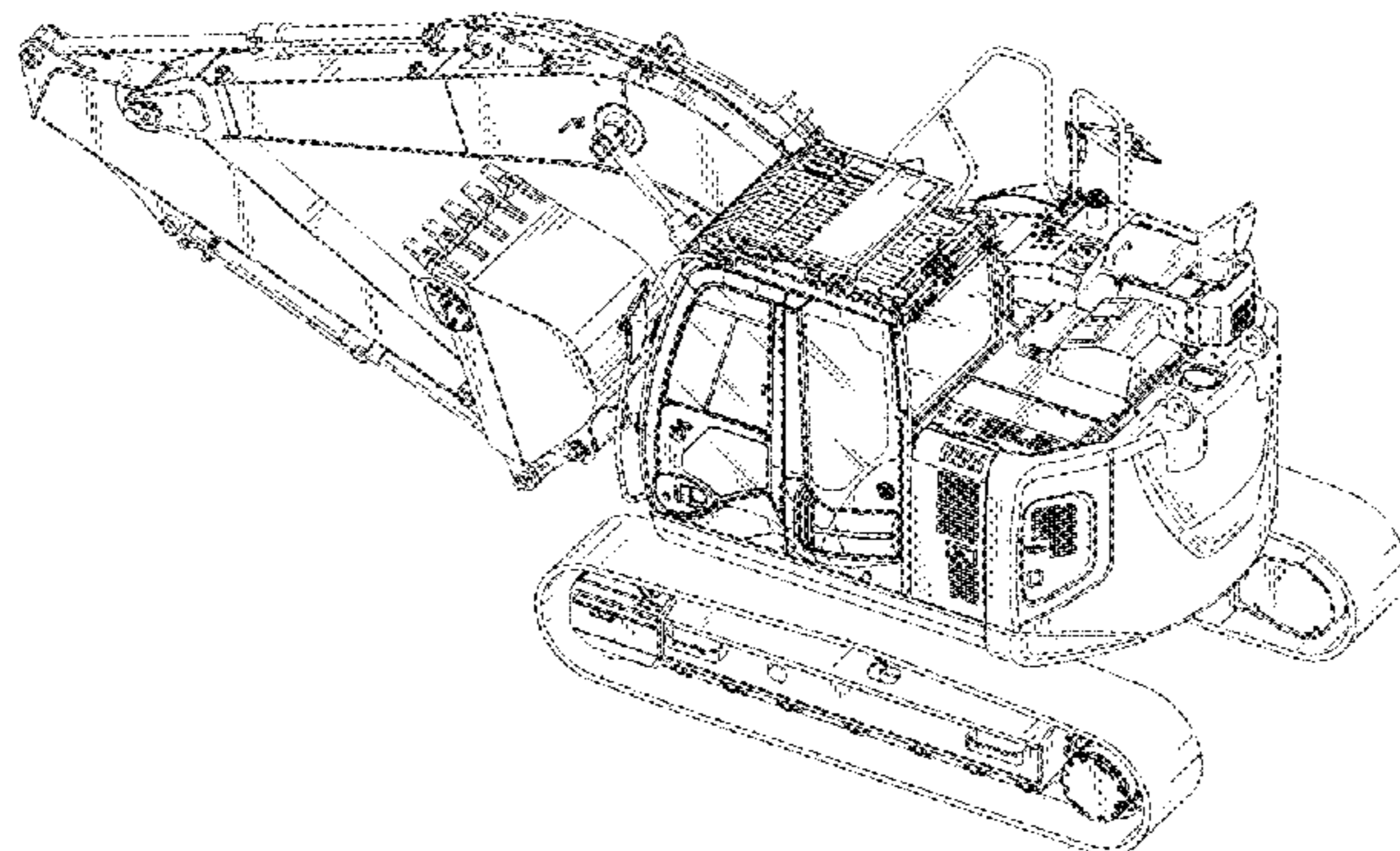
FIG. 7 is a rear elevational view thereof.

**1 Claim, 6 Drawing Sheets**

(56) **References Cited**

**U.S. PATENT DOCUMENTS**

- D391,272 S \* 2/1998 Jin ..... D15/24
- D437,602 S \* 2/2001 Hiraoka ..... D15/25
- D460,975 S \* 7/2002 Yanagida ..... D15/25
- D462,974 S \* 9/2002 Yanagida ..... D15/25
- D523,875 S \* 6/2006 Kim ..... D15/30



(56)

**References Cited**

U.S. PATENT DOCUMENTS

8,820,457 B2 \* 9/2014 Nishimura ..... E02F 9/0858  
180/89.13  
D759,127 S \* 6/2016 Higuchi ..... D15/24  
D774,105 S \* 12/2016 Jilbert ..... D15/28  
D798,340 S \* 9/2017 Hagura ..... D15/22  
10,167,610 B2 \* 1/2019 Kurosaka ..... E02F 9/00

\* cited by examiner

FIG. 1

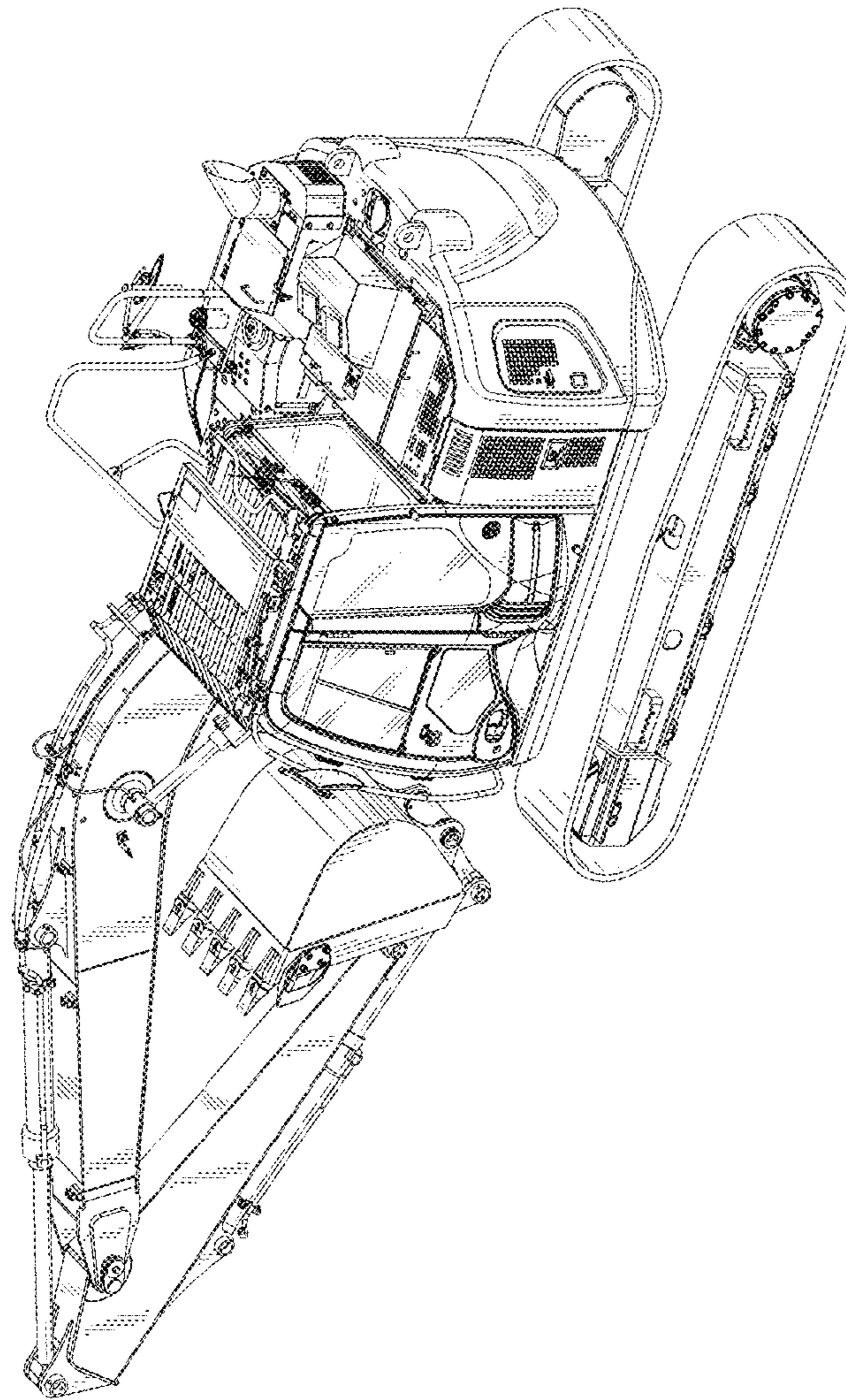


FIG. 2

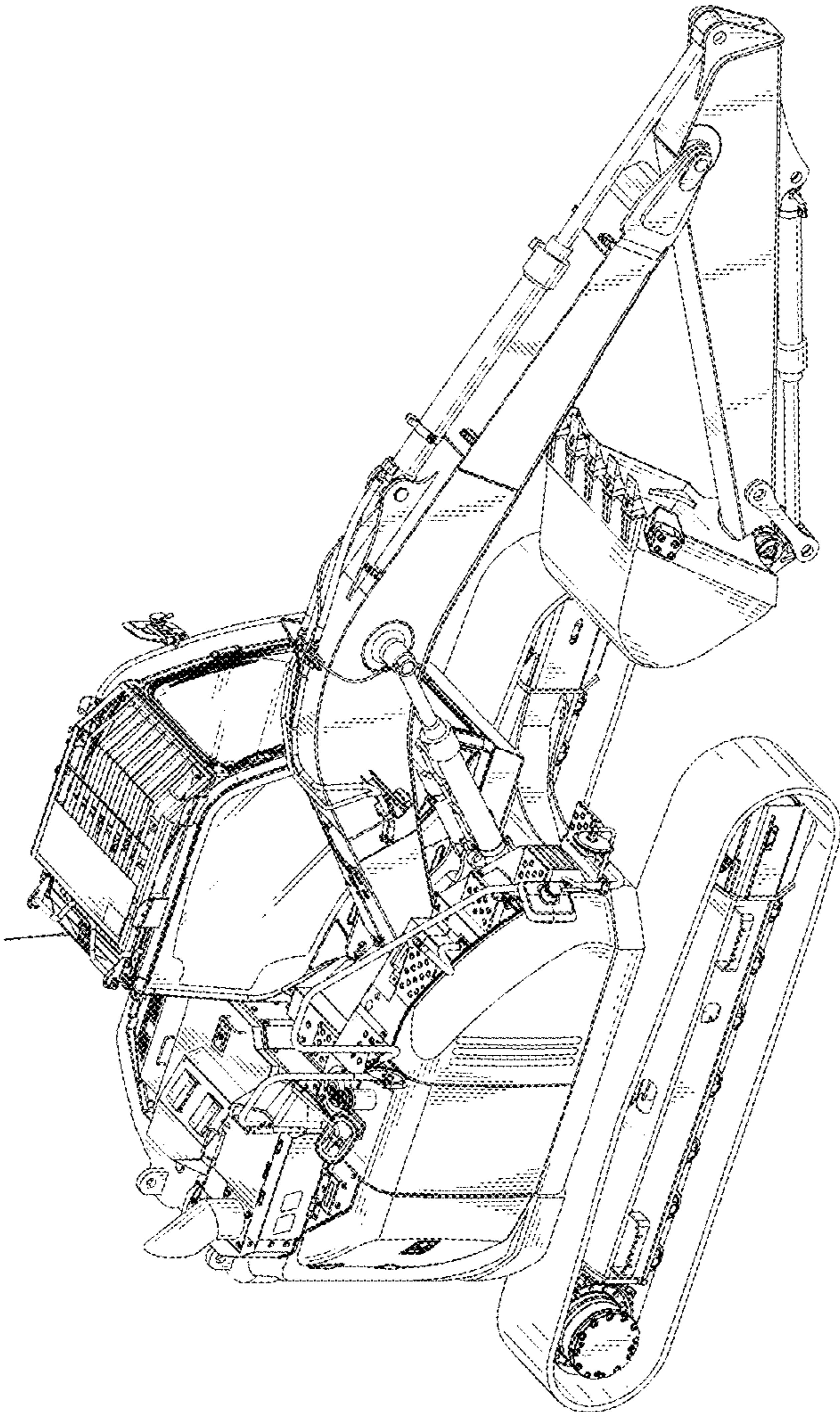


FIG. 3

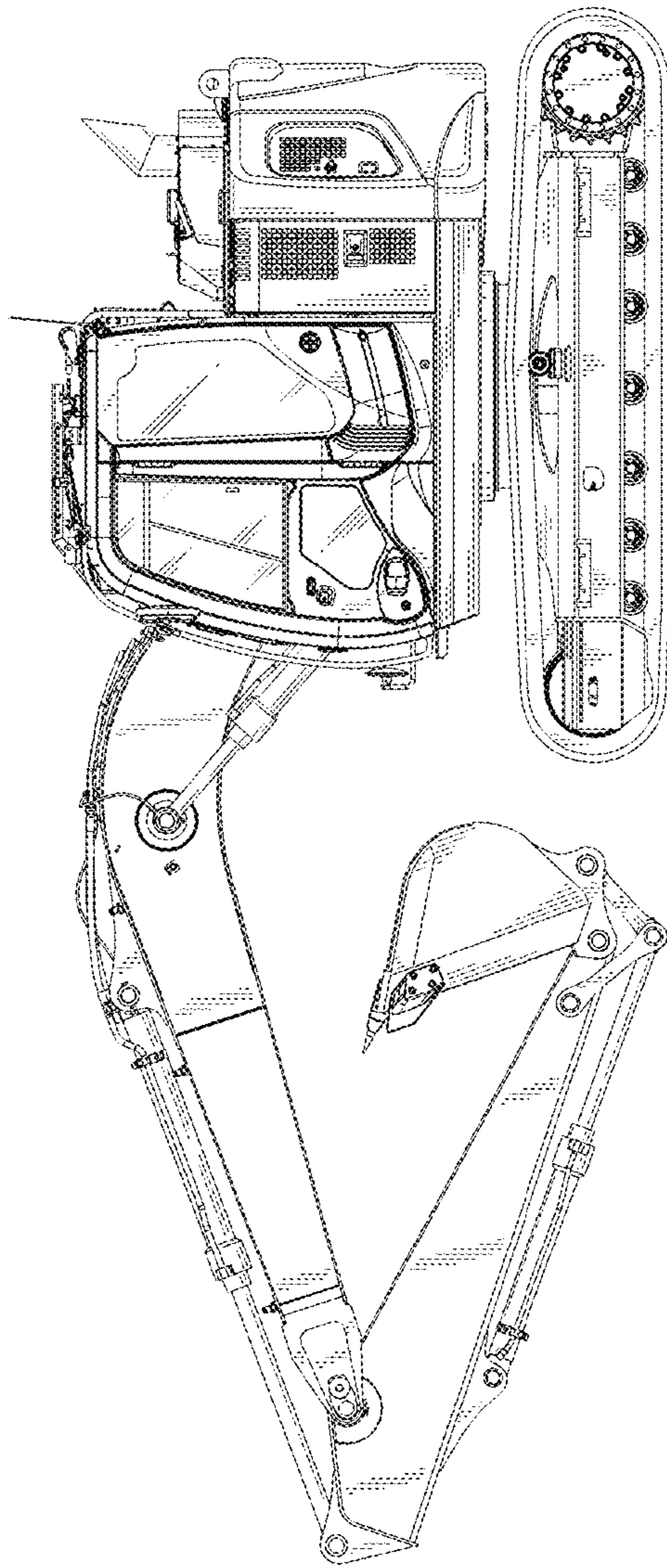


FIG. 4

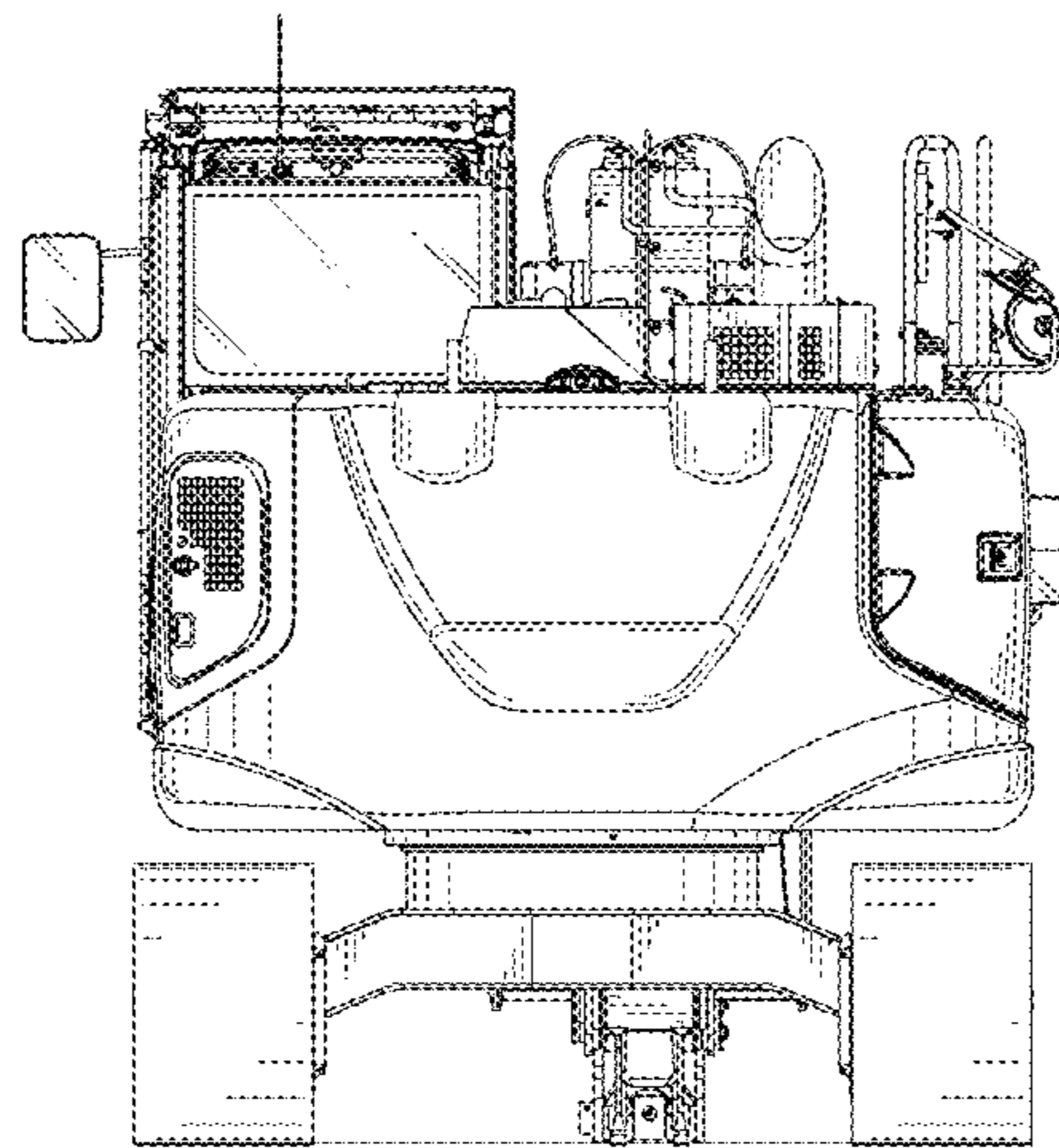


FIG. 5

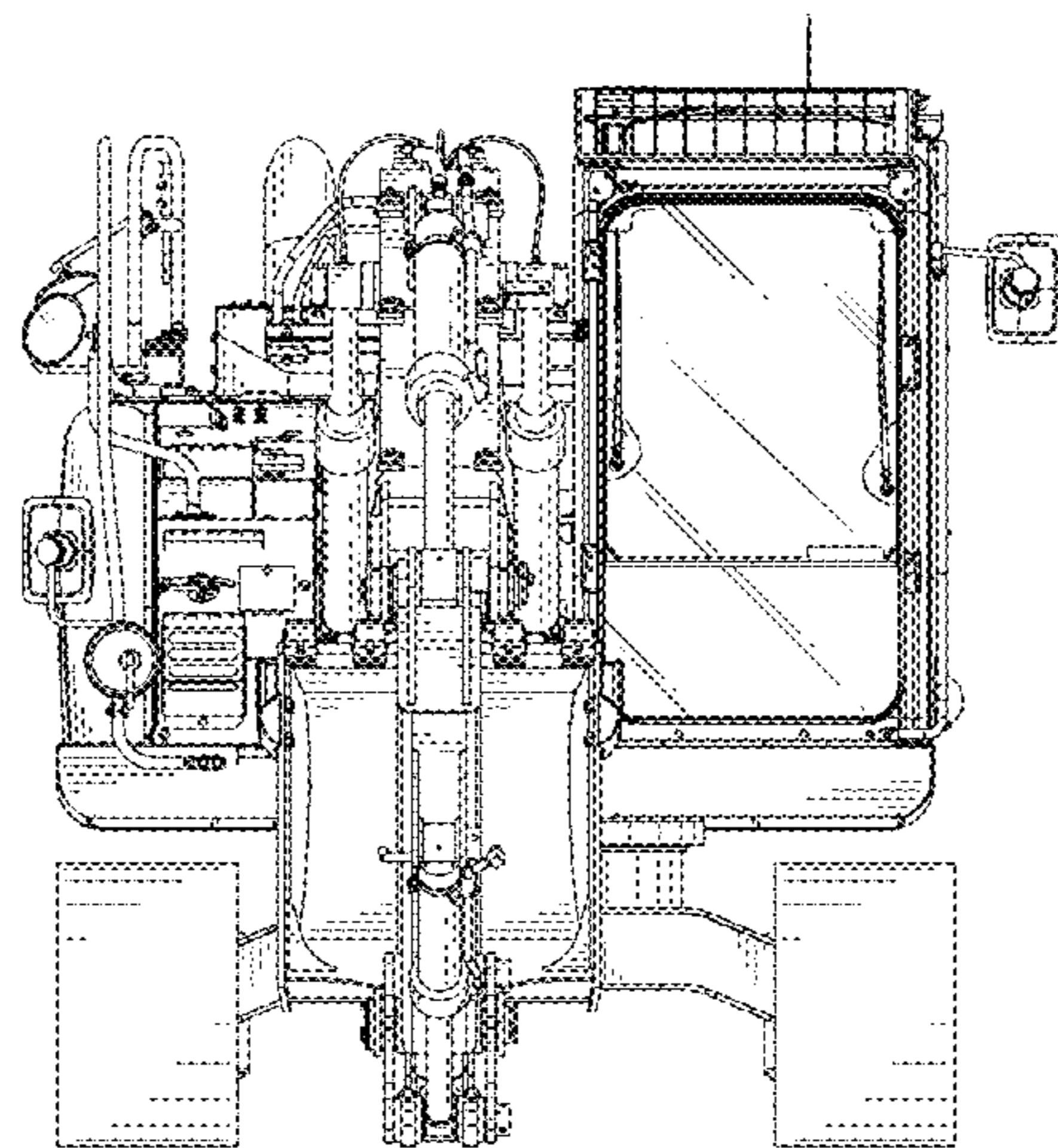


FIG. 6

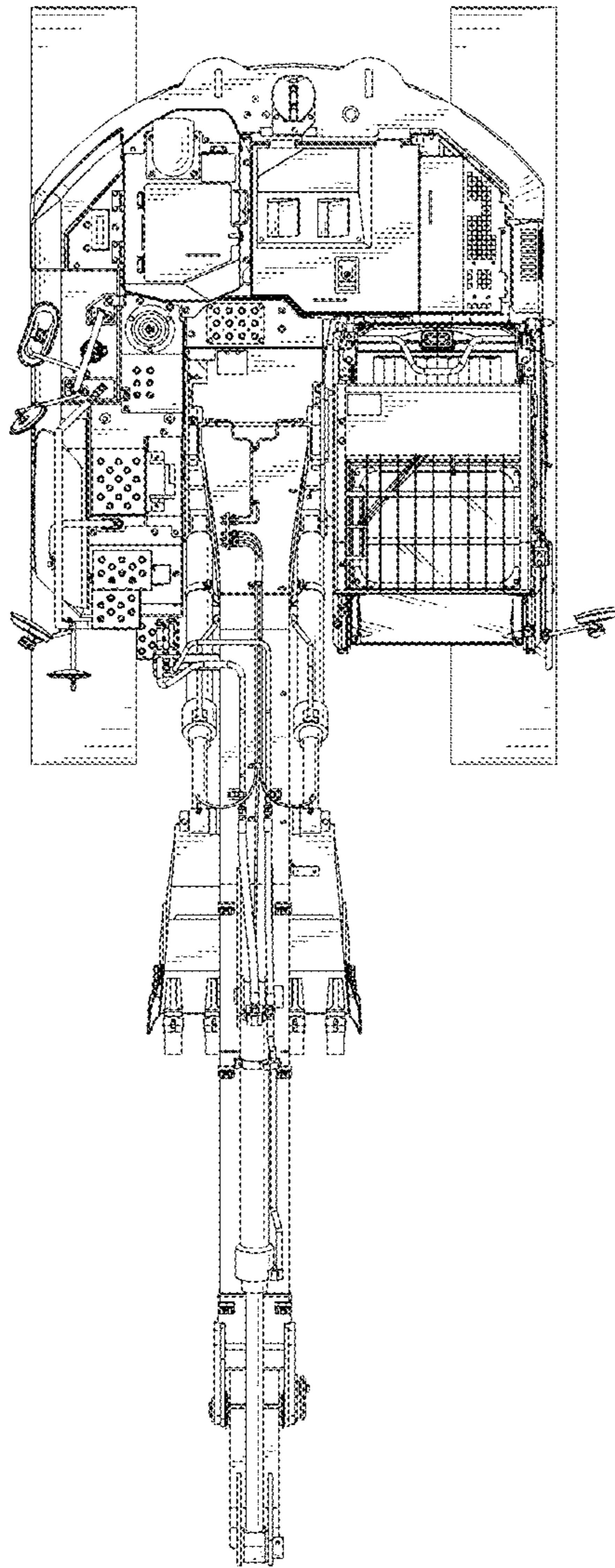


FIG. 7

