



US00D854053S

(12) **United States Design Patent** (10) **Patent No.:** **US D854,053 S**
Kraushaar (45) **Date of Patent:** **** Jul. 16, 2019**

(54) **PLATE COMPACTOR**

(71) Applicant: **TECHNIKHANDEL
ECHTERDINGEN LTD.
NIEDERLASSUNG
DEUTSCHLAND,
Leinfelden-Echterdingen (DE)**

(72) Inventor: **Peter Kraushaar, Kreuzlingen (CH)**

(**) Term: **15 Years**

(21) Appl. No.: **35/503,989**

(22) Filed: **May 12, 2017**

(80) **Hague Agreement Data**

Int. Filing Date: **May 12, 2017**
Int. Reg. No.: **DM/096113**
Int. Reg. Date: **May 12, 2017**
Int. Reg. Pub. Date: **Nov. 17, 2017**

(51) **LOC (11) Cl.** **15-03**

(52) **U.S. Cl.**
USPC **D15/20**
CPC **E02D 3/046 (2013.01)**

(58) **Field of Classification Search**
USPC D15/10-33; 404/114-117
CPC E02D 3/046; E02D 3/074
See application file for complete search history.

(56) **References Cited**

U.S. PATENT DOCUMENTS

D393,864 S * 4/1998 Waldenberger D15/20
D517,094 S * 3/2006 Stein D15/20
D518,070 S * 3/2006 Schennach D15/20
D542,810 S * 5/2007 Tanaka D15/147
D604,334 S * 11/2009 Hu D15/20

D604,335 S * 11/2009 Hu D15/20
D631,896 S * 2/2011 Spies D15/20
D633,531 S * 3/2011 von Richthofen D15/20
D638,861 S * 5/2011 Bartl D15/20
D652,847 S * 1/2012 Bartl D15/20
D653,678 S * 2/2012 Bartl D15/20
D661,710 S * 6/2012 Bartl D15/20
D760,301 S * 6/2016 Alberti D15/20
2006/0083590 A1 * 4/2006 Schennach E02D 3/046
404/133.1
2008/0003058 A1 * 1/2008 Persson E01C 19/238
404/133.1
2008/0247824 A1 * 10/2008 Steffen E01C 19/38
404/133.05
2009/0035065 A1 * 2/2009 Gavins E02D 3/046
404/114

* cited by examiner

Primary Examiner — Richard E Chilcot

(57) **CLAIM**

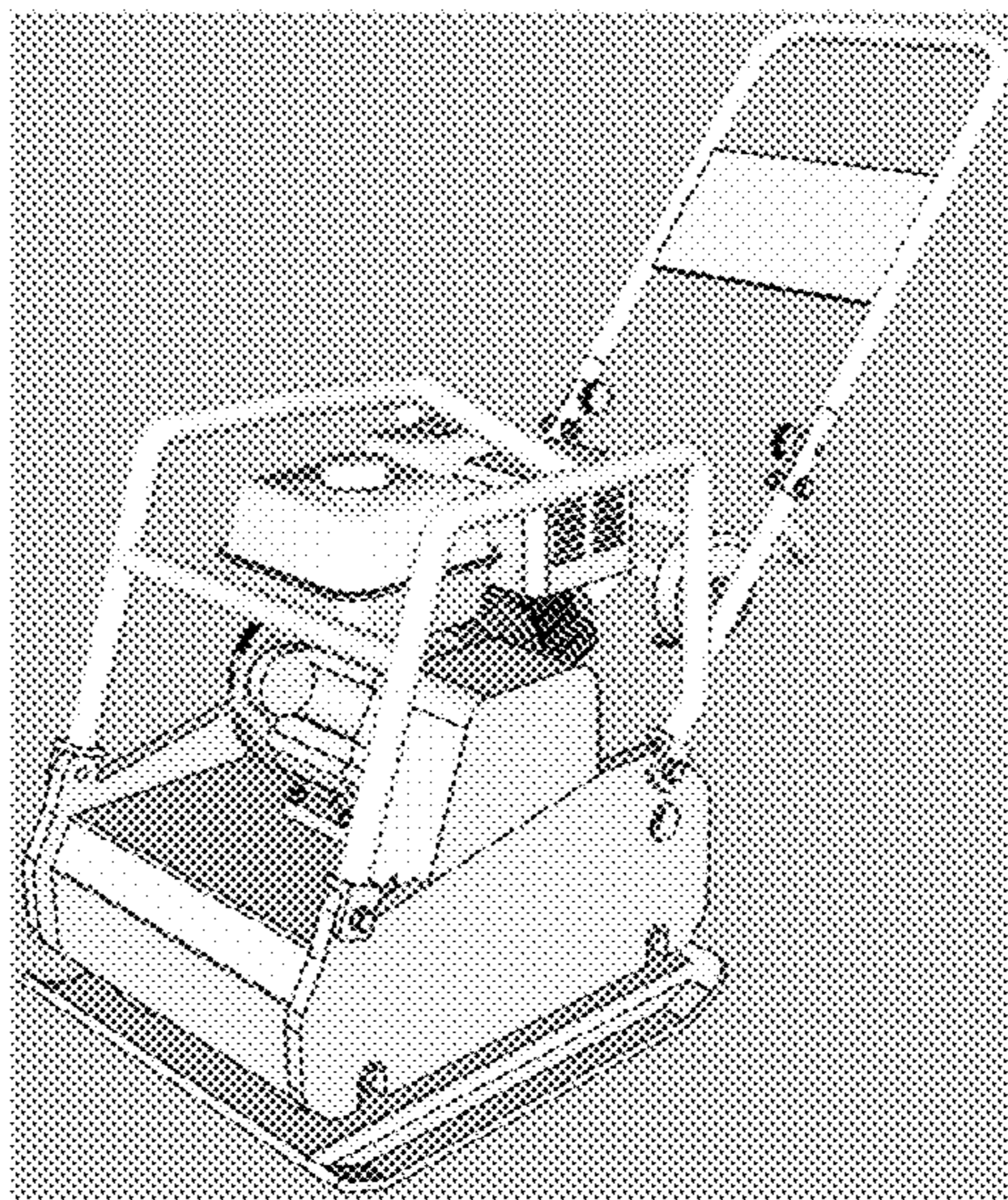
The ornamental design for a plate compactor, as shown and described.

DESCRIPTION

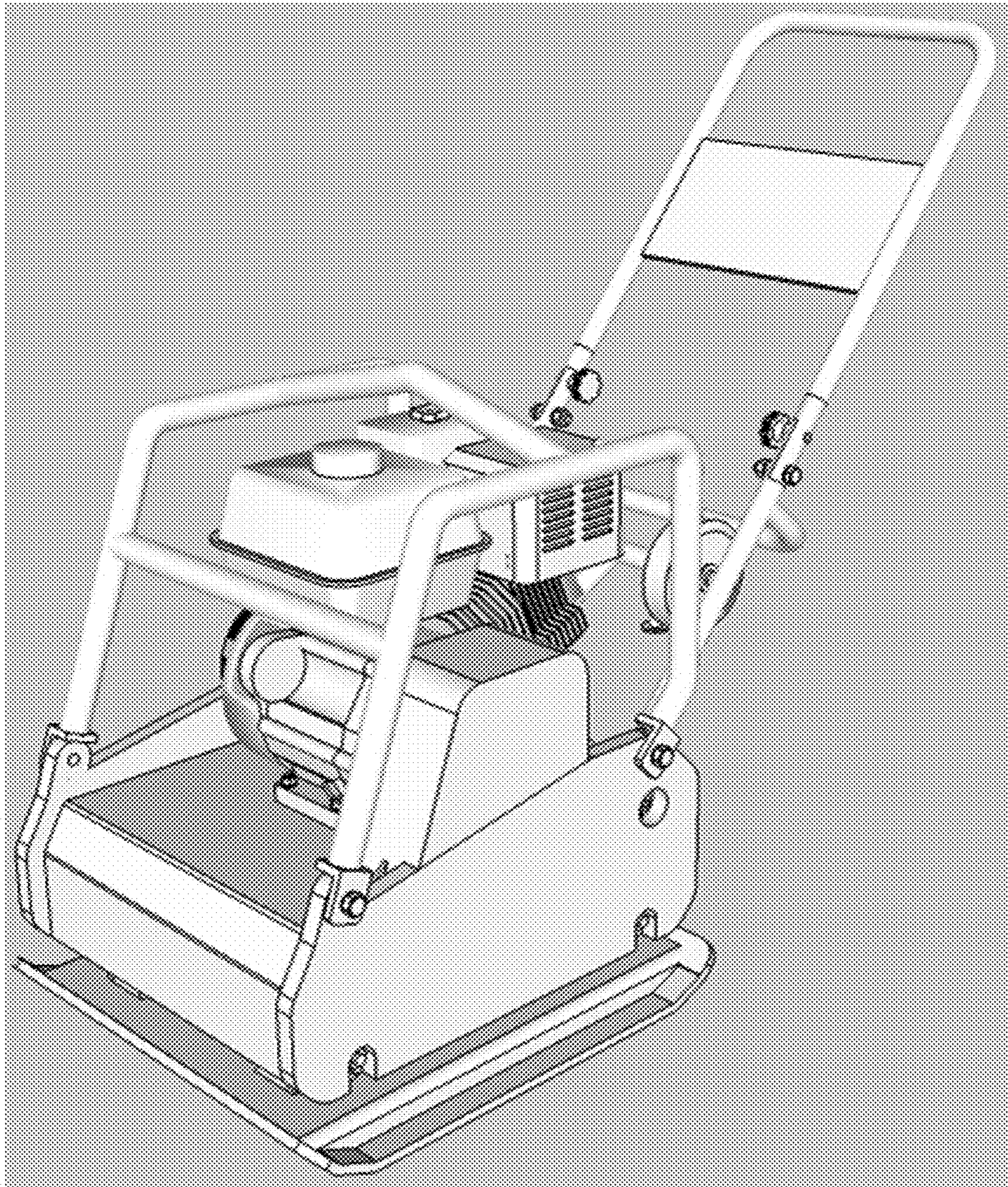
The patent or application file contains at least one drawing executed in color. Copies of this patent or patent application publication with color drawing(s) will be provided by the Office upon request and payment of the necessary fee.

- 1. Plate compactor
- 1.1 : Perspective
- 1.2 : Perspective
- 1.3 : Left
- 1.4 : Right
- 1.5 : Top
- 1.6 : Front
- 1.7 : Back

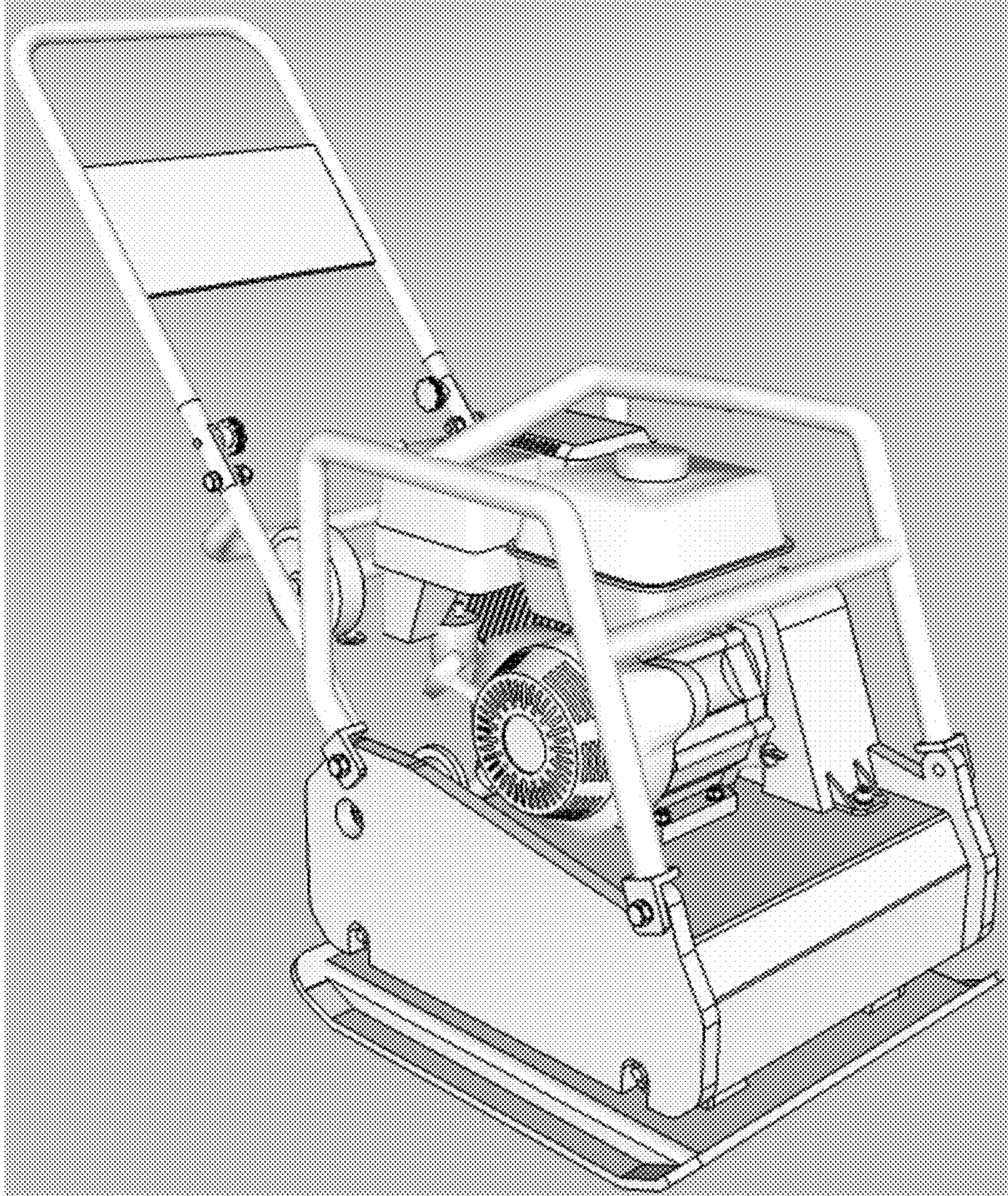
1 Claim, 7 Drawing Sheets
(7 of 7 Drawing Sheet(s) Filed in Color)



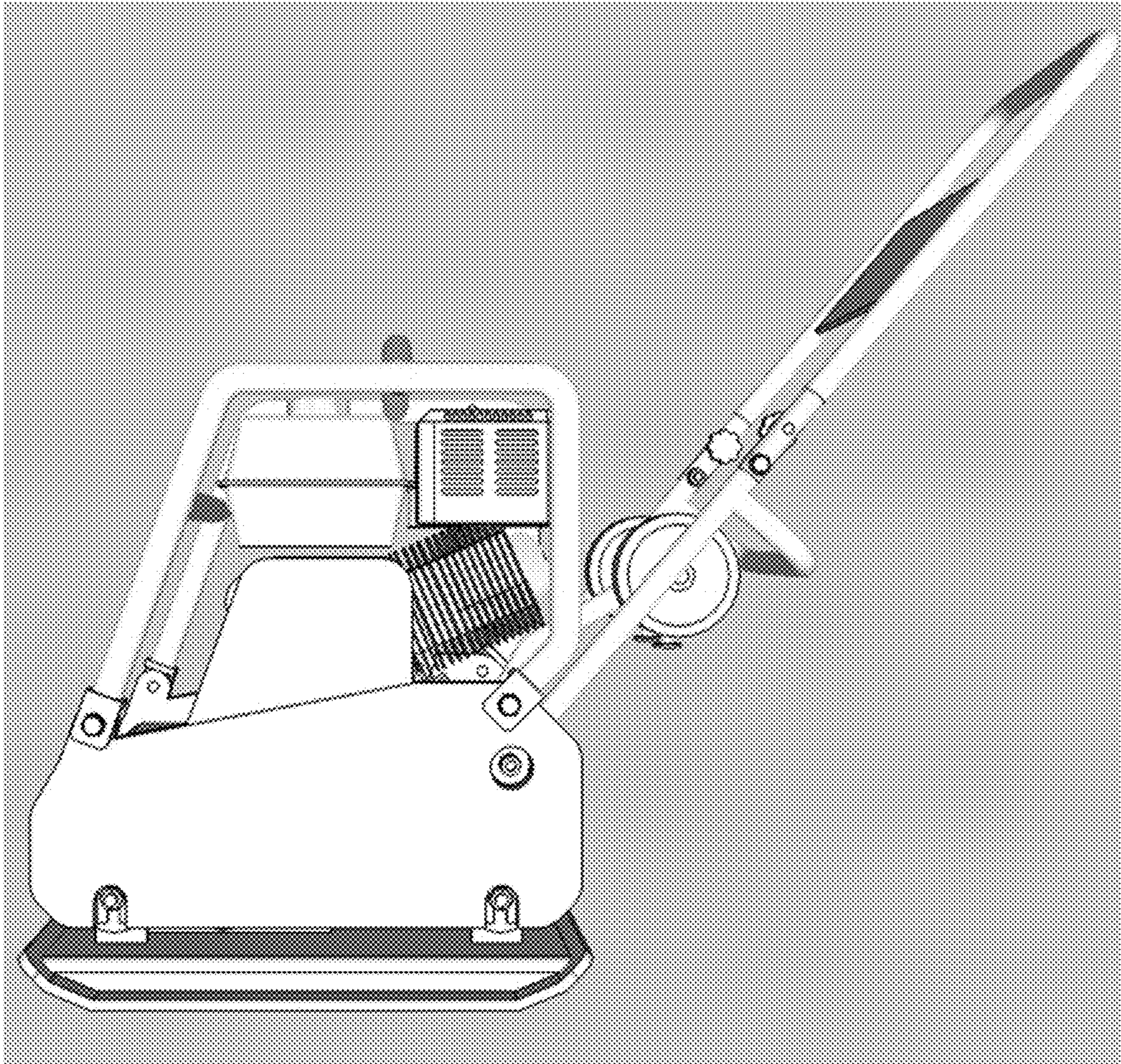
1.1



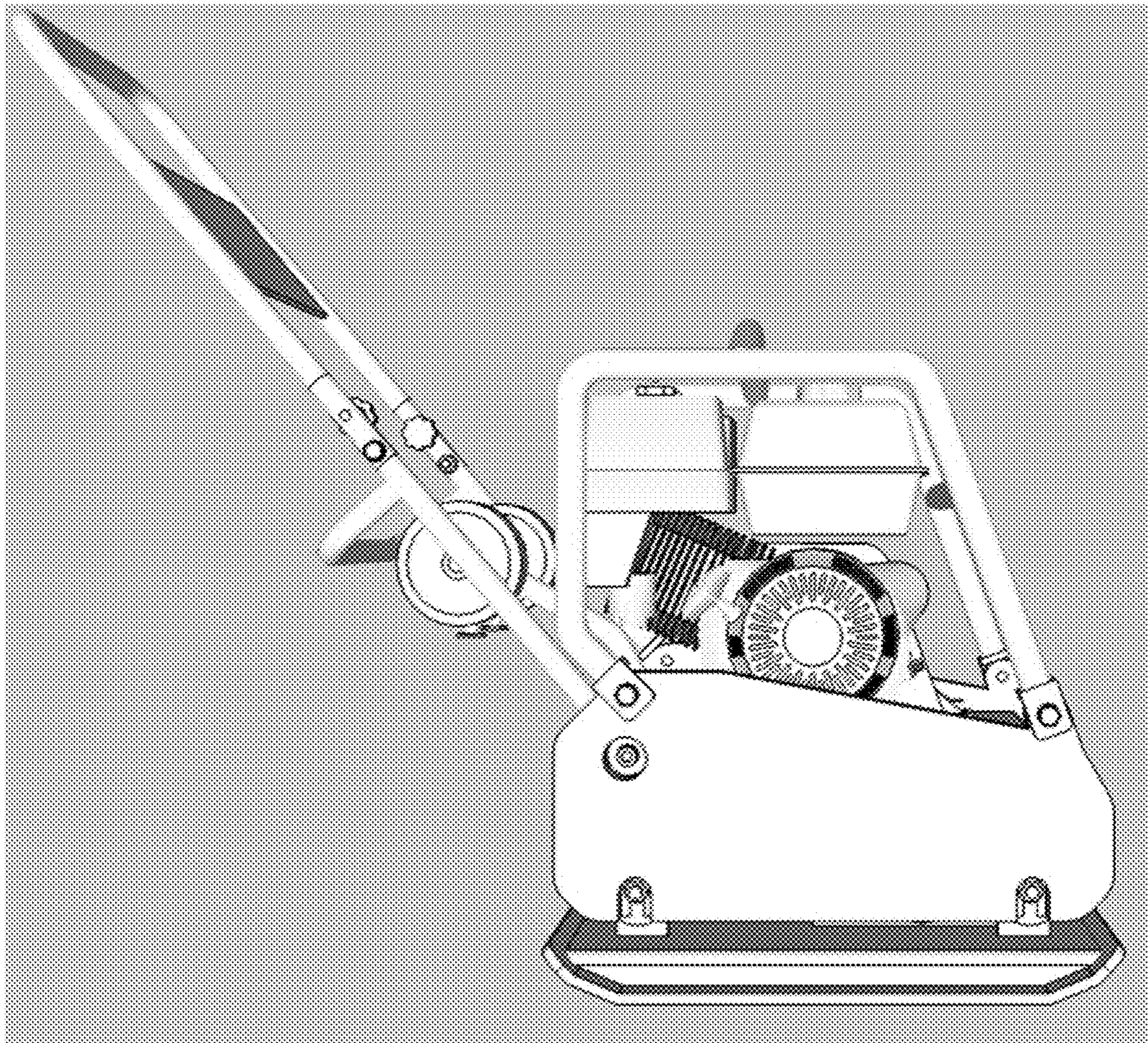
1.2



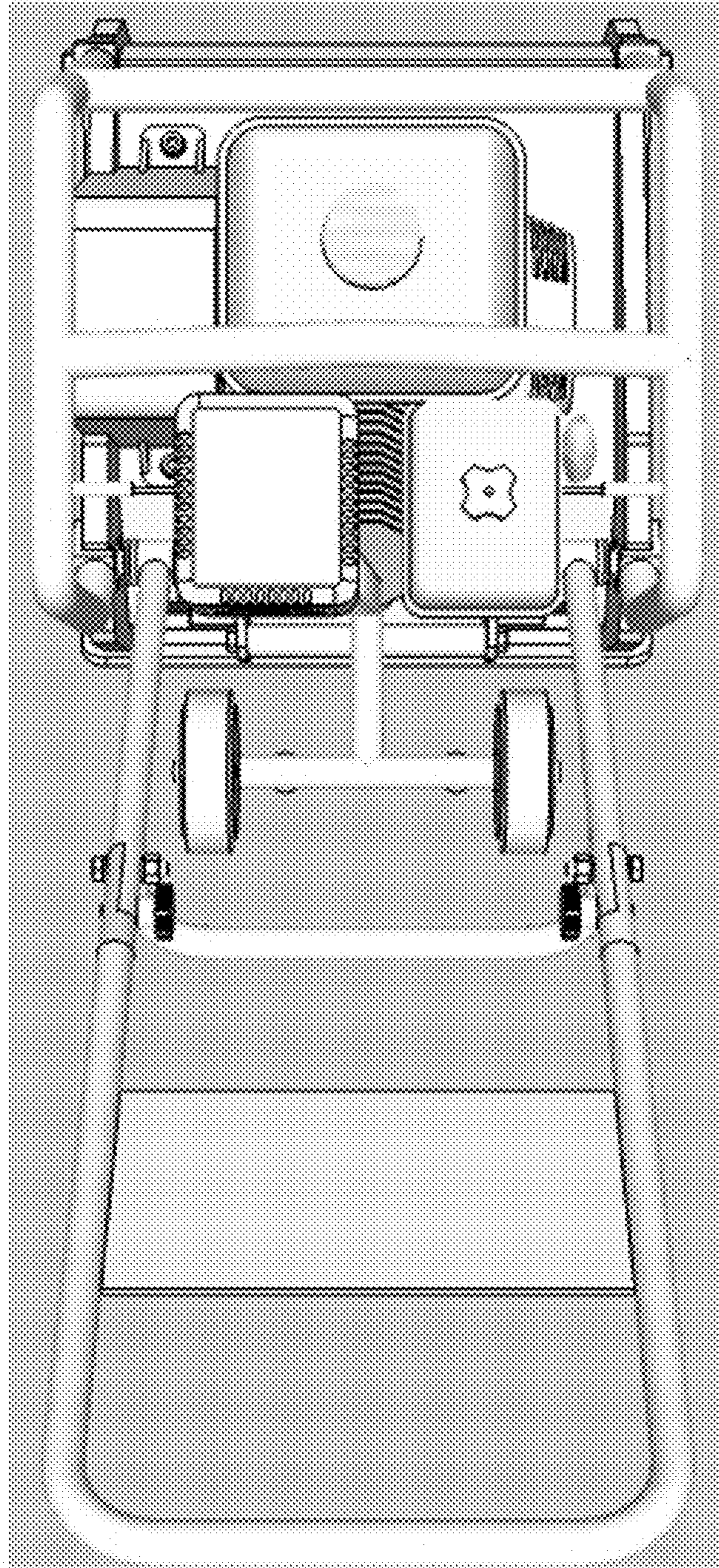
1.3



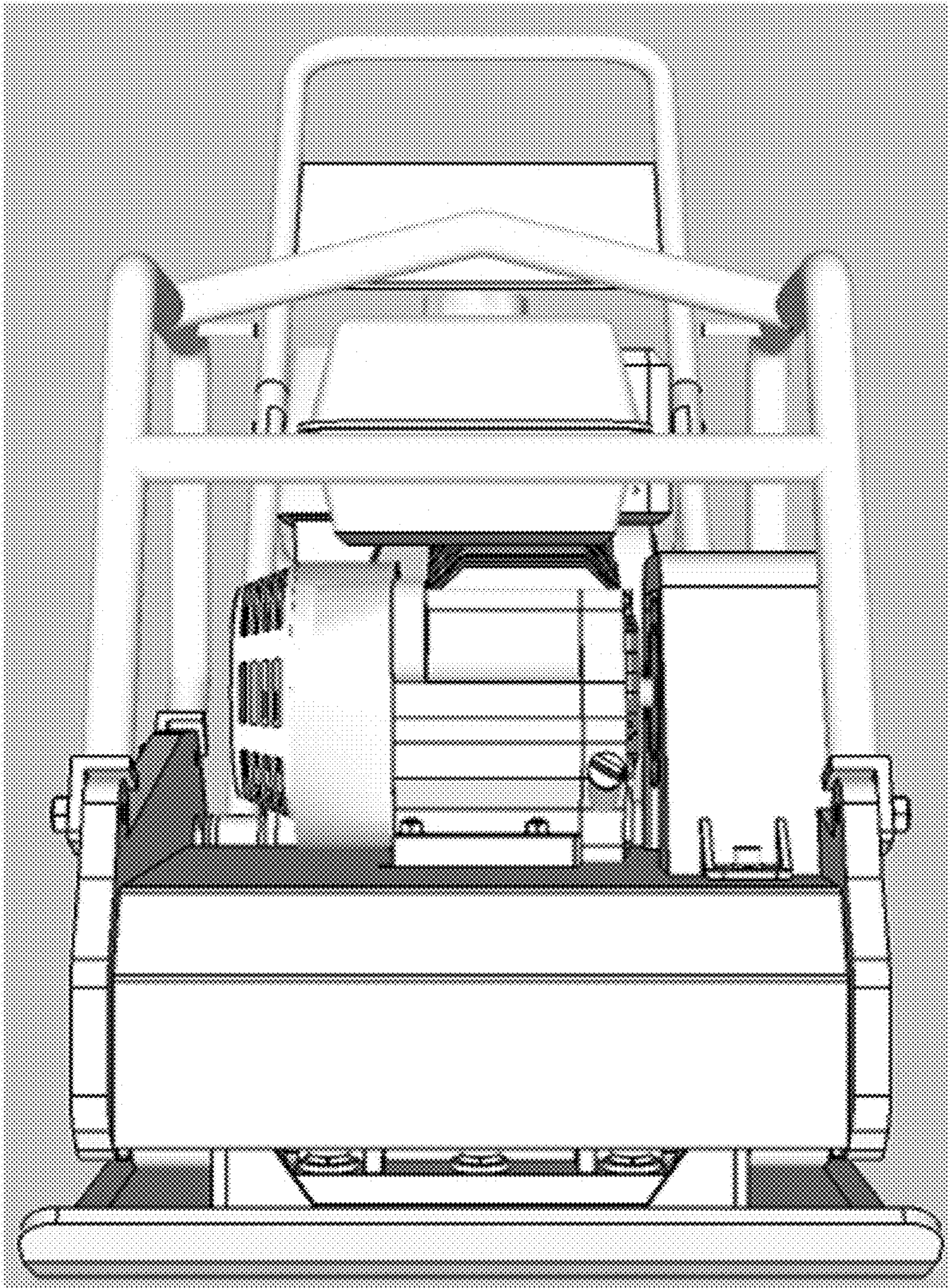
1.4



1.5



1.6



1.7

