



US00D854051S

(12) **United States Design Patent**
Haggard

(10) **Patent No.:** **US D854,051 S**
(45) **Date of Patent:** **** Jul. 16, 2019**

- (54) **ABSORBENT SPREADER**
- (71) Applicant: **Samuel Haggard**, Independence, MO (US)
- (72) Inventor: **Samuel Haggard**, Independence, MO (US)
- (**) Term: **15 Years**
- (21) Appl. No.: **29/637,662**
- (22) Filed: **Feb. 21, 2018**
- (51) **LOC (11) Cl.** **15-03**
- (52) **U.S. Cl.**
USPC **D15/13**
- (58) **Field of Classification Search**
USPC D15/11, 13, 14, 16, 17, 18, 21, 27, 28;
222/625, 502, 45, 228, 162, 174, 614,
222/624, 650, 608; 239/681-689, 666,
239/663, 650, 652, 655, 664, 665
CPC E01C 19/2005; E01C 19/20; E01C
2019/206; E01H 10/007; B05B 9/007;
A01C 7/02; A01C 15/02; A01C 17/008;
A01G 29/00
See application file for complete search history.

(56) **References Cited**

U.S. PATENT DOCUMENTS

- 2,661,955 A * 12/1953 Sherer A01C 17/00
222/136
- 4,032,074 A * 6/1977 Amerine A01C 15/008
222/623
- 4,381,080 A * 4/1983 van der Lely A01C 17/00
239/666
- D282,931 S * 3/1986 Doering D15/13
- 4,580,730 A * 4/1986 Amerine A01C 17/00
239/683
- D284,666 S * 7/1986 Amerine D15/13
- D338,893 S * 8/1993 Simpson D15/13
- D368,914 S * 4/1996 Pink D15/13

- 5,524,558 A * 6/1996 Pierzchalski A01C 15/122
111/170
- 5,570,814 A * 11/1996 Havlovitz A01C 15/02
222/235
- D376,155 S * 12/1996 Havlovitz D15/13
- D413,903 S * 9/1999 Spear D15/13
- D413,904 S * 9/1999 Spear D15/13
- D414,783 S * 10/1999 Spear D15/13
- 6,138,927 A * 10/2000 Spear A01C 15/02
239/666
- 6,499,679 B1 * 12/2002 Woodruff A01C 15/02
239/650
- 6,616,074 B2 * 9/2003 Courtney A01C 15/008
239/666

(Continued)

Primary Examiner — Mark A Goodwin

(74) *Attorney, Agent, or Firm* — The Iwashko Law Firm, PLLC; Lev Ivan Gabriel Iwashko

(57) **CLAIM**

The ornamental design for an absorbent spreader, as shown and described.

DESCRIPTION

FIG. 1 is a top-angled view of an absorbent spreader, according to an exemplary embodiment of the present general inventive concept;

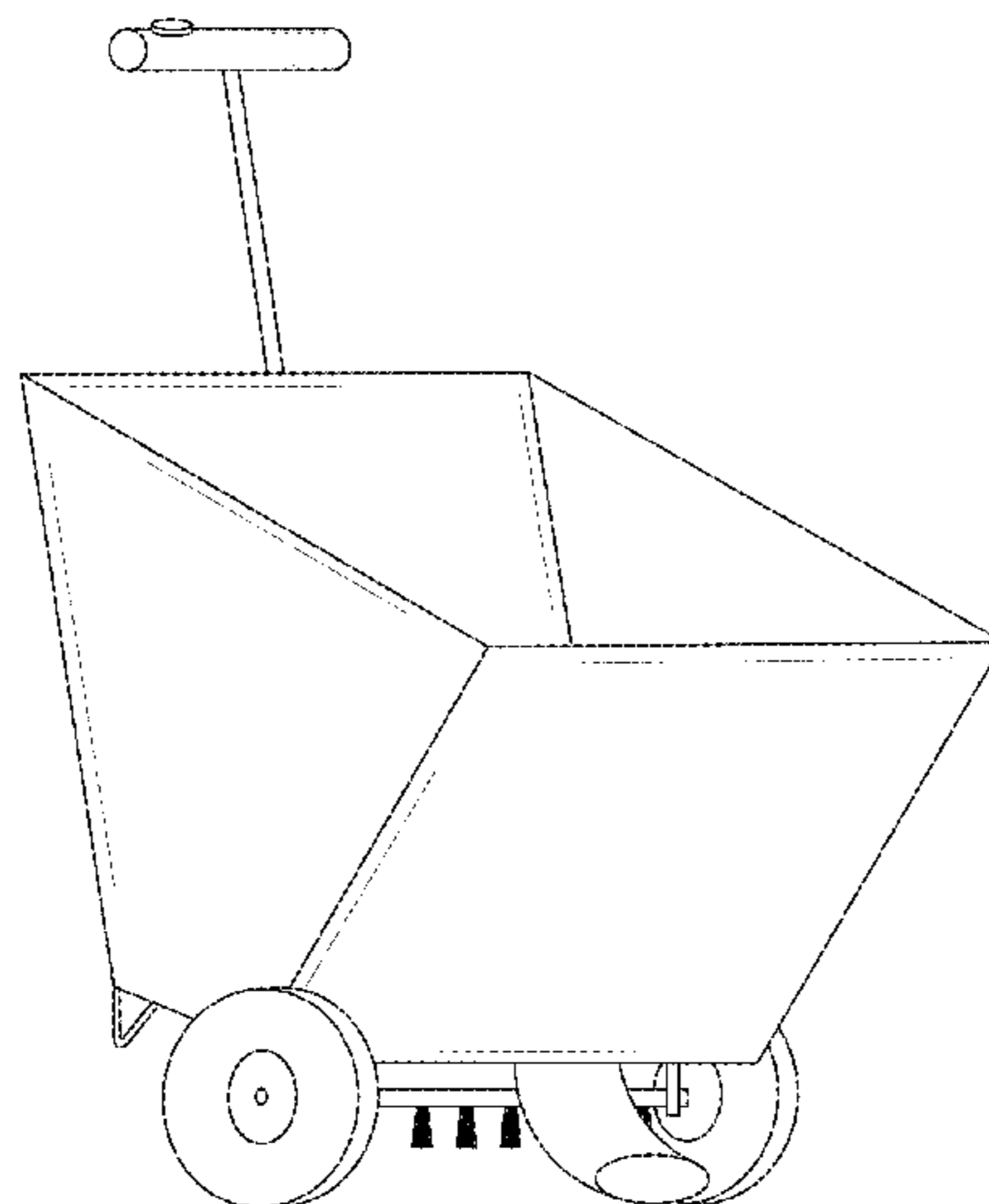
FIG. 2 is a top view of an absorbent spreader, according to an exemplary embodiment of the present general inventive concept;

FIG. 3 is a bottom view of an absorbent spreader, according to an exemplary embodiment of the present general inventive concept;

FIG. 4 is a rear view of an absorbent spreader, according to an exemplary embodiment of the present general inventive concept; and,

FIG. 5 is a side view of an absorbent spreader, according to an exemplary embodiment of the present general inventive concept.

1 Claim, 5 Drawing Sheets



(56)

References Cited

U.S. PATENT DOCUMENTS

6,945,481 B2 * 9/2005 Thompson A01C 7/08
239/650
7,063,280 B1 * 6/2006 Bogart A01C 17/008
239/505
D556,787 S * 12/2007 Taber D15/13
D602,045 S * 10/2009 Choi D15/13
D602,046 S * 10/2009 Choi D15/13
D610,590 S * 2/2010 Choi D15/13
D610,591 S * 2/2010 Choi D15/13
D623,667 S * 9/2010 Cichy D15/13
8,011,120 B1 * 9/2011 Hipple E01C 19/203
239/659
8,056,838 B2 * 11/2011 Conner A01C 17/006
222/625
D689,527 S * 9/2013 MacLean-Blevins D15/13
D724,105 S * 3/2015 Kendall D15/13
9,233,382 B2 * 1/2016 Ossian E01H 5/04
D758,454 S * 6/2016 Kendall D15/13
D768,729 S * 10/2016 Long D15/10
D824,428 S * 7/2018 Stewart D15/13
D829,773 S * 10/2018 Stewart D15/13
2008/0078850 A1 * 4/2008 Bowsher A01C 17/008
239/687
2015/0059517 A1 * 3/2015 Calloway A01C 15/02
74/523
2017/0312777 A1 * 11/2017 Fontaine B05B 15/68

* cited by examiner

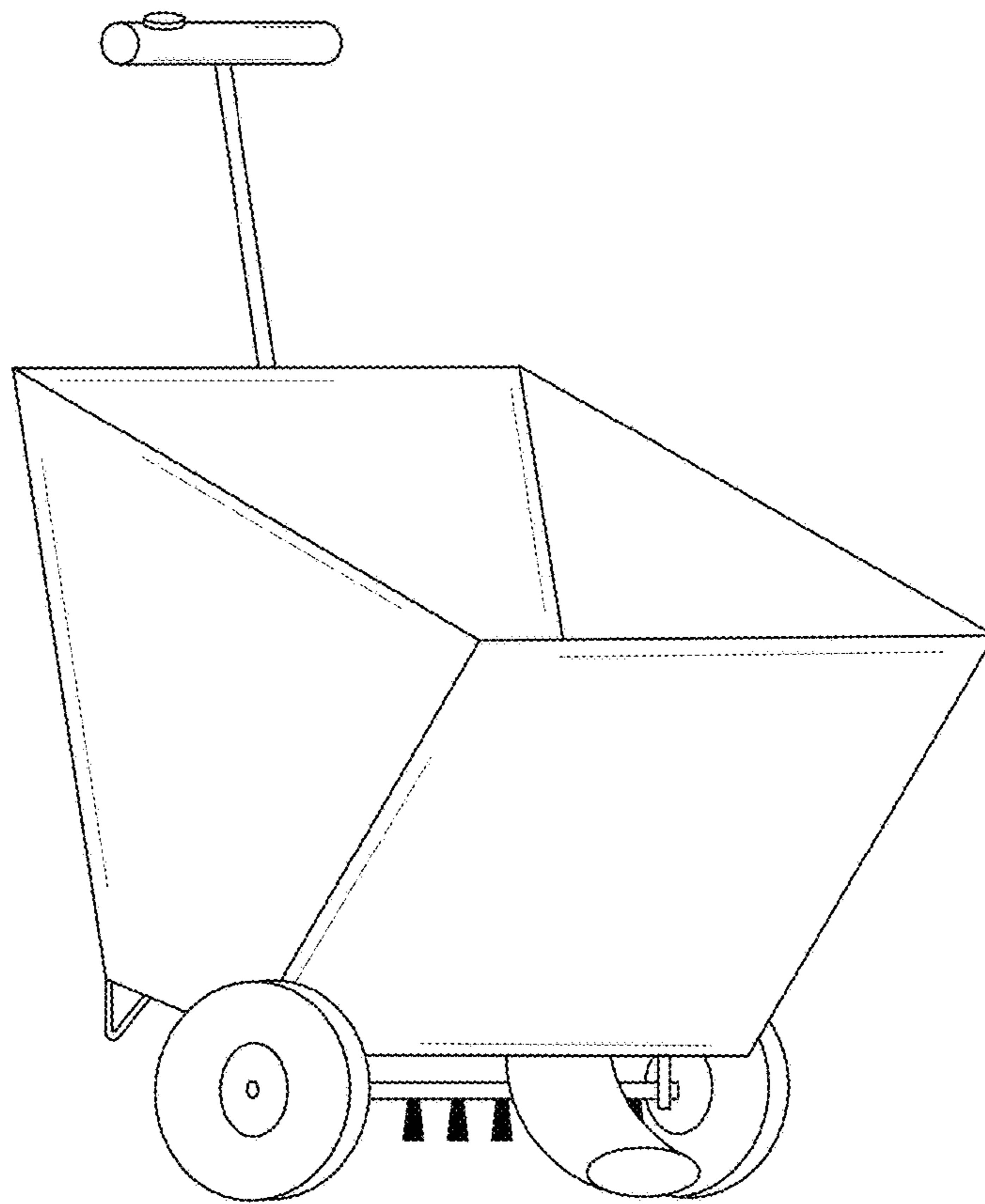


FIG. 1

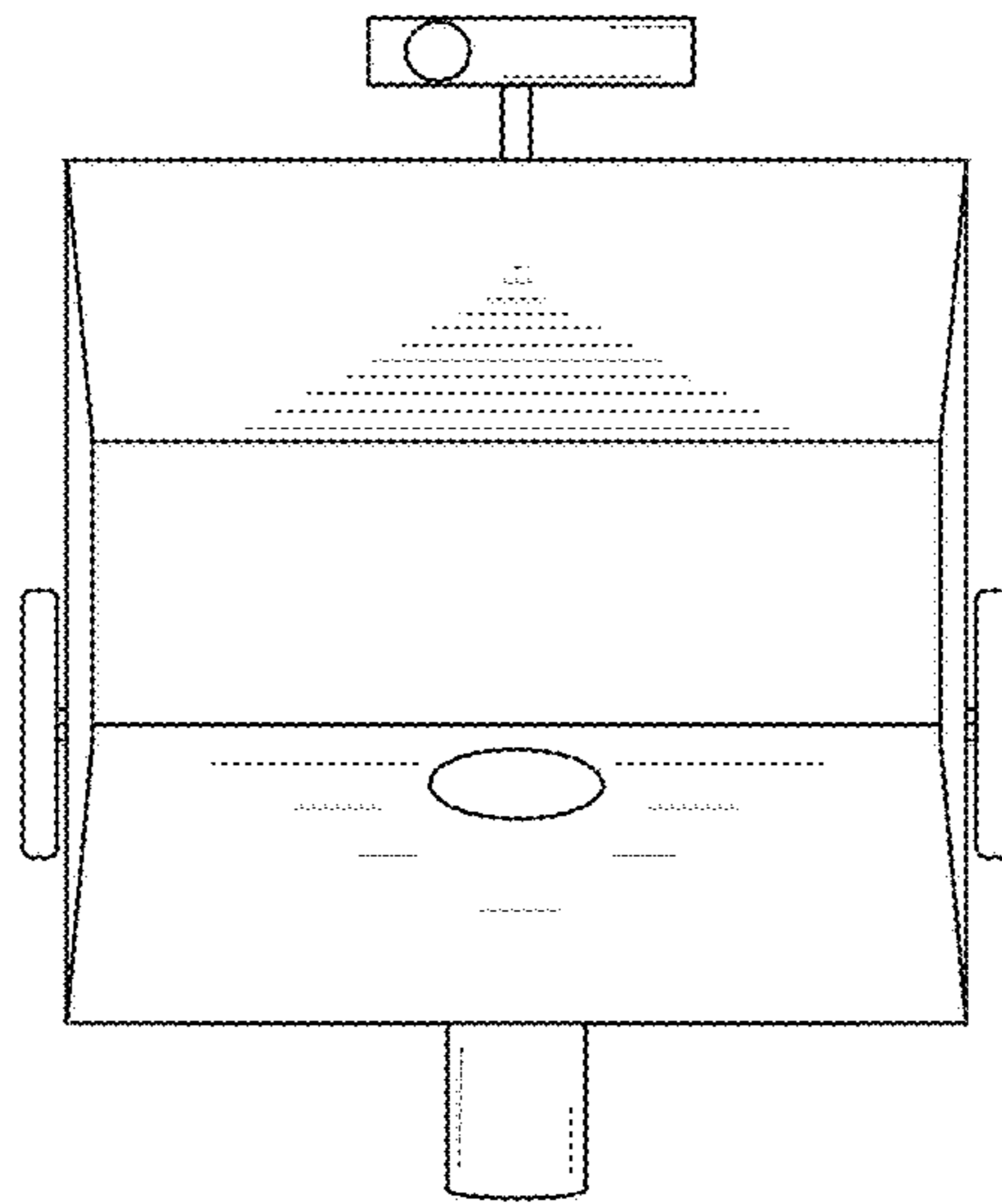


FIG. 2

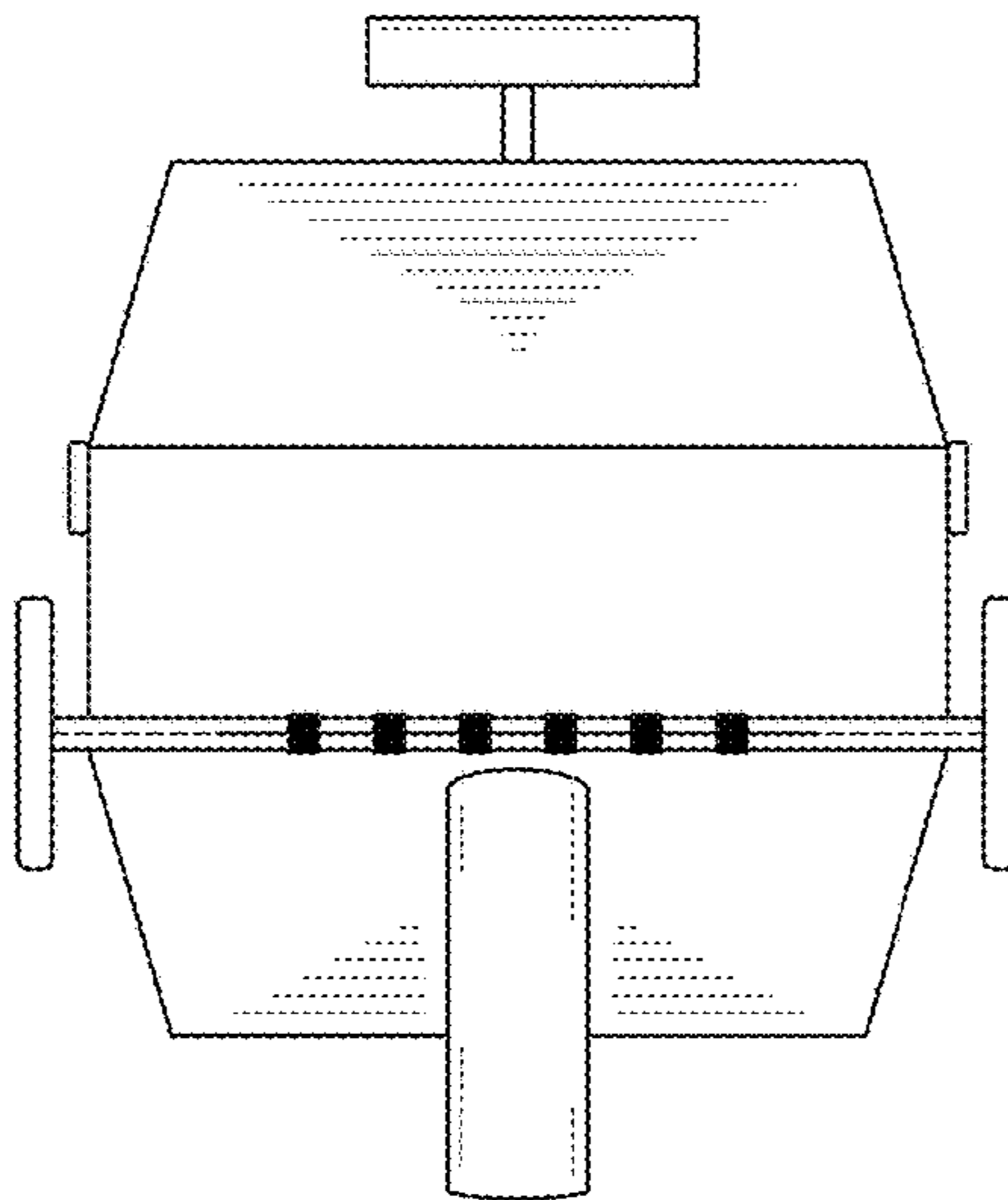


FIG. 3

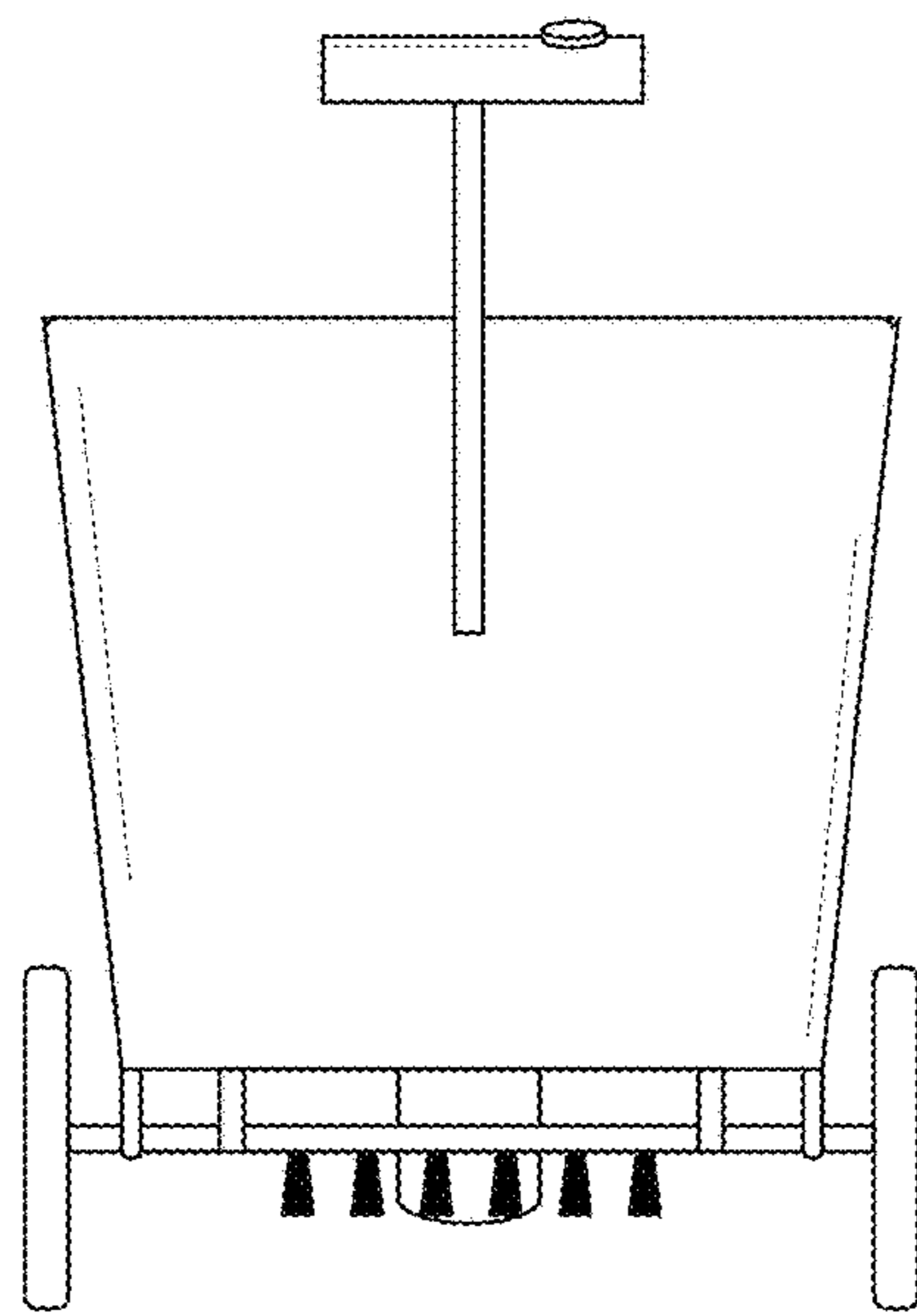


FIG. 4

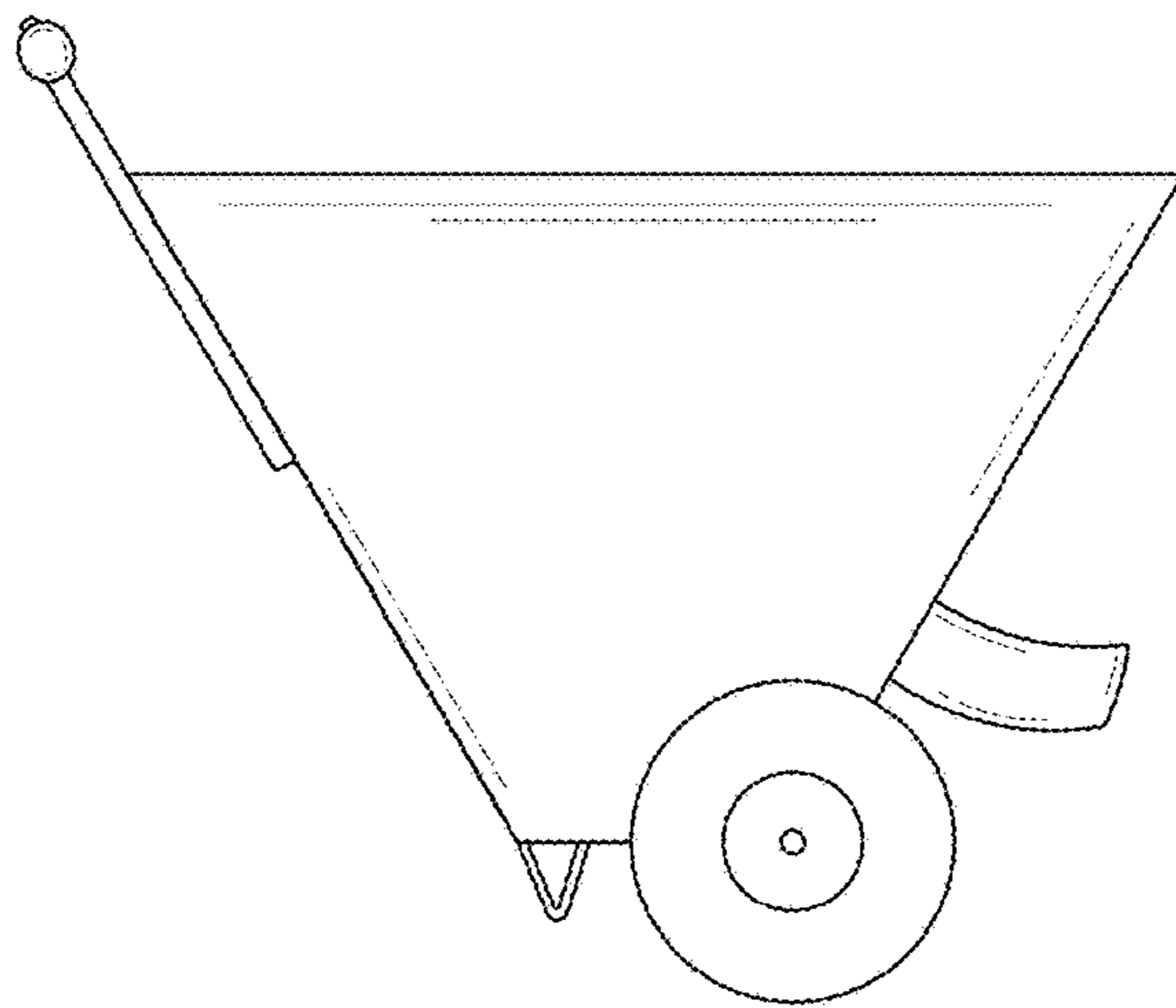


FIG. 5